



US00D672767S

(12) **United States Design Patent**  
**Yoneya et al.**

(10) **Patent No.:** **US D672,767 S**

(45) **Date of Patent:** **\*\* Dec. 18, 2012**

(54) **HANDHELD COMPUTER**

(75) Inventors: **Kiyoshi Yoneya**, Osaka (JP); **Yoshitaka Sugimoto**, Hyogo (JP)

(73) Assignee: **Panasonic Corporation**, Osaka (JP)

(\*\*) Term: **14 Years**

(21) Appl. No.: **29/392,505**

(22) Filed: **May 23, 2011**

(30) **Foreign Application Priority Data**

Mar. 11, 2011 (JP) ..... 2011-005618

(51) **LOC (9) Cl.** ..... **14-02**

(52) **U.S. Cl.** ..... **D14/341**

(58) **Field of Classification Search** ..... D14/341-347,  
D14/137, 138, 138.1, 138 A, 138 AA, 138 R,  
D14/138 AB, 138 AC, 138 AD, 138 C, 138 G,  
D14/496, 203.1, 203.3, 203.4, 203.5, 203.7,  
D14/426, 427, 432, 429, 129, 130, 420, 439-441,  
D14/448, 125, 126, 147, 156, 218, 247-248,  
D14/250, 389, 388, 315-318; D10/65, 104;  
D18/6-7; D21/324, 329, 330; D19/26, 59,  
D19/60; 455/556.1, 556.2, 566, 575.1, 90.3;  
379/433.04, 433.01, 433.06, 916; 345/169,  
345/173, 901, 905; 361/679.26, 679.27,  
361/679.3, 679.55, 679.56

See application file for complete search history.

(56) **References Cited**

**U.S. PATENT DOCUMENTS**

6,028,765 A \* 2/2000 Swindler et al. .... 361/679.55  
D441,359 S \* 5/2001 Iseki et al. .... D14/341  
D481,718 S \* 11/2003 Chiang et al. .... D14/341  
D494,174 S \* 8/2004 Hsu Li ..... D14/374

D548,734 S \* 8/2007 Huttunen et al. .... D14/341  
D563,804 S \* 3/2008 Kimura et al. .... D10/65  
D579,801 S \* 11/2008 Tan ..... D10/65  
D592,214 S \* 5/2009 Bradford ..... D14/371  
D597,541 S \* 8/2009 Kazma et al. .... D14/341  
D601,557 S \* 10/2009 Wesolek ..... D14/341  
D638,834 S \* 5/2011 Wesolek ..... D14/341  
D645,036 S \* 9/2011 Jones et al. .... D14/341  
D654,498 S \* 2/2012 Hwang et al. .... D14/341  
D654,499 S \* 2/2012 Wesolek ..... D14/346  
D656,935 S \* 4/2012 Jones et al. .... D14/341

**FOREIGN PATENT DOCUMENTS**

CN 300795374 6/2008  
JP 2001-36161 2/2001  
JP 2001-36215 2/2001  
JP 2001-36350 2/2001  
JP 2001-59890 3/2001  
JP 2001-81678 3/2001  
JP 2001-82600 3/2001

\* cited by examiner

*Primary Examiner* — Barbara Fox

(74) *Attorney, Agent, or Firm* — Brinks Hofer Gilson & Lione

(57) **CLAIM**

We claim the ornamental design for a handheld computer, as shown and described.

**DESCRIPTION**

FIG. 1 is a front perspective view of a handheld computer of the present invention;

FIG. 2 is a front view thereof;

FIG. 3 is a rear view thereof;

FIG. 4 is a first side view thereof;

FIG. 5 is a second side view thereof;

FIG. 6 is a top view thereof; and,

FIG. 7 is a bottom view thereof.

**1 Claim, 5 Drawing Sheets**

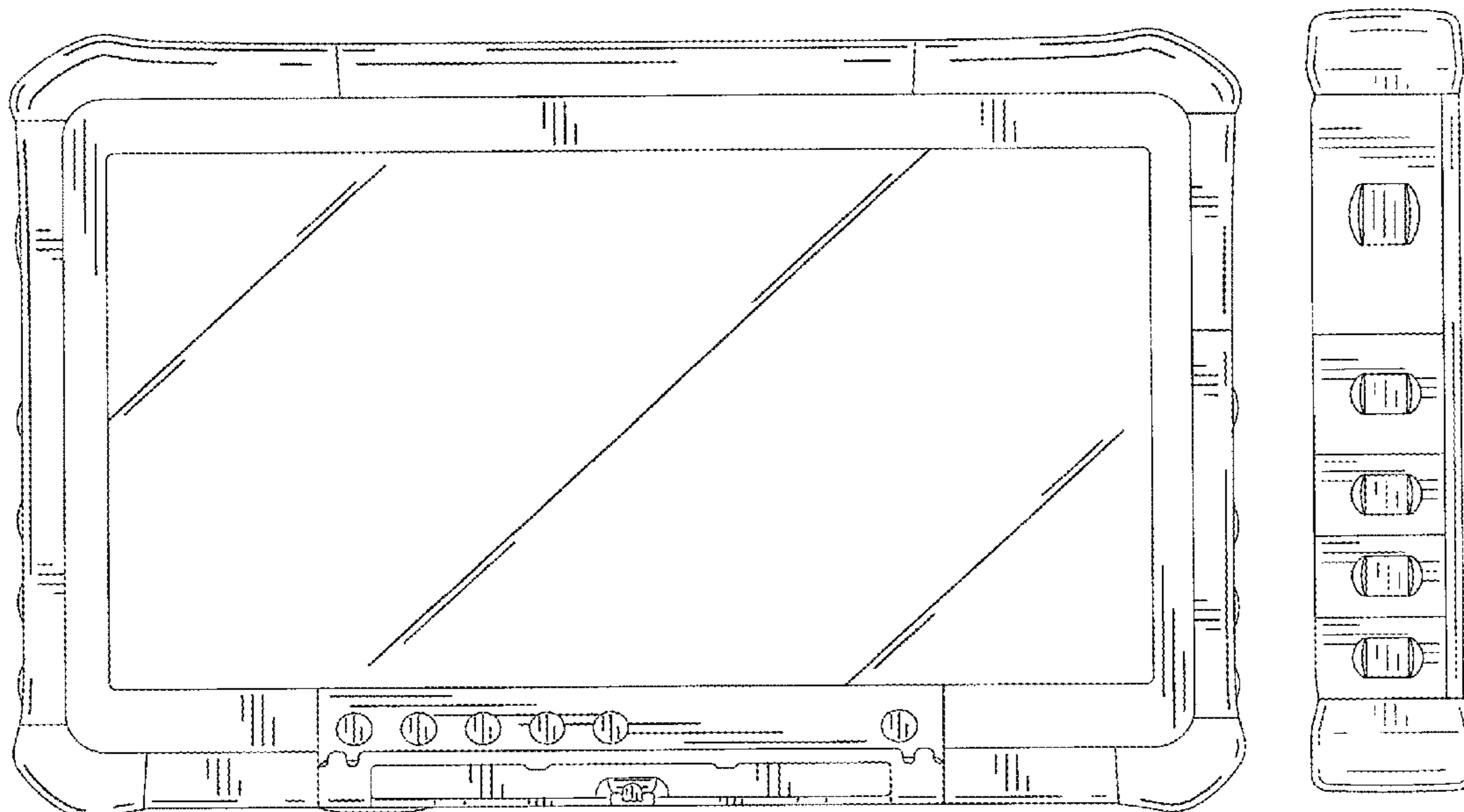


FIG.1

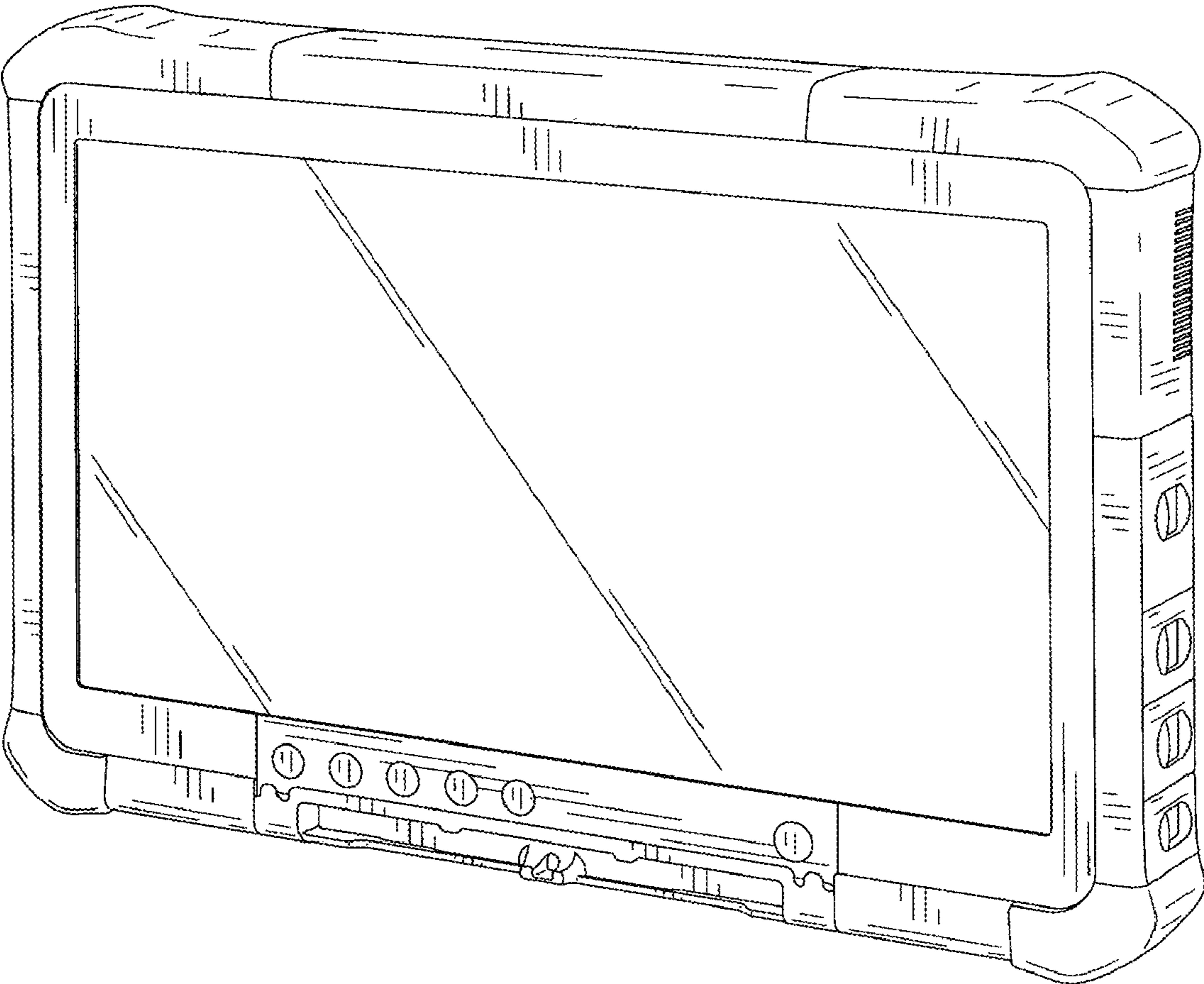


FIG.2

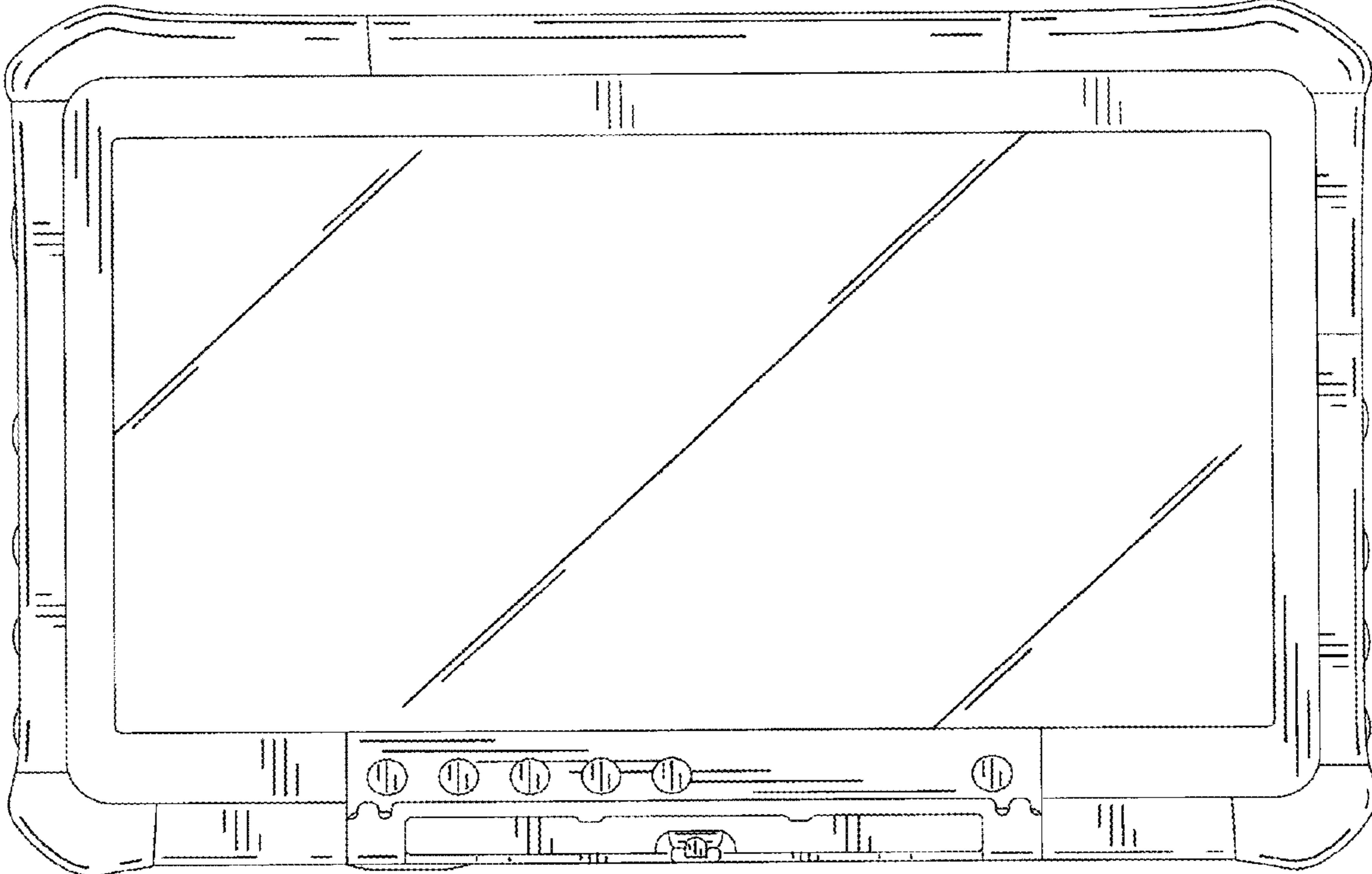


FIG.3

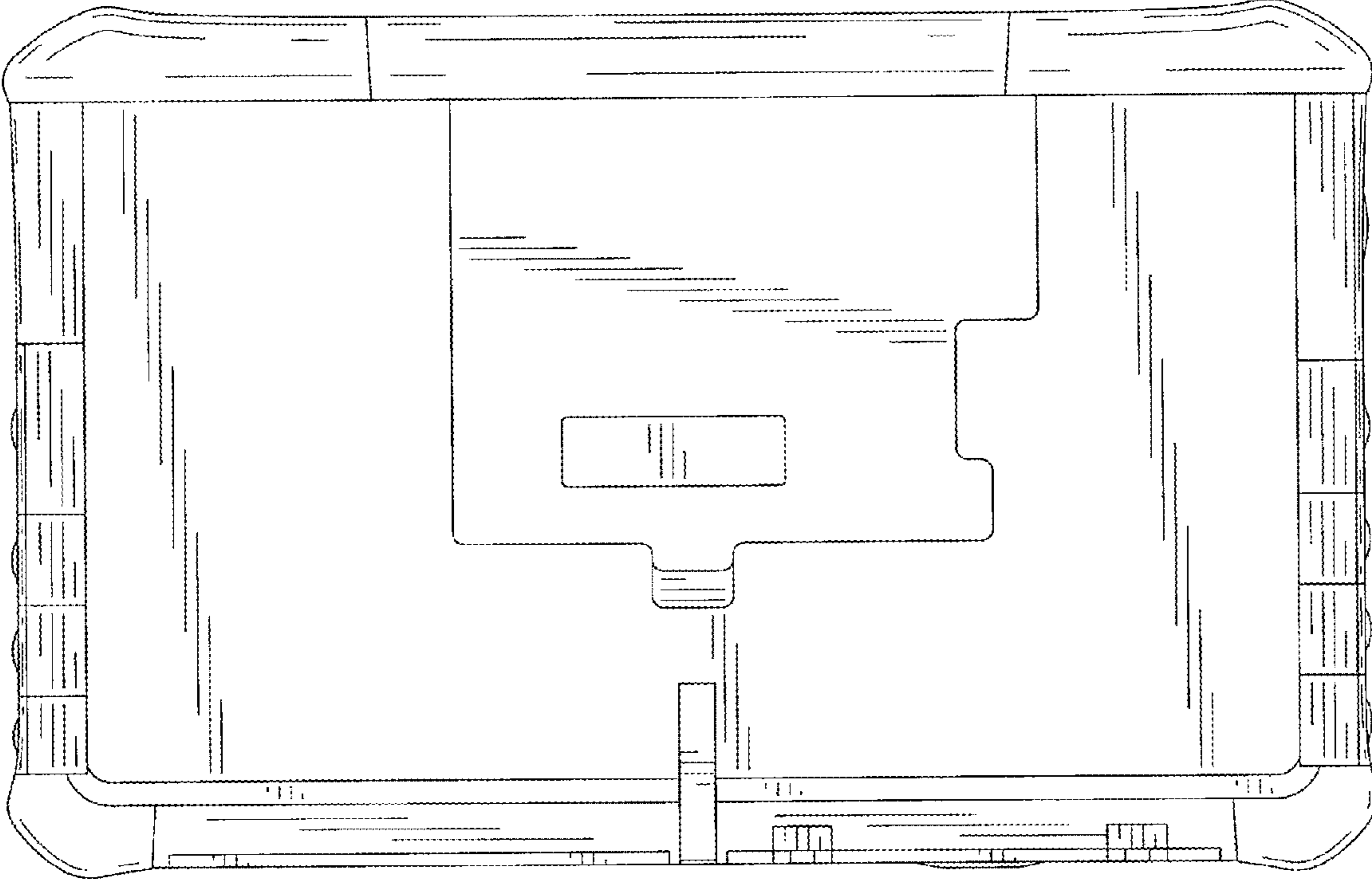


FIG. 4

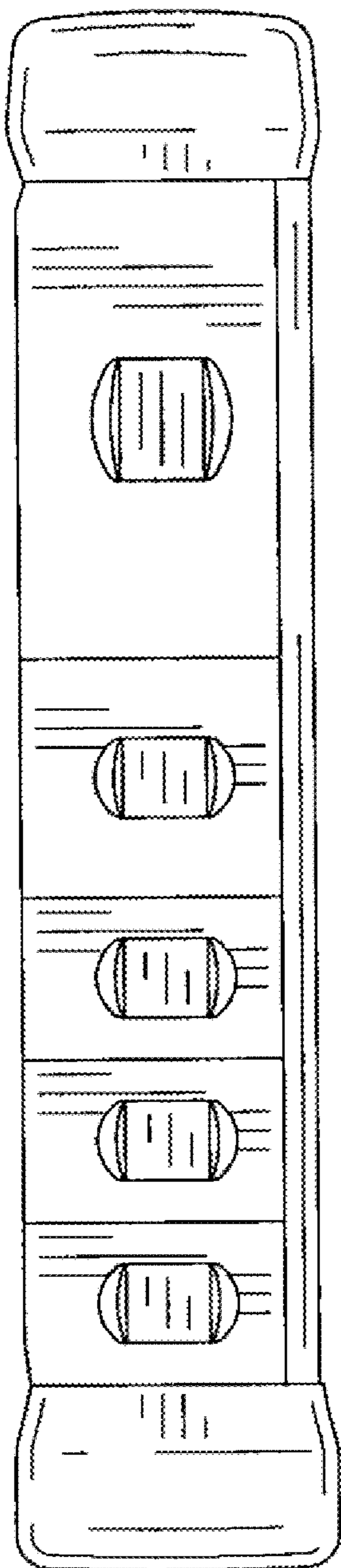


FIG. 5

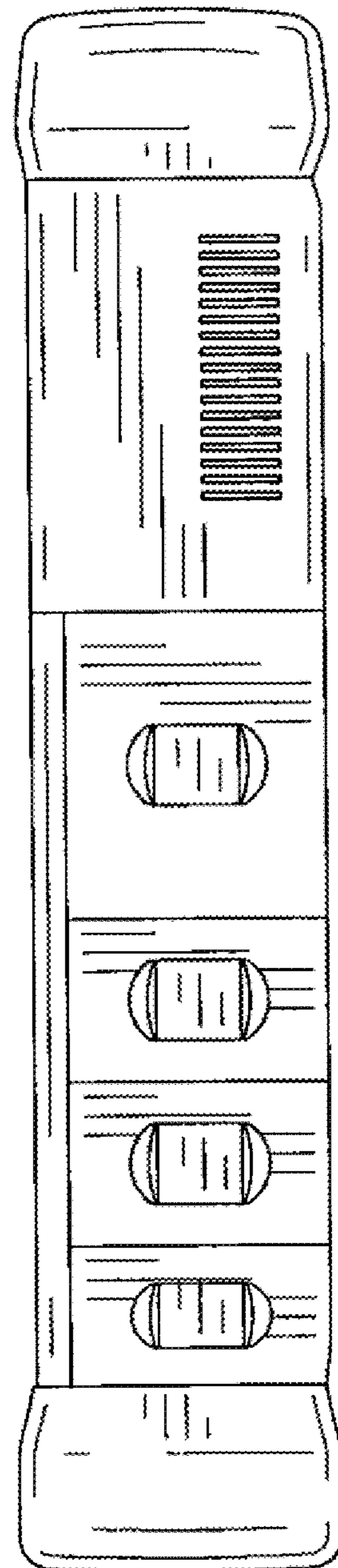


FIG.6

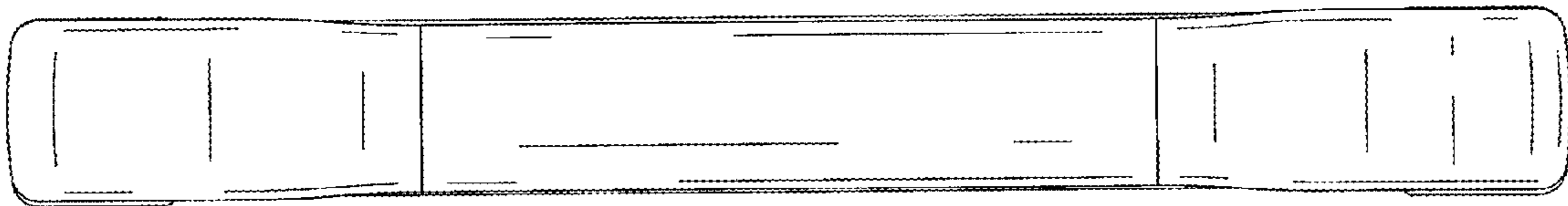


FIG.7

