



US00D672751S

(12) **United States Design Patent**  
**Davies et al.**

(10) **Patent No.:** **US D672,751 S**  
(45) **Date of Patent:** **\*\* Dec. 18, 2012**

(54) **LOUDSPEAKER**

(75) Inventors: **John Simon Davies**, Hong Kong (HK);  
**Hung Yan Ho**, Hong Kong (HK);  
**Jonathon Parry Jones**, Denbigshire  
(GB)

(73) Assignee: **GP Acoustics International Limited**,  
Kwai Chung (HK)

(\*\*) Term: **14 Years**

(21) Appl. No.: **29/398,173**

(22) Filed: **Jul. 27, 2011**

(51) **LOC (9) Cl.** ..... **14-01**

(52) **U.S. Cl.** ..... **D14/215; D14/204; D14/210**

(58) **Field of Classification Search** ..... D14/204,  
D14/218, 172, 210–216; 181/143, 147, 148,  
181/150, 153, 157, 198, 199, 166, 144;  
381/300–303, 306, 332, 333, 336, 345, 361–364,  
381/370, 386–388

See application file for complete search history.

(56) **References Cited**

U.S. PATENT DOCUMENTS

4,214,645 A \* 7/1980 Plourde ..... 181/148  
4,940,108 A \* 7/1990 Selby ..... 181/145  
5,875,255 A \* 2/1999 Campbell ..... 381/345  
5,933,509 A \* 8/1999 Wu ..... 381/345

6,561,311 B2 \* 5/2003 Chuang ..... 181/199  
D485,259 S \* 1/2004 Allen ..... D14/215  
D486,474 S \* 2/2004 Allen ..... D14/215  
D494,565 S \* 8/2004 Yao ..... D14/215  
D507,790 S \* 7/2005 Dayan ..... D14/215  
D576,150 S \* 9/2008 Lim et al. .... D14/211  
D588,107 S \* 3/2009 Khoo et al. .... D14/215  
D597,531 S \* 8/2009 Cho ..... D14/215  
D645,450 S \* 9/2011 Chen ..... D14/215

\* cited by examiner

*Primary Examiner* — Prabhakar Deshmukh

(74) *Attorney, Agent, or Firm* — Pearne & Gordon LLP

(57) **CLAIM**

The ornamental design for a loudspeaker, as shown and described.

**DESCRIPTION**

FIG. 1 is a front view of a loudspeaker showing our new design;

FIG. 2 is a rear view thereof;

FIG. 3 is a left side view thereof;

FIG. 4 is a right side view thereof;

FIG. 5 is a top plan view thereof;

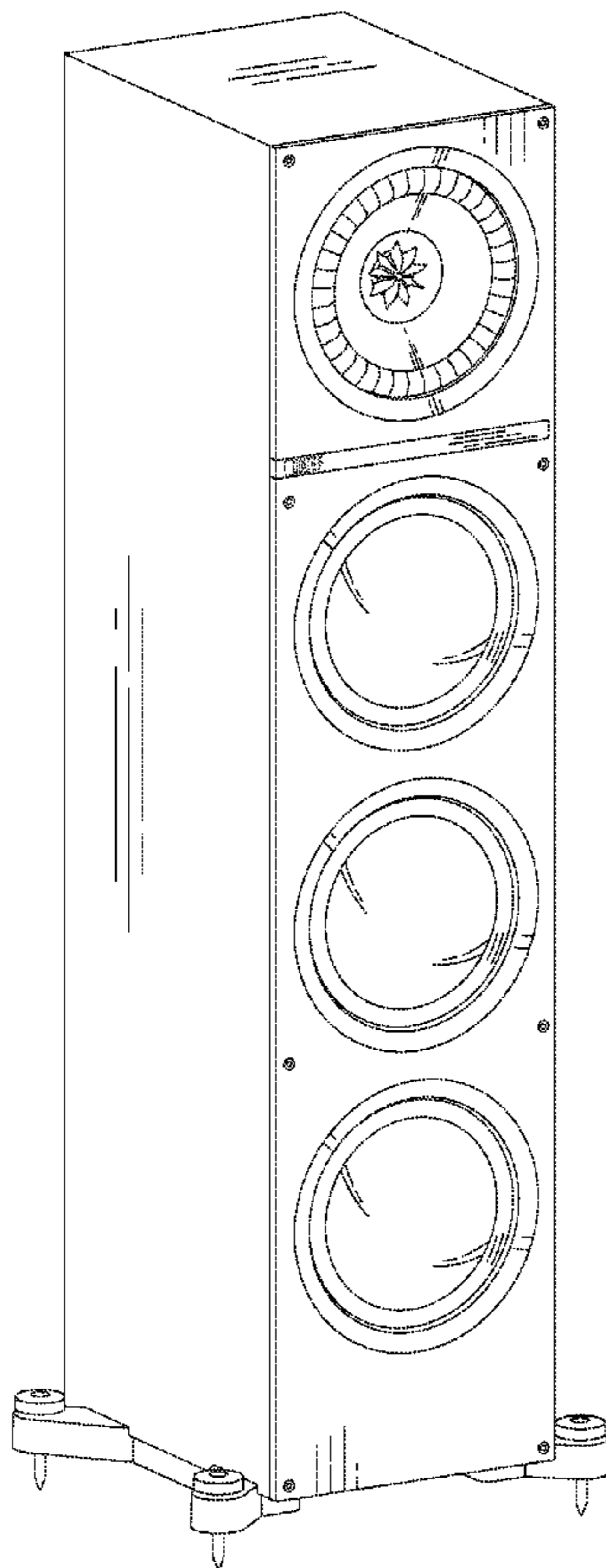
FIG. 6 is a bottom plan view thereof;

FIG. 7 is a front perspective view thereof; and,

FIG. 8 is a rear perspective view thereof.

The broken line showing on the drawing disclosure is for illustrative purposes only and forms no part of the claimed design.

**1 Claim, 8 Drawing Sheets**



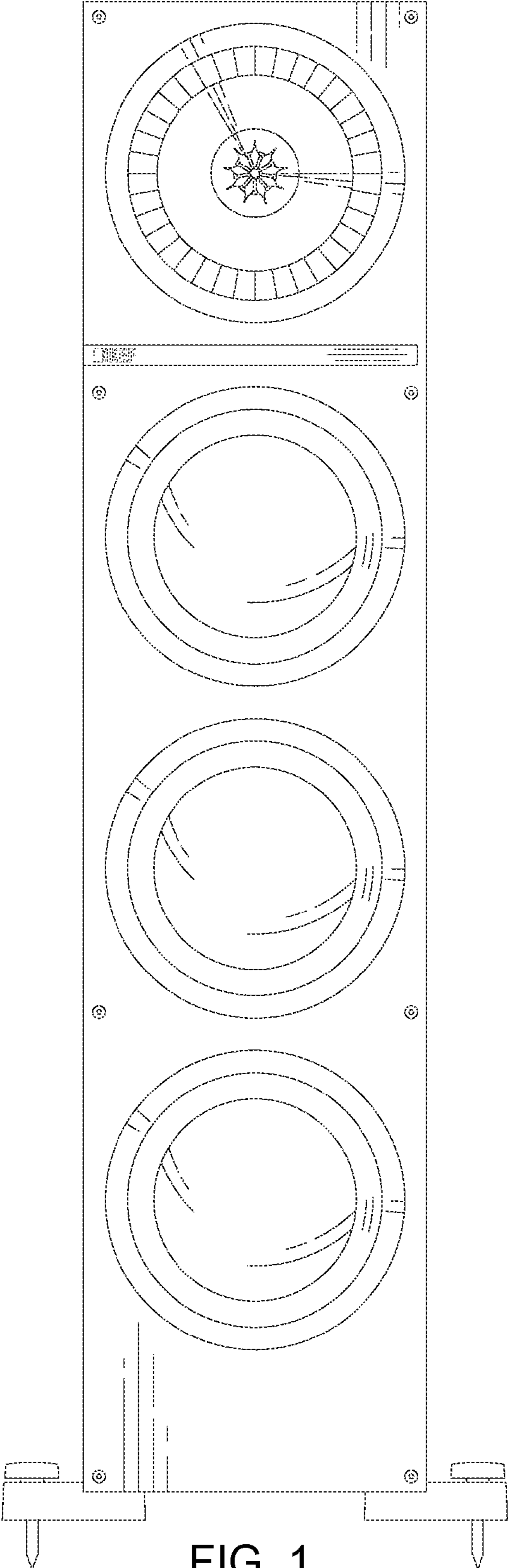


FIG. 1

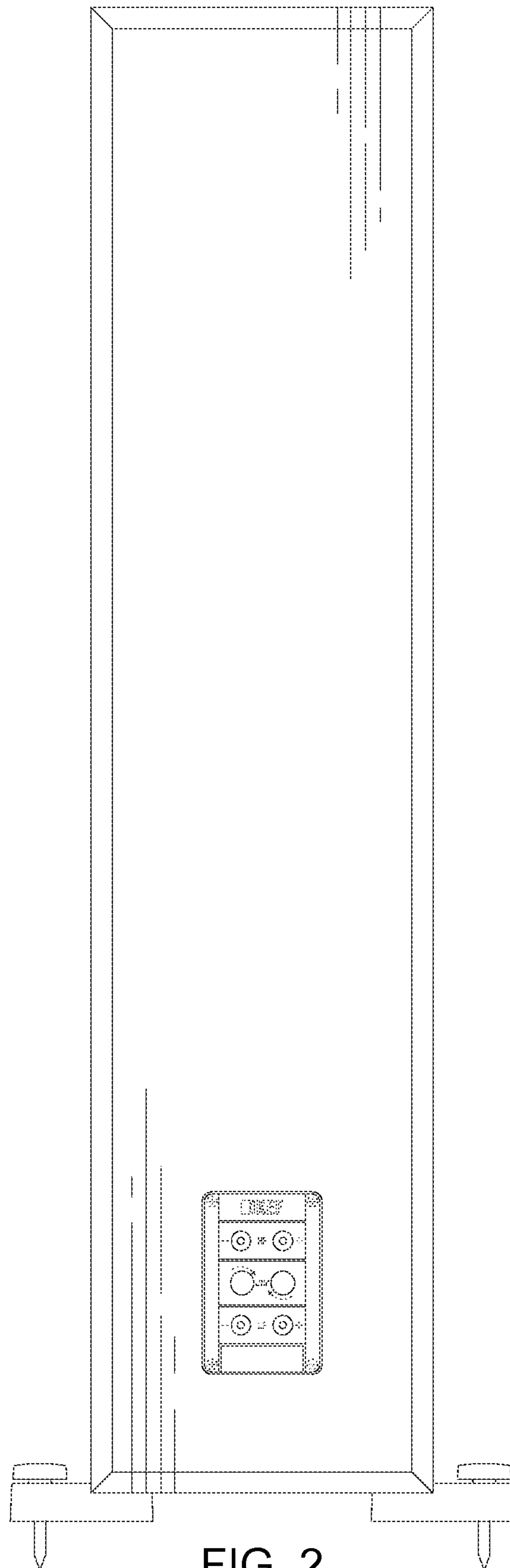


FIG. 2

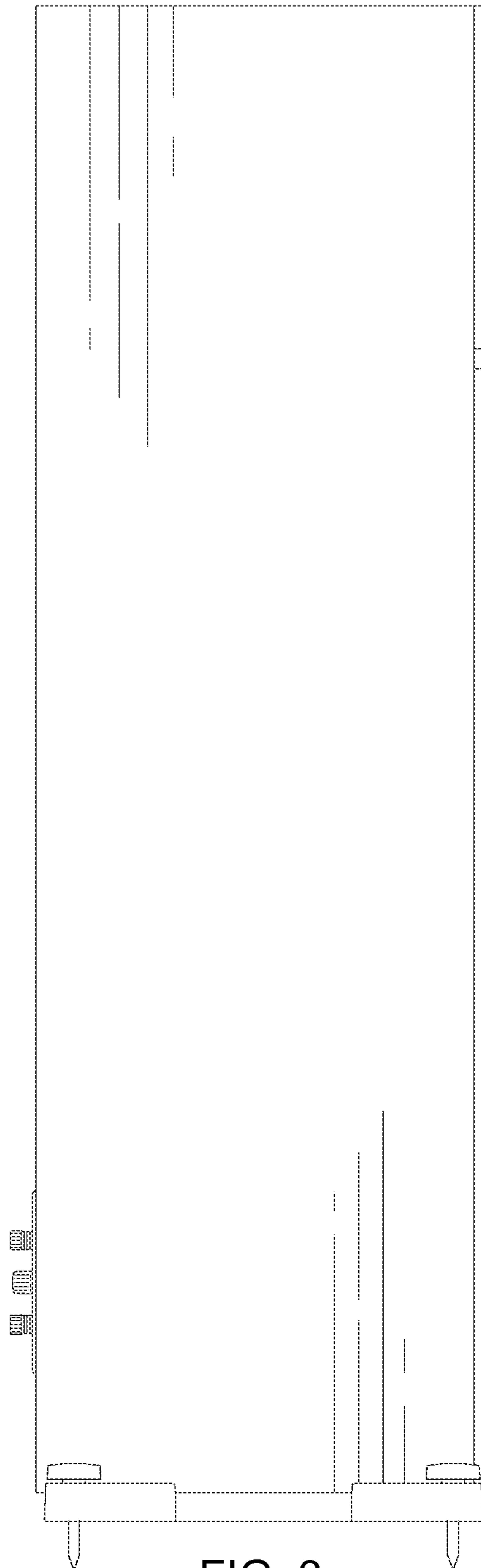


FIG. 3

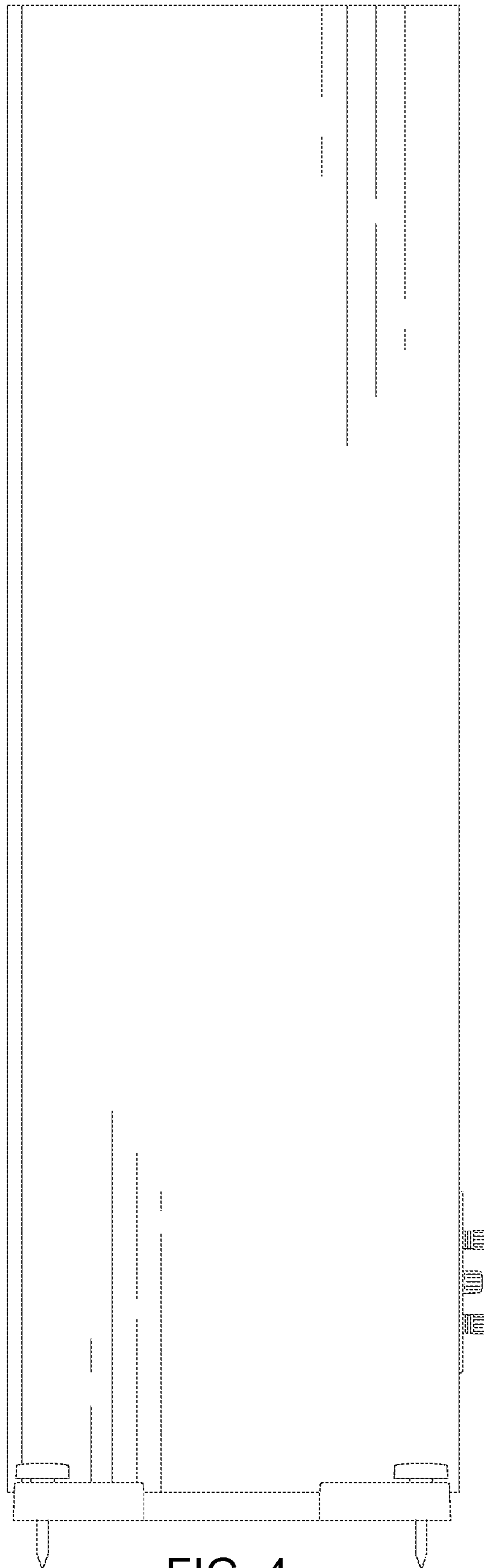


FIG. 4

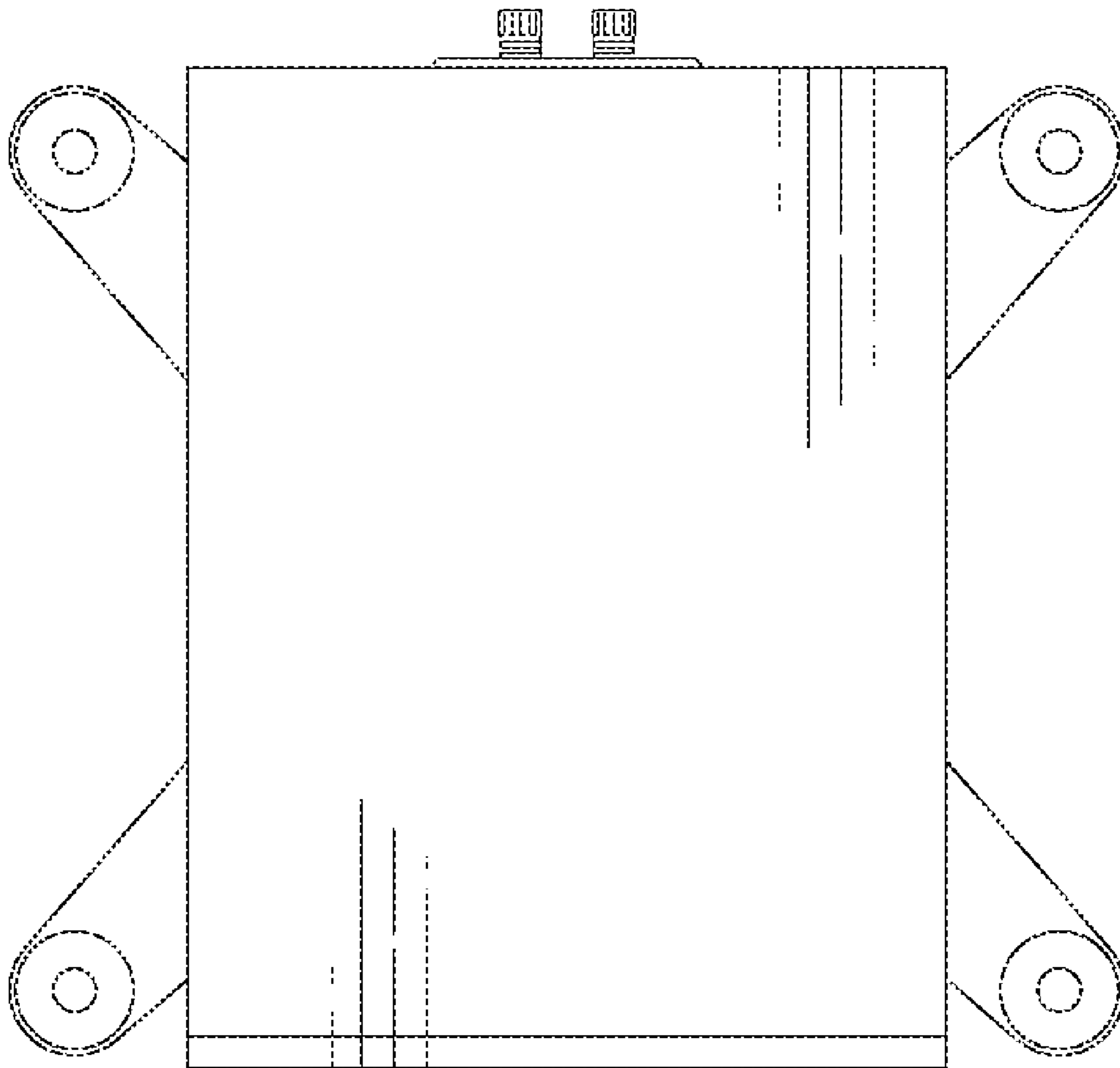


FIG. 5

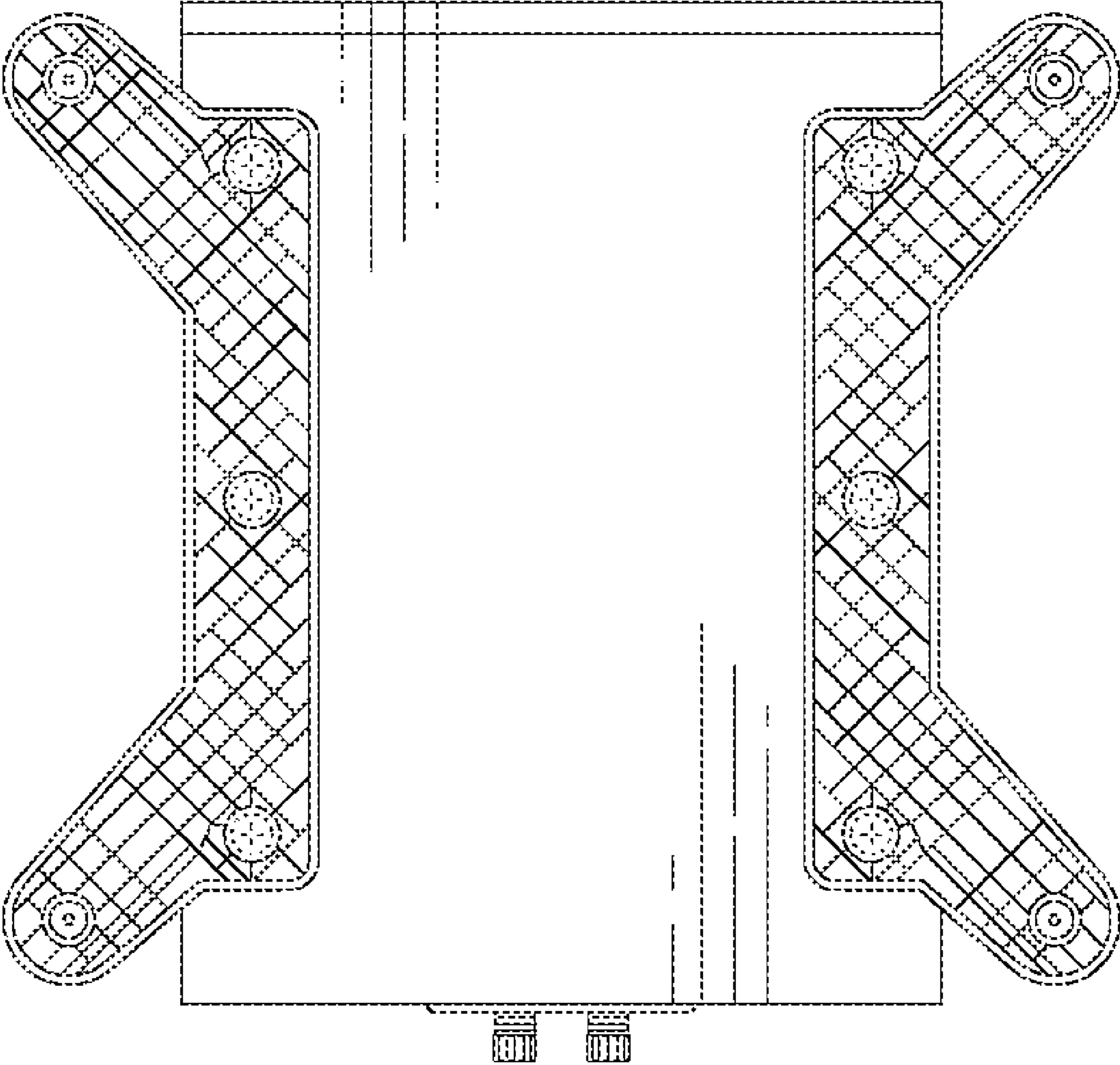
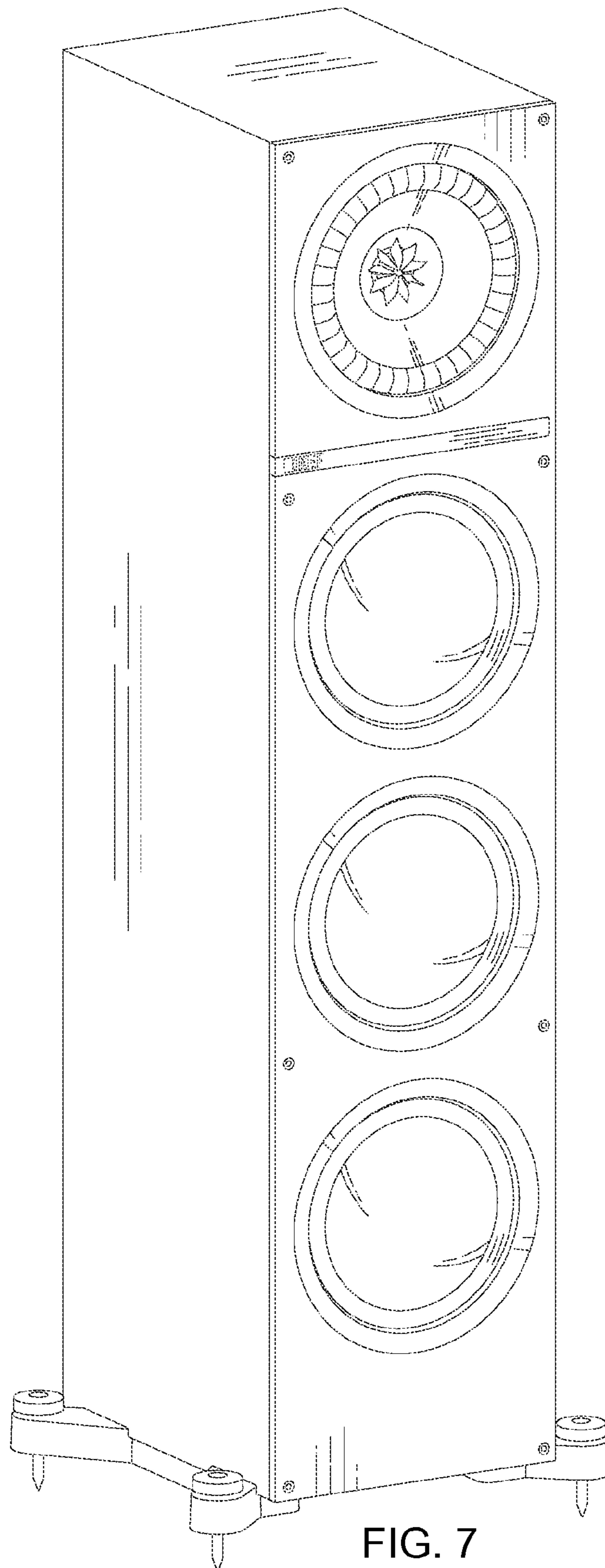


FIG. 6





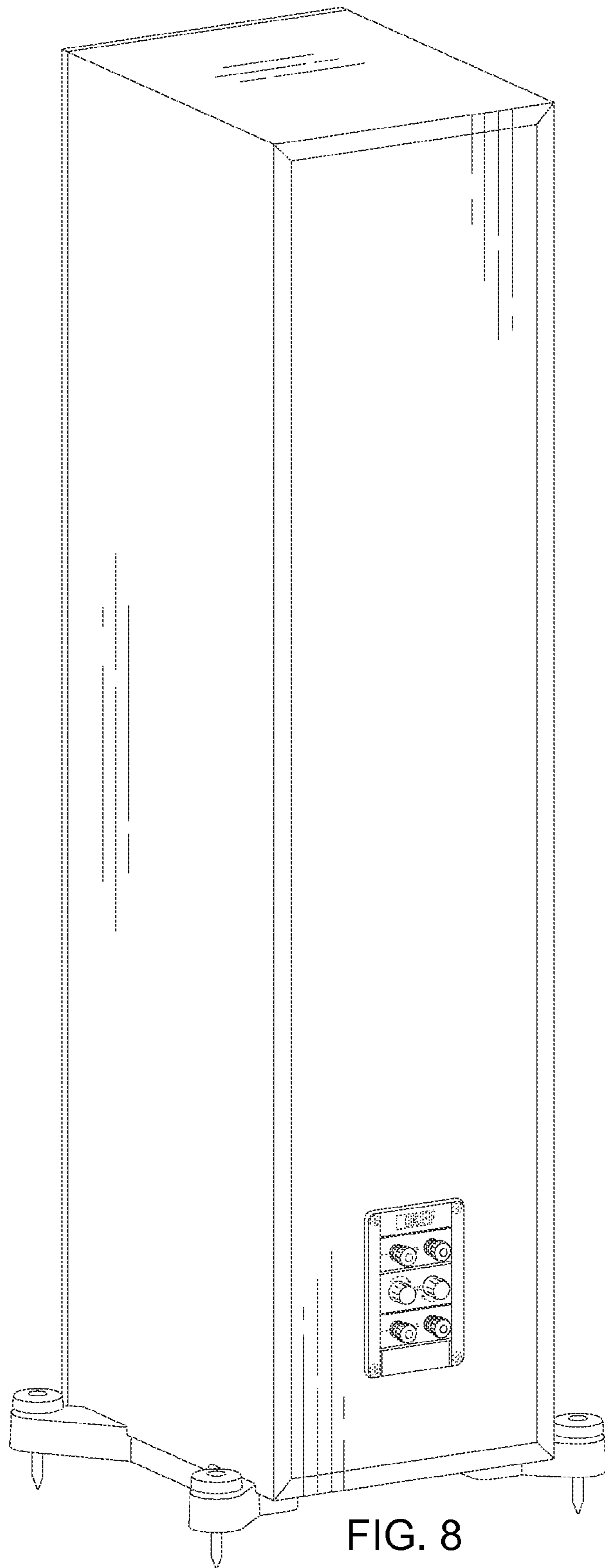


FIG. 8