



US00D672750S

(12) **United States Design Patent**  
**Lee**

(10) **Patent No.:** **US D672,750 S**  
(45) **Date of Patent:** **\*\* Dec. 18, 2012**

(54) **SPEAKER**  
(75) Inventor: **Wai Chung David Lee**, Kowloon (HK)  
(73) Assignee: **Koninklijke Philips Electronics N.V.**,  
Eindhoven (NL)  
(\*\*) Term: **14 Years**  
(21) Appl. No.: **29/394,848**  
(22) Filed: **Jun. 22, 2011**

6,057,659	A *	5/2000	Akiyama et al.	381/98
6,561,311	B2 *	5/2003	Chuang	181/199
D506,746	S *	6/2005	Hioki	D14/215
6,978,030	B2 *	12/2005	Reich	381/124
D542,276	S *	5/2007	Hibino	D14/215
D597,531	S *	8/2009	Cho	D14/215
D624,047	S *	9/2010	Kim	D14/215
D628,559	S *	12/2010	Vercelli et al.	D14/215
D645,453	S *	9/2011	Kim et al.	D14/215
D657,777	S *	4/2012	Jursch et al.	D14/215

\* cited by examiner

*Primary Examiner* — Prabhakar Deshmukh

(30) **Foreign Application Priority Data**  
Dec. 22, 2010 (EM) ..... 001797523-0001  
(51) **LOC (9) Cl.** ..... **14-01**  
(52) **U.S. Cl.** ..... **D14/215**  
(58) **Field of Classification Search** ..... D14/204,  
D14/210–216, 172; 181/143–144, 147–148,  
181/150–153, 157, 198–199; 381/300–303,  
381/306, 332–333, 336, 345, 361–364, 386–388  
See application file for complete search history.

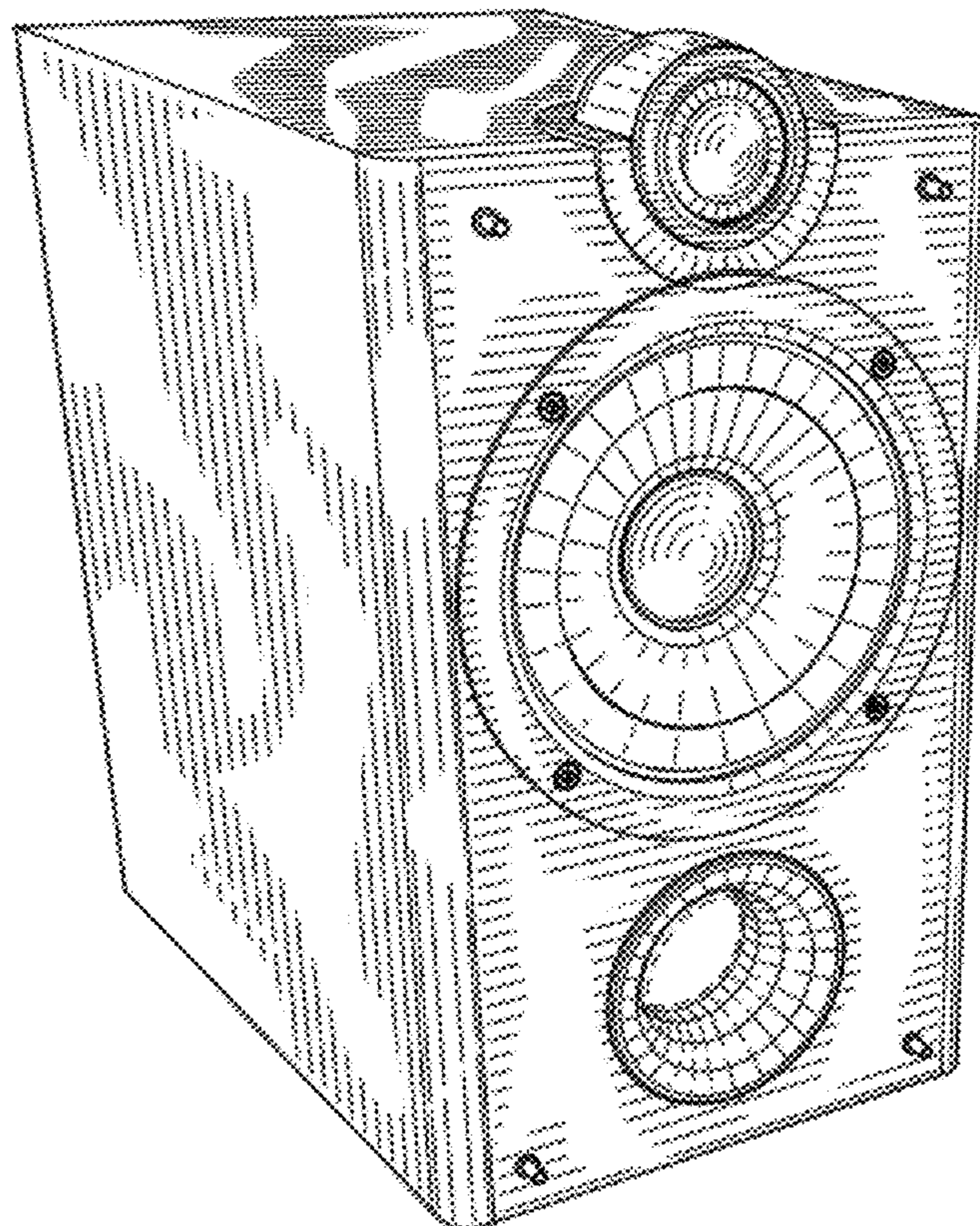
(57) **CLAIM**  
The ornamental design for a speaker, as shown.

**DESCRIPTION**

FIG. 1 is a perspective view of a speaker showing my new design;  
FIG. 2 is a front elevational view thereof;  
FIG. 3 is a rear elevational view thereof;  
FIG. 4 is a right side elevational view thereof;  
FIG. 5 is a left side elevational view thereof;  
FIG. 6 is a top plan view thereof; and,  
FIG. 7 is a bottom plan view thereof.

(56) **References Cited**  
**U.S. PATENT DOCUMENTS**  
3,157,889 A \* 11/1964 Chanko ..... 5/658  
4,119,799 A \* 10/1978 Merlino ..... 381/349

**1 Claim, 6 Drawing Sheets**



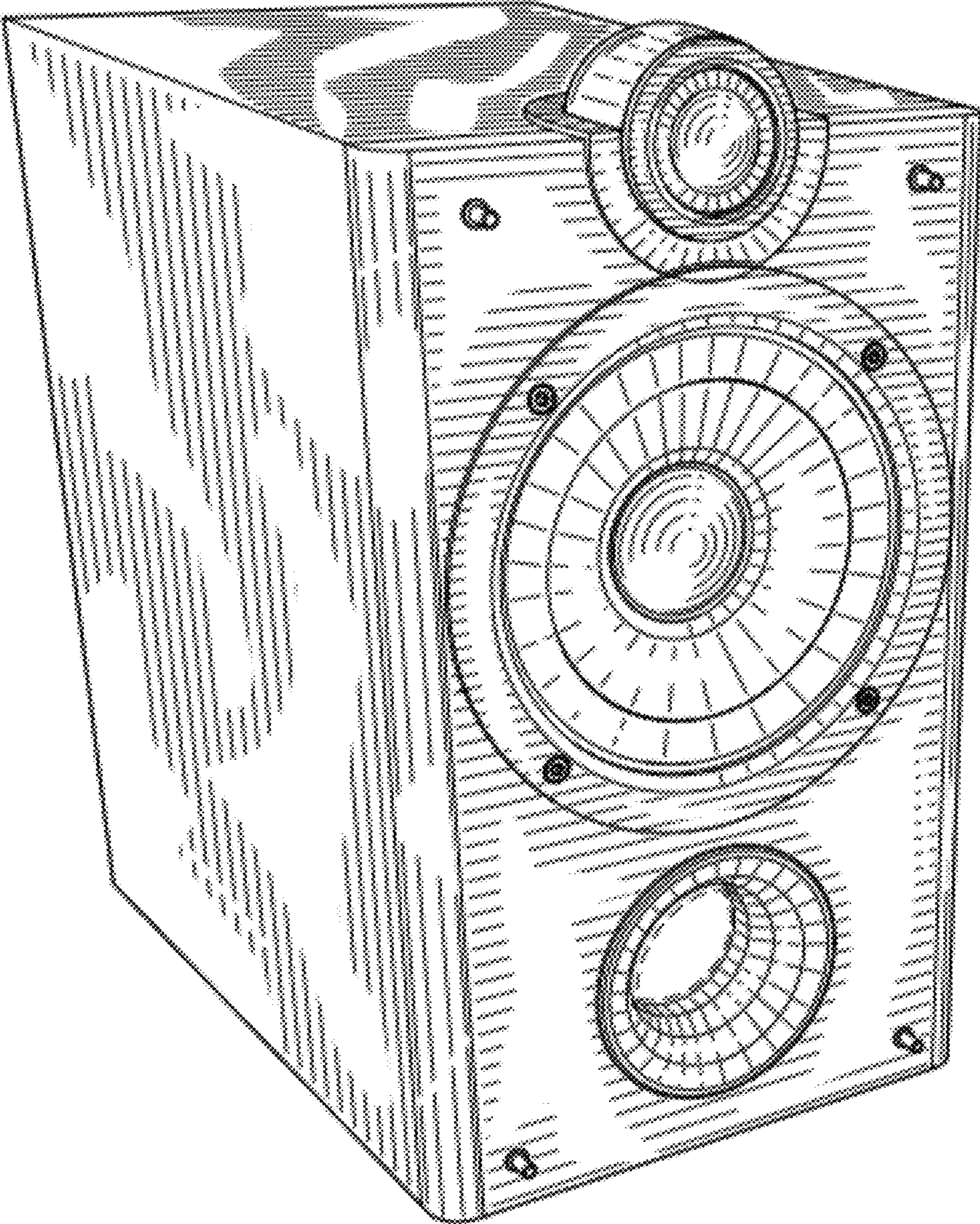


FIG. 1

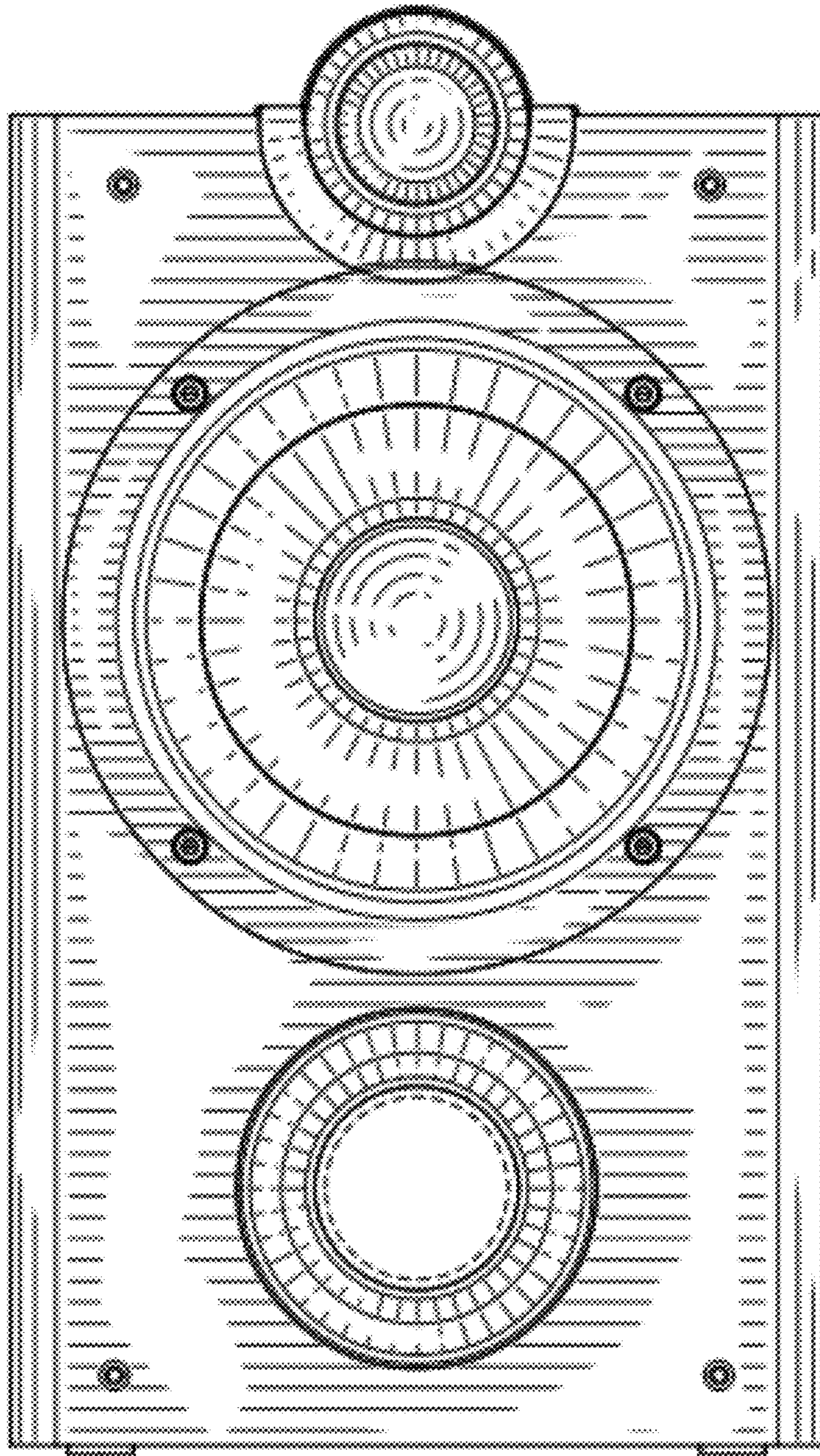


FIG. 2

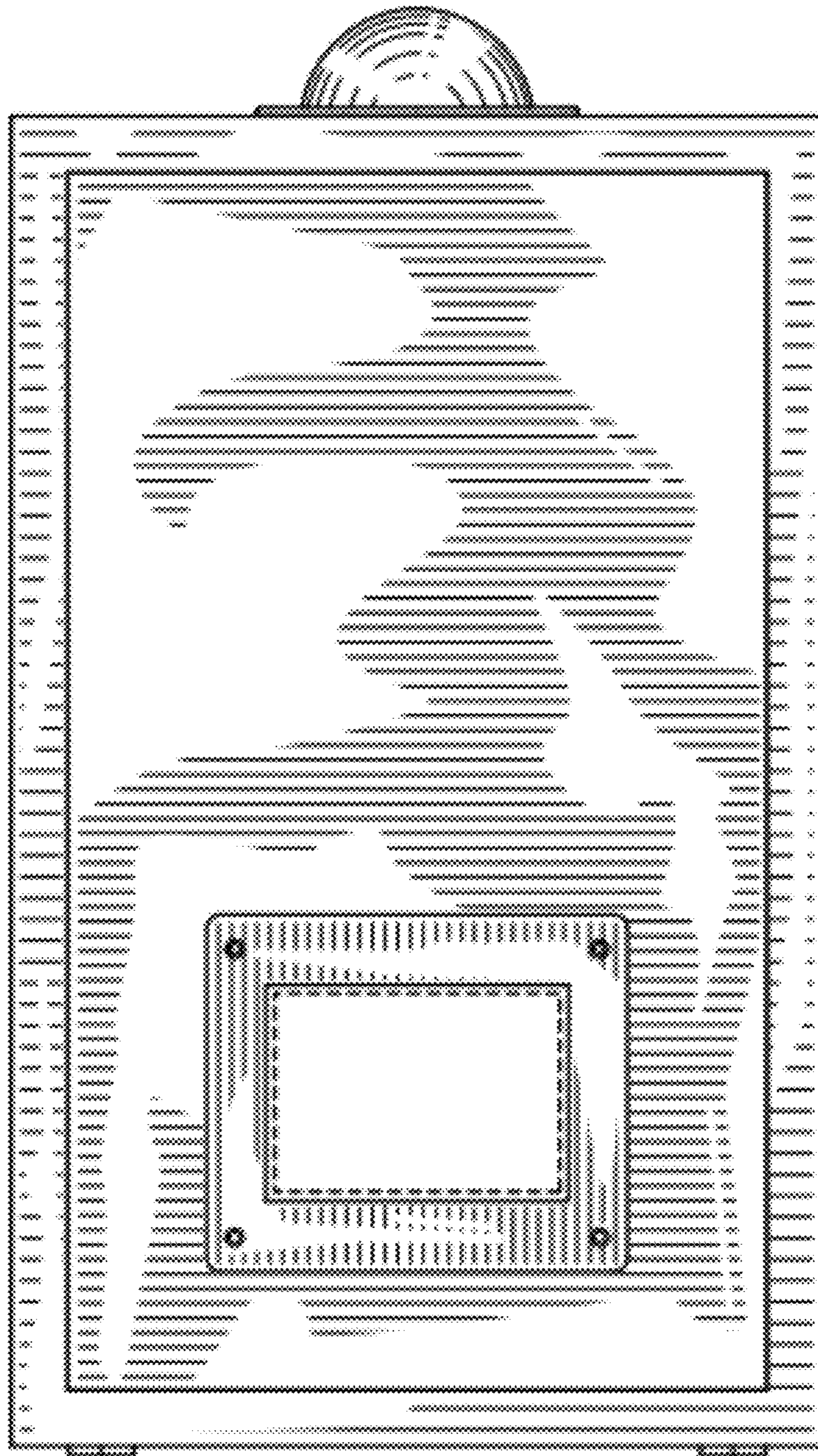


FIG.3

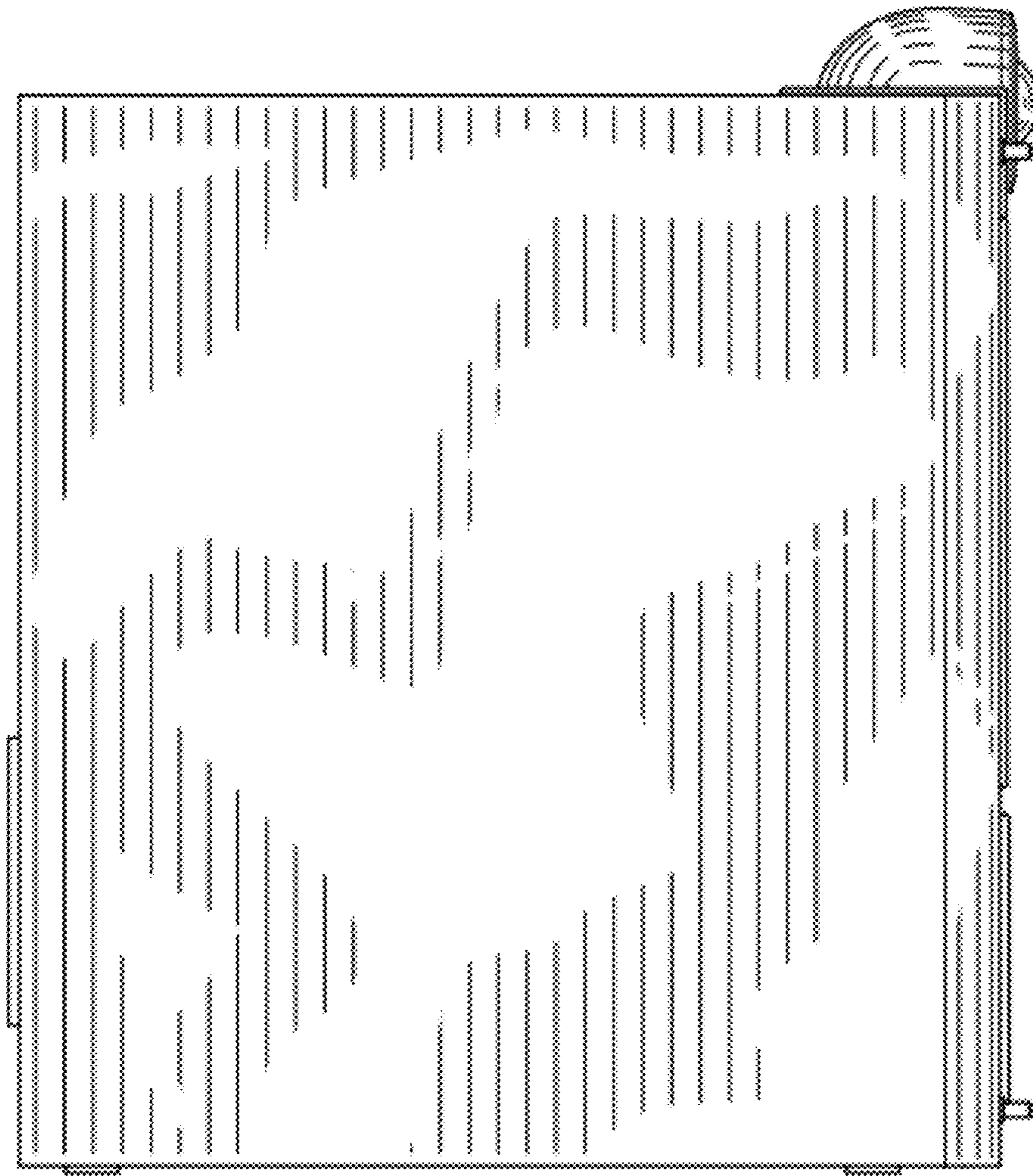


FIG.4

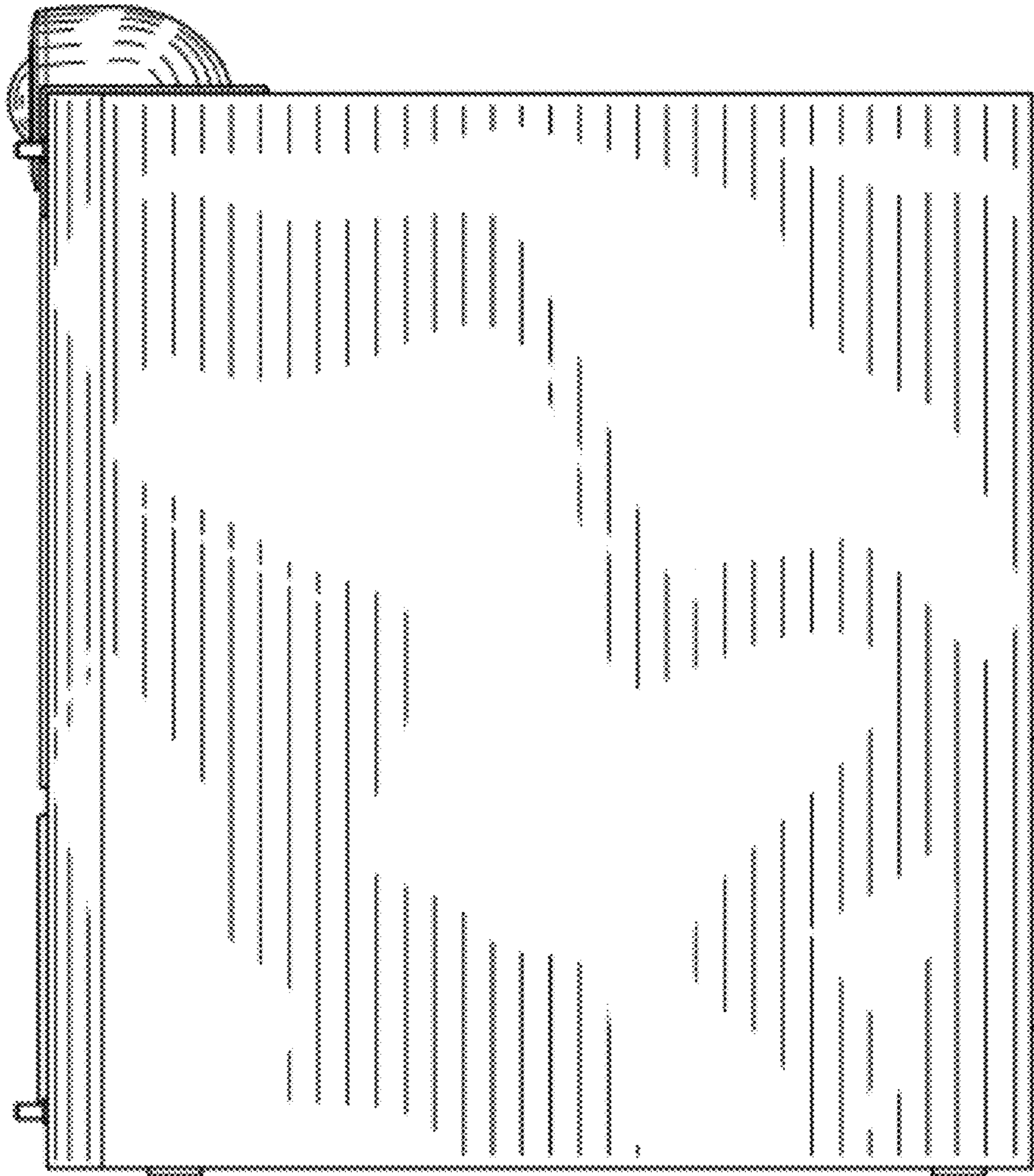


FIG. 5

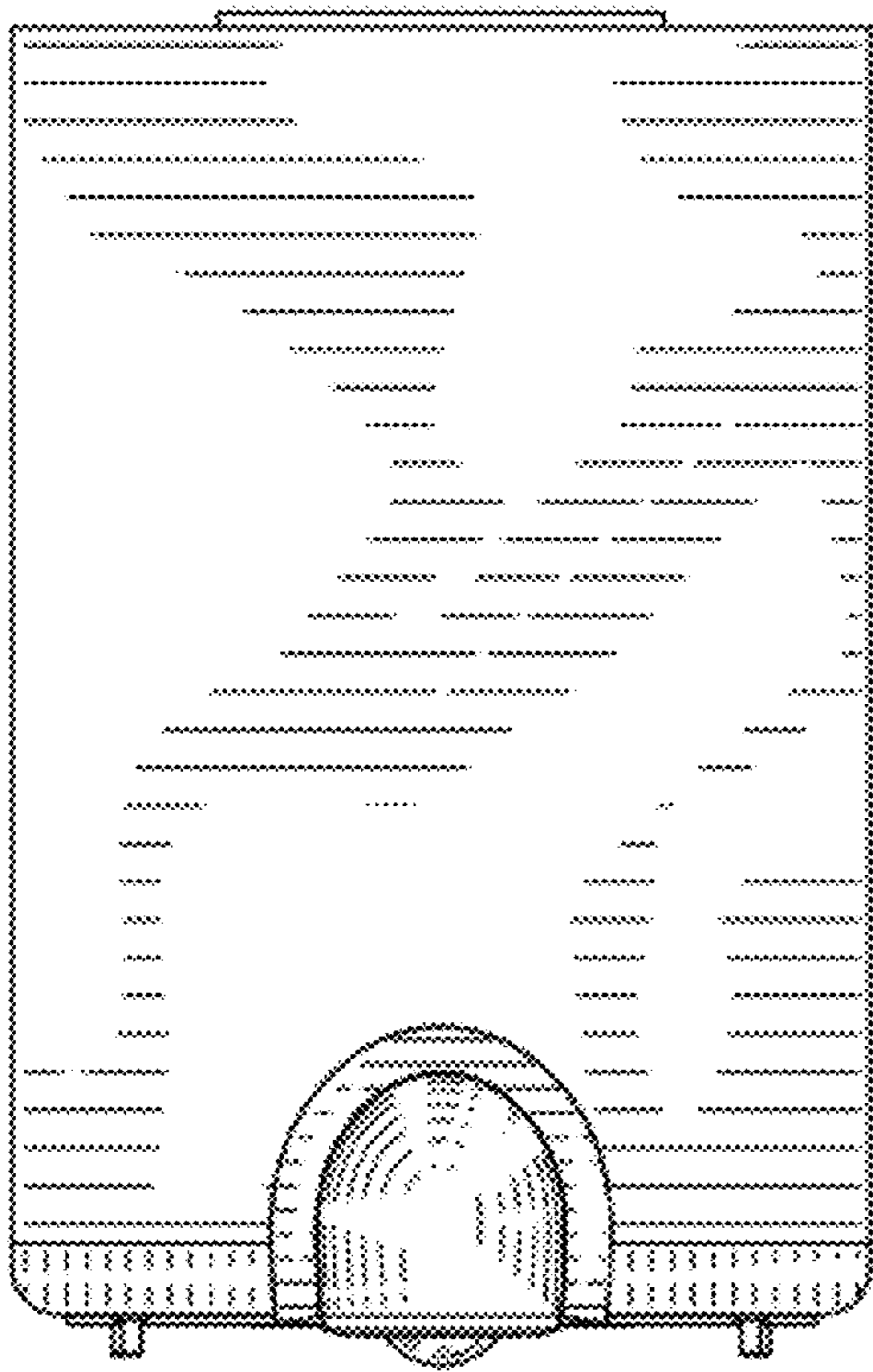


FIG. 6

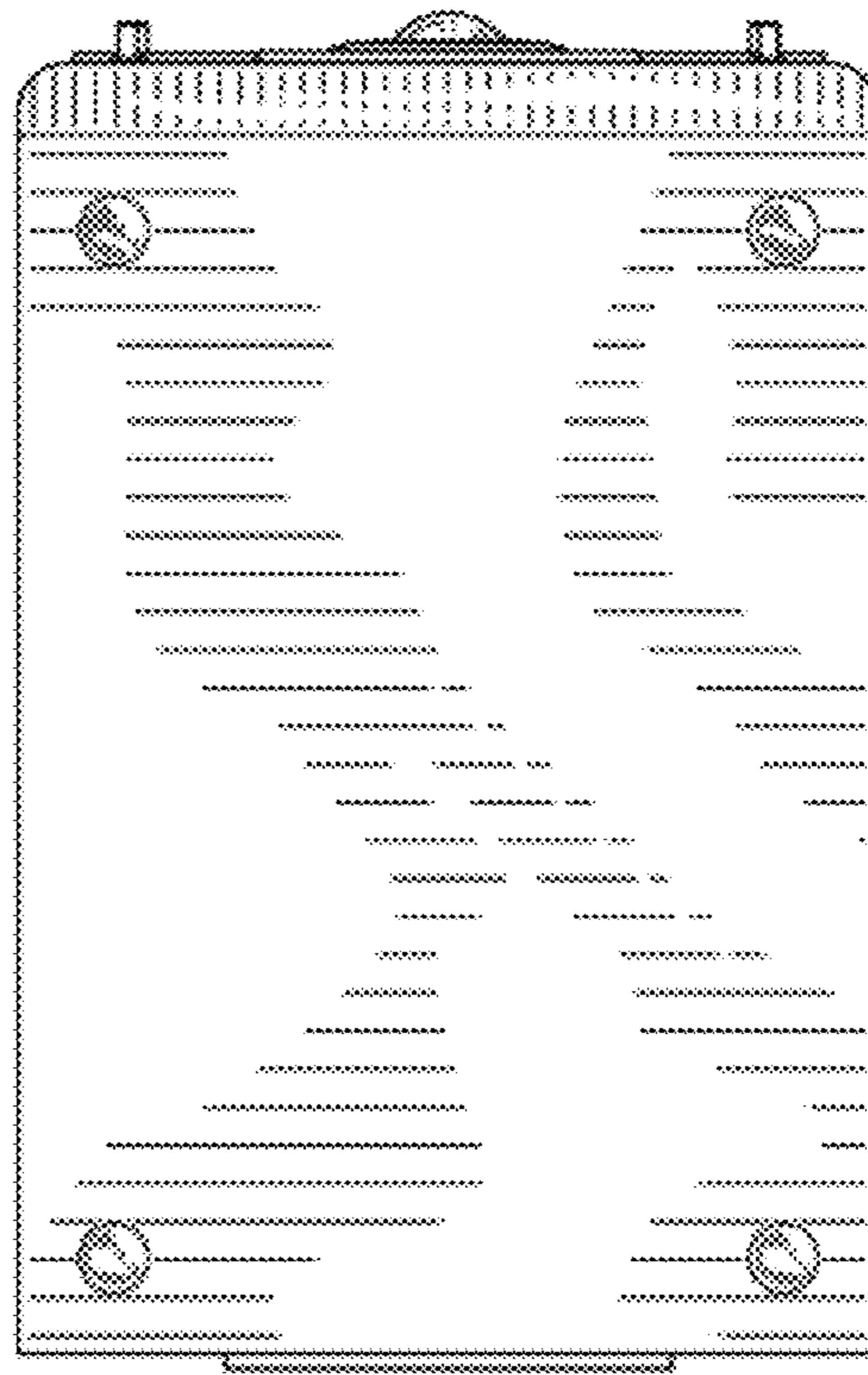


FIG. 7