

US00D672748S

(12) **United States Design Patent**  
**Burlingame, III et al.**

(10) **Patent No.:** **US D672,748 S**  
(45) **Date of Patent:** **\*\* Dec. 18, 2012**

(54) **PLAYBACK DEVICE**

(75) Inventors: **Gregory B. Burlingame, III**, Woburn, MA (US); **Chris Kallai**, Santa Barbara, CA (US); **Zivthan Dubrovsky**, Lexington, MA (US); **James Koo**, Renton, WA (US); **Jonathan P. Lang**, Santa Barbara, CA (US); **Wai-Loong Lim**, San Francisco, CA (US)

(73) Assignee: **Sonos, Inc.**, Santa Barbara, CA (US)

(\*\*) Term: **14 Years**

(21) Appl. No.: **29/394,440**

(22) Filed: **Jun. 16, 2011**

(51) **LOC (9) Cl.** ..... **14-01**

(52) **U.S. Cl.** ..... **D14/214**

(58) **Field of Classification Search** ..... D14/204,  
D14/209-216, 219, 220; 181/143, 144, 147,  
181/148, 150, 151, 198, 199, 153; 381/330-302,  
381/306, 333, 345, 361-364, 386-388, 332,  
381/336

See application file for complete search history.

(56) **References Cited**

**U.S. PATENT DOCUMENTS**

4,805,730 A \* 2/1989 O'Neill et al. .... 181/148  
4,809,089 A \* 2/1989 Richie ..... 386/230

6,035,962 A \* 3/2000 Lin ..... 181/199  
6,349,792 B1 \* 2/2002 Smith et al. .... 181/156  
D508,041 S \* 8/2005 Carbone et al. .... D14/214  
D557,257 S \* 12/2007 Azumi ..... D14/214  
D567,223 S \* 4/2008 Carbone et al. .... D14/214  
D568,294 S \* 5/2008 Sawhney et al. .... D14/214  
D570,827 S \* 6/2008 Azumi ..... D14/214  
D581,902 S \* 12/2008 Morimoto ..... D14/214  
D582,391 S \* 12/2008 Morimoto ..... D14/214

\* cited by examiner

*Primary Examiner* — Prabhakar Deshmukh

(74) *Attorney, Agent, or Firm* — Hanley, Flight & Zimmerman, LLC

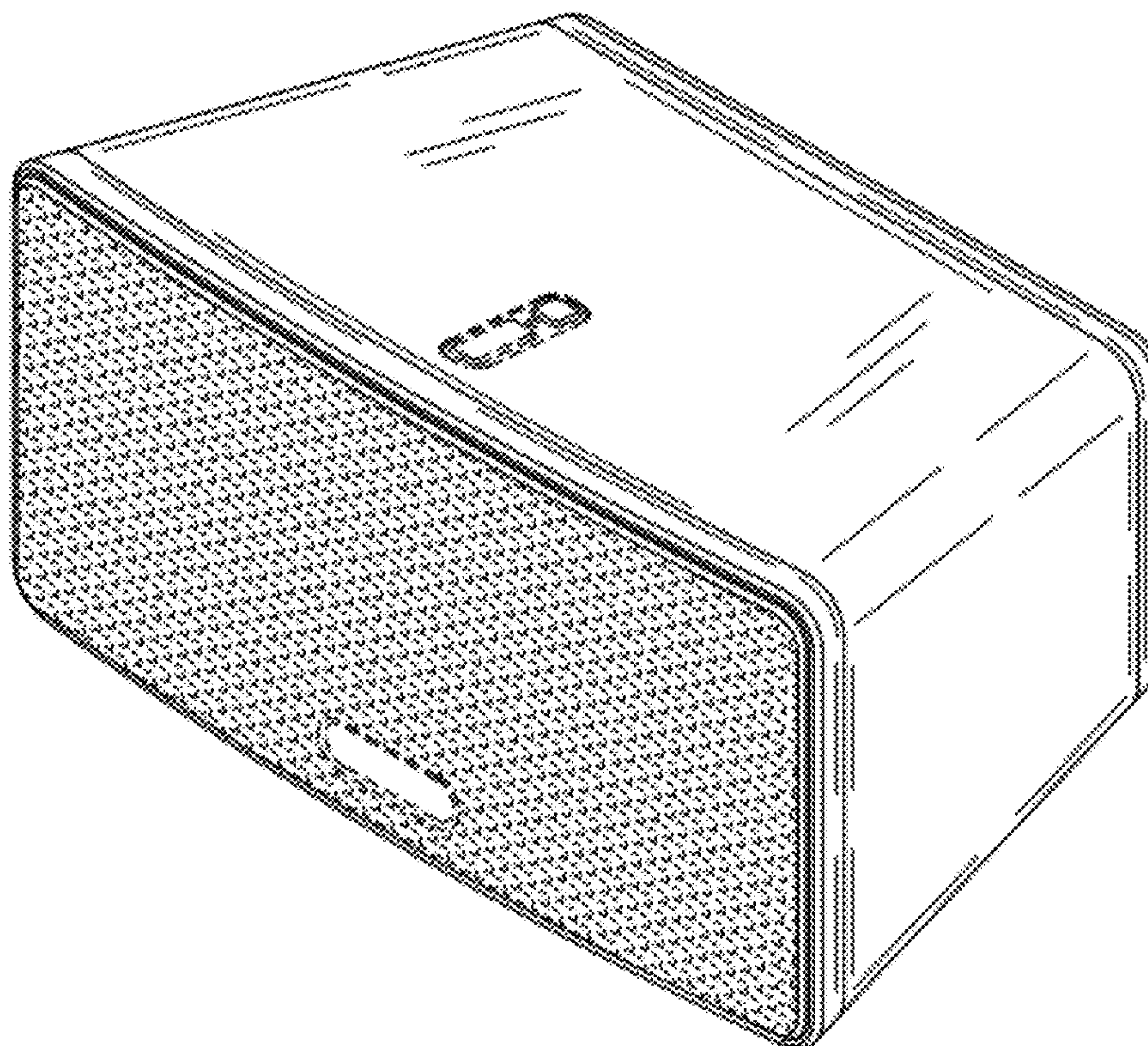
(57) **CLAIM**

The ornamental design for a playback device, as shown and described.

**DESCRIPTION**

FIG. 1 is an isometric view of a playback device.  
FIG. 2 is a front view of the playback device of FIG. 1.  
FIG. 3 is a rear view of the playback device of FIG. 1.  
FIG. 4 is a top view of the playback device of FIG. 1.  
FIG. 5 is a bottom view of the playback device of FIG. 1.  
FIG. 6 is a side view of the playback device of FIG. 1; and,  
FIG. 7 is another side view of the playback device of FIG. 1.  
The features shown in broken lines are for illustrative purposes only and do not form part of the claimed design.

**1 Claim, 5 Drawing Sheets**





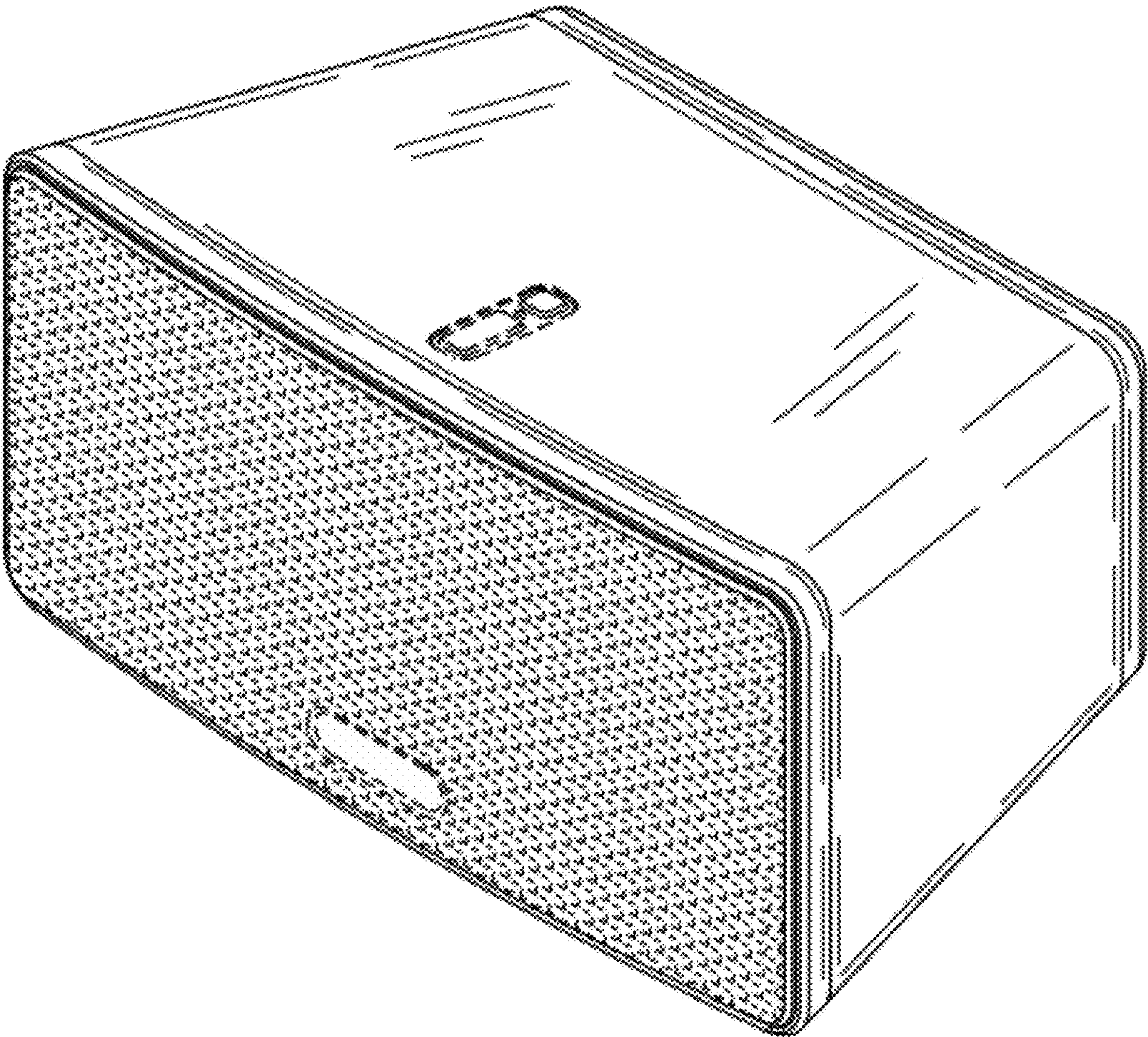


FIG. 1



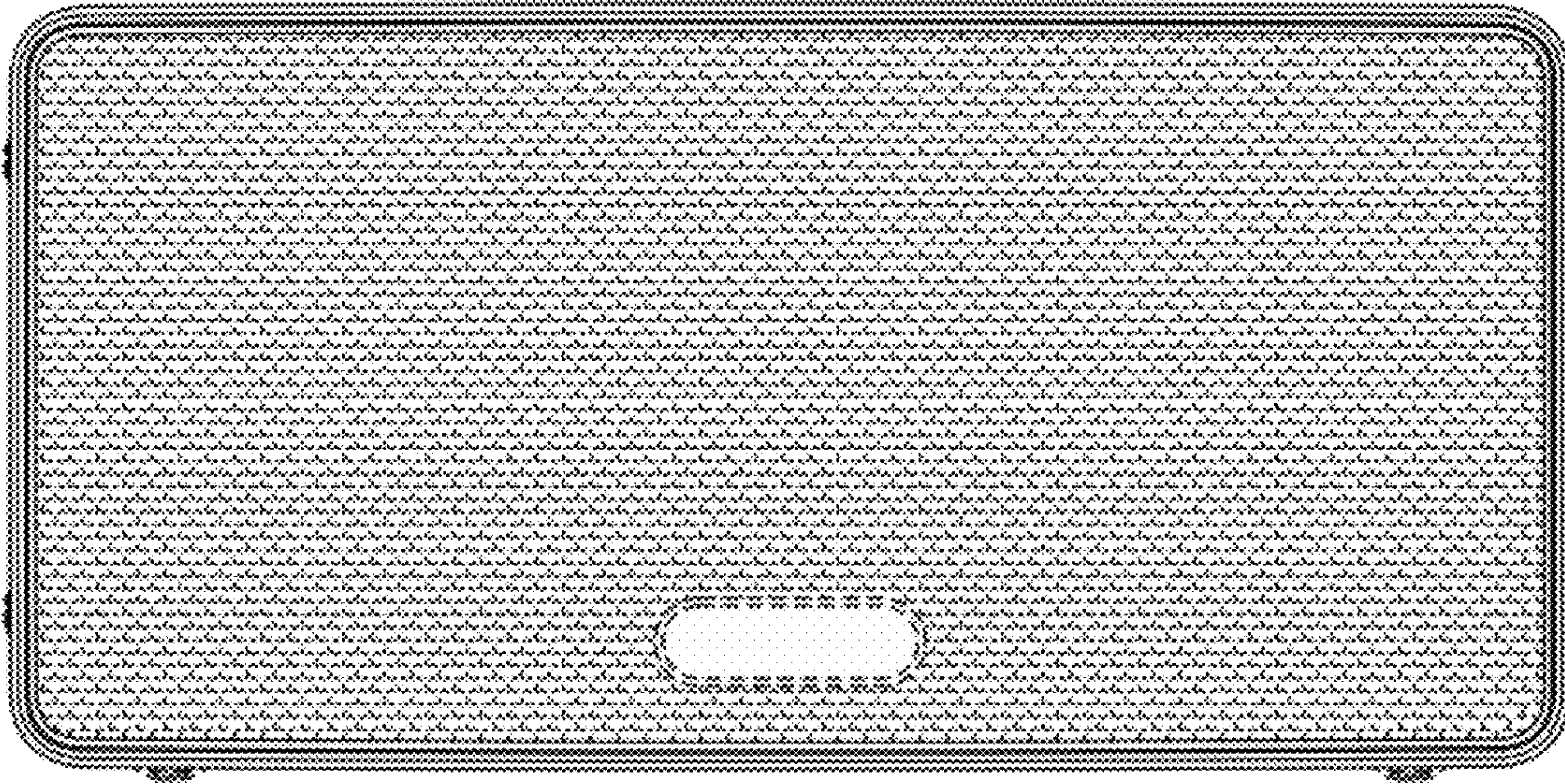


FIG. 2

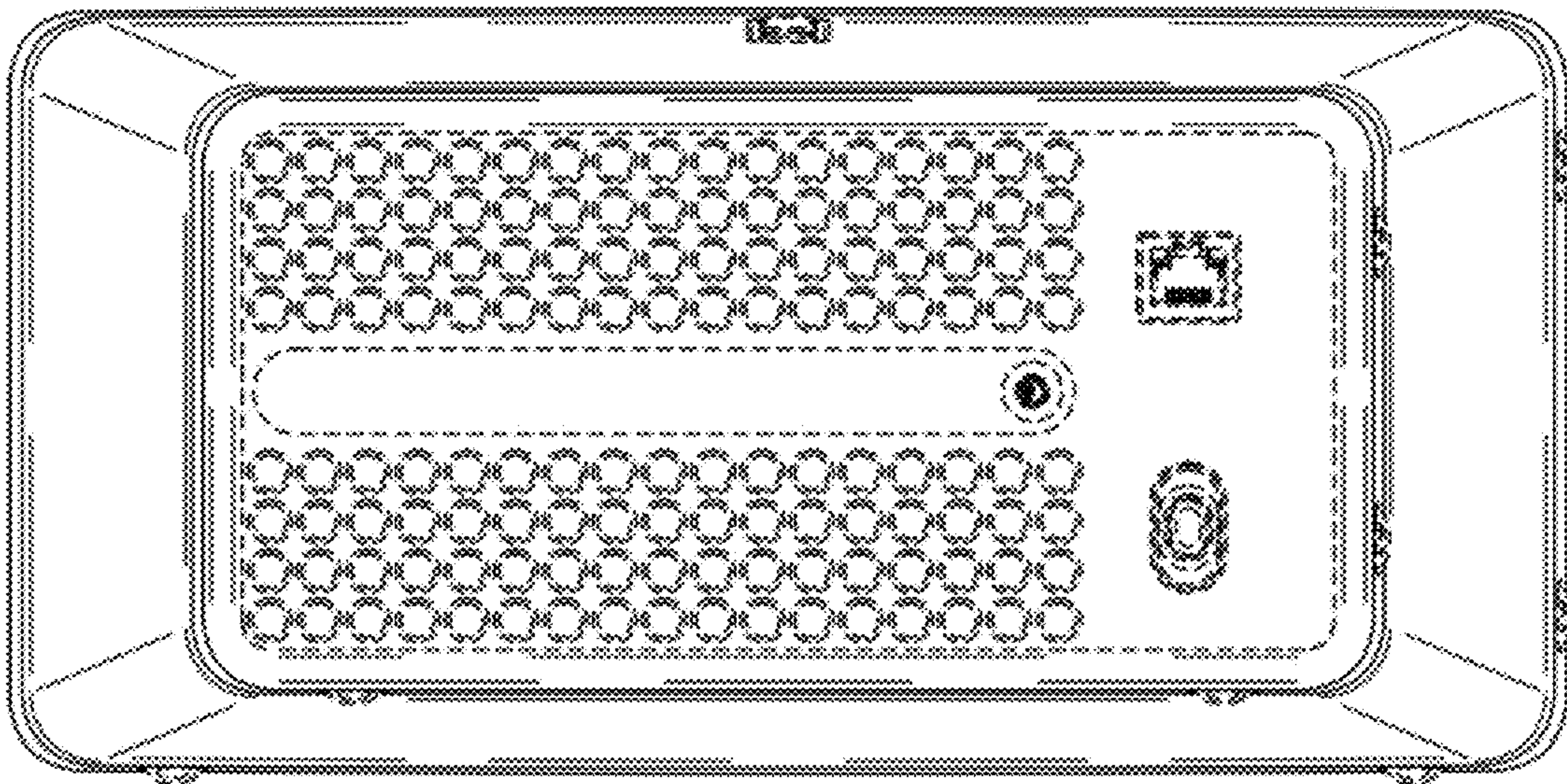


FIG. 3



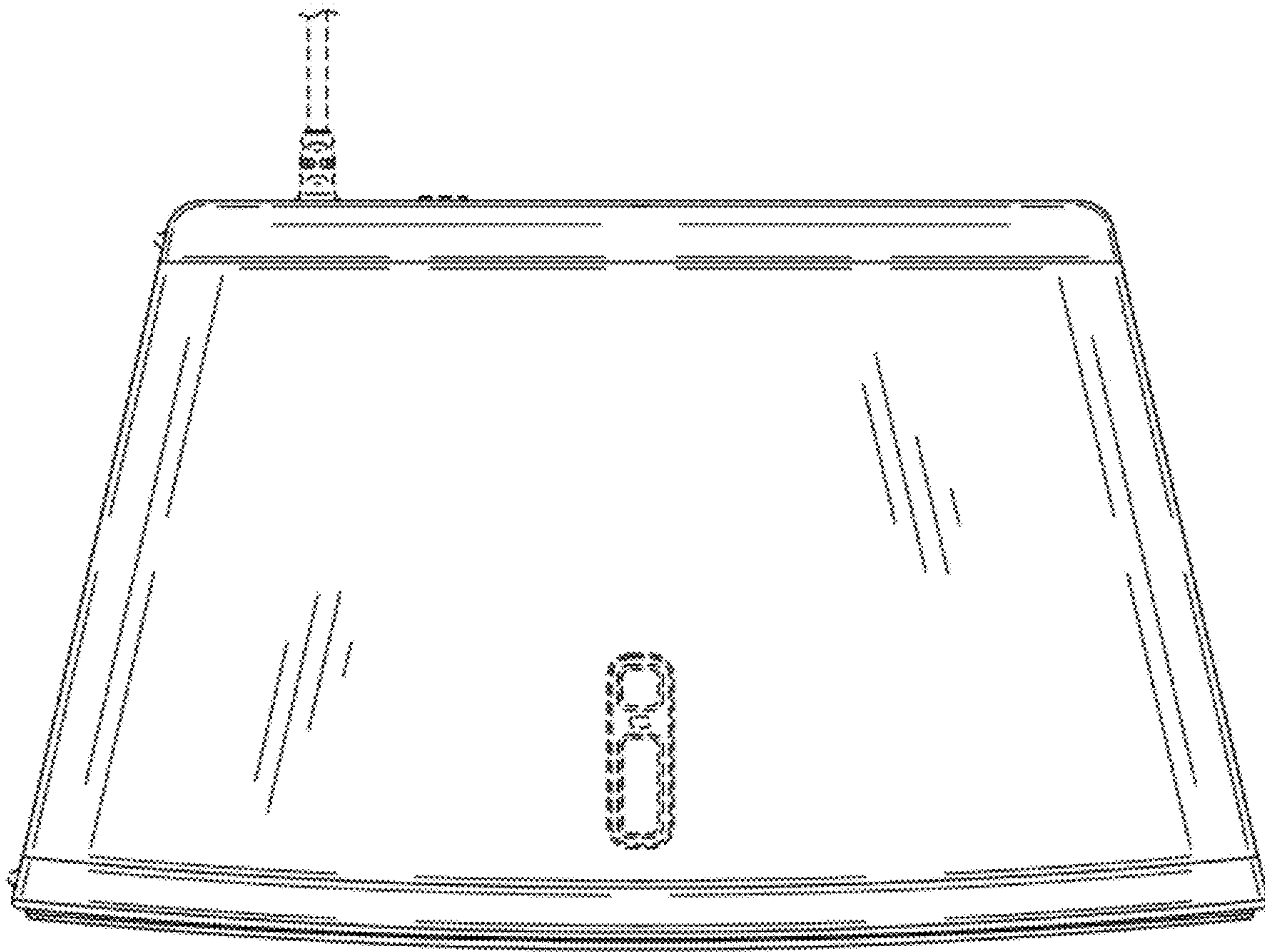


FIG. 4

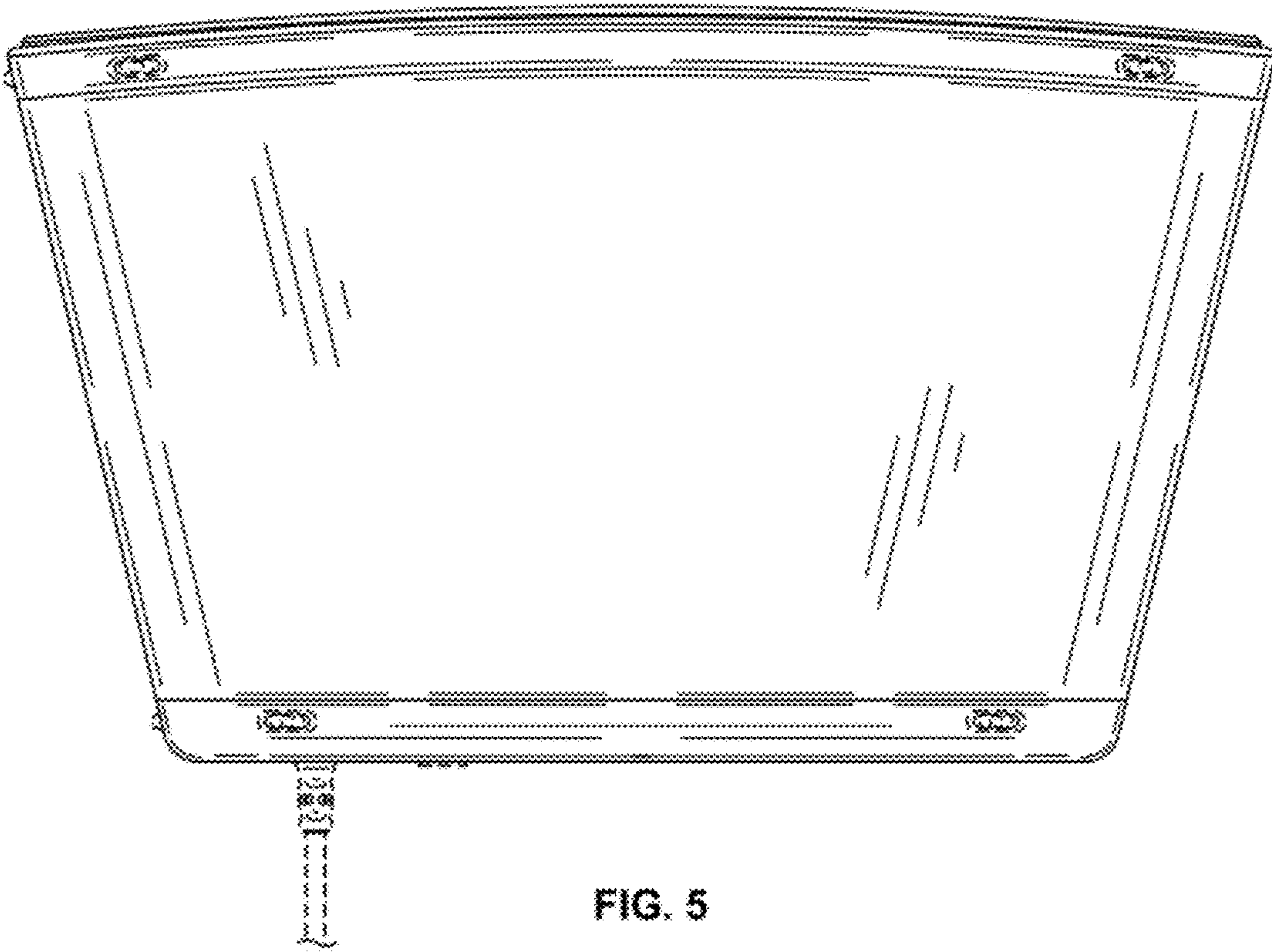


FIG. 5

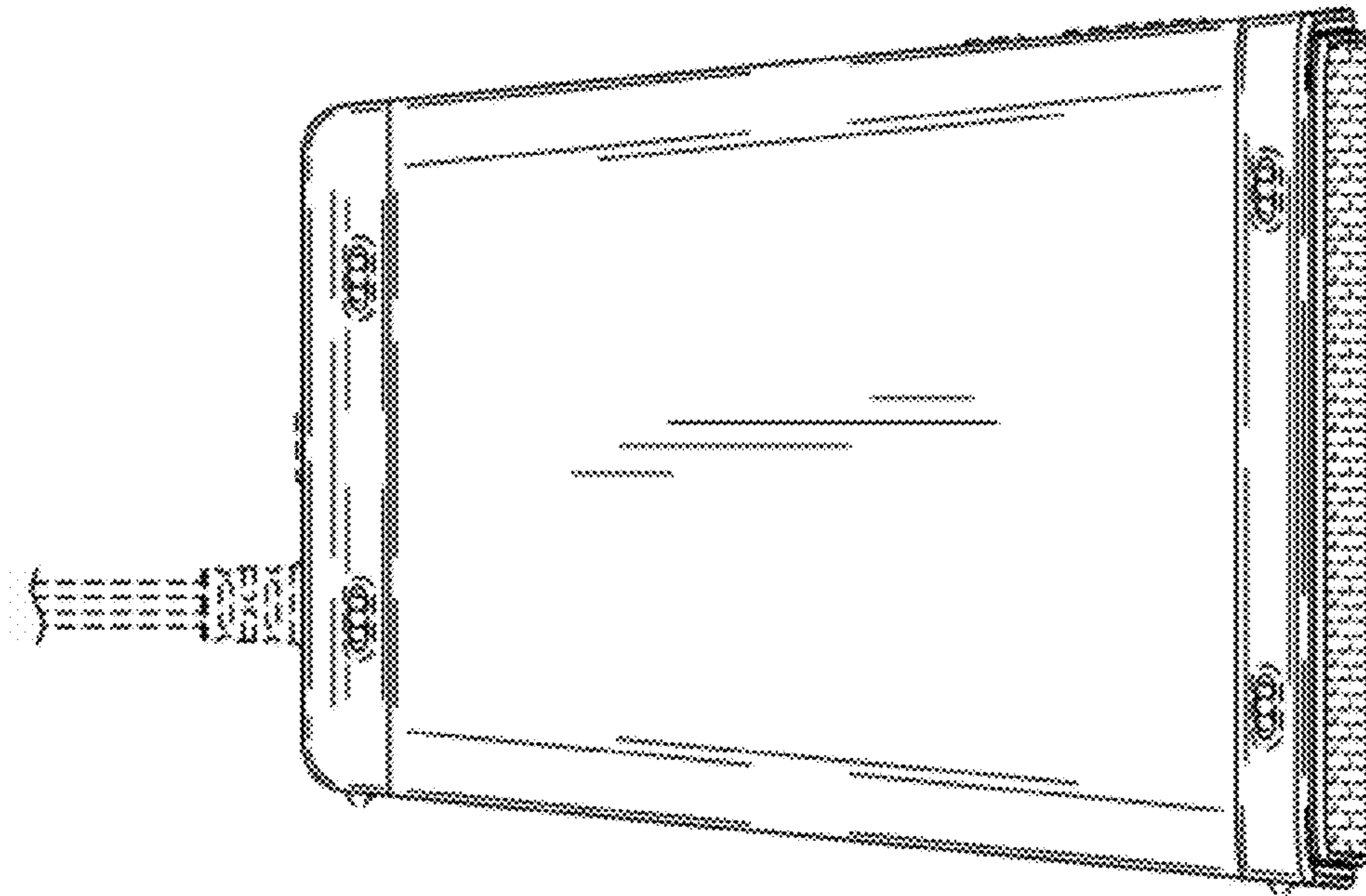


FIG. 6

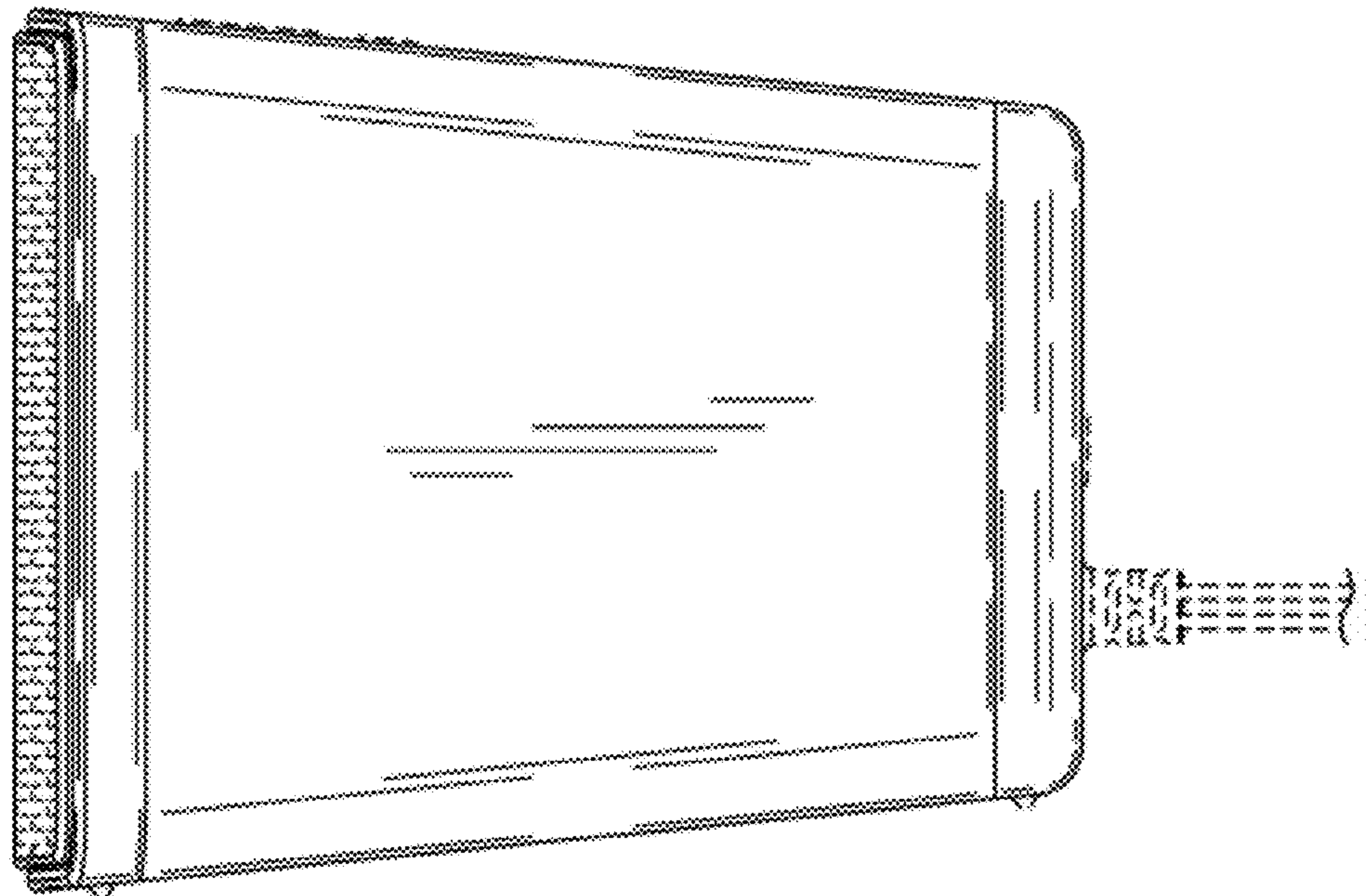


FIG. 7