



US00D672747S

(12) **United States Design Patent**
Khoo et al.

(10) **Patent No.:** **US D672,747 S**
(45) **Date of Patent:** **** Dec. 18, 2012**

(54) **SPEAKER**

(75) Inventors: **Soo Beng Damien Khoo**, Singapore (SG); **Mei San Gigi Cho**, Singapore (SG); **Fei Xiang**, Singapore (SG)

(73) Assignee: **Creative Technology Ltd**, Singapore (SG)

(**) Term: **14 Years**

(21) Appl. No.: **29/394,318**

(22) Filed: **Jun. 15, 2011**

(51) **LOC (9) Cl.** **14-01**

(52) **U.S. Cl.** **D14/214**

(58) **Field of Classification Search** D14/204, D14/209-216, 219, 220; 181/143, 144, 147, 181/148, 150, 151, 198, 199, 153; 381/330-302, 381/306, 333, 345, 361-364, 386-388, 332, 381/336

See application file for complete search history.

(56) **References Cited**

U.S. PATENT DOCUMENTS

4,582,162	A *	4/1986	Katsuno	181/141
4,942,939	A *	7/1990	Harrison	181/156
6,144,752	A *	11/2000	Chen	381/386
D472,542	S *	4/2003	Oikawa	D14/172
D494,565	S *	8/2004	Yao	D14/215

D563,390	S *	3/2008	Vafiadis	D14/215
D579,441	S *	10/2008	Okamura et al.	D14/172
D590,812	S *	4/2009	Muraoka et al.	D14/215
D593,541	S *	6/2009	Muraoka et al.	D14/215
D629,388	S *	12/2010	Son et al.	D14/214
D645,450	S *	9/2011	Chen	D14/215
D653,239	S *	1/2012	Kim et al.	D14/215

* cited by examiner

Primary Examiner — Prabhakar Deshmukh

(74) *Attorney, Agent, or Firm* — Creative Technology Ltd

(57) **CLAIM**

The ornamental design for a speaker, substantially as shown and described.

DESCRIPTION

FIG. 1 is a front and right side perspective view of a speaker showing our new design;

FIG. 2 is a rear and left side perspective view thereof;

FIG. 3 is a front elevational view thereof;

FIG. 4 is rear elevational view thereof;

FIG. 5 is a left side elevational view thereof;

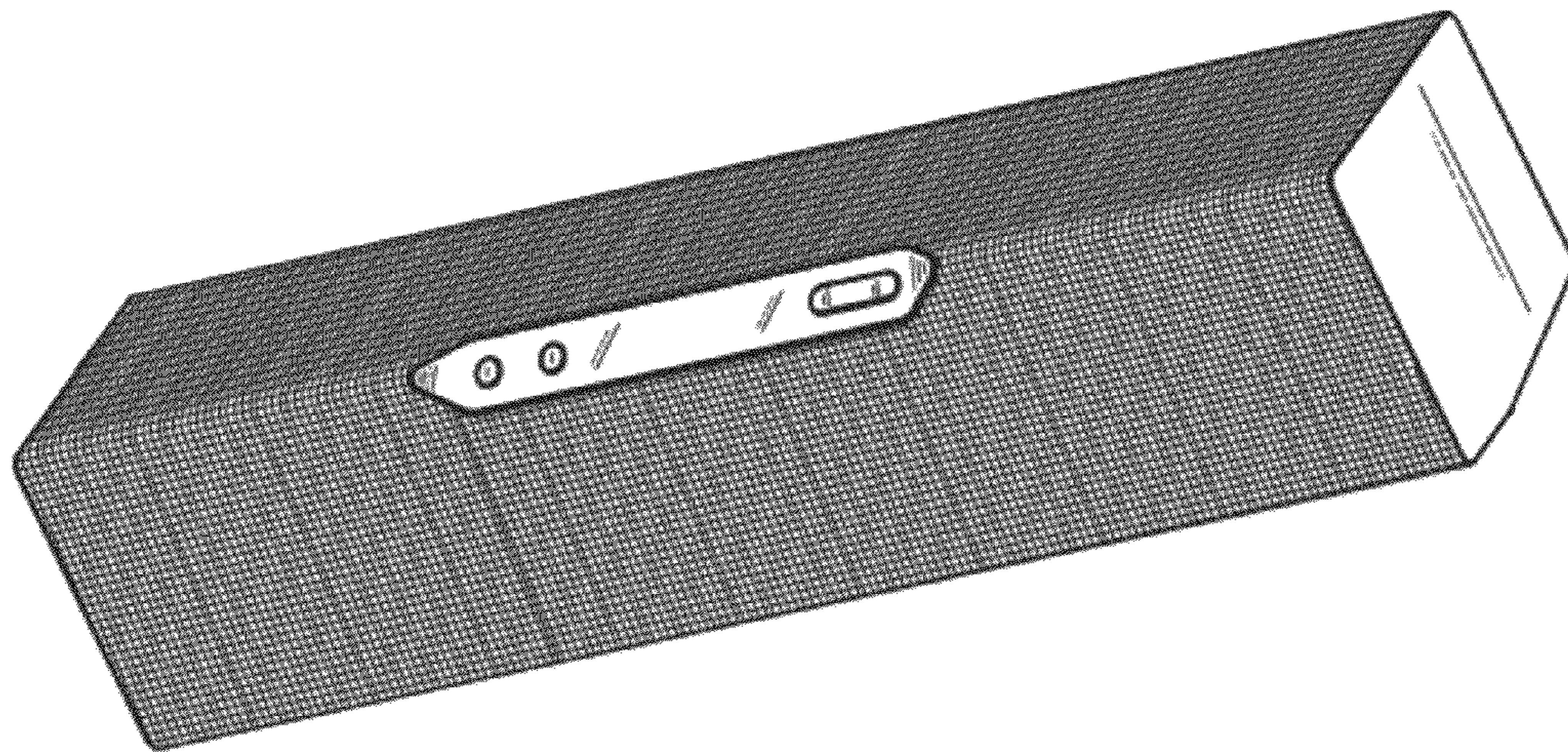
FIG. 6 is a right side elevational view thereof;

FIG. 7 is a top plan view thereof; and,

FIG. 8 is a bottom plan view thereof.

The broken lines depicted in FIGS. 2 and 4 represent the bounds of the claimed design, the broken lines are for illustrative purposes only and form no part of the claimed design.

1 Claim, 4 Drawing Sheets



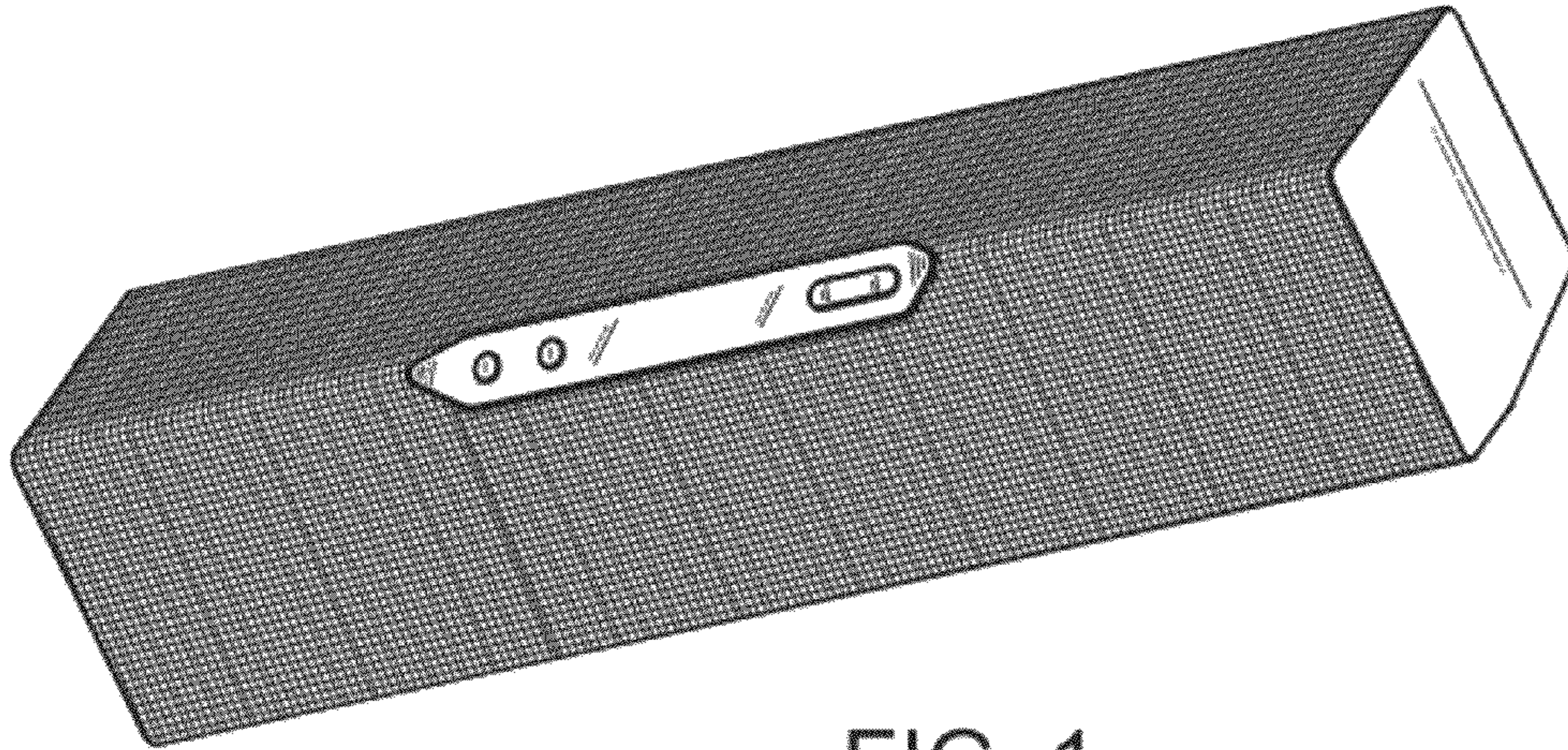


FIG. 1

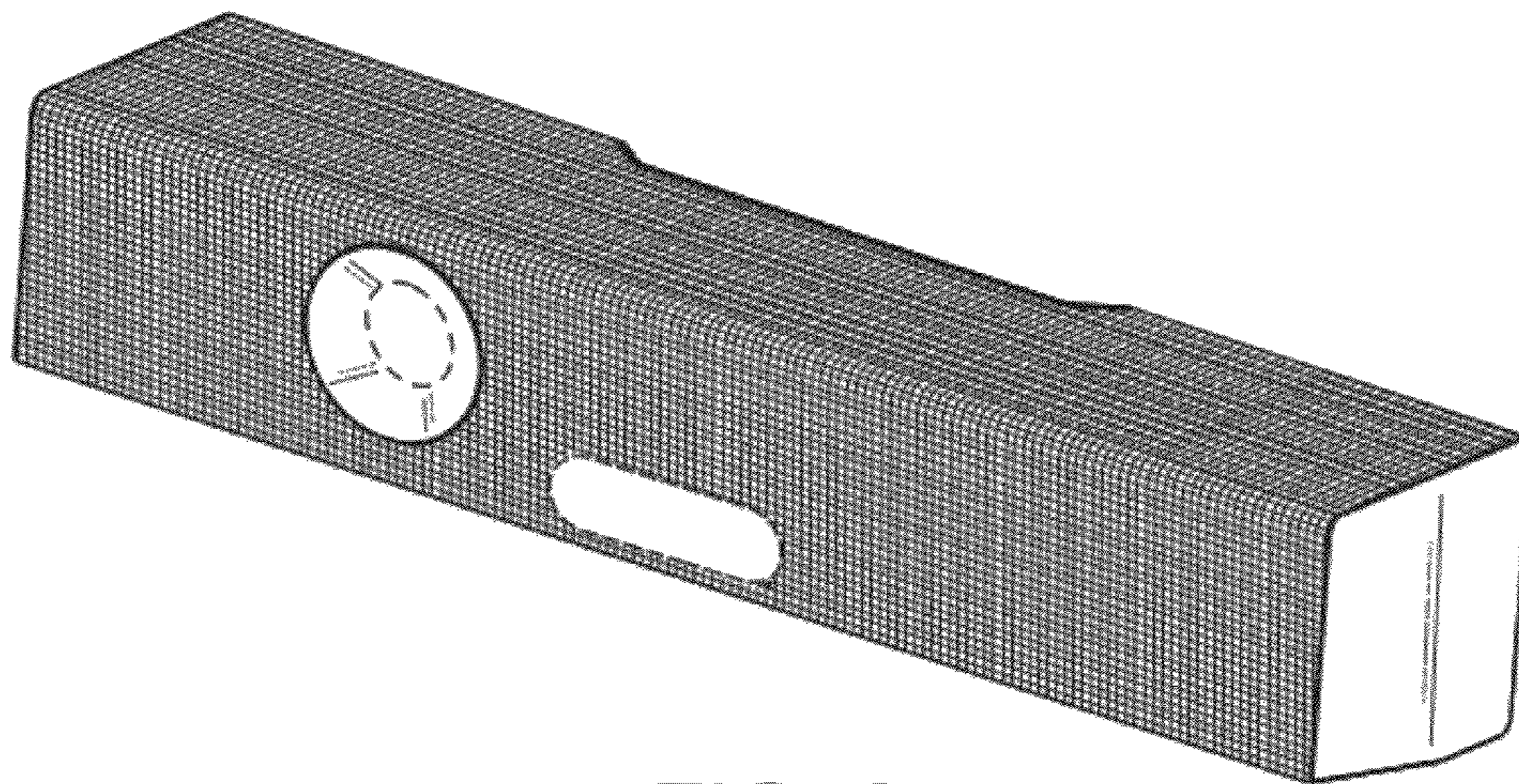


FIG. 2

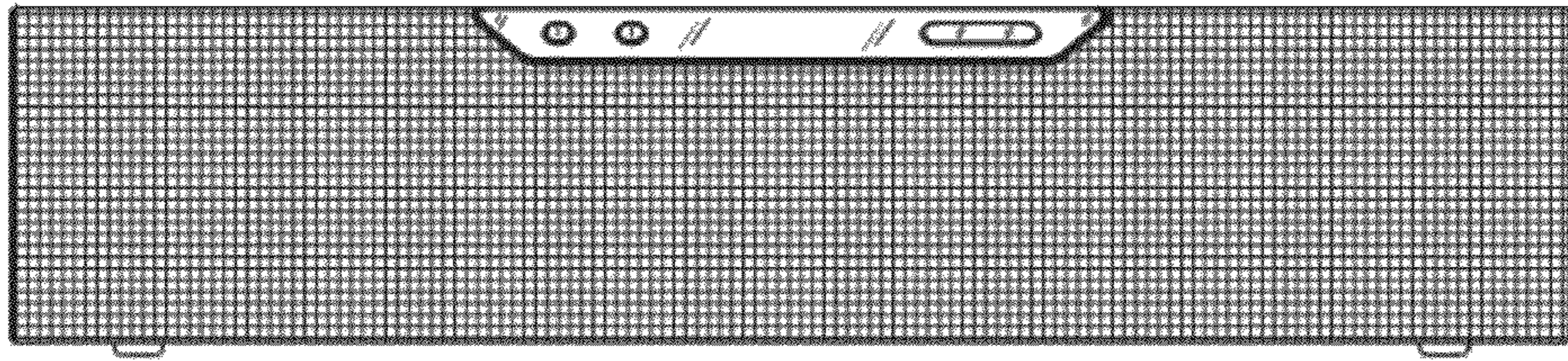


FIG. 3

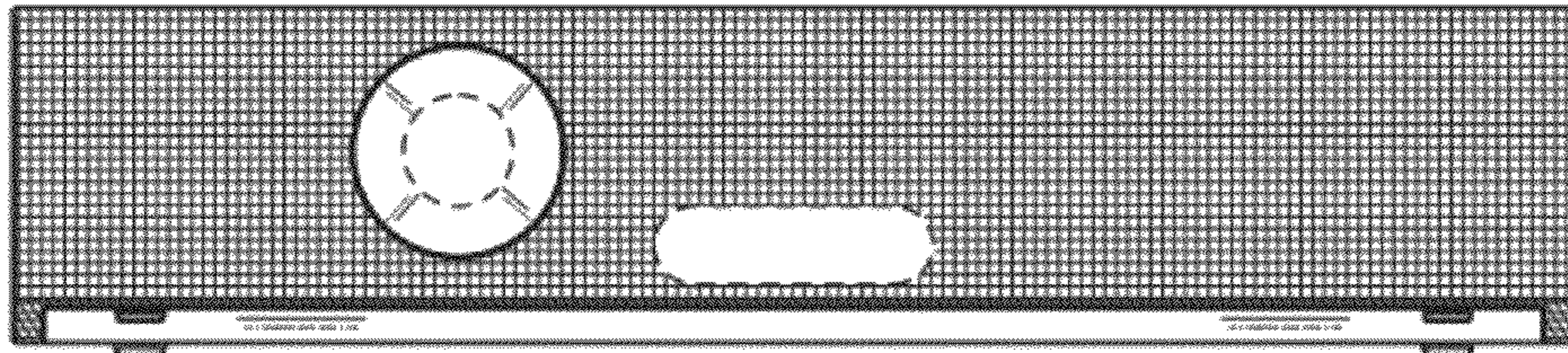


FIG. 4

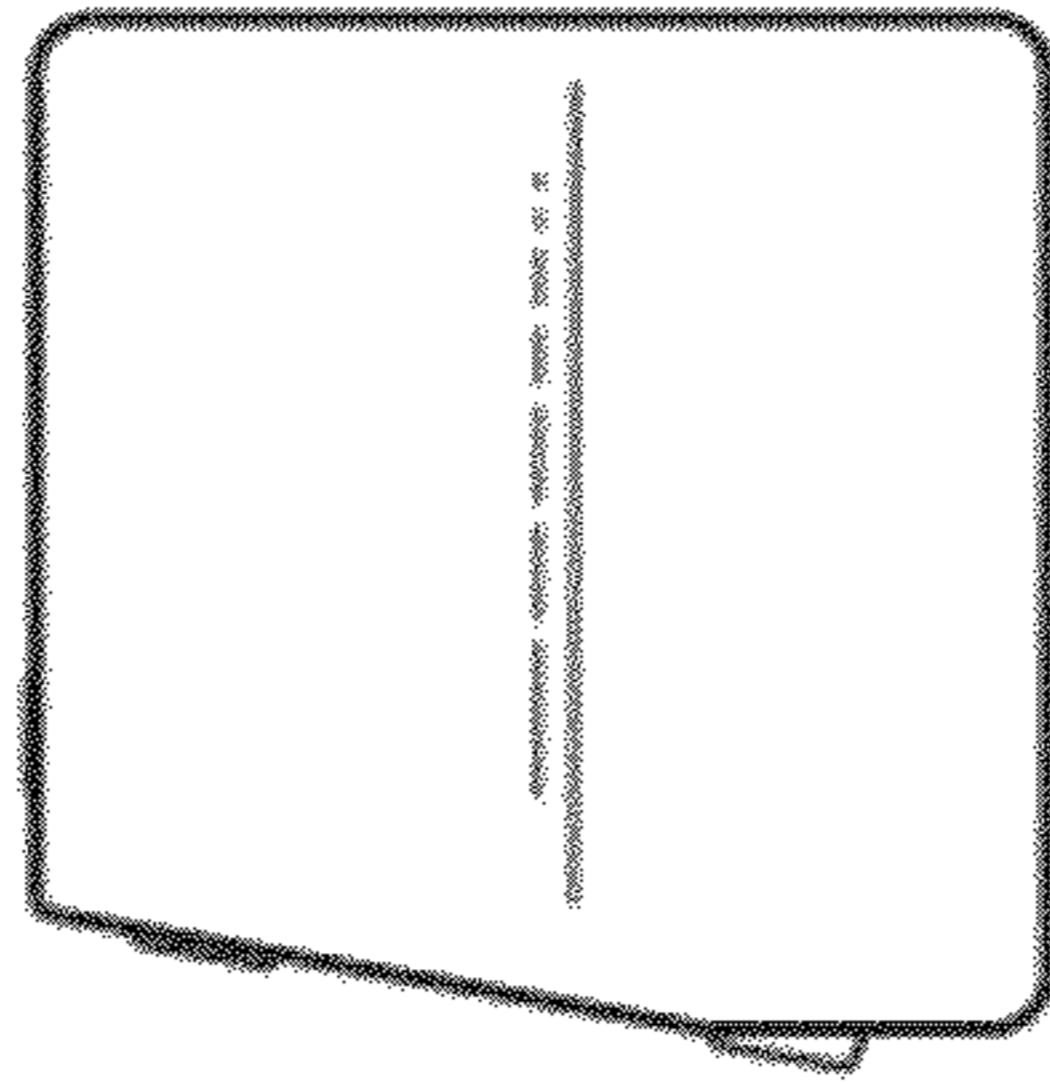


FIG. 5

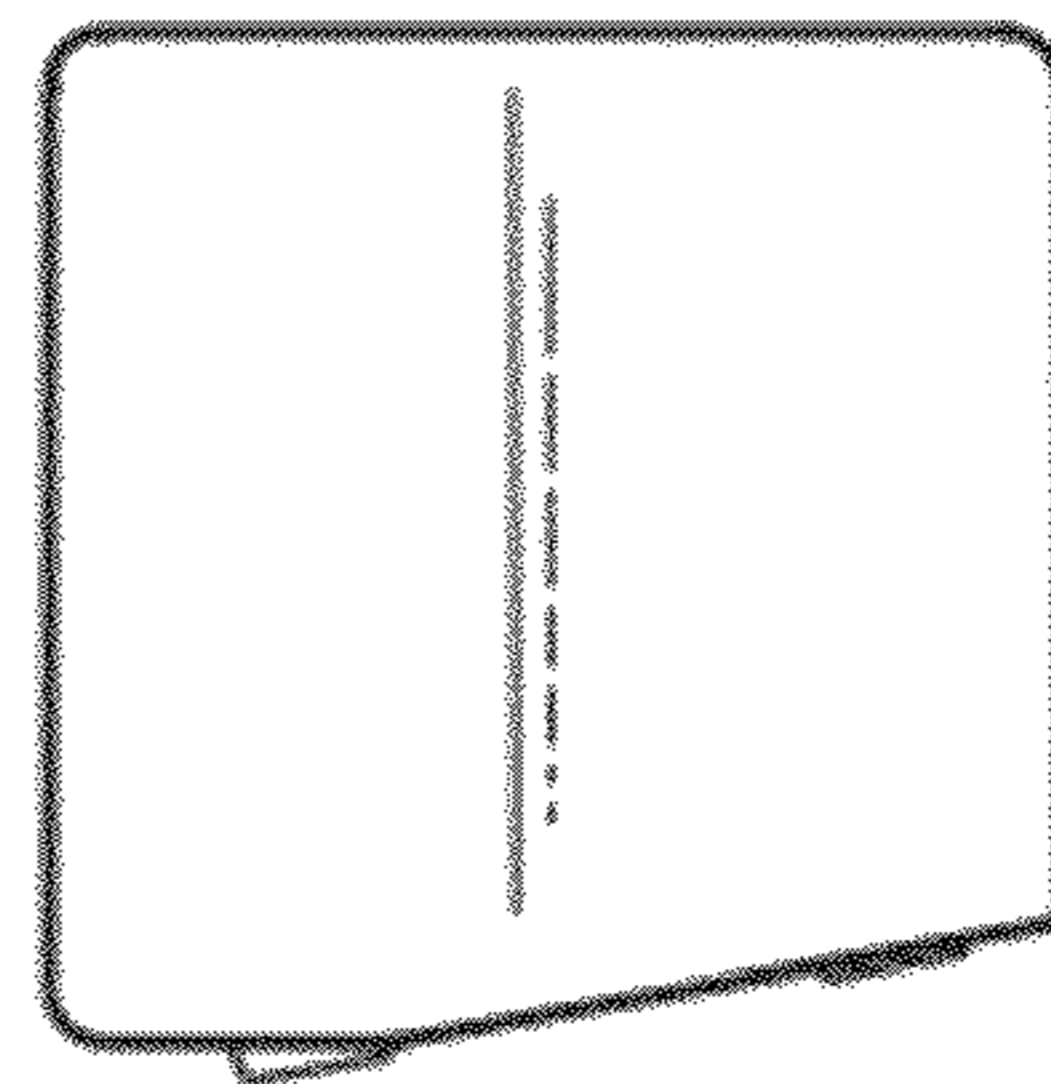


FIG. 6

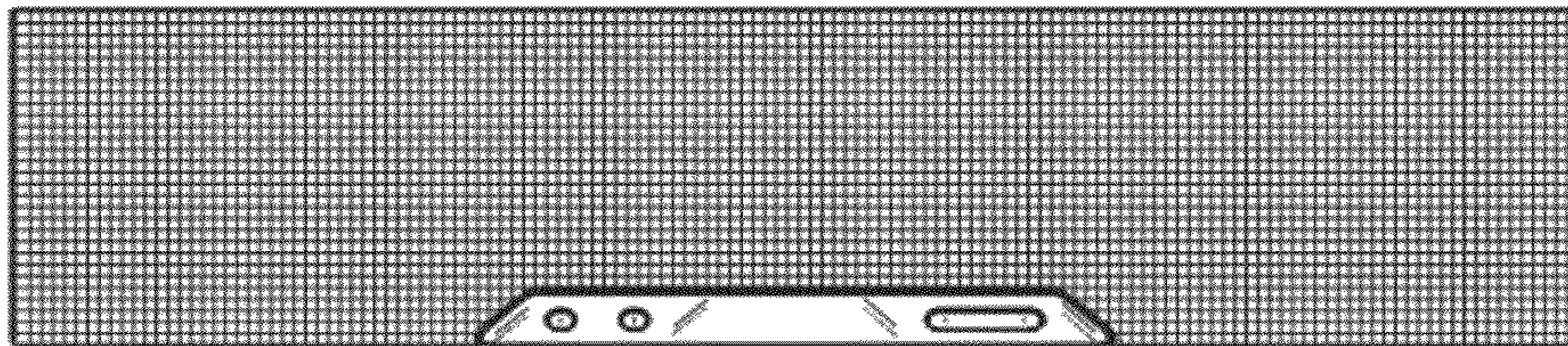


FIG. 7

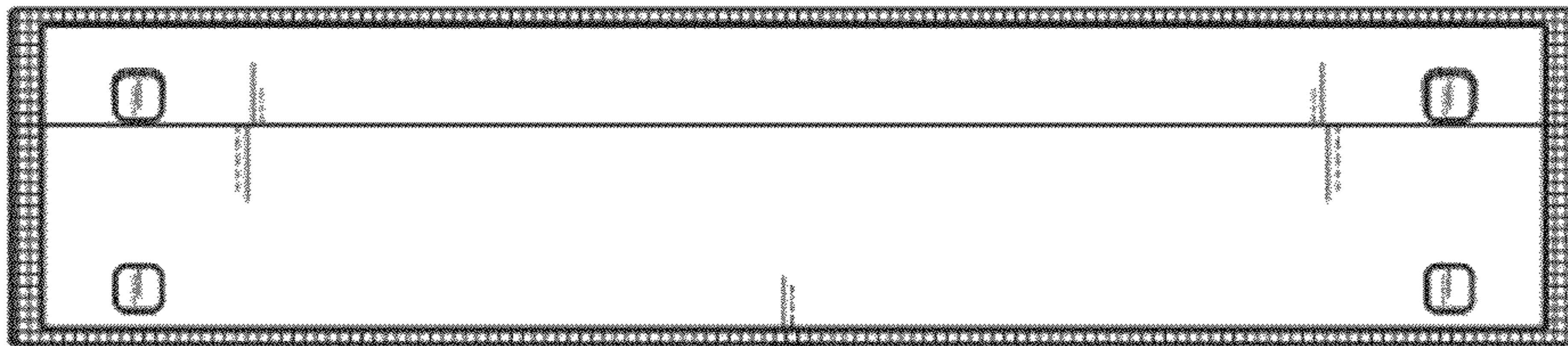


FIG. 8