



US00D672745S

(12) **United States Design Patent**
Abed et al.

(10) **Patent No.:** **US D672,745 S**
(45) **Date of Patent:** **** Dec. 18, 2012**

(54) **HEADSET WITH MICROPHONE**
(75) Inventors: **Tark Abed**, Palo Alto, CA (US); **Gerard Lambert Block**, West Hollywood, CA (US); **Nicholas Peter deSomov**, Encino, CA (US); **Bradley M. Strahle**, Crestline, CA (US)

(73) Assignee: **Performance Designed Products LLC**, Sherman Oaks, CA (US)

(**) Term: **14 Years**

(21) Appl. No.: **29/405,500**

(22) Filed: **Nov. 2, 2011**

(51) **LOC (9) Cl.** **14-01**

(52) **U.S. Cl.** **D14/205**

(58) **Field of Classification Search** D14/205,
D14/206, 223, 142; 181/129, 130, 135; 379/430,
379/431; 381/380, 381; 455/90.3, 575.1;
D29/112; 2/209

See application file for complete search history.

(56) **References Cited**

U.S. PATENT DOCUMENTS

5,018,599	A *	5/1991	Dohi et al.	181/129
D358,390	S *	5/1995	Hayashi	D14/205
5,420,381	A *	5/1995	Gardner et al.	181/129
5,793,878	A *	8/1998	Chang	381/370
D518,479	S *	4/2006	Skulley	D14/225
D523,846	S *	6/2006	Lee	D14/205
D540,303	S *	4/2007	Rausch et al.	D14/205

D541,256	S *	4/2007	Rausch et al.	D14/205
D635,958	S *	4/2011	Ando et al.	D14/205
D637,176	S *	5/2011	Brunner et al.	D14/205
D641,738	S *	7/2011	Perez	D14/223
D645,023	S *	9/2011	Brandis	D14/206
D654,471	S *	2/2012	Fischer	D14/206
D656,481	S *	3/2012	McManigal	D14/205
D662,490	S *	6/2012	McSweyn	D14/205
D662,912	S *	7/2012	Iijima et al.	D14/205

* cited by examiner

Primary Examiner — Paula Greene

(74) *Attorney, Agent, or Firm* — Sheppard Mullin Richter & Hampton LLP

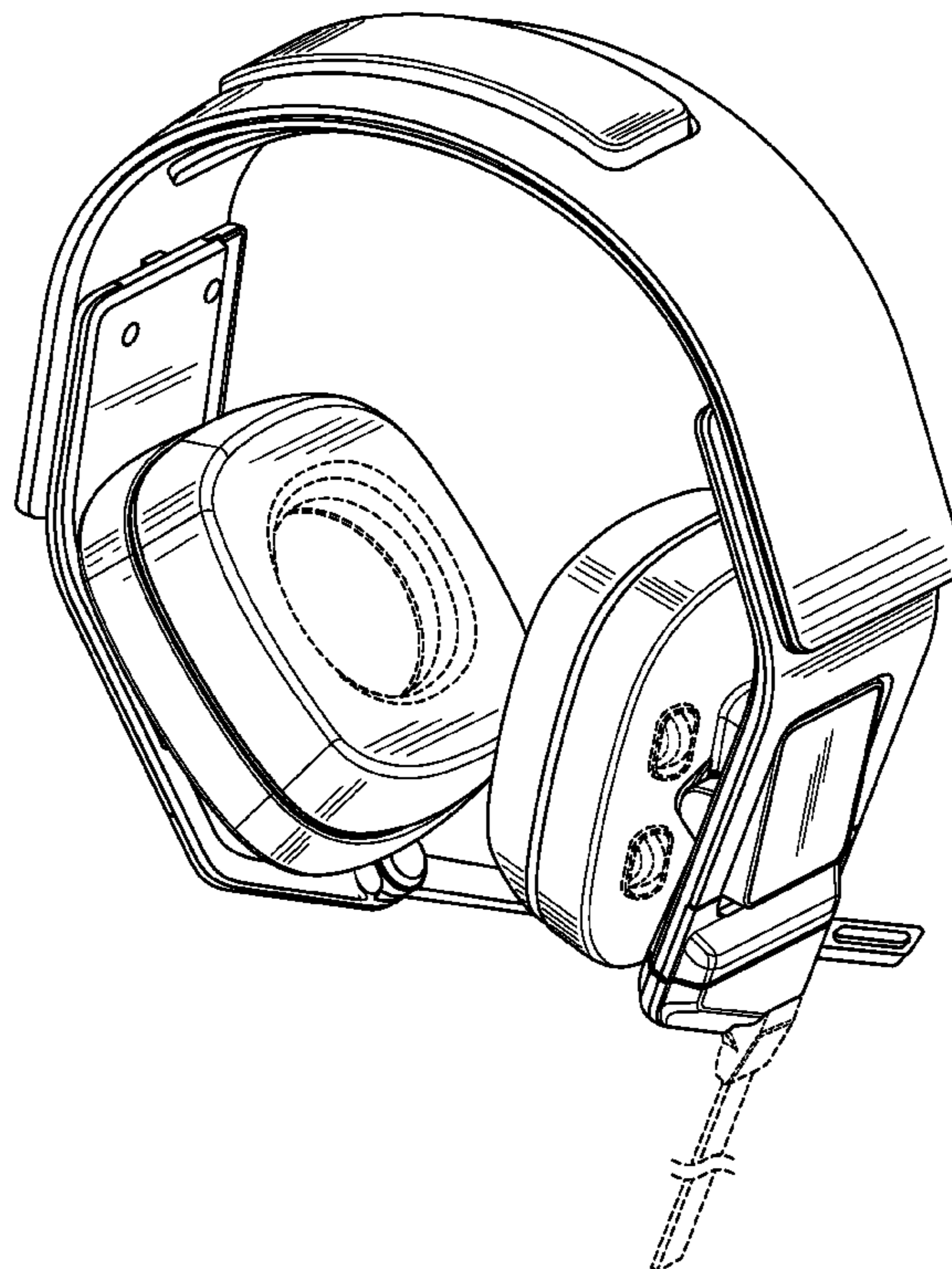
(57) **CLAIM**

We claim the ornamental design for a headset with microphone, as shown and described.

DESCRIPTION

FIG. 1 is a perspective view of a headset with microphone embodying the new design, where the front face of the right-facing earphone cushion is a mirror image of the front face of the left-facing earphone cushion;
FIG. 2 is a rear elevation view thereof;
FIG. 3 is a front elevation view thereof;
FIG. 4 is a side elevation view thereof;
FIG. 5 is another side elevation view thereof;
FIG. 6 is top view thereof; and,
FIG. 7 is bottom view thereof.
The broken lines illustrate portions of the headset with microphone that form no part of the claimed design.

1 Claim, 7 Drawing Sheets



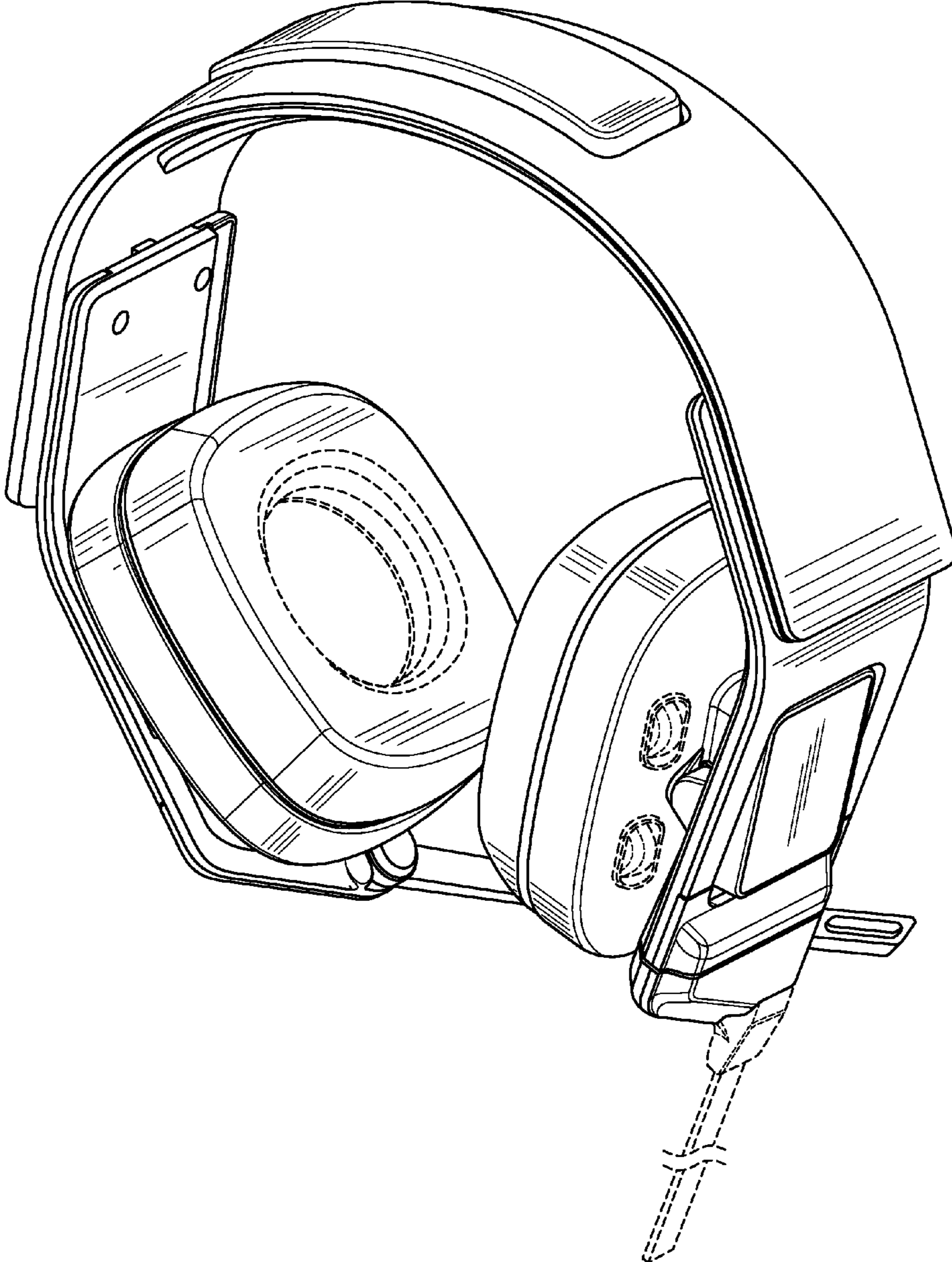


FIG. 1

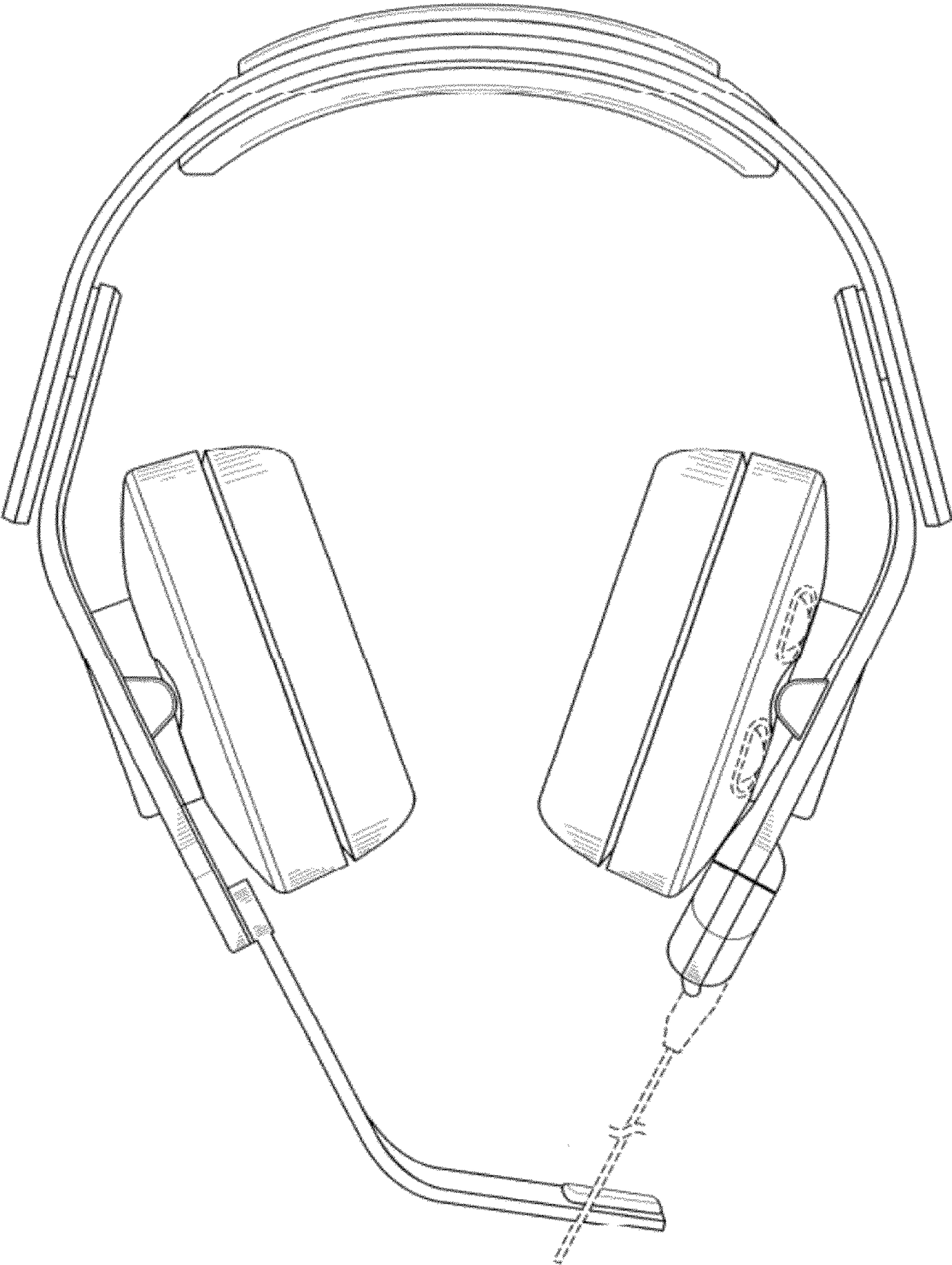


FIG. 2



FIG. 3

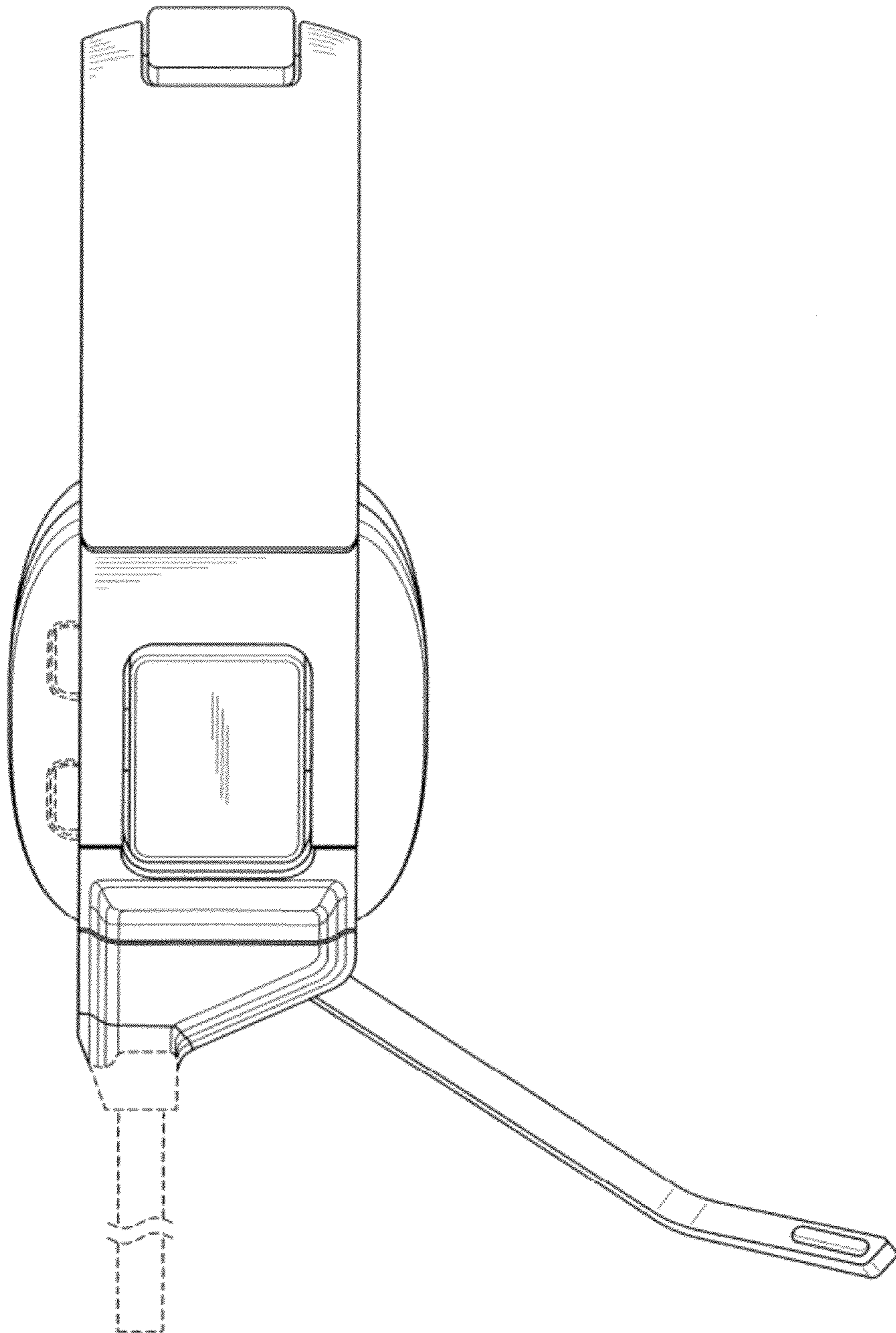


FIG. 4

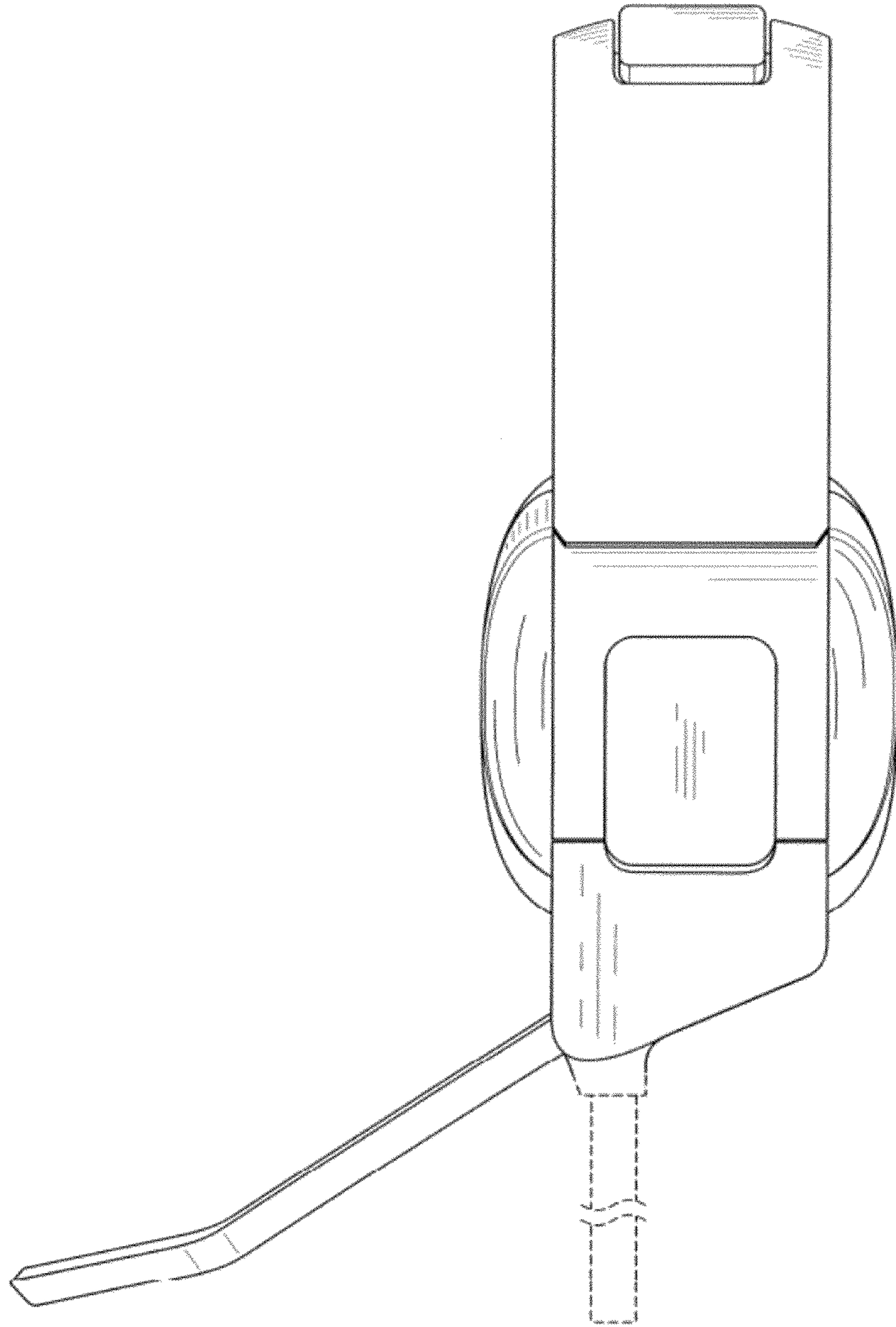


FIG. 5

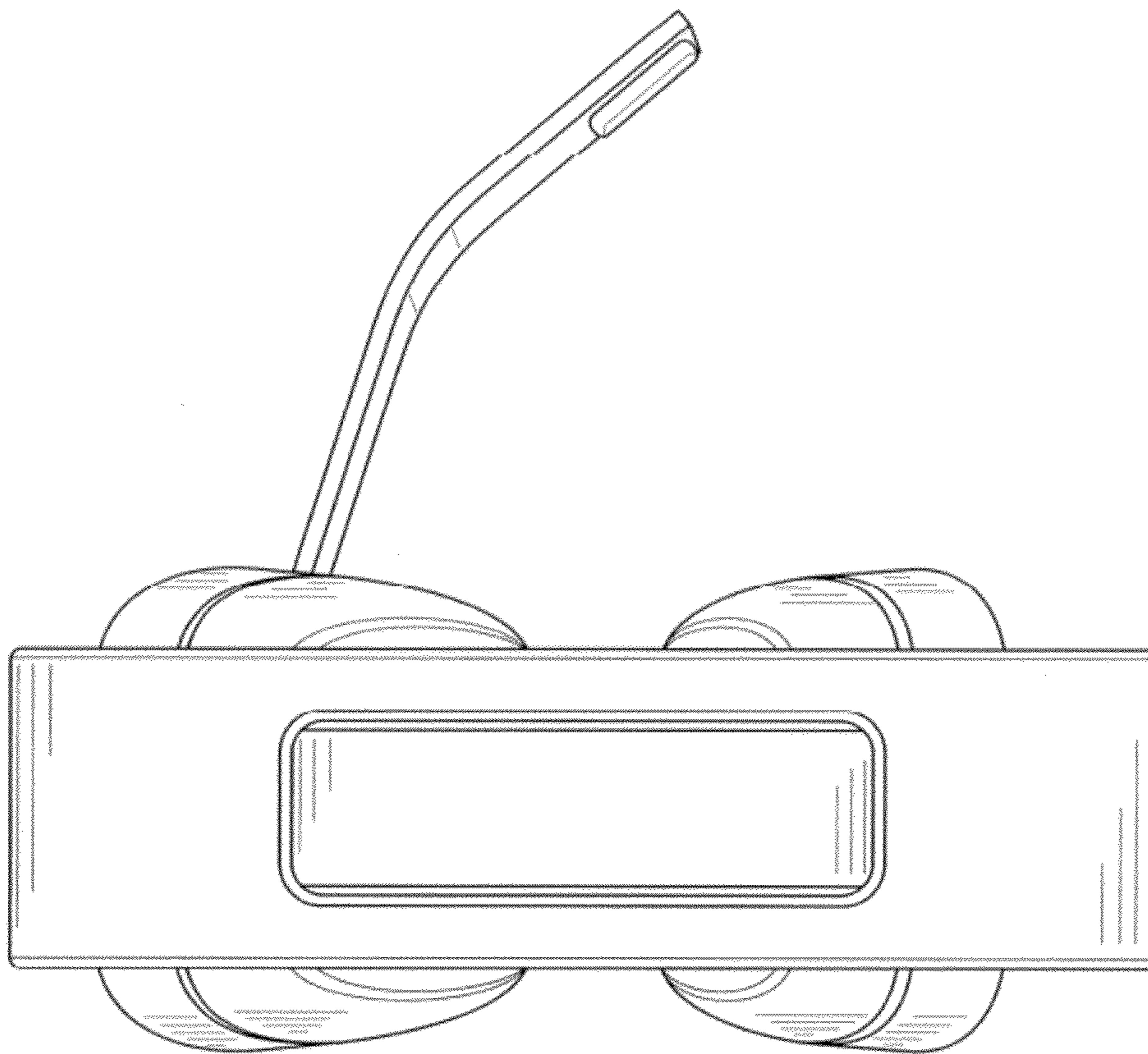


FIG. 6

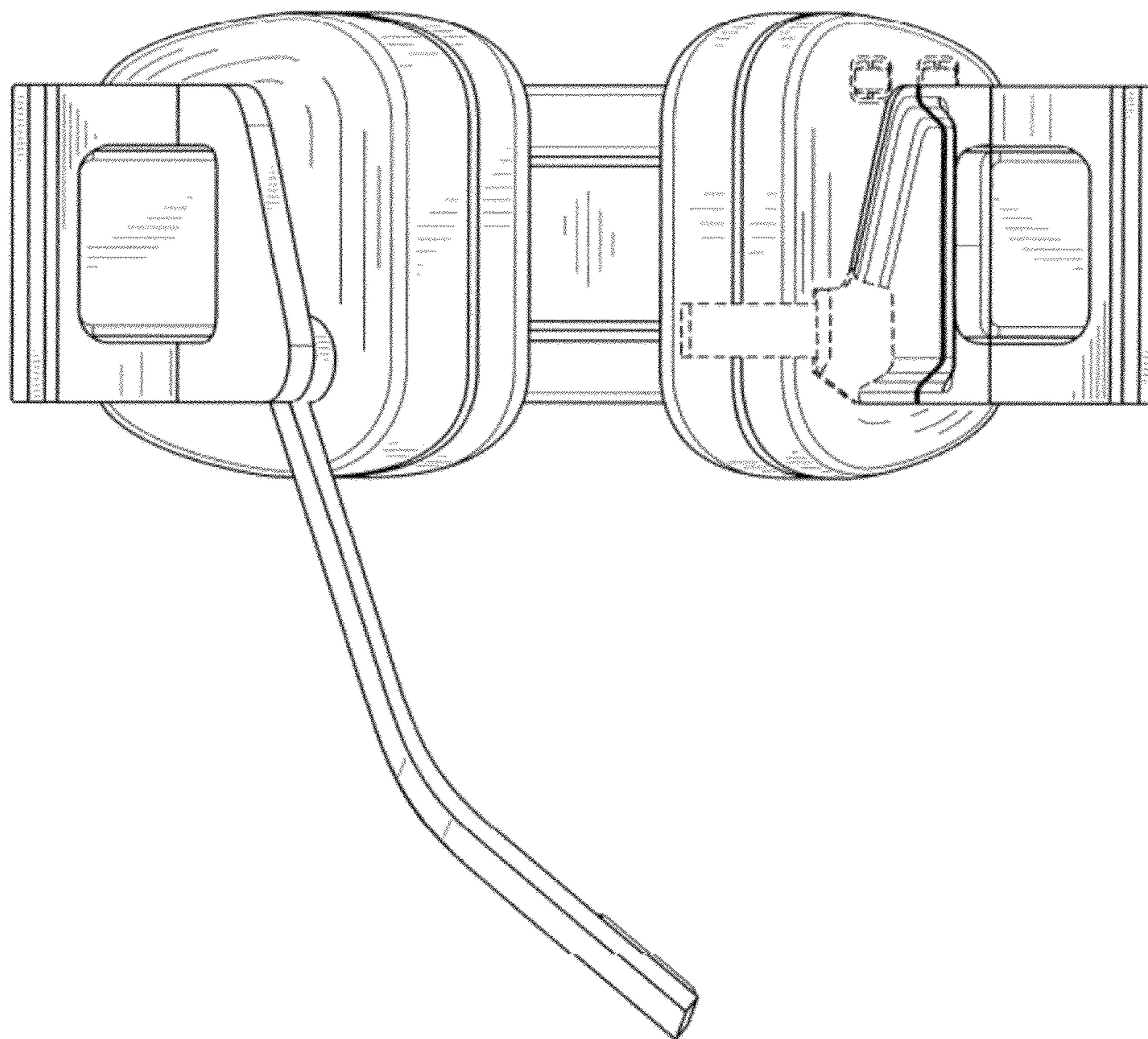


FIG. 7