



US00D672743S

(12) **United States Design Patent**  
**Suzuki et al.**

(10) **Patent No.:** **US D672,743 S**

(45) **Date of Patent:** **\*\* Dec. 18, 2012**

(54) **DIGITAL AUDIO DISC PLAYER WITH RADIO  
TUNER FOR AUTOMOBILE**

D611,059 S \* 3/2010 Sugita ..... D14/505  
D637,993 S \* 5/2011 Yamamoto ..... D14/157  
D645,464 S \* 9/2011 Kimura ..... D14/257

(75) Inventors: **Yasuhiro Suzuki**, Tokyo (JP); **Rika  
Morikawa**, Tokyo (JP)

\* cited by examiner

(73) Assignee: **Kabushiki Kaisha Kenwood**, Tokyo  
(JP)

*Primary Examiner* — Keli L Hill

(74) *Attorney, Agent, or Firm* — Osha Liang LLP

(\*\*) Term: **14 Years**

(57) **CLAIM**

The ornamental design for a digital audio disc player with  
radio tuner for automobile, as shown and described.

(21) Appl. No.: **29/399,050**

**DESCRIPTION**

(22) Filed: **Aug. 9, 2011**

(30) **Foreign Application Priority Data**

Mar. 22, 2011 (JP) ..... D2011-006380

(51) **LOC (9) Cl.** ..... **14-03**

(52) **U.S. Cl.** ..... **D14/157; D14/258; D14/505**

(58) **Field of Classification Search** ..... D14/131,  
D14/132, 137, 155, 157, 168-171, 188, 194,  
D14/197, 198, 239, 257, 258, 496, 498-508;  
455/90.1-90.3, 344-355; 369/6-12

See application file for complete search history.

FIG. 1 is a perspective view of the front, right, and top of a  
digital audio disc player for an automobile illustrating the  
present design.

FIG. 2 is a front view of the digital audio disc player for an  
automobile of FIG. 1.

FIG. 3 is a rear view of the digital audio disc player for an  
automobile of FIG. 1.

FIG. 4 is a left side view of the digital audio disc player for an  
automobile of FIG. 1.

FIG. 5 is a right side view of the digital audio disc player for  
an automobile of FIG. 1.

FIG. 6 is a top view of the digital audio disc player for an  
automobile of FIG. 1; and,

FIG. 7 is a bottom view of the digital audio disc player for an  
automobile of FIG. 1.

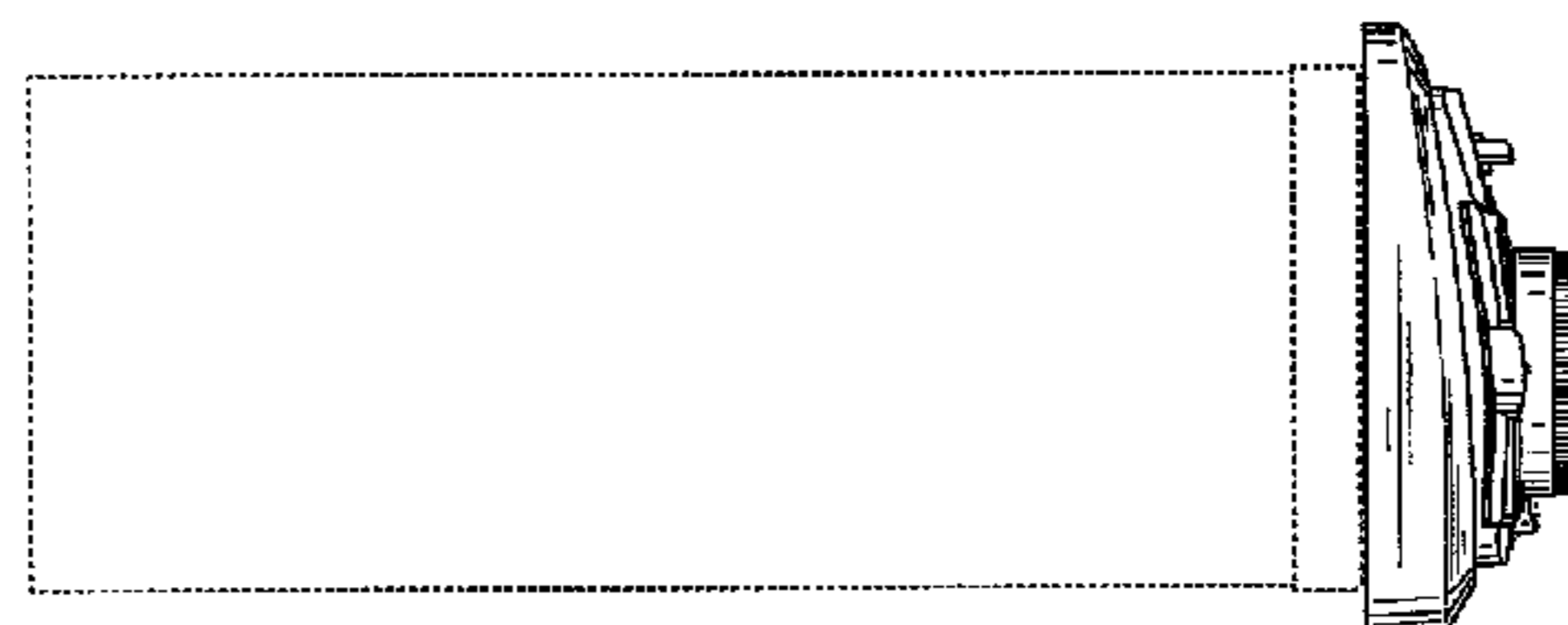
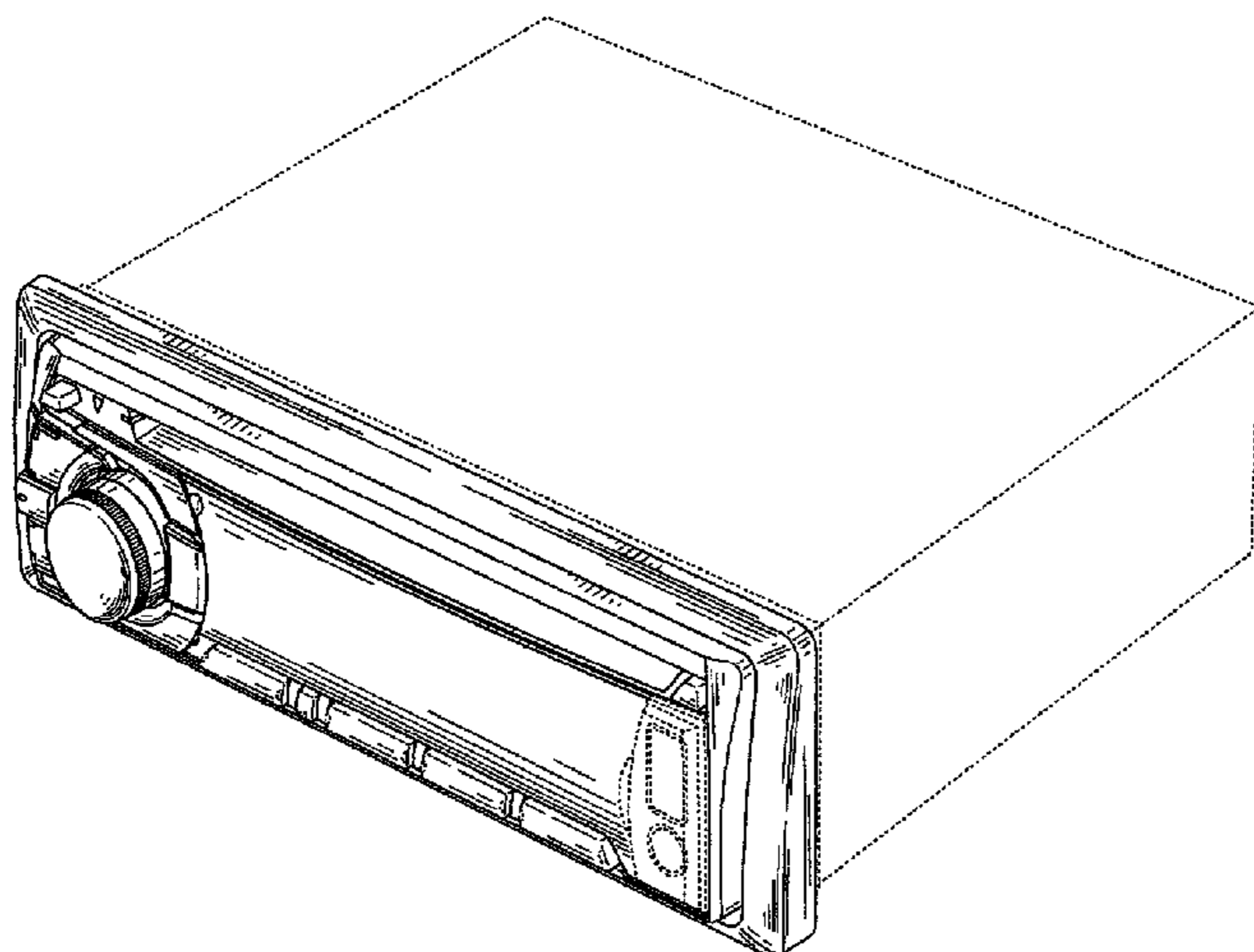
The broken lines shown are included for the purpose of illus-  
trating the unclaimed portions of the digital audio disc player  
with radio tuner for automobile and form no part of the claim.

(56) **References Cited**

**U.S. PATENT DOCUMENTS**

D522,489 S \* 6/2006 Yoshihara ..... D14/157  
D565,535 S \* 4/2008 Muto ..... D14/157  
D585,403 S \* 1/2009 Wada ..... D14/500  
D587,674 S \* 3/2009 Uehara et al. .... D14/157

**1 Claim, 5 Drawing Sheets**



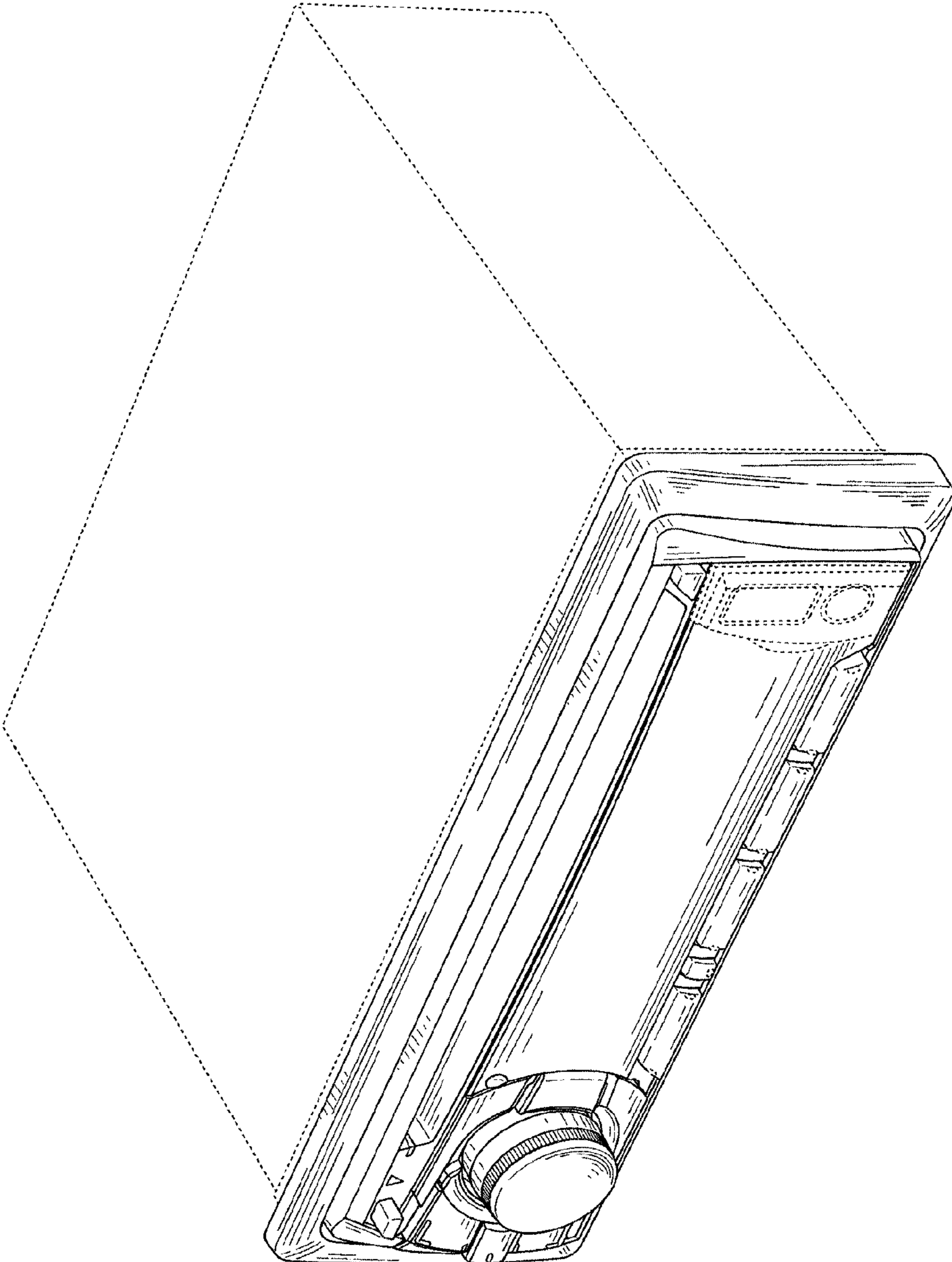


FIG. 1

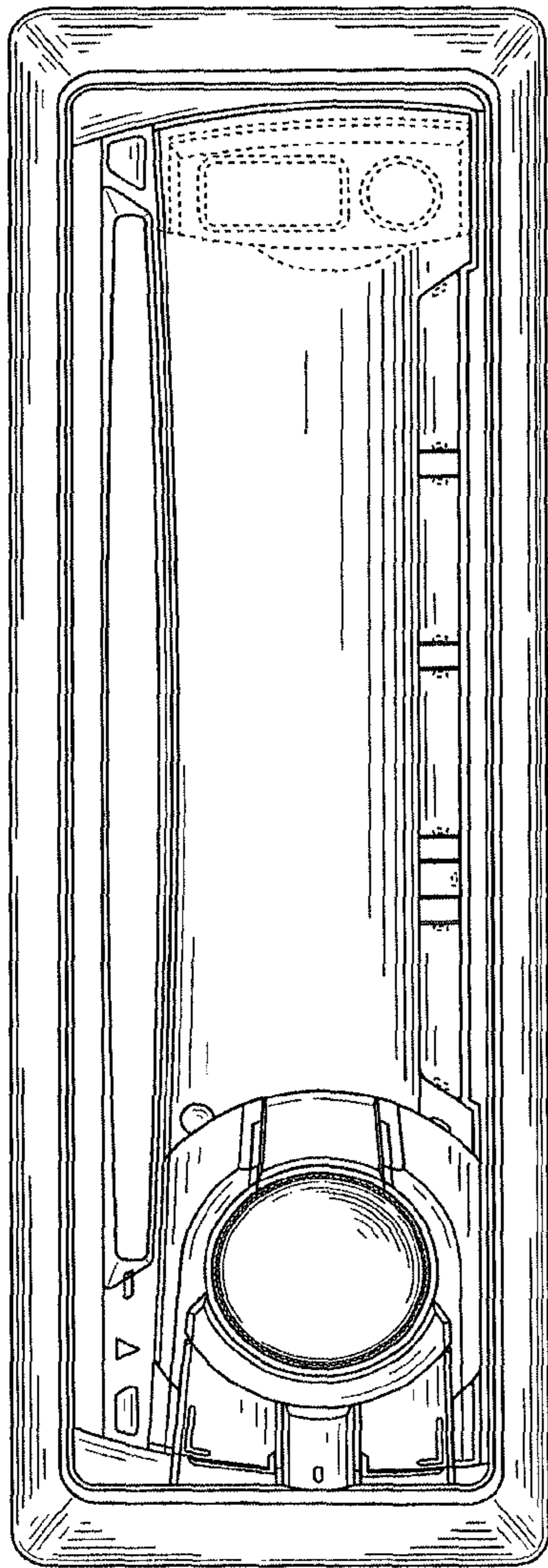


FIG. 2

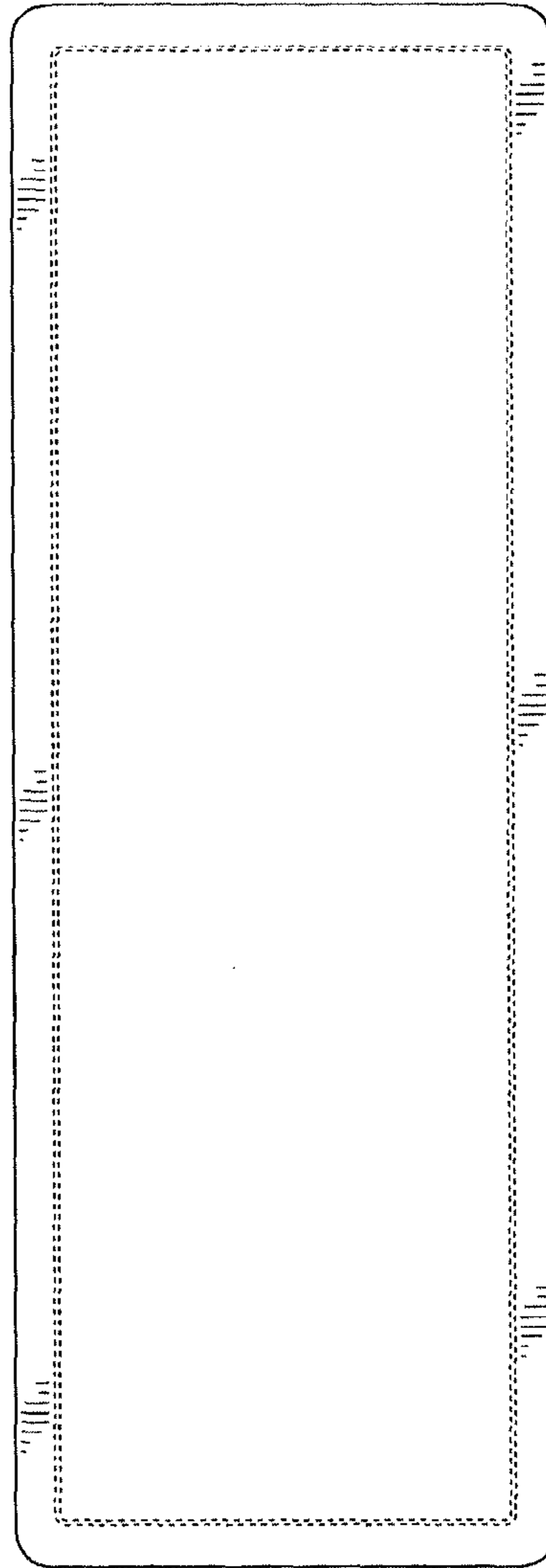


FIG. 3

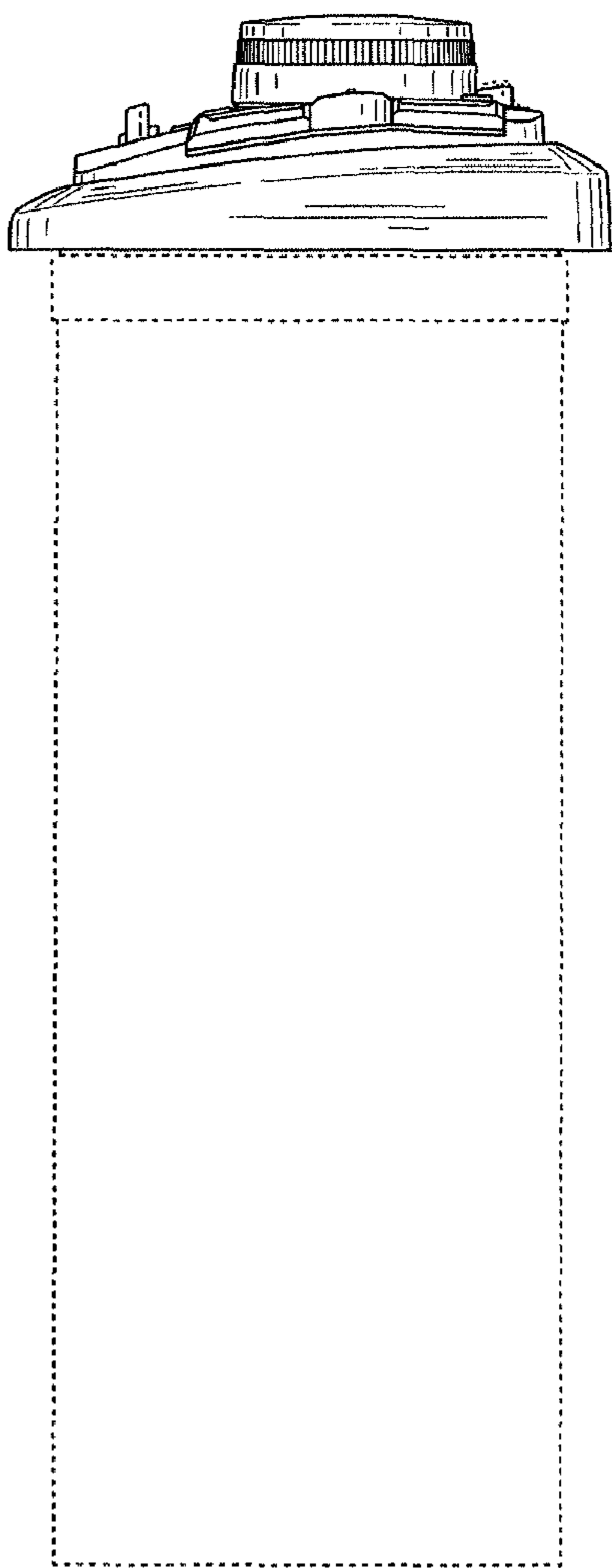


FIG. 4

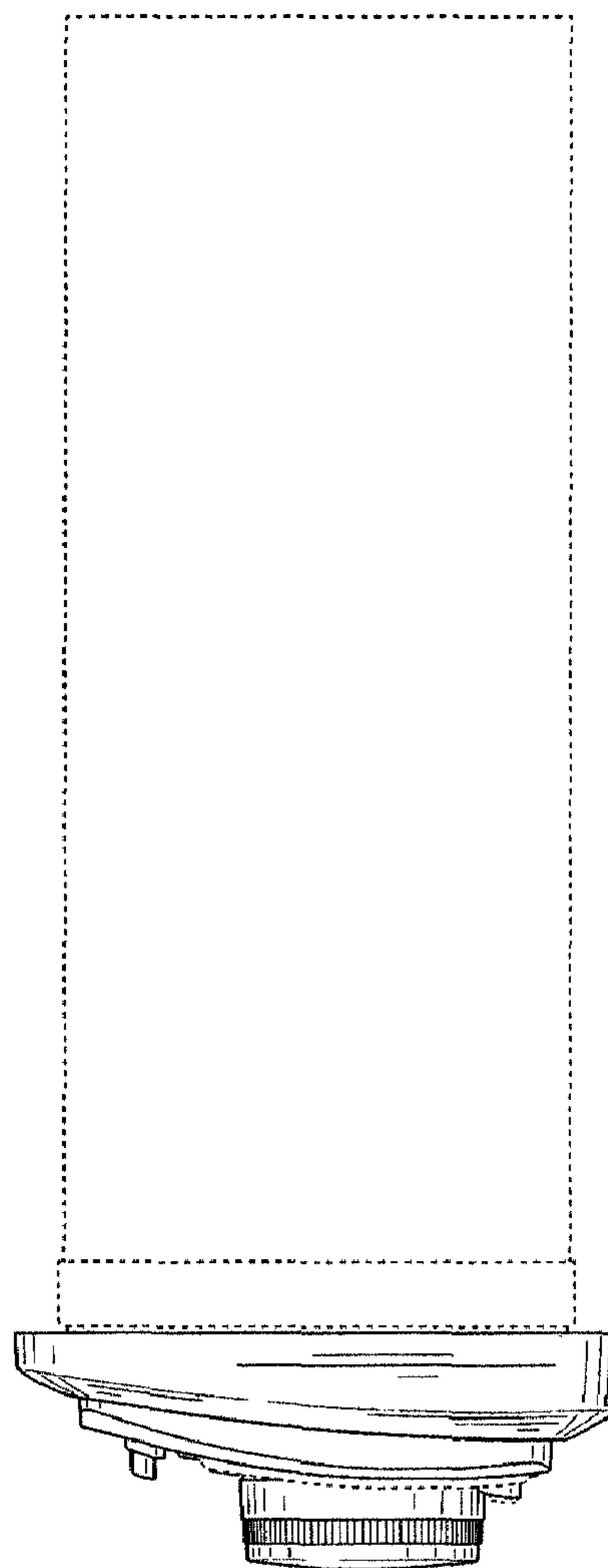


FIG. 5

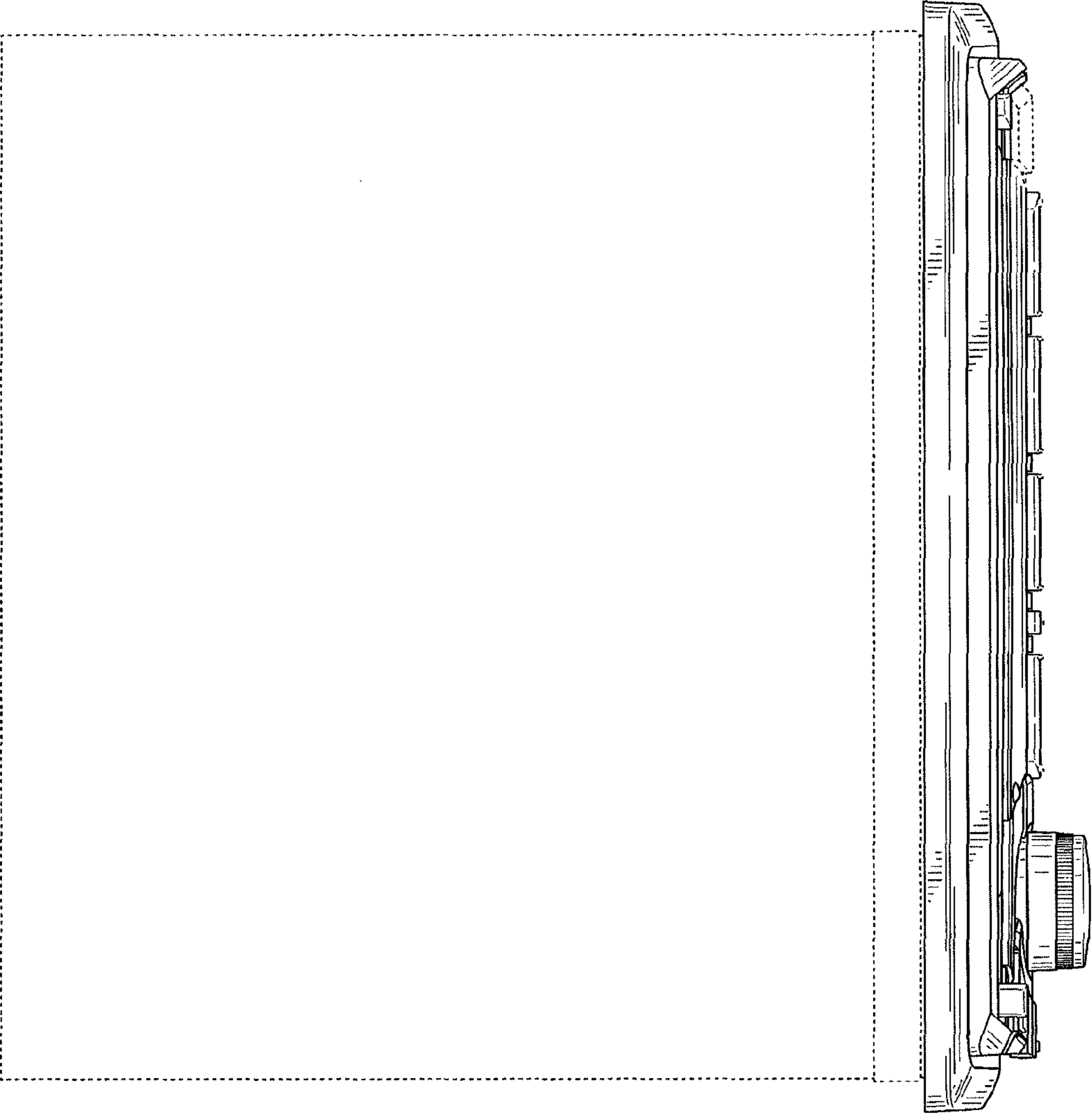


FIG. 6



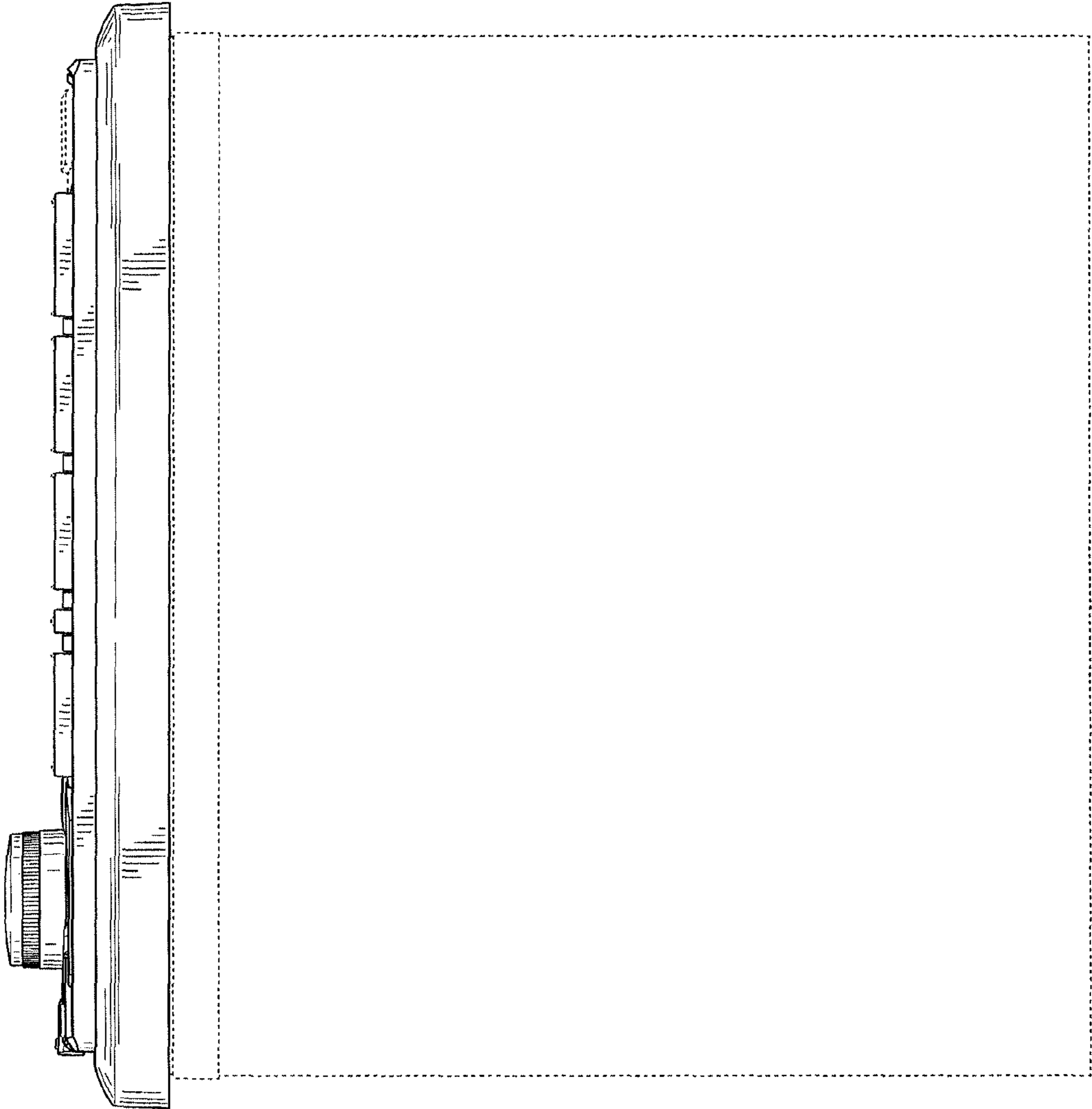


FIG. 7