



US00D672742S

(12) **United States Design Patent**
Katsuno

(10) **Patent No.:** **US D672,742 S**

(45) **Date of Patent:** **** Dec. 18, 2012**

(54) **IN-VEHICLE DIGITAL AUDIO PLAYER**

(75) Inventor: **Keita Katsuno**, Saitama (JP)

(73) Assignee: **Clarion Co., Ltd.**, Tokyo (JP)

(**) Term: **14 Years**

(21) Appl. No.: **29/387,544**

(22) Filed: **Mar. 15, 2011**

(30) **Foreign Application Priority Data**

Sep. 15, 2010 (JP) 2010-22258

(51) **LOC (9) Cl.** **14-03**

(52) **U.S. Cl.** **D14/157; D14/258; D14/502**

(58) **Field of Classification Search** D14/131,
D14/132, 137, 155, 157, 168-171, 188, 194,
D14/197, 198, 239, 257, 258, 496, 498-508;
455/90.1-90.3, 344-355; 369/6-12
See application file for complete search history.

(56) **References Cited**

U.S. PATENT DOCUMENTS

D448,357 S * 9/2001 Oku D14/506

D538,257 S * 3/2007 Shimizu D14/506

D556,713 S * 12/2007 Miyawaki D14/502
D576,160 S * 9/2008 Sei et al. D14/258
D635,970 S * 4/2011 Ichikawa et al. D14/258

* cited by examiner

Primary Examiner — Keli L Hill

(74) *Attorney, Agent, or Firm* — Scully, Scott, Murphy & Presser, P.C.

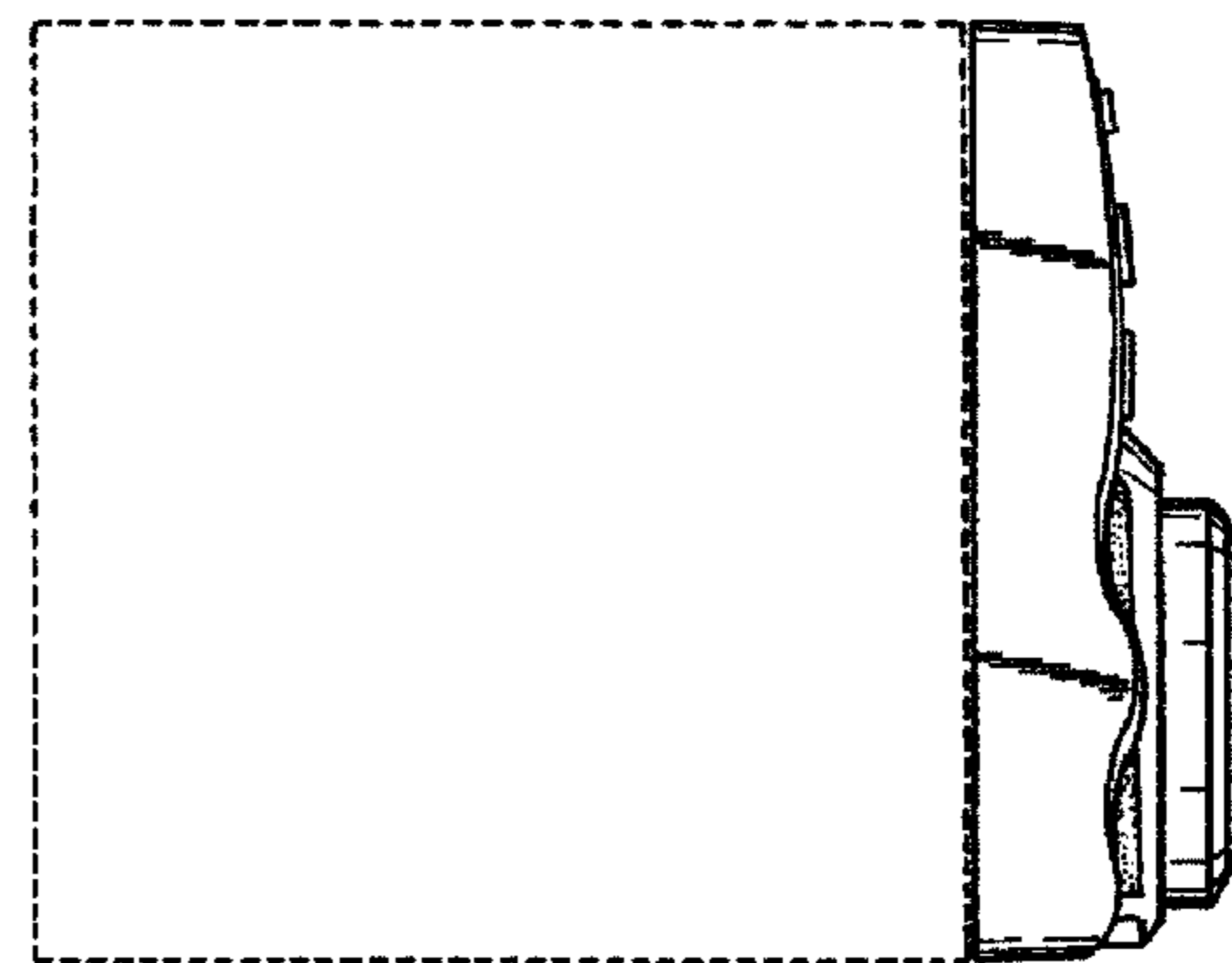
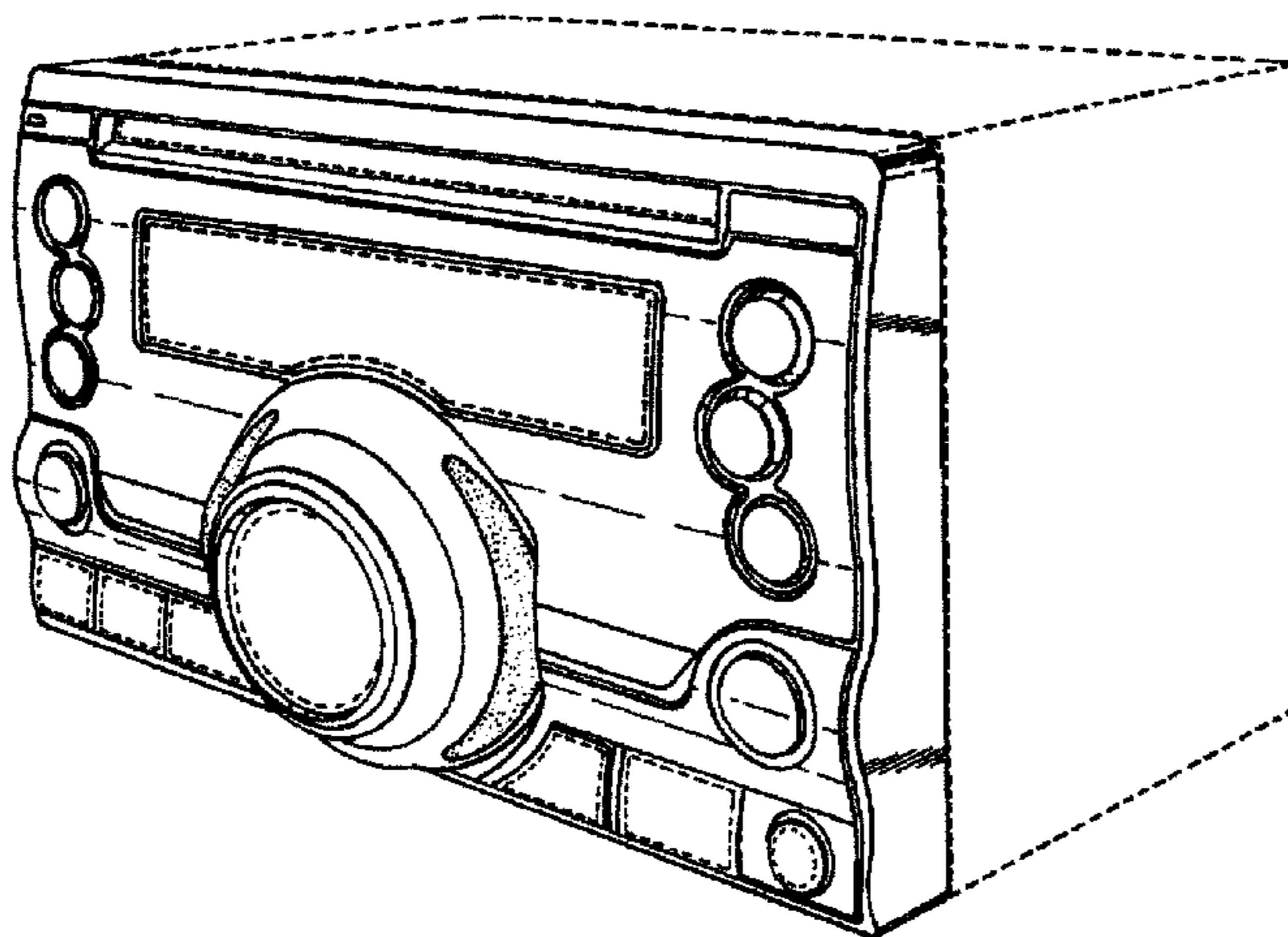
(57) **CLAIM**

The ornamental design for an in-vehicle digital audio player, as shown and described.

DESCRIPTION

FIG. 1 is a front and right perspective view of an in-vehicle digital audio player showing my new design;
FIG. 2 is a front view thereof;
FIG. 3 is a rear view thereof;
FIG. 4 is a top view thereof;
FIG. 5 is a right side view thereof;
FIG. 6 is a left side view thereof; and,
FIG. 7 is a bottom view thereof.
The broken lines shown are included for the purpose of illustrating the unclaimed portions of the in-vehicle digital audio player and form no part of the claim.

1 Claim, 5 Drawing Sheets



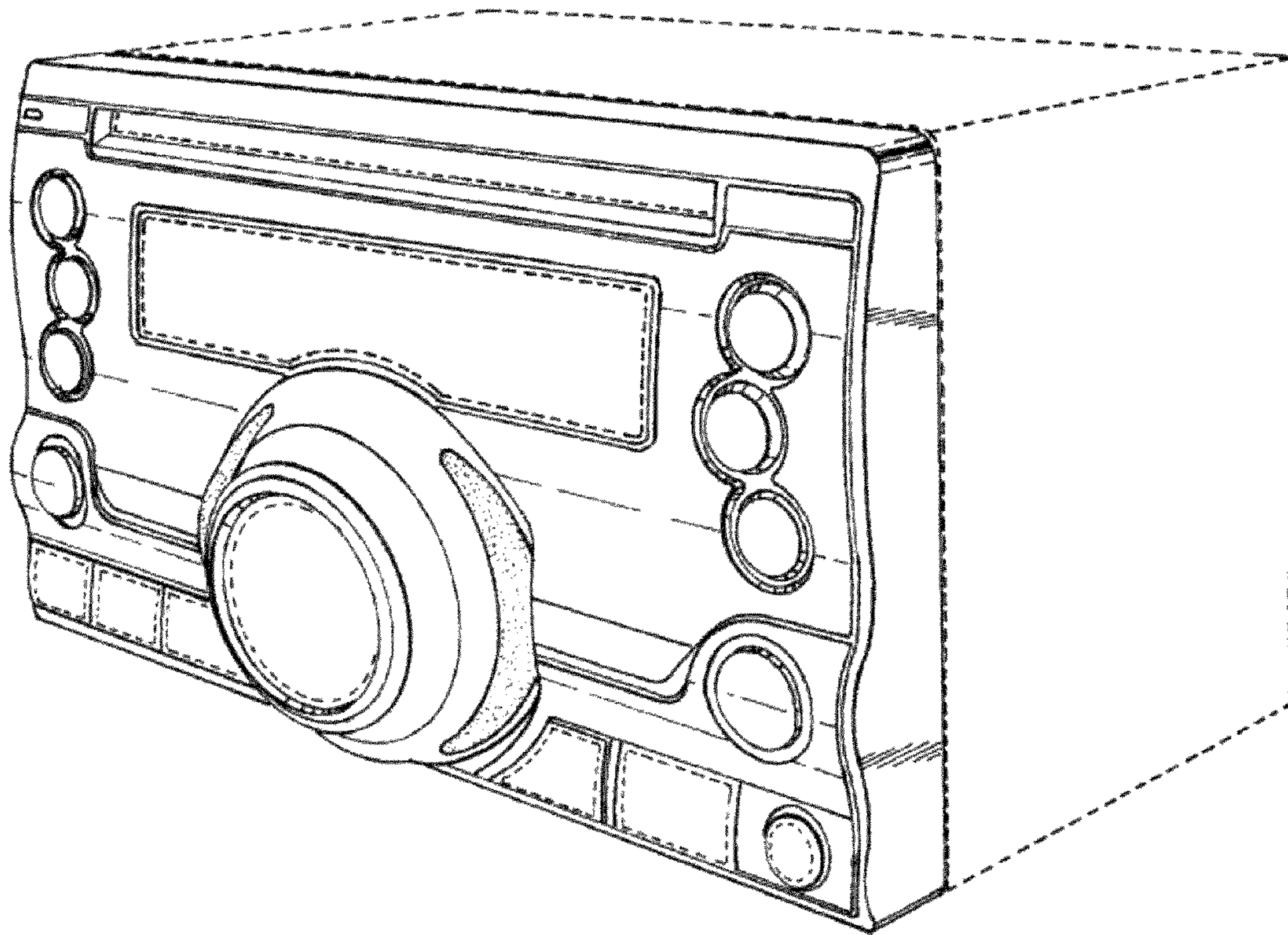


Fig. 1

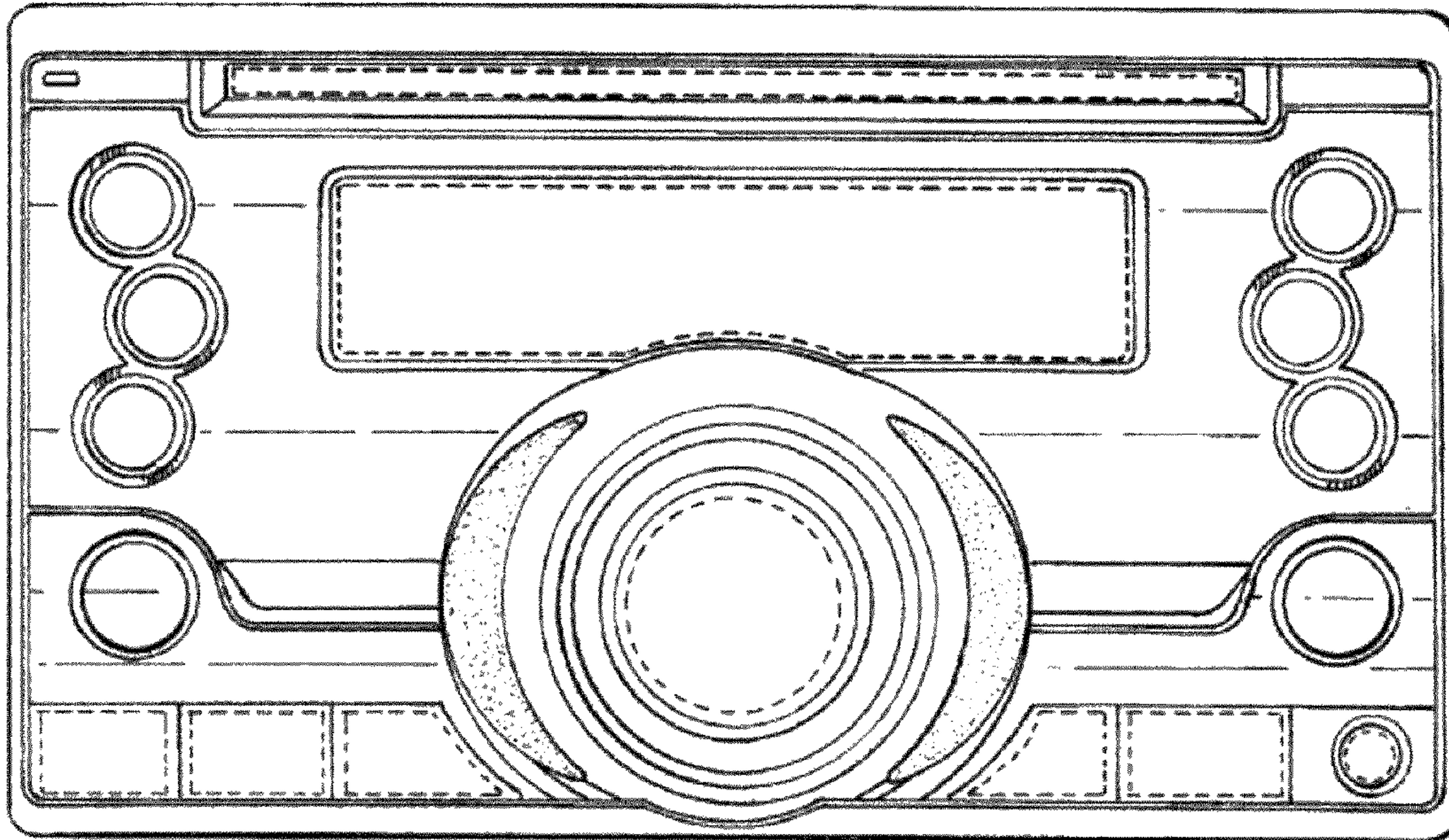


Fig. 2

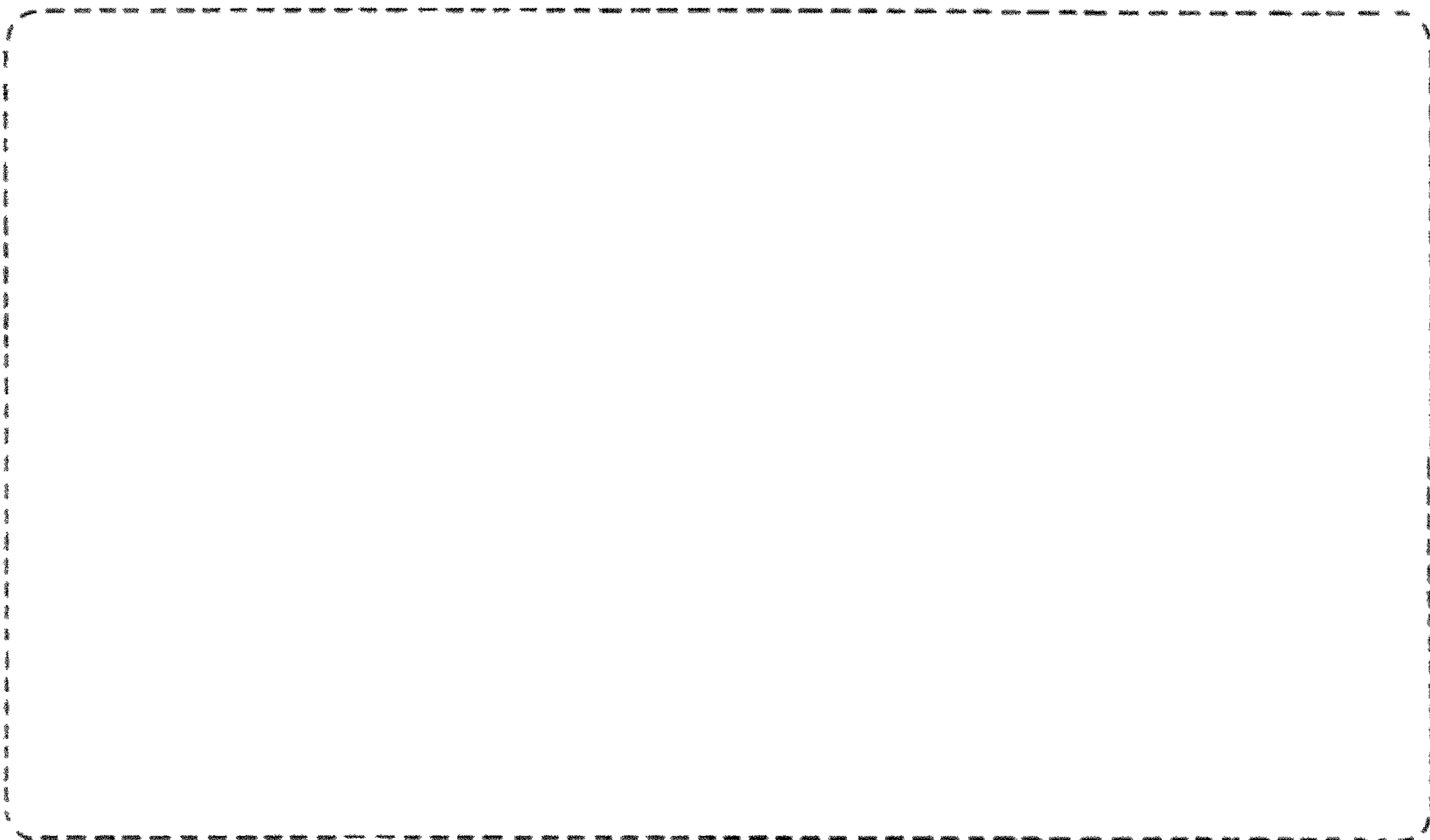


Fig. 3

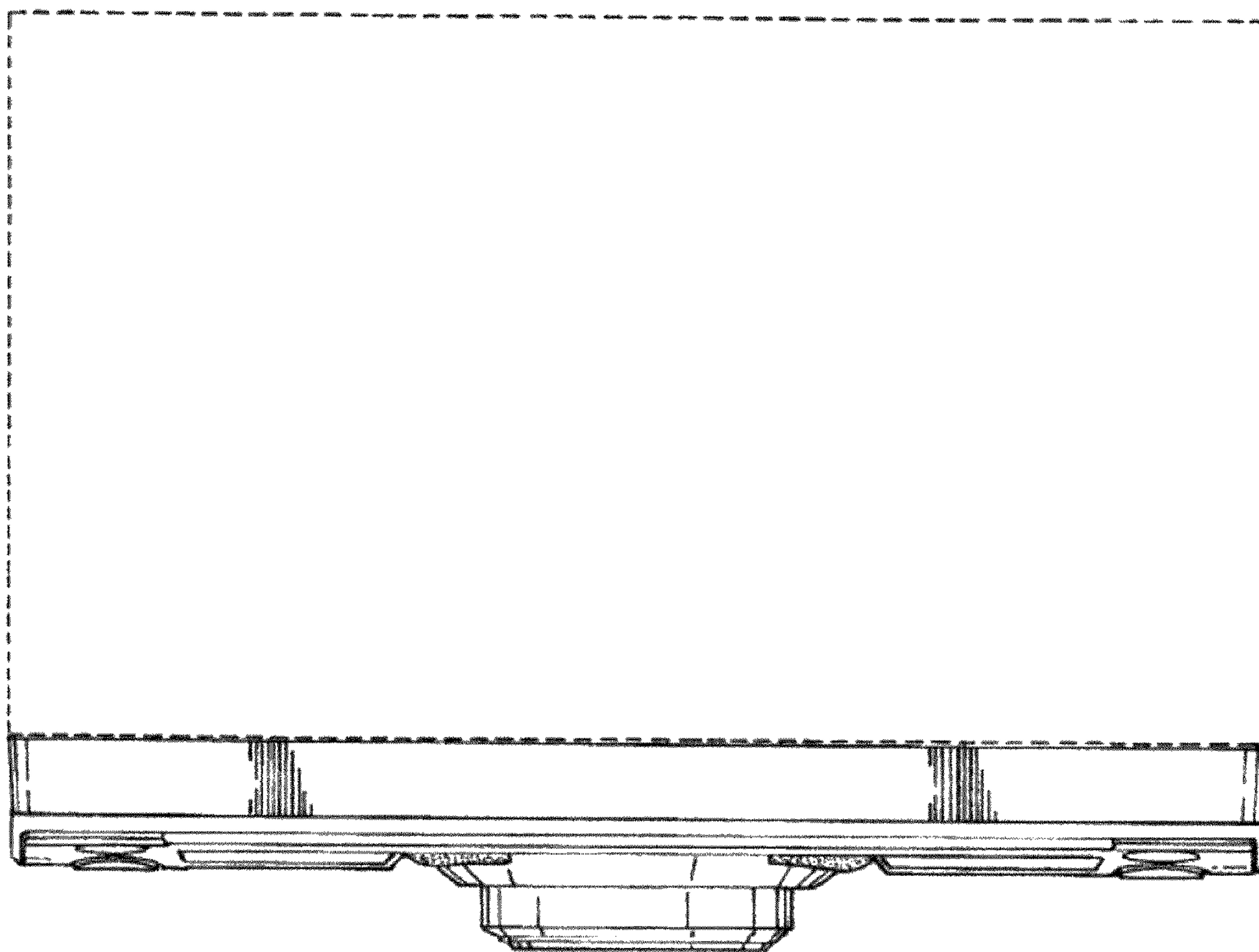


Fig. 4

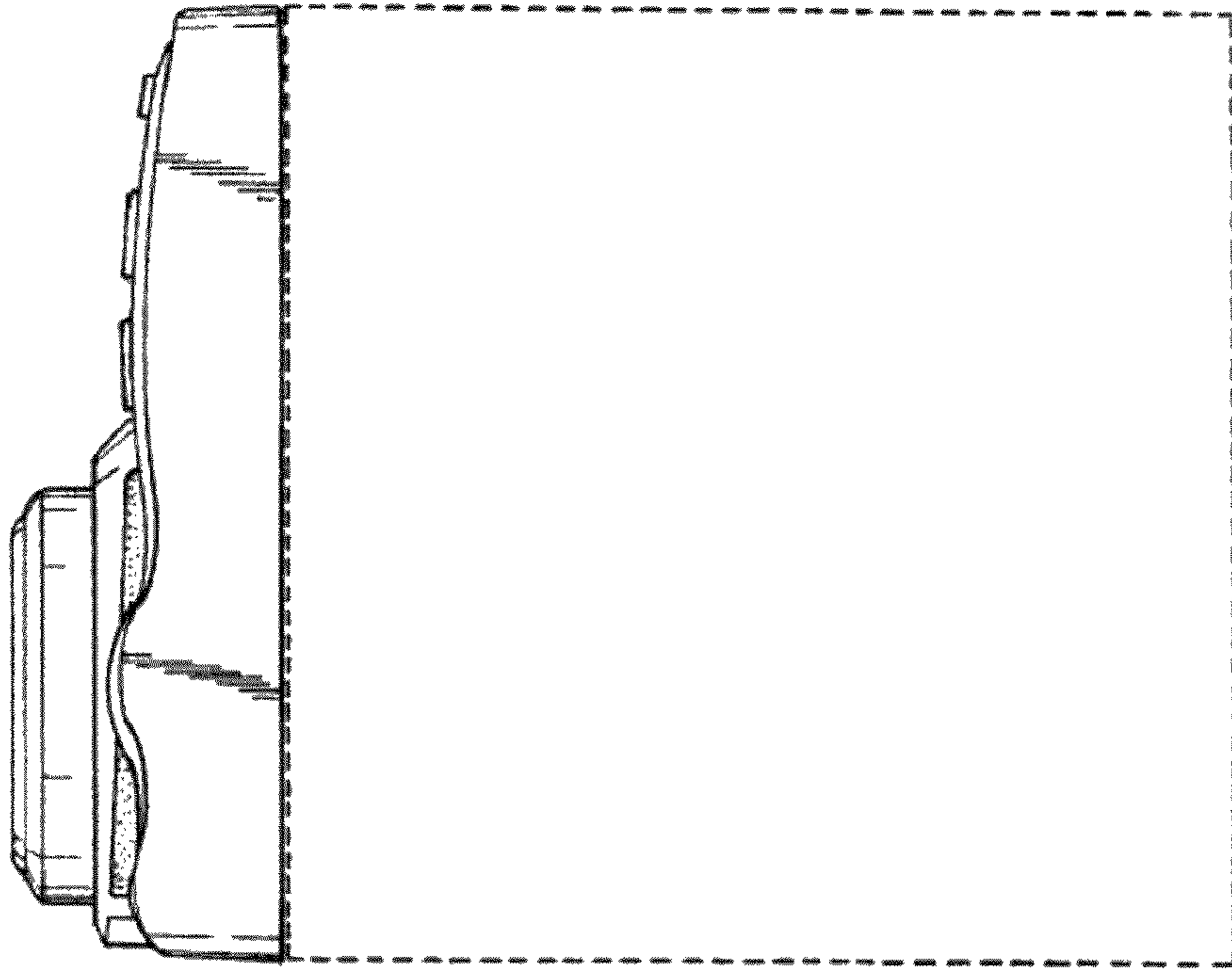


Fig. 5

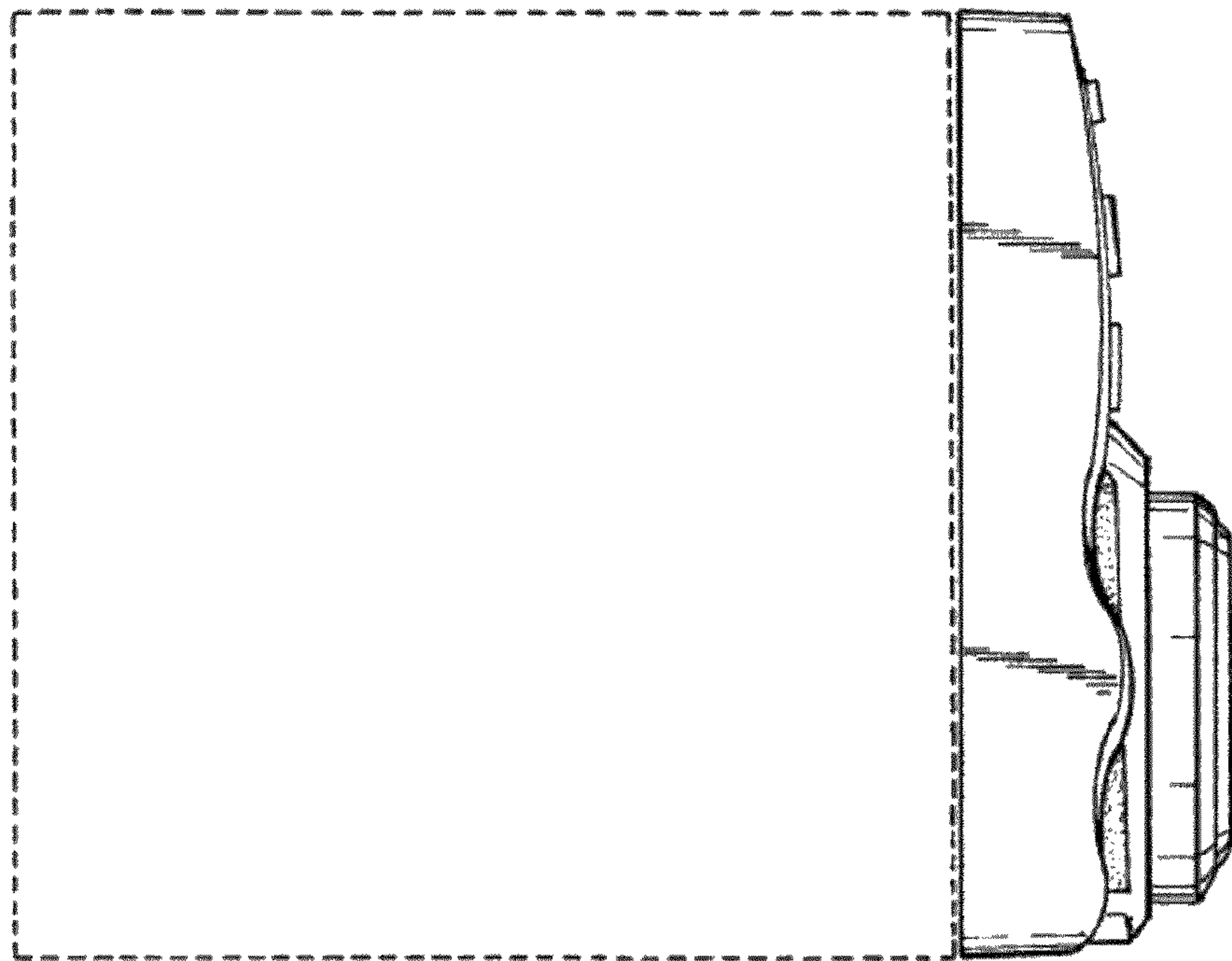


Fig. 6

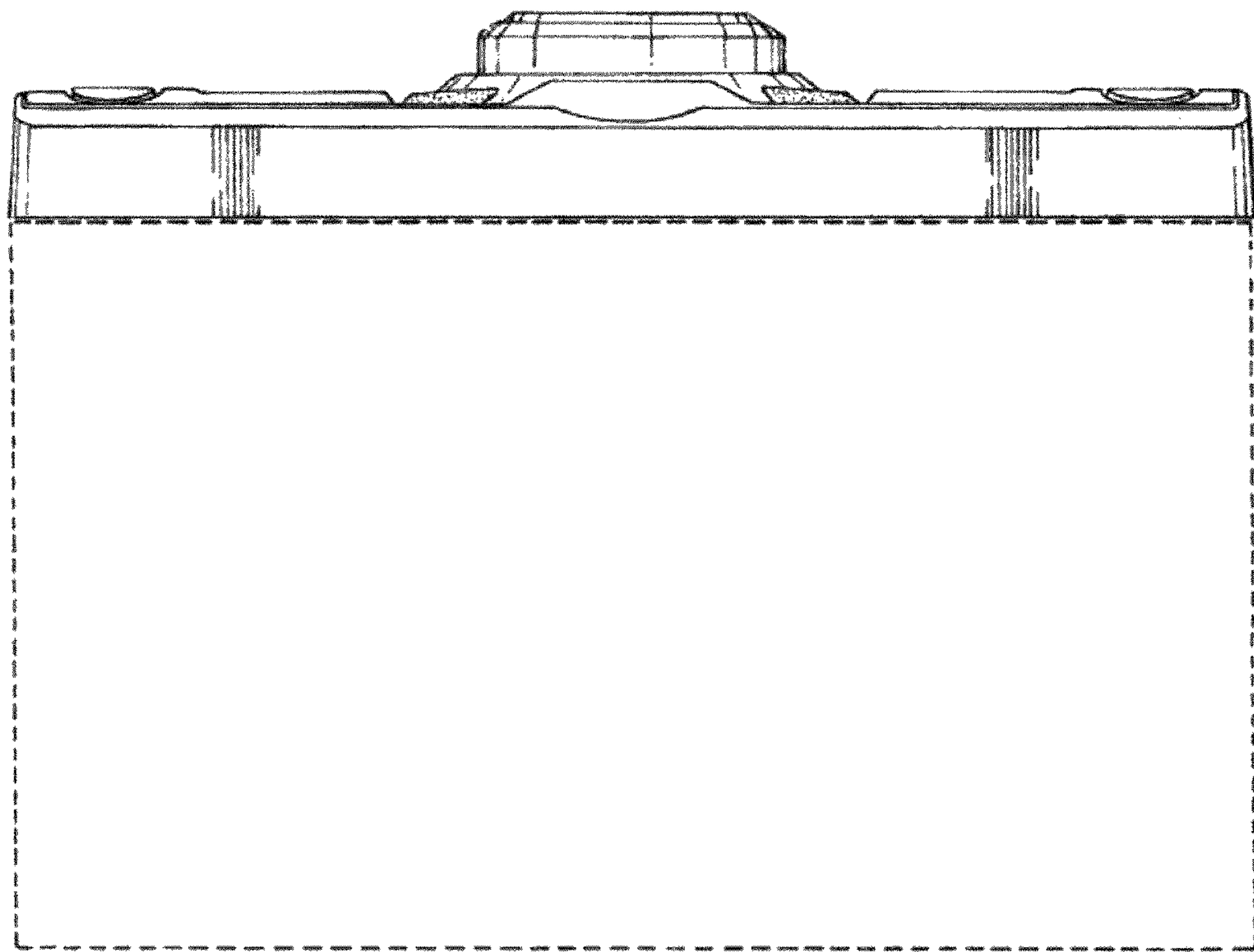


Fig. 7