

US00D672737S

(12) **United States Design Patent**
Hermansen

(10) **Patent No.:** **US D672,737 S**
(45) **Date of Patent:** **** Dec. 18, 2012**

(54) **TELEVISION**

(75) Inventor: **Anders Hermansen**, Klampenborg (DK)

(73) Assignee: **Aktieselskabet af 18. Juli 2011** (DK)

(**) Term: **14 Years**

(21) Appl. No.: **29/415,348**

(22) Filed: **Mar. 9, 2012**

(30) **Foreign Application Priority Data**

Sep. 9, 2011 (EP) 001915224-0004

(51) **LOC (9) Cl.** **14-03**

(52) **U.S. Cl.** **D14/126**

(58) **Field of Classification Search** D14/125-134,
D14/239, 371, 136, 374-377, 440, 450, 448,
D14/336, 342; 312/7.2; 348/836, 838, 180,
348/184, 325, 739; 341/12; 248/917-924,
248/465; 345/104, 133, 156, 168, 87, 173;
720/605, 669, 600, 655; 369/99, 197; 455/344-347;
D21/329, 515, 577, 622, 333, 433, 448, 452,
D21/450, 331; D6/477, 479, 300; 273/148 B;
446/484, 175, 356; D10/15, 26
See application file for complete search history.

(56) **References Cited**

U.S. PATENT DOCUMENTS

D437,837 S * 2/2001 Harrison et al. D14/132
D496,013 S * 9/2004 Tanaka D14/132

D517,029 S * 3/2006 Kawasaki D14/129
D526,285 S * 8/2006 Voege D14/126
D556,161 S * 11/2007 Hsiung D14/129
D564,995 S * 3/2008 Gray D14/132
D572,214 S * 7/2008 Lewis D14/126
D579,426 S * 10/2008 Kim et al. D14/126
D586,307 S * 2/2009 Chu D14/134
D586,769 S * 2/2009 Kita D14/126
D597,981 S * 8/2009 Kuether et al. D14/132
D600,661 S * 9/2009 Ohki et al. D14/126
D609,658 S * 2/2010 Kim et al. D14/126
D617,290 S * 6/2010 Lewis D14/126
D619,553 S * 7/2010 Katsumata D14/126
2006/0050473 A1 * 3/2006 Zheng 361/681

* cited by examiner

Primary Examiner — Raphael Barkai

(74) *Attorney, Agent, or Firm* — Dykema Gossett PLLC

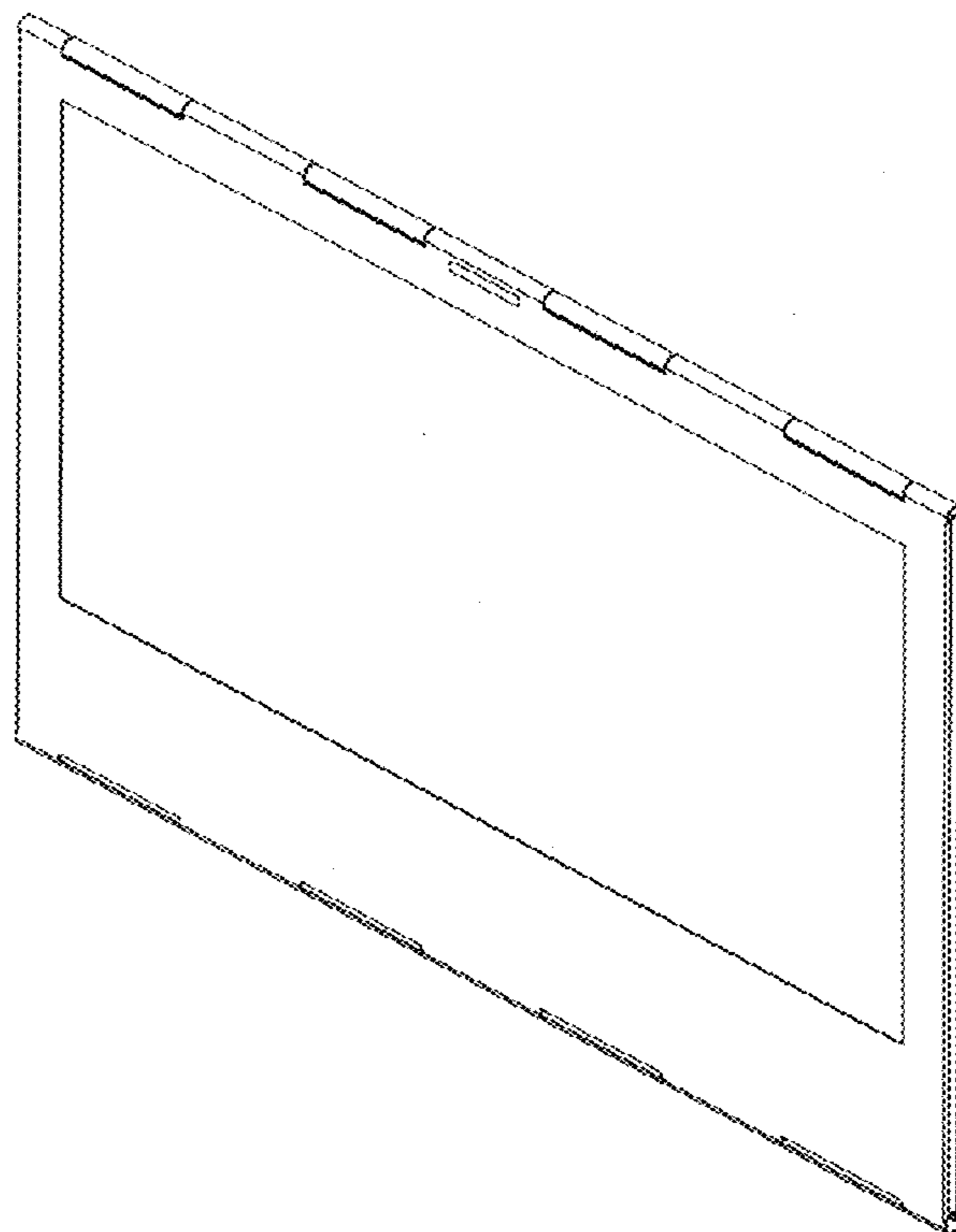
(57) **CLAIM**

The ornamental design for a television, as shown and described.

DESCRIPTION

FIG. 1 is a first perspective view of a television showing my new design;
FIG. 2 is a front elevational view thereof;
FIG. 3 is a rear elevational view thereof;
FIG. 4 is a left side elevational view thereof wherein the right side is a mirror image thereof;
FIG. 5 is a top plan view thereof;
FIG. 6 is a bottom plan view thereof; and,
FIG. 7 is a second perspective view thereof.

1 Claim, 7 Drawing Sheets



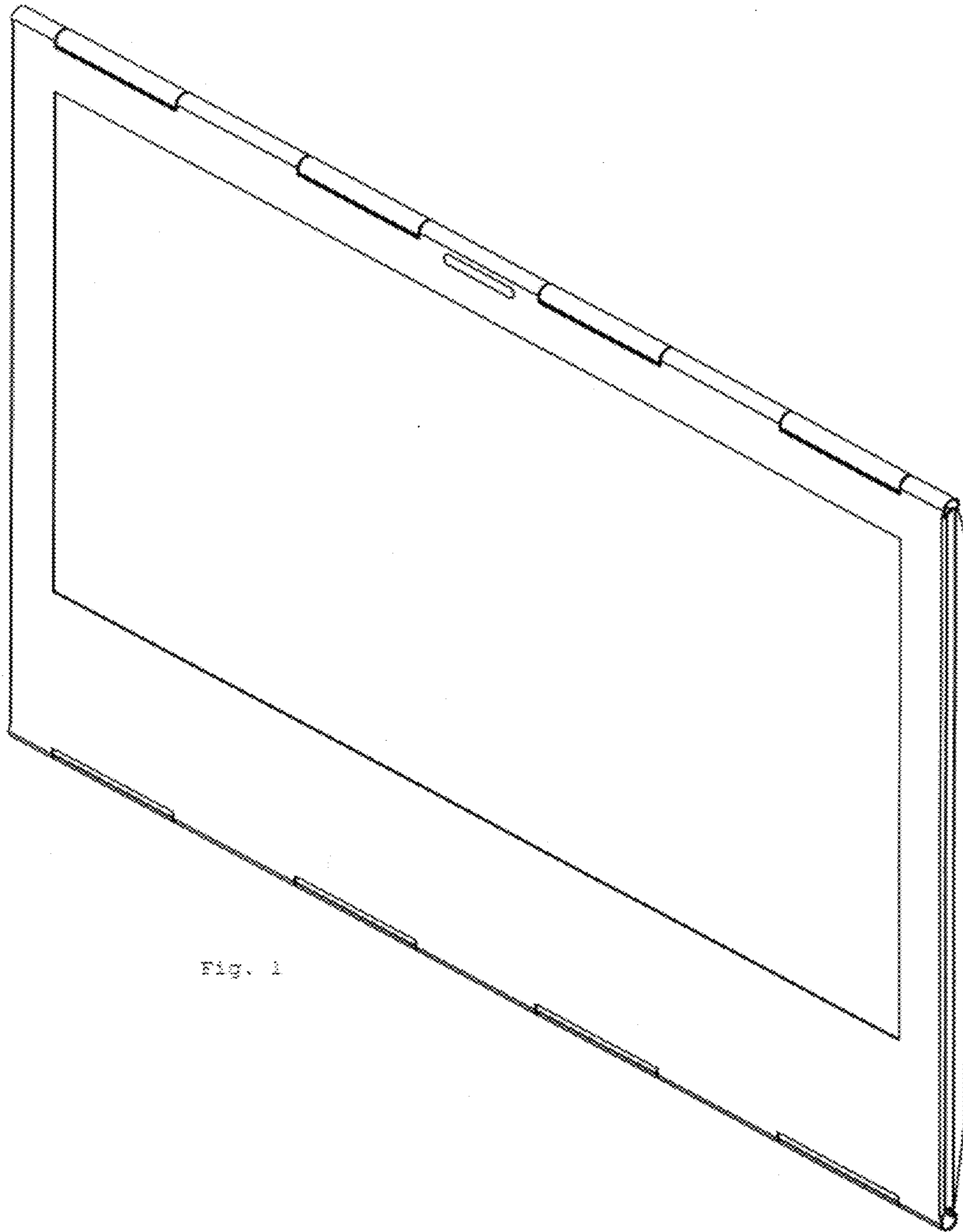


FIG. 1

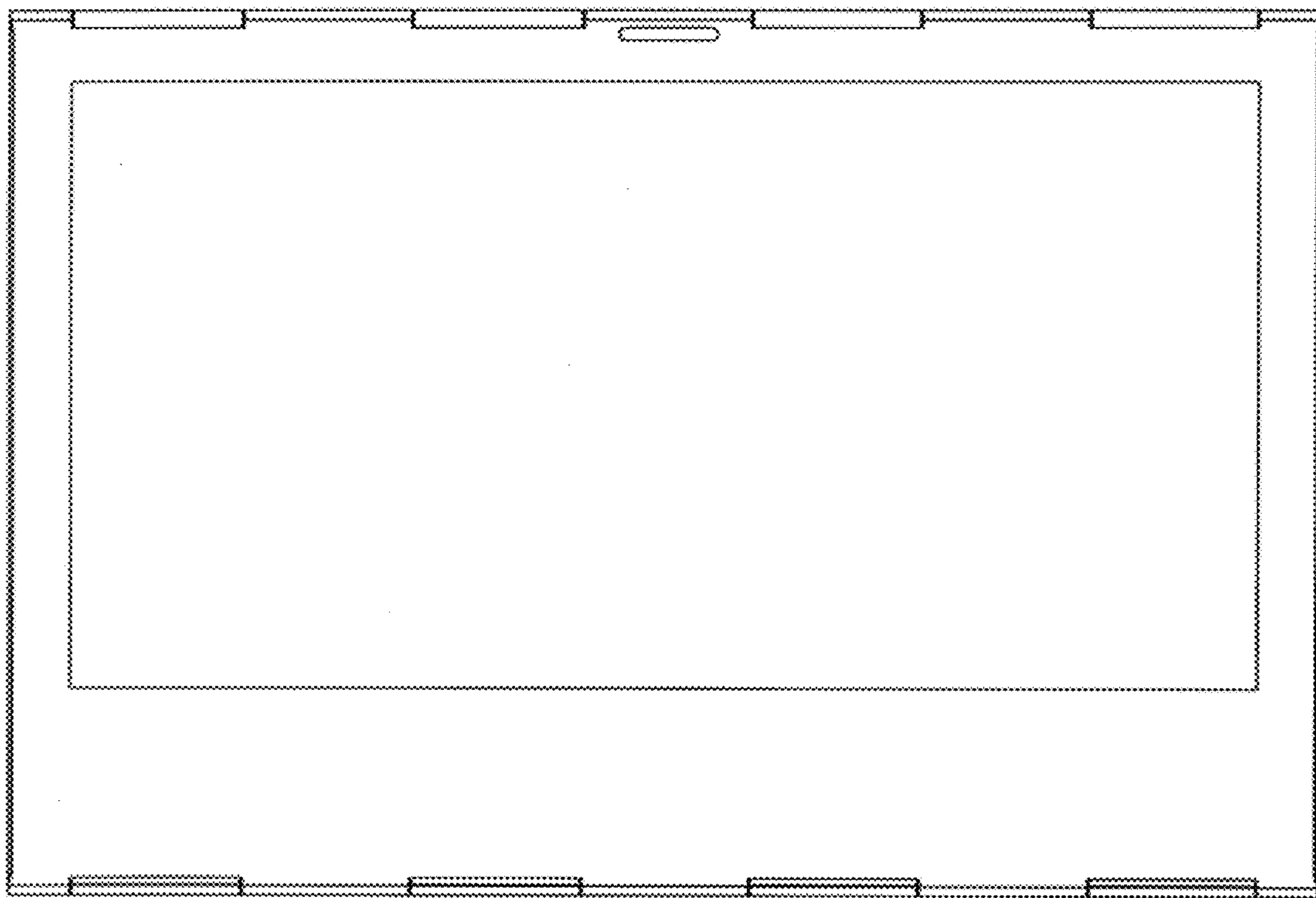


Fig. 2

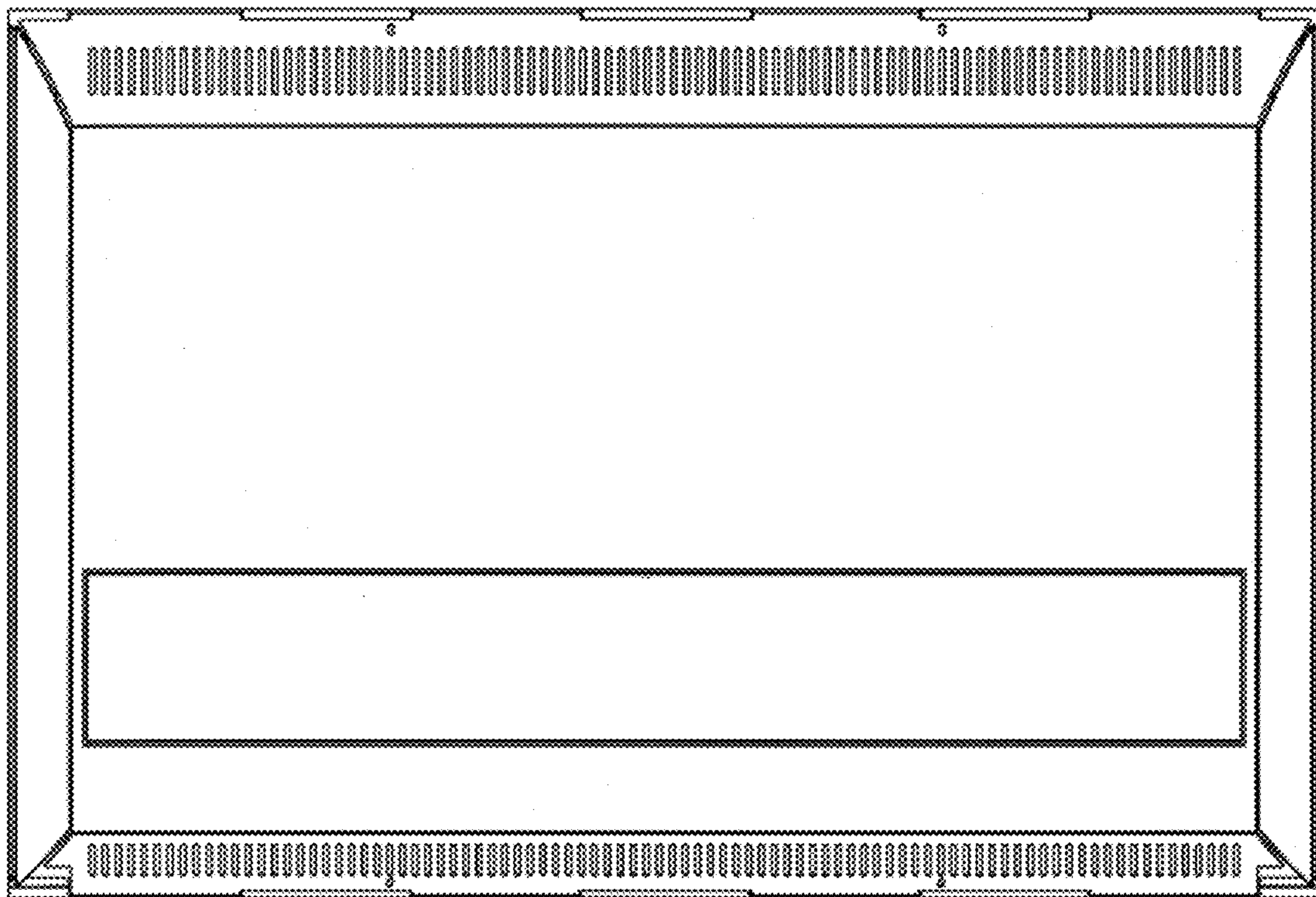


Fig. 3

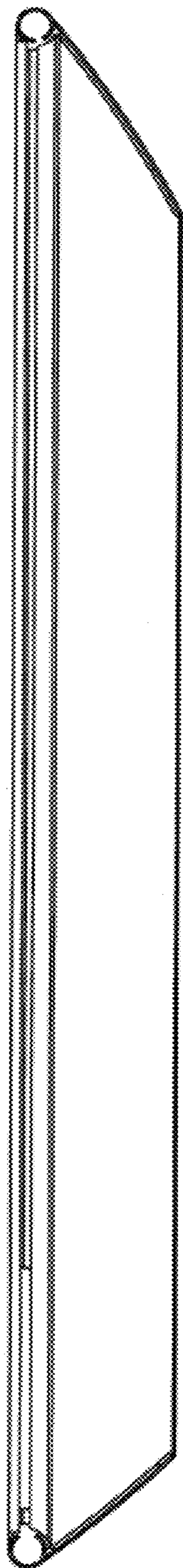


Fig. 4

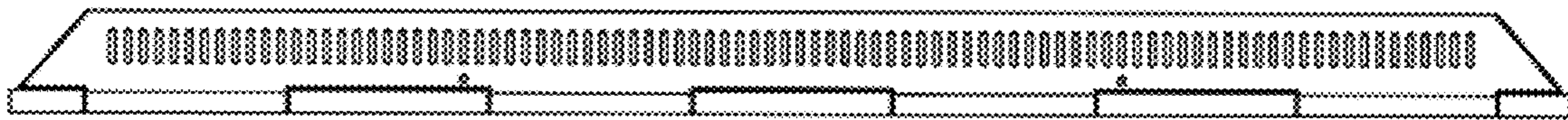


Fig. 5



Fig. 6

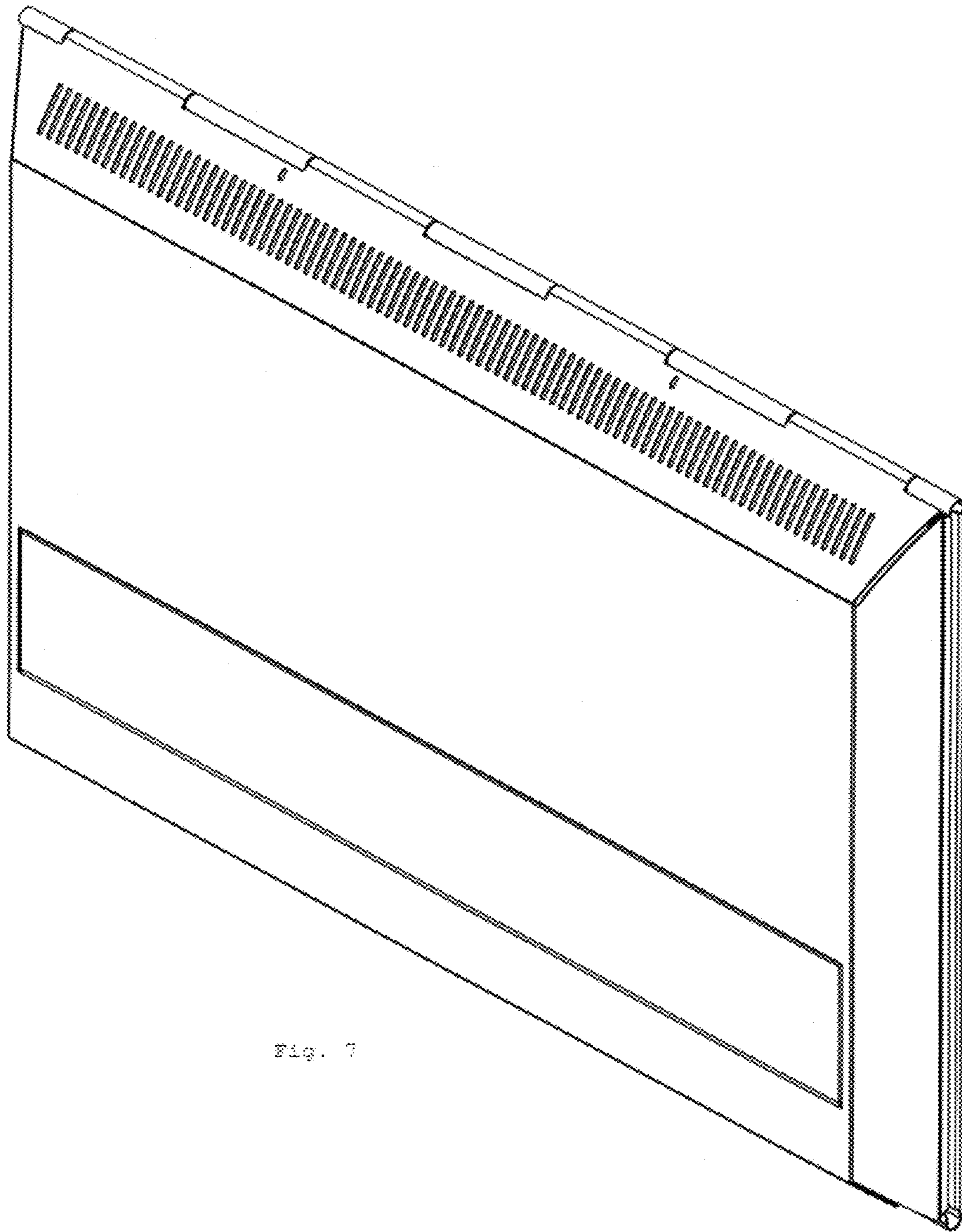


FIG. 7