



US00D672736S

(12) **United States Design Patent**
Mueller et al.

(10) **Patent No.:** **US D672,736 S**
(45) **Date of Patent:** **** Dec. 18, 2012**

(54) **FLATSCREEN MONITOR**

(75) Inventors: **Alexander Mueller**, Fuerth (DE);
Sebastian Maier, Fuerth (DE)

(73) Assignee: **Sartorius Weighing Technology GmbH**
(DE)

(**) Term: **14 Years**

(21) Appl. No.: **29/398,747**

(22) Filed: **Aug. 4, 2011**

(30) **Foreign Application Priority Data**

Feb. 7, 2011 (EM) 001817503-0001
Feb. 7, 2011 (EM) 001817503-00013
Feb. 7, 2011 (EM) 001817503-00014

(51) **LOC (9) Cl.** **14-03**

(52) **U.S. Cl.** **D14/126**

(58) **Field of Classification Search** D14/125-134,
D14/239, 371, 136, 374-377, 440, 450, 448,
D14/336, 342; 312/7.2; 348/836, 838, 180,
348/184, 325, 739; 341/12; 248/917-924,
248/465; 345/104, 133, 156, 168, 87, 173;
720/605, 669, 600, 655; 369/99, 197; D21/329,
D21/515, 577, 622, 333, 433, 448, 452, 450,
D21/331; D6/477, 479, 300; 273/148 B;
446/484, 175, 356; D10/15, 26

See application file for complete search history.

(56) **References Cited**

U.S. PATENT DOCUMENTS

D475,984 S * 6/2003 Chen et al. D14/126
D524,767 S * 7/2006 Imboden et al. D14/126
D582,366 S * 12/2008 Yang et al. D14/126
D616,402 S * 5/2010 Chien D14/126
D622,235 S * 8/2010 Lee et al. D14/126
D633,062 S * 2/2011 Chino et al. D14/126
D634,721 S * 3/2011 Baek et al. D14/126
D640,653 S * 6/2011 Takami D14/126

* cited by examiner

Primary Examiner — Raphael Barkai

(74) *Attorney, Agent, or Firm* — Gerald E. Hespos; Michael
J. Porco

(57) **CLAIM**

The ornamental design for a flatscreen monitor, as shown and
described.

DESCRIPTION

FIG. 1 is a front perspective view of a flatscreen monitor
showing the new design;
FIG. 2 is a rear perspective view thereof;
FIG. 3 is a front elevational view thereof;
FIG. 4 is a rear elevational view thereof;
FIG. 5 is a top plan view thereof;
FIG. 6 is a bottom plan view thereof;
FIG. 7 is a right side elevational view thereof; and,
FIG. 8 is a left side elevational view thereof.
The portion shown in dashed lines forms no part of the
claimed design.

1 Claim, 8 Drawing Sheets

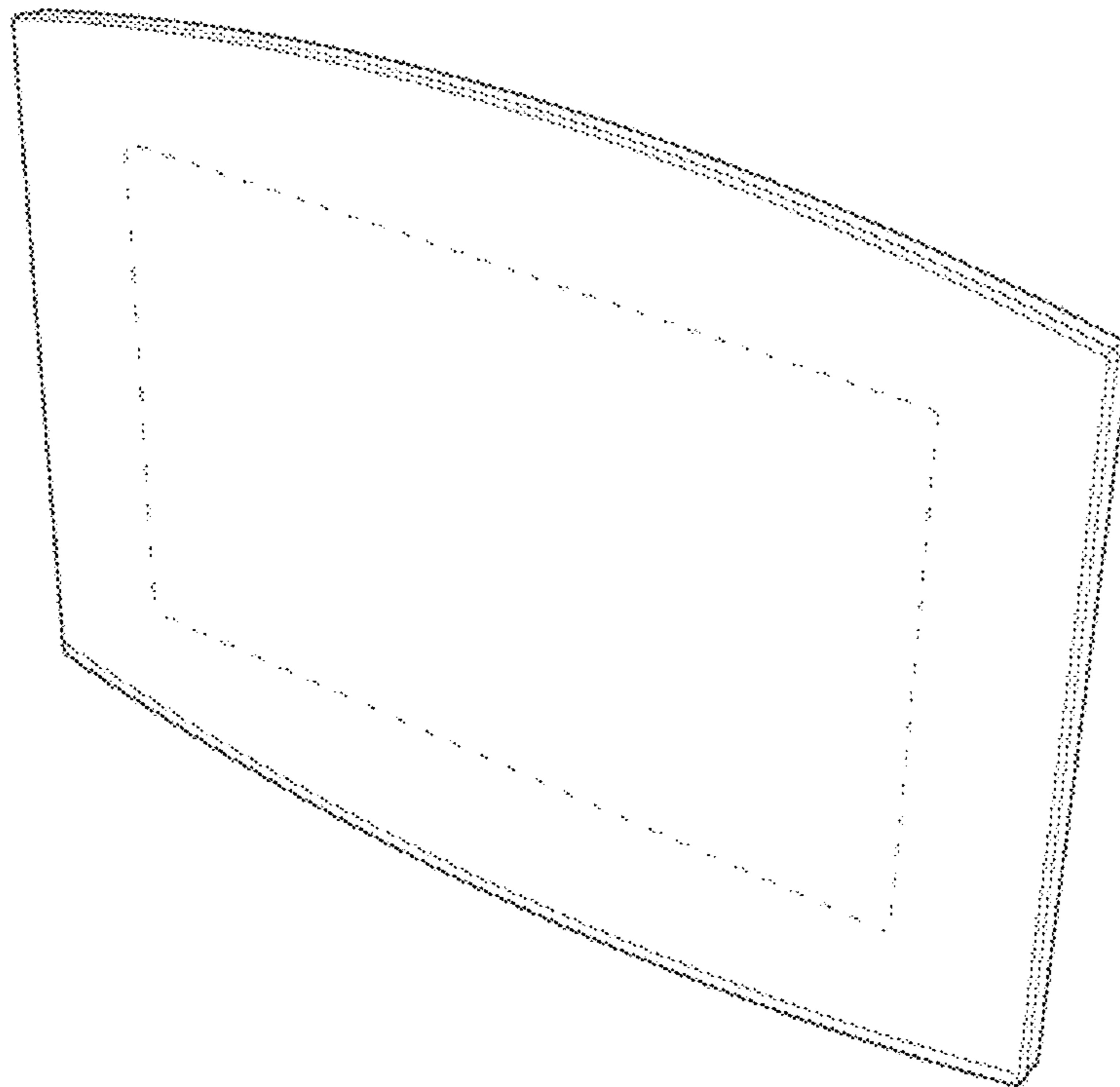


FIG. 1

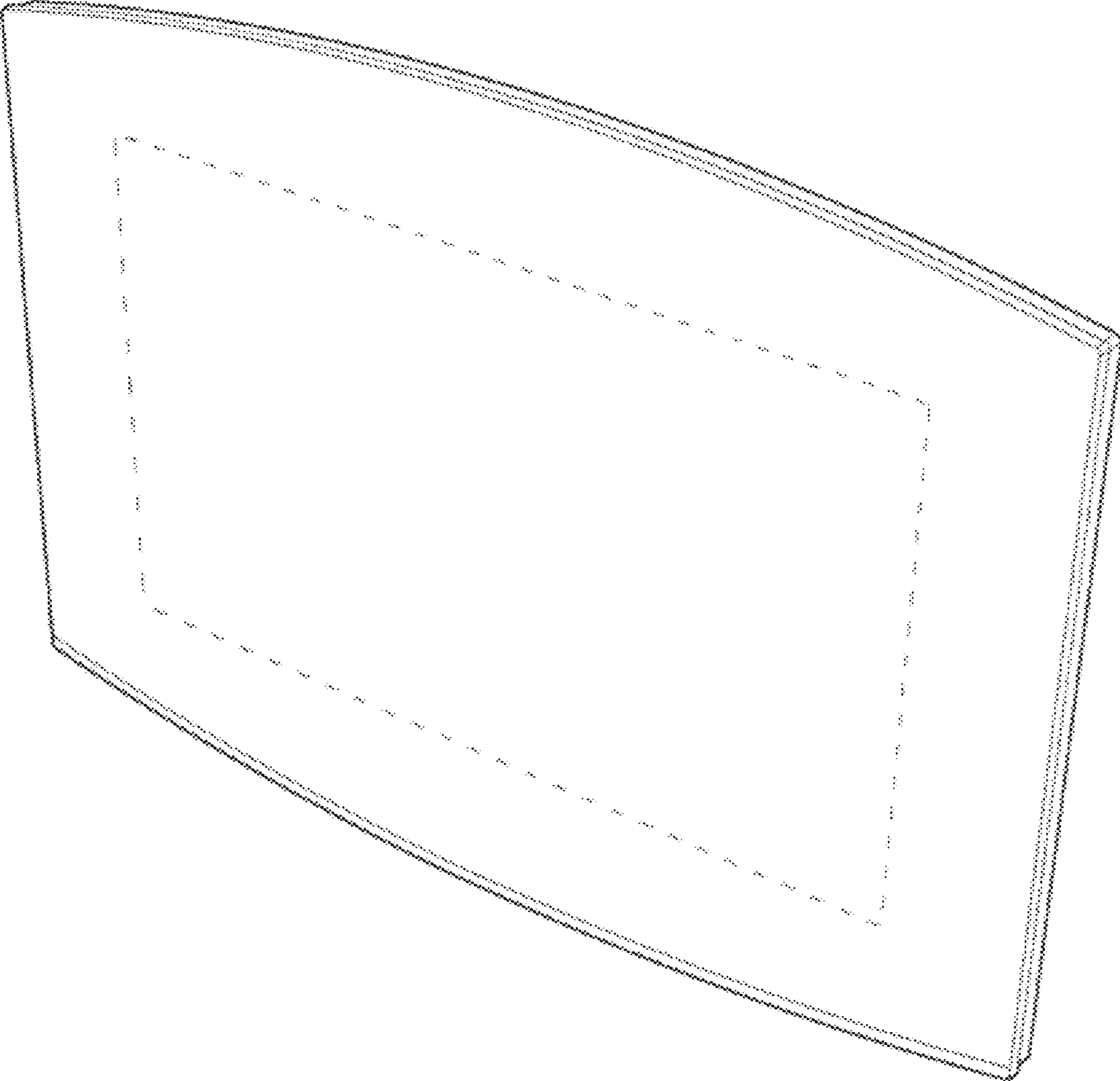


FIG. 2

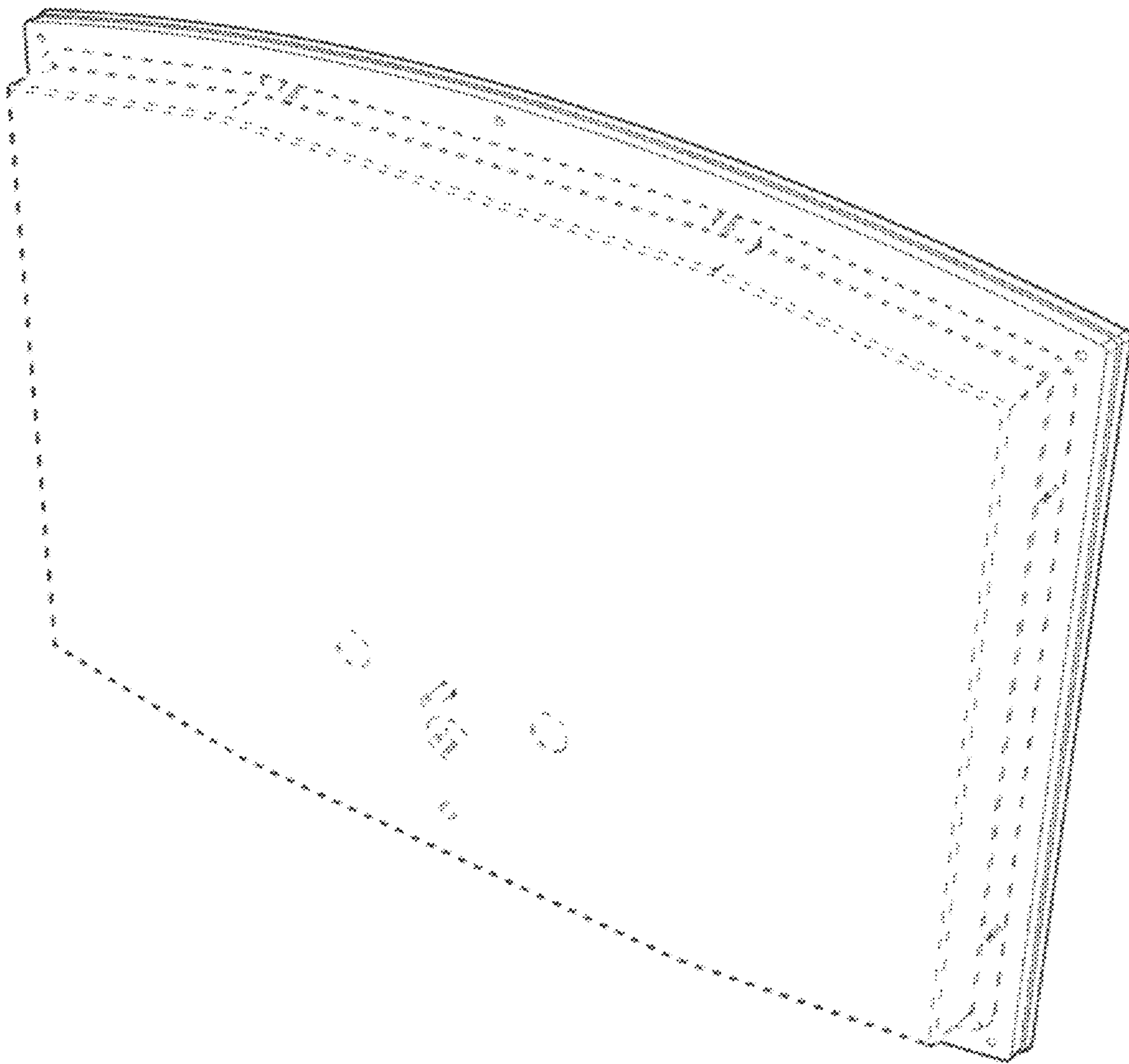


FIG. 3

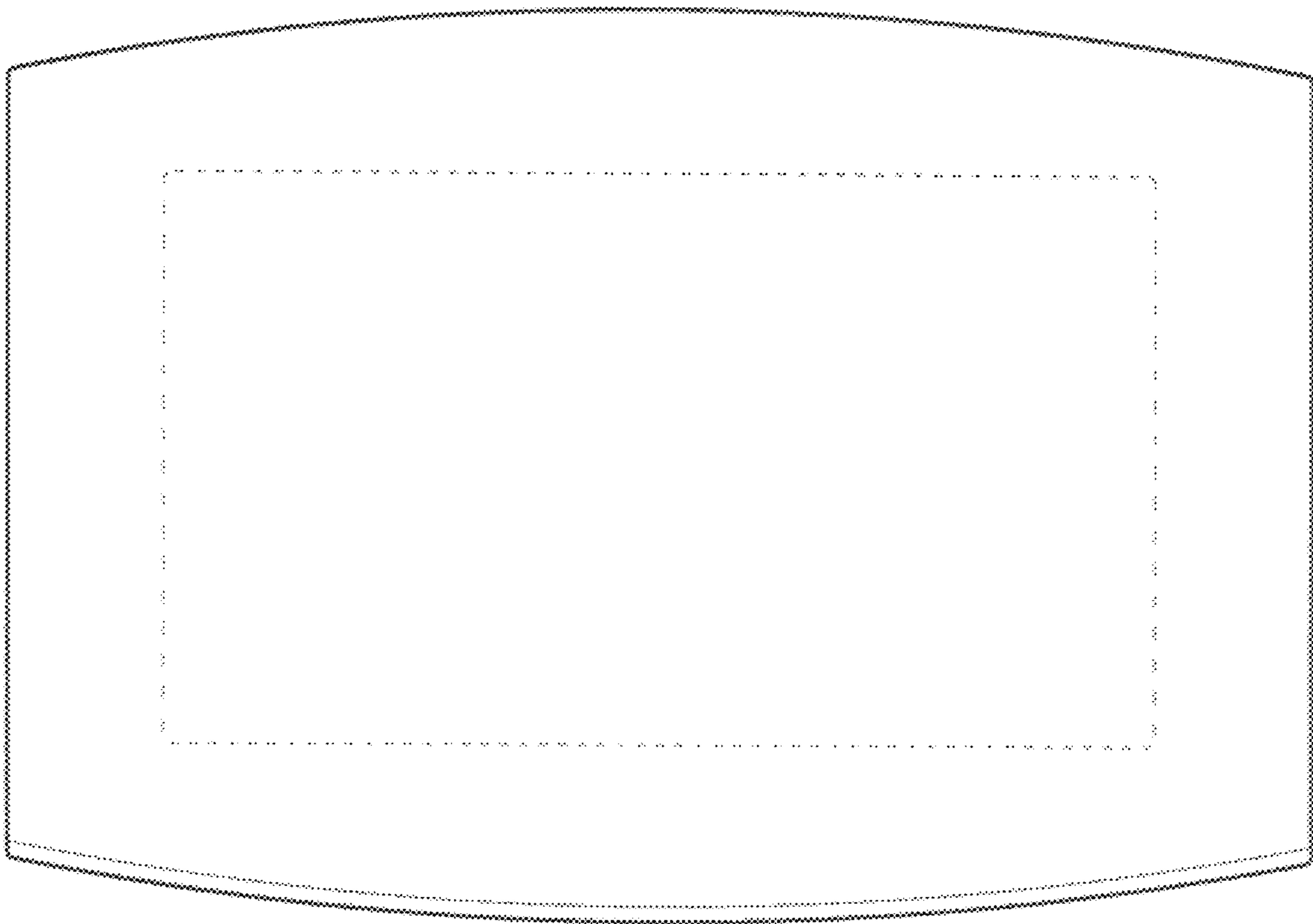


FIG. 4

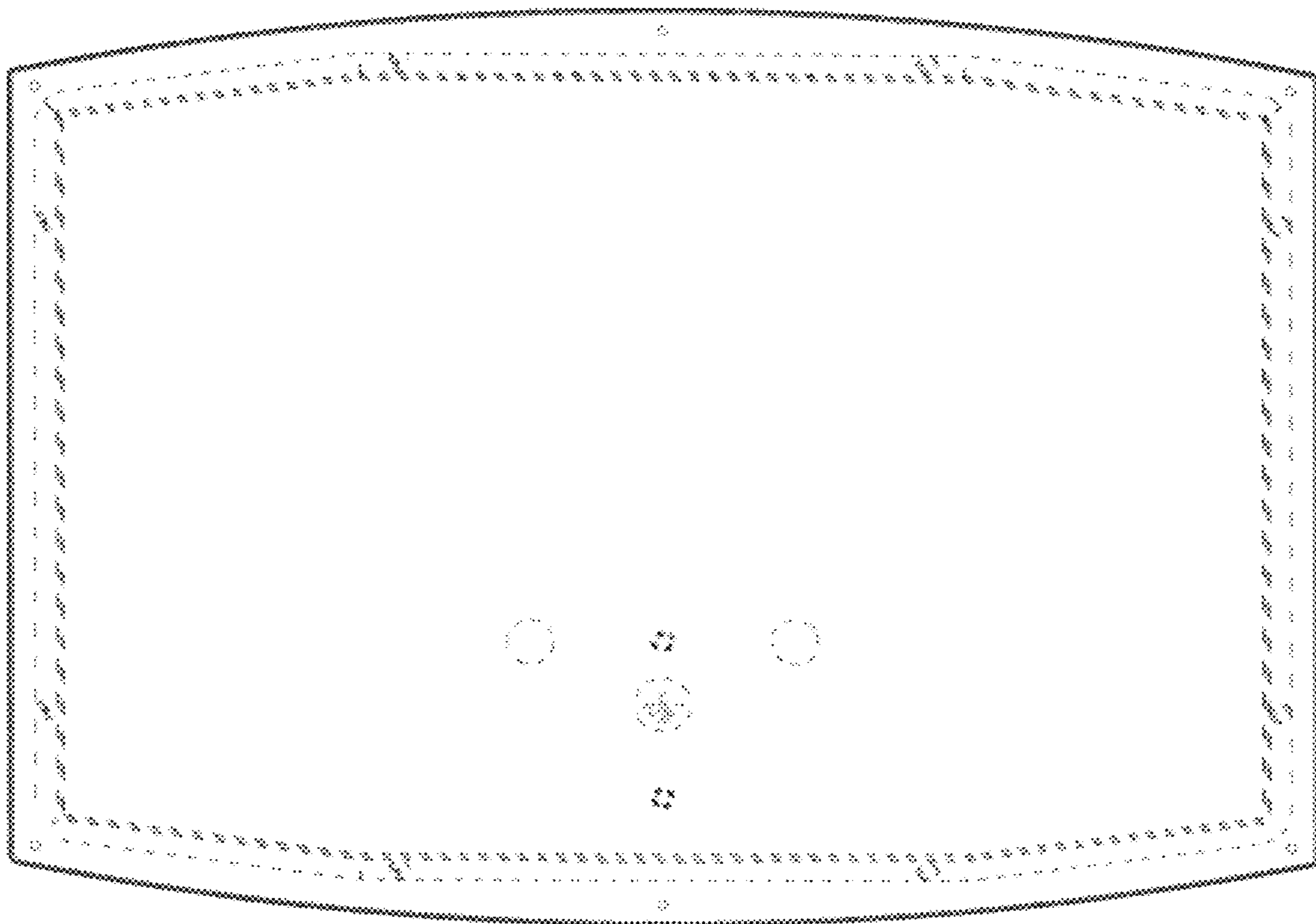


FIG. 5

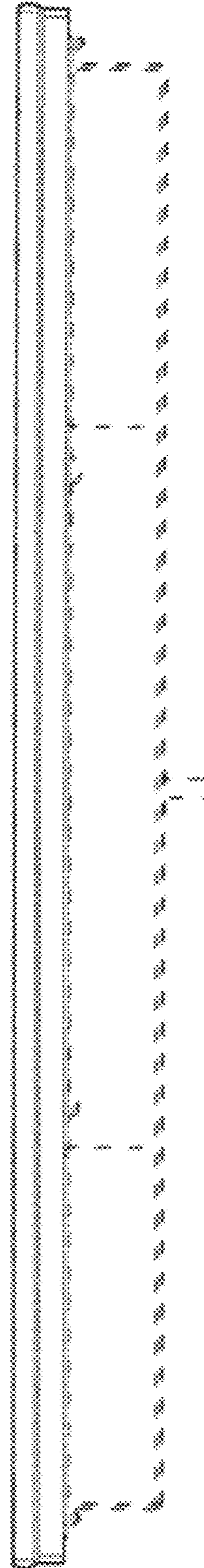


FIG. 6



FIG. 7

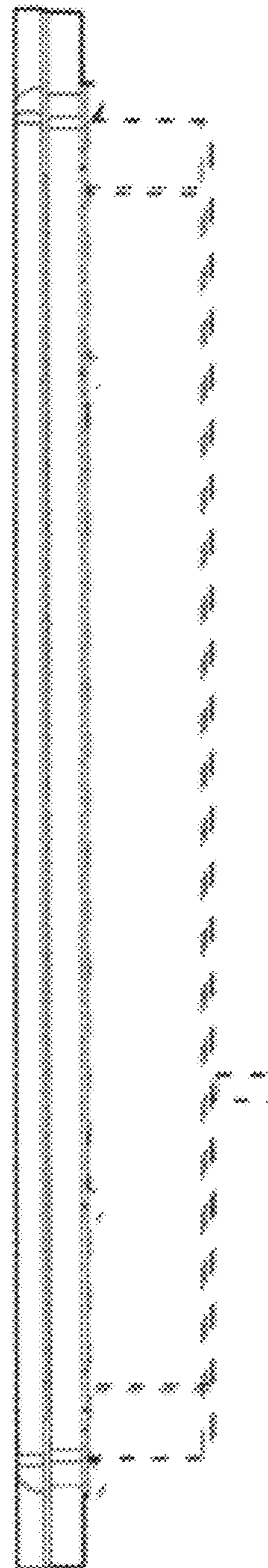


FIG. 8

