



US00D672735S

(12) **United States Design Patent**  
**Barley et al.**

(10) **Patent No.:** **US D672,735 S**  
(45) **Date of Patent:** **\*\* Dec. 18, 2012**

(54) **WIRELESS VIDEO MONITOR RECEIVER**

(75) Inventors: **Christopher B. Barley**, Grand Prairie, TX (US); **James Brandon Roach**, Grand Prairie, TX (US)

(73) Assignee: **WGI Innovations, Ltd.**, Grand Prairie, TX (US)

(\*\*) Term: **14 Years**

(21) Appl. No.: **29/382,716**

(22) Filed: **Jan. 6, 2011**

(51) **LOC (9) Cl.** ..... **14-03**

(52) **U.S. Cl.** ..... **D14/126**

(58) **Field of Classification Search** ..... D14/125-134, D14/239, 371, 136, 374-377, 440, 450, 448, D14/336, 342; 312/7.2; 348/836, 838, 180, 348/184, 325, 739; 341/12; 248/917-924, 248/465; 345/104, 133, 156, 168, 87, 173; 720/605, 669, 600, 655; 369/99, 197; D21/329, D21/515, 577, 622, 333, 433, 448, 452, 450, D21/331; D6/477, 479, 300; 273/148 B; 446/484, 175, 356; D10/15, 26

See application file for complete search history.

Slim & Secure Handheld Color Video Monitor—Silver, Summer Infant, downloaded from website www.summerinfant.com, Dec. 2, 2010, 1 page.

BabyTouch Digital Video Monitor, Summer Infant, downloaded from website www.summerinfant.com, Dec. 2, 2010, 1 page.

Day & Night Baby Video Monitor, Summer Infant, downloaded from website www.summerinfant.com, Dec. 2, 2010, 1 page.

Day & Night Video Monitor Set, Summer Infant, downloaded from website www.summerinfant.com, Dec. 2, 2010, 1 page.

Day & Night Flat Screen Color Video Monitor Set, Summer Infant, downloaded from website www.summerinfant.com, Dec. 2, 2010, 1 page.

(Continued)

*Primary Examiner* — Raphael Barkai

(74) *Attorney, Agent, or Firm* — Geoffrey A. Mantooth

(57) **CLAIM**

The ornamental design for a wireless video monitor receiver, as shown and described.

(56) **References Cited**

U.S. PATENT DOCUMENTS

D376,822 S *	12/1996	Osterhout	.....	D21/329
D405,781 S *	2/1999	Renk	.....	D14/126
D413,881 S *	9/1999	Ida et al.	.....	D14/126
D438,849 S *	3/2001	Adachi et al.	.....	D14/126
D457,569 S *	5/2002	Pinchuk	.....	D21/324
D484,917 S *	1/2004	Hunt et al.	.....	D21/329
D491,152 S *	6/2004	Christianson	.....	D14/126
D541,239 S *	4/2007	Tsai	.....	D14/126
D546,791 S *	7/2007	Liang et al.	.....	D14/129
D561,129 S *	2/2008	Hsiung	.....	D14/126
D582,385 S *	12/2008	Sanguinetti	.....	D14/188
D595,250 S *	6/2009	Chiu	.....	D14/126
D618,191 S *	6/2010	Chow	.....	D14/126
D622,237 S *	8/2010	Chow	.....	D14/126

OTHER PUBLICATIONS

BestView Handheld Color Video Monitor, Summer Infant, downloaded from website www.summerinfant.com, Dec. 2, 2010, 1 page.

**DESCRIPTION**

FIG. 1 is a perspective top, left and front side view of a wireless video monitor receiver, showing our new design;

FIG. 2 is a front side view thereof;

FIG. 3 is a left side view thereof.

FIG. 4 is a right side view thereof;

FIG. 5 is a rear side view thereof,

FIG. 6 is a top side view thereof;

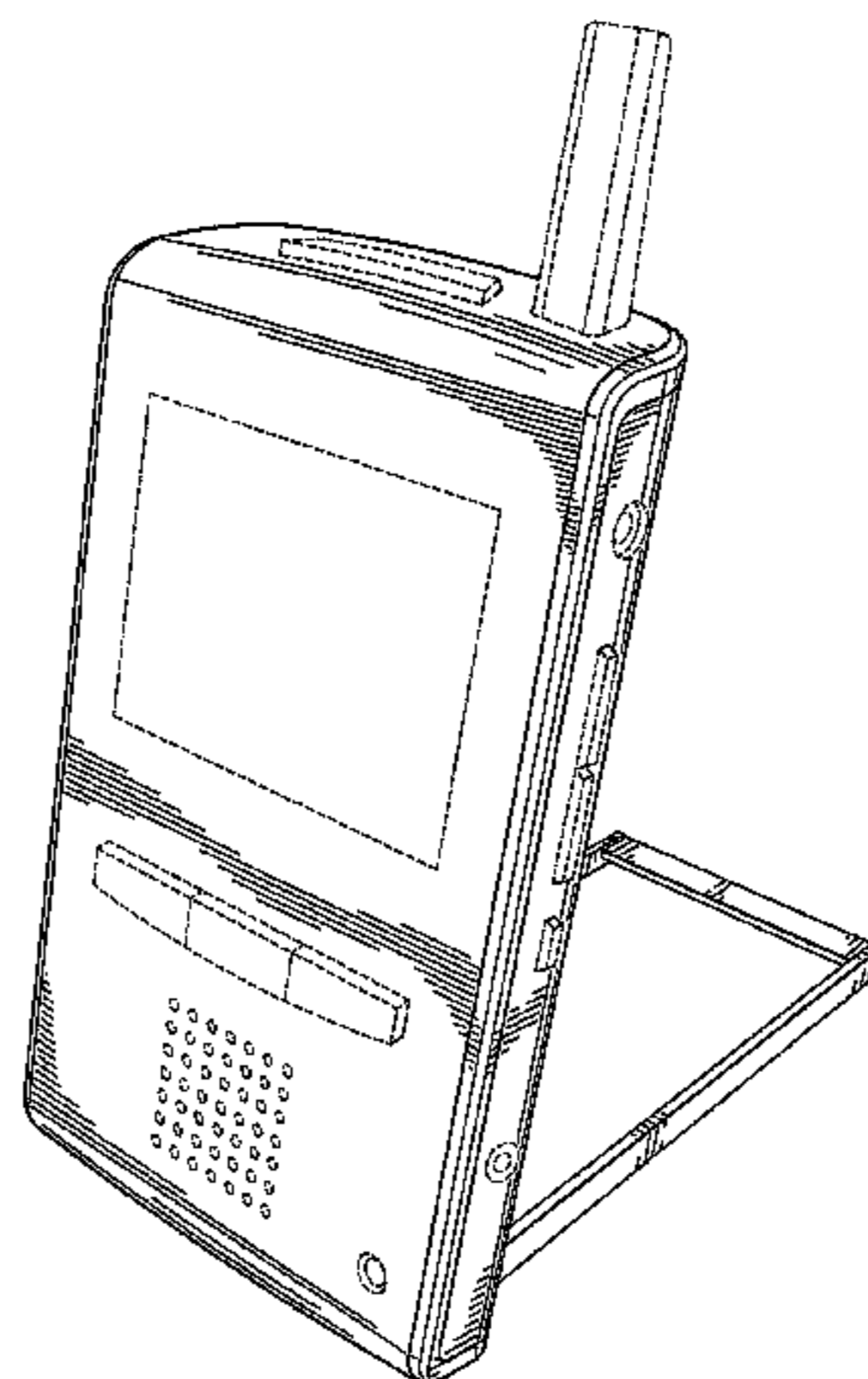
FIG. 7 is a bottom side view thereof;

FIG. 8 is a perspective top, left and front side view of the receiver showing the stand deployed; and,

FIG. 9 is a perspective top, left and front side view of the receiver showing the stand deployed.

The portions of the article in broken lines are for illustrative purposes only and form no part of the claimed design.

**1 Claim, 7 Drawing Sheets**

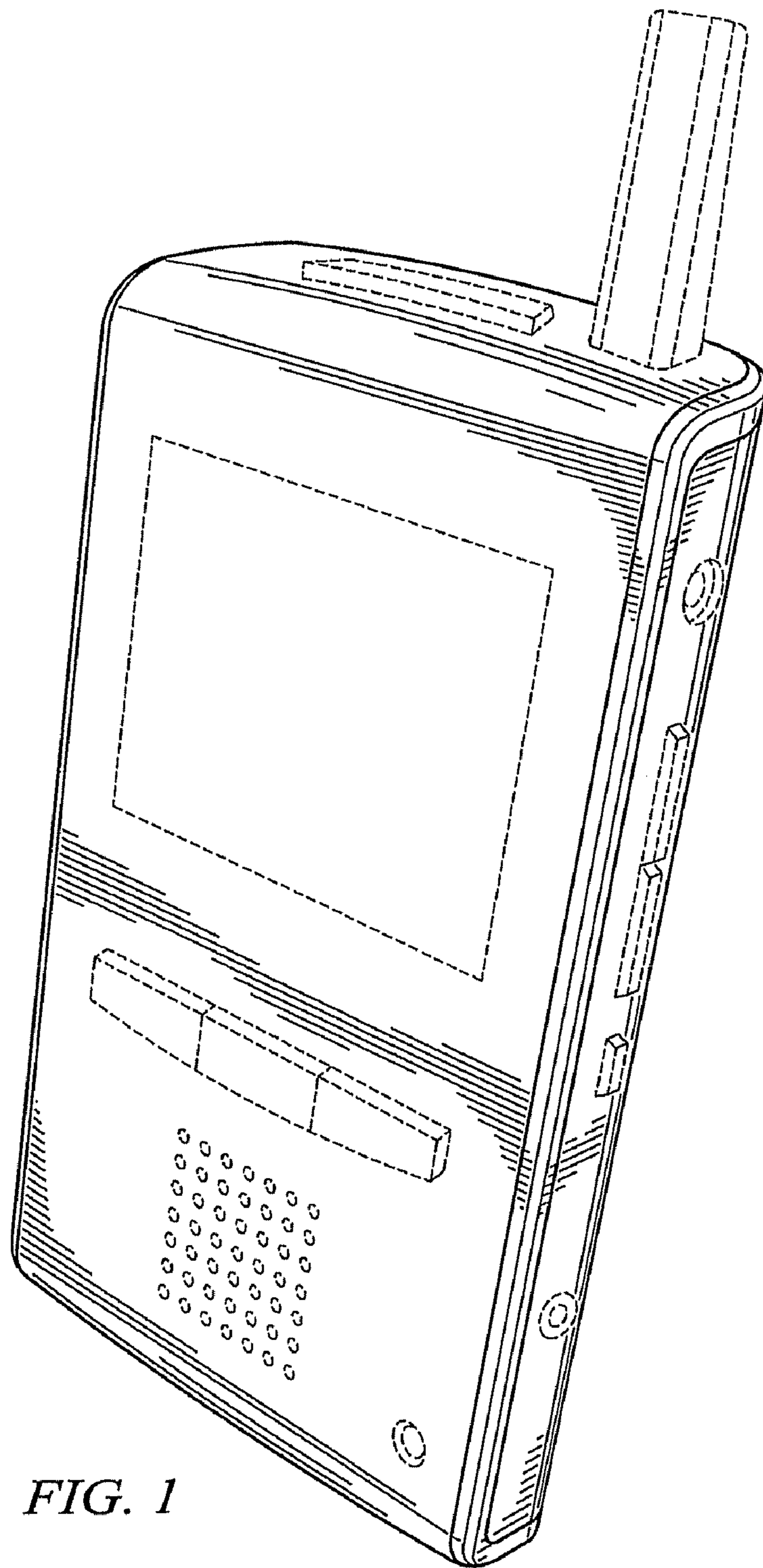


OTHER PUBLICATIONS

Complete Coverage Color Video Monitor Set, Summer Infant, downloaded from website [www.summerinfant.com](http://www.summerinfant.com), Dec. 2, 2010, 1 page.

ClearVu Digital Video Baby Monitor, Levana, downloaded at [www.mylevana.com](http://www.mylevana.com), Dec. 2, 2010, 4 pages.

\* cited by examiner



*FIG. 1*

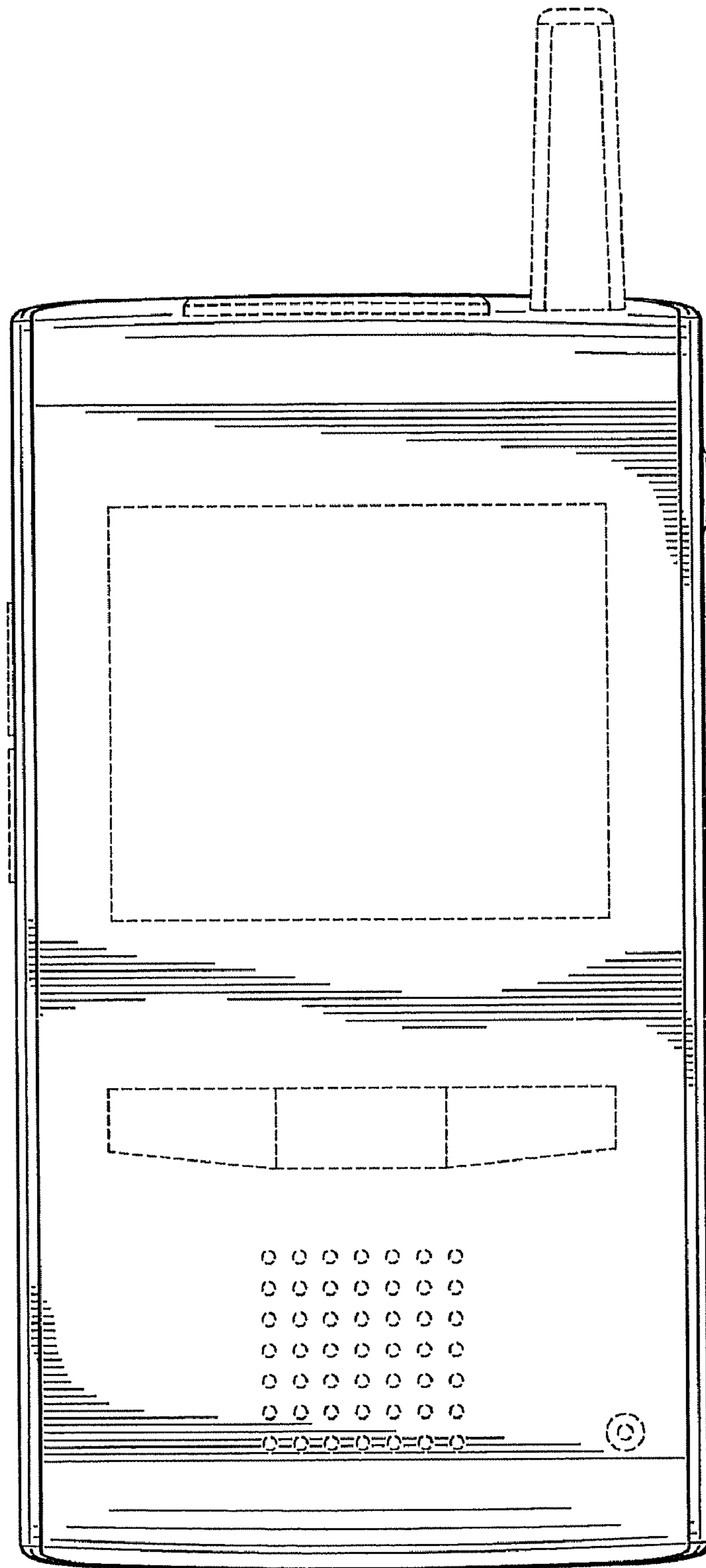


FIG. 2



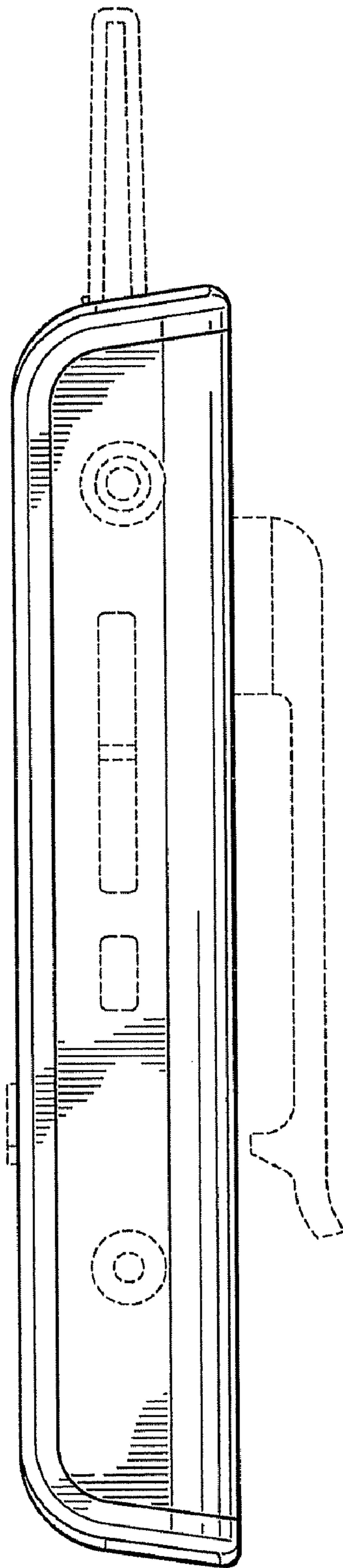


FIG. 3

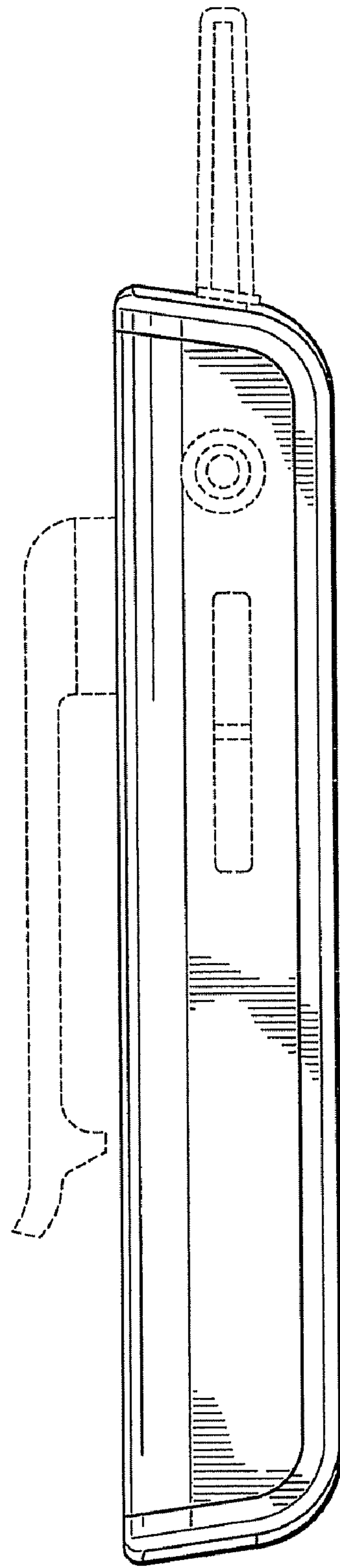


FIG. 4

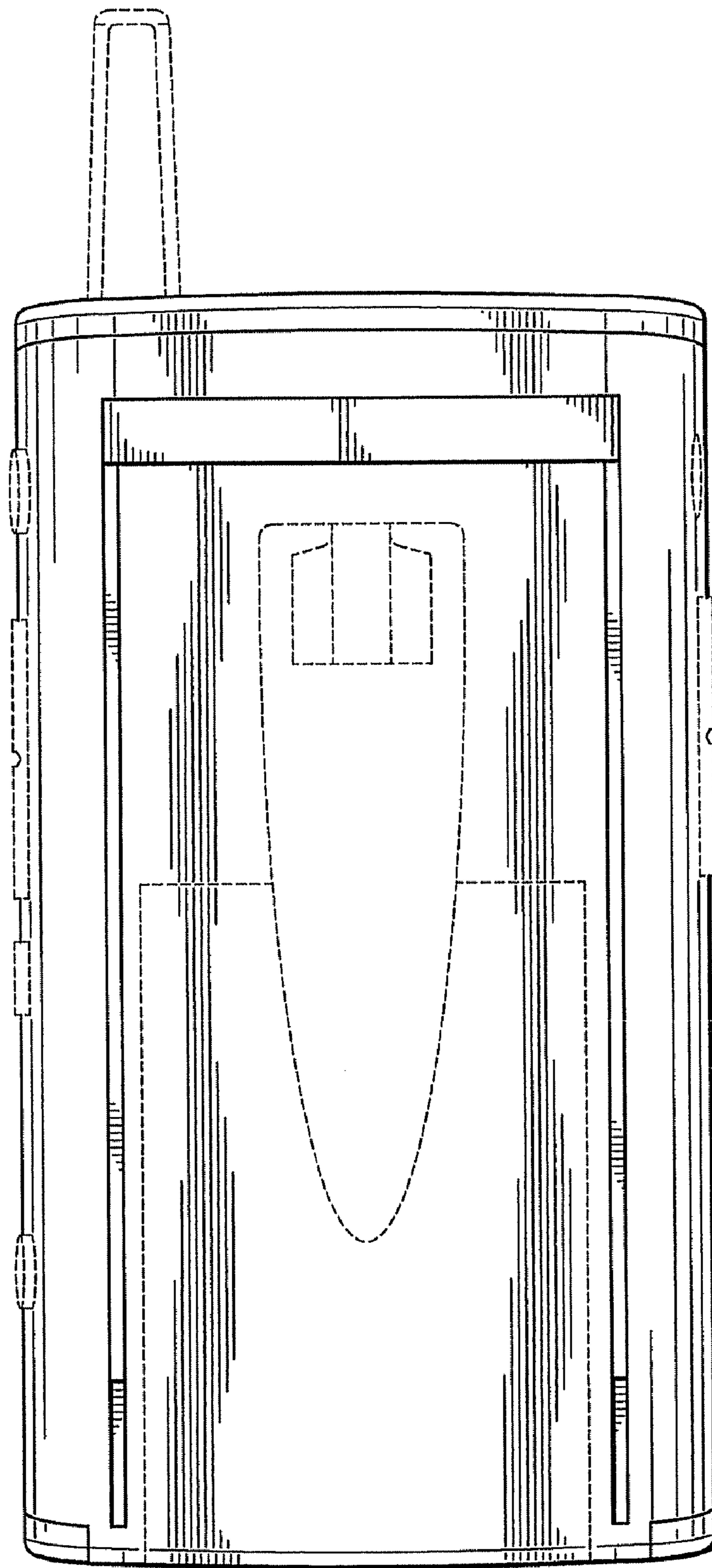
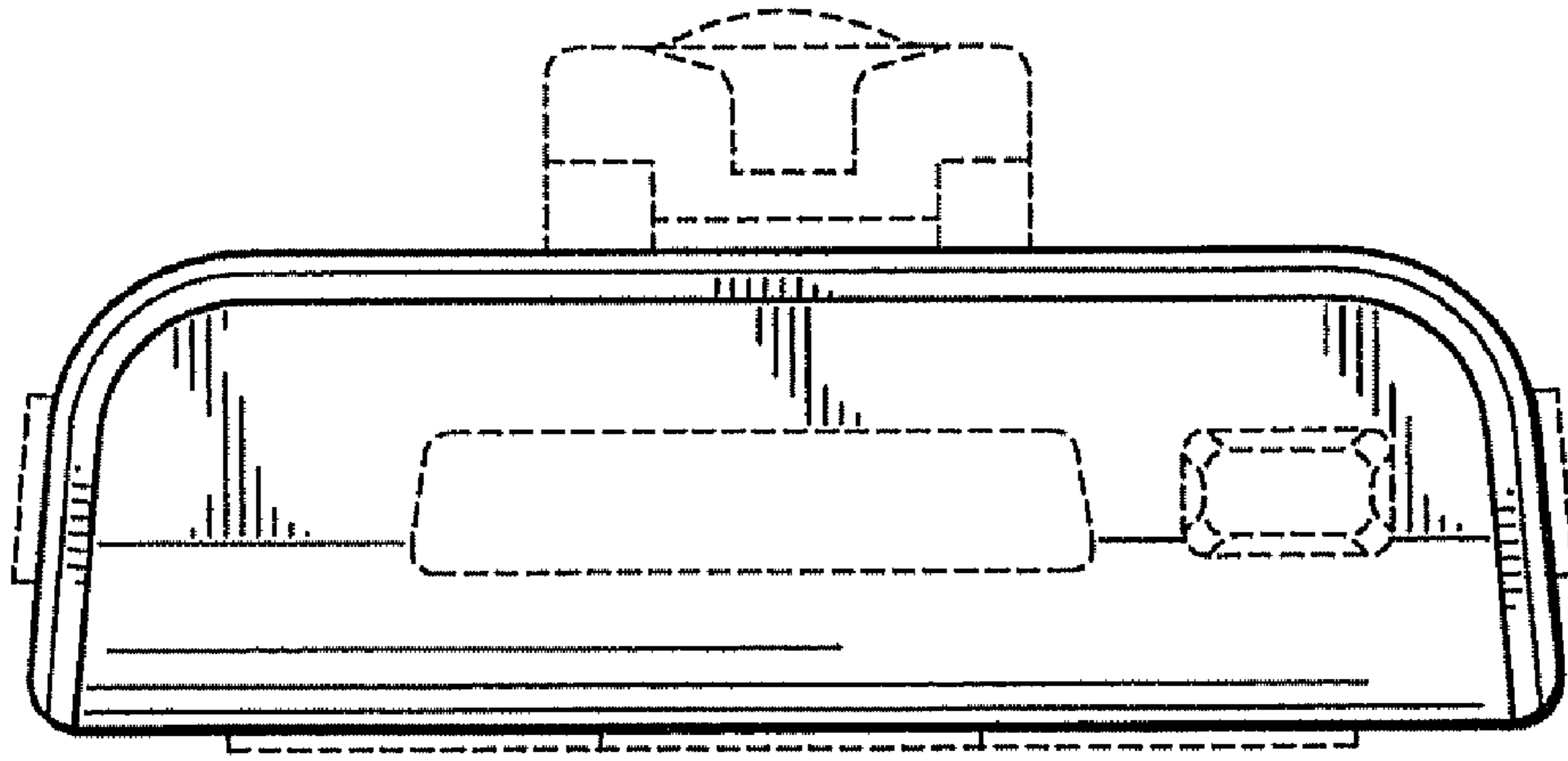
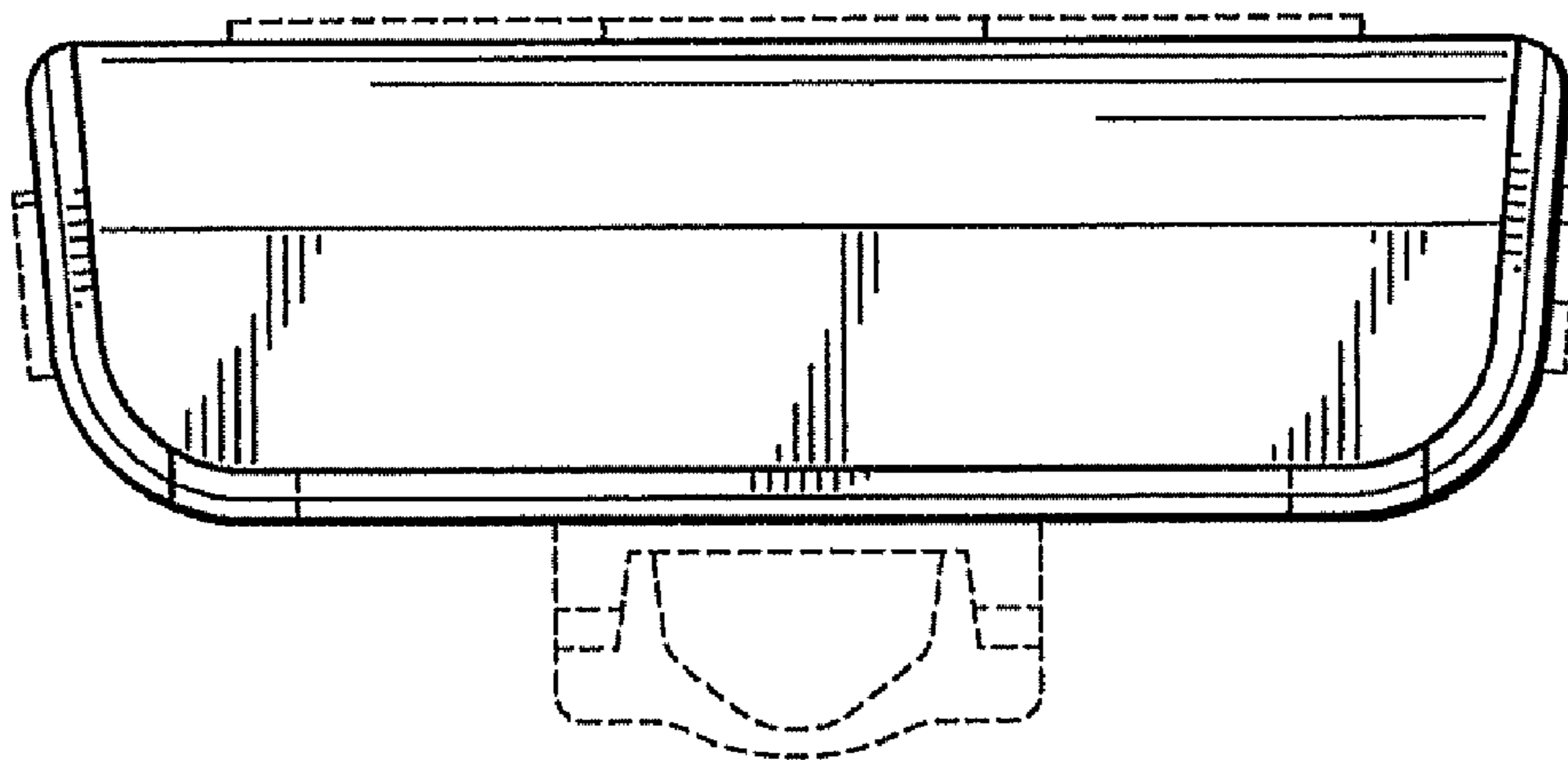


FIG. 5



*FIG. 6*



*FIG. 7*

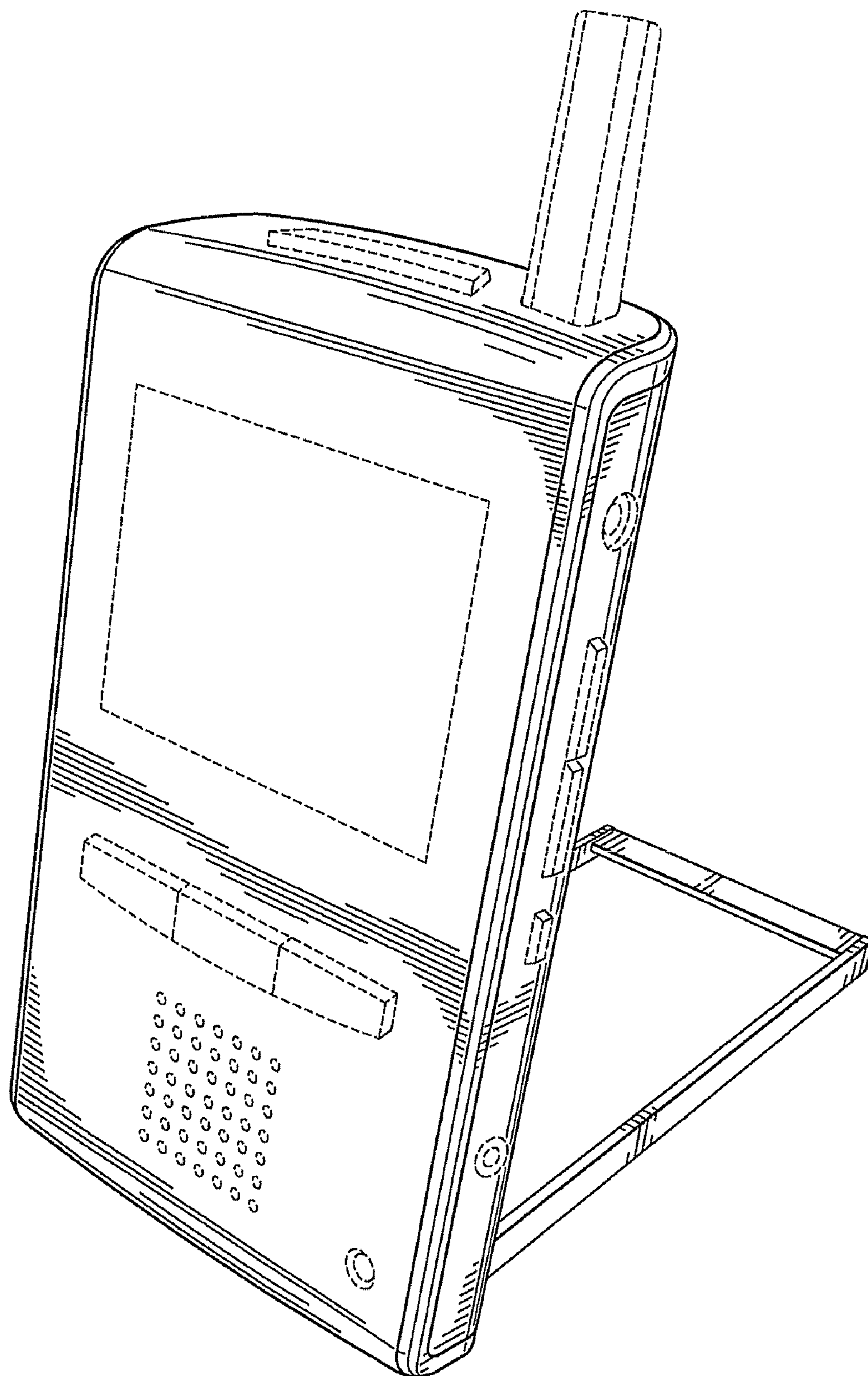


FIG. 8



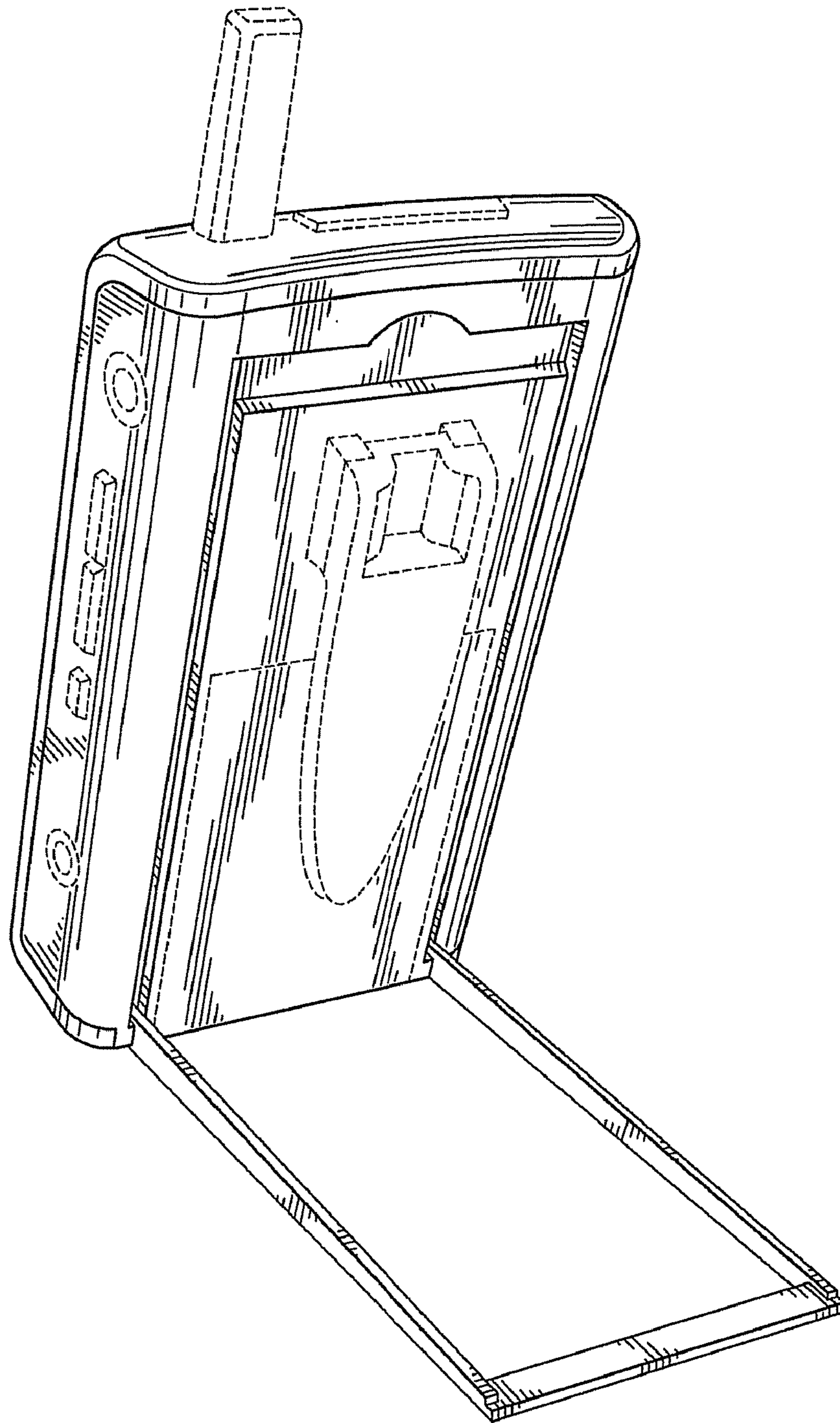


FIG. 9