



US00D672734S

(12) **United States Design Patent**
Chou et al.

(10) **Patent No.:** **US D672,734 S**

(45) **Date of Patent:** **** Dec. 18, 2012**

(54) **SLAVE SET-TOP BOX**

(75) Inventors: **Chih-Yung Chou**, New Taipei (TW);
Jung-Jen Hsu, New Taipei (TW);
Ching-Feng Hsieh, Taipei (TW)

(73) Assignees: **Askey Technology (Jiangsu) Ltd.** (CN);
Askey Computer Corp. (TW)

(**) Term: **14 Years**

(21) Appl. No.: **29/407,486**

(22) Filed: **Nov. 30, 2011**

(30) **Foreign Application Priority Data**

Nov. 18, 2011 (TW) 100306265

(51) **LOC (9) Cl.** **14-03**

(52) **U.S. Cl.** **D14/125**

(58) **Field of Classification Search** D14/125,
D14/357-358, 496, 188, 242, 432; D13/184;
348/10, 460, 706, 731; 340/825.03; 455/6.1,
455/6.2; 312/223.1, 7.2

See application file for complete search history.

(56) **References Cited**

U.S. PATENT DOCUMENTS

D311,910 S *	11/1990	Pedinielli et al.	D14/242
D408,812 S *	4/1999	Danis	D14/137
D463,416 S *	9/2002	Tomino et al.	D14/240
D572,674 S *	7/2008	Paradise	D14/125
D575,801 S *	8/2008	Kusano et al.	D14/496
D598,892 S *	8/2009	Wada et al.	D14/188
D610,103 S *	2/2010	Miller et al.	D14/125

* cited by examiner

Primary Examiner — Raphael Barkai
Assistant Examiner — Randall Gholson

(74) *Attorney, Agent, or Firm* — Schmeiser, Olsen & Watts,
LLP

(57) **CLAIM**

The ornamental design for a slave set-top box, as shown and described.

DESCRIPTION

FIG. 1 is a perspective view of a slave set-top box showing my new design;

FIG. 2 is a front elevational view thereof;

FIG. 3 is a rear elevational view thereof, the broken line showing are for illustrative purposes only and form no part of the claimed design;

FIG. 4 is a left side elevational view thereof, the broken line showing are for illustrative purposes only and form no part of the claimed design;

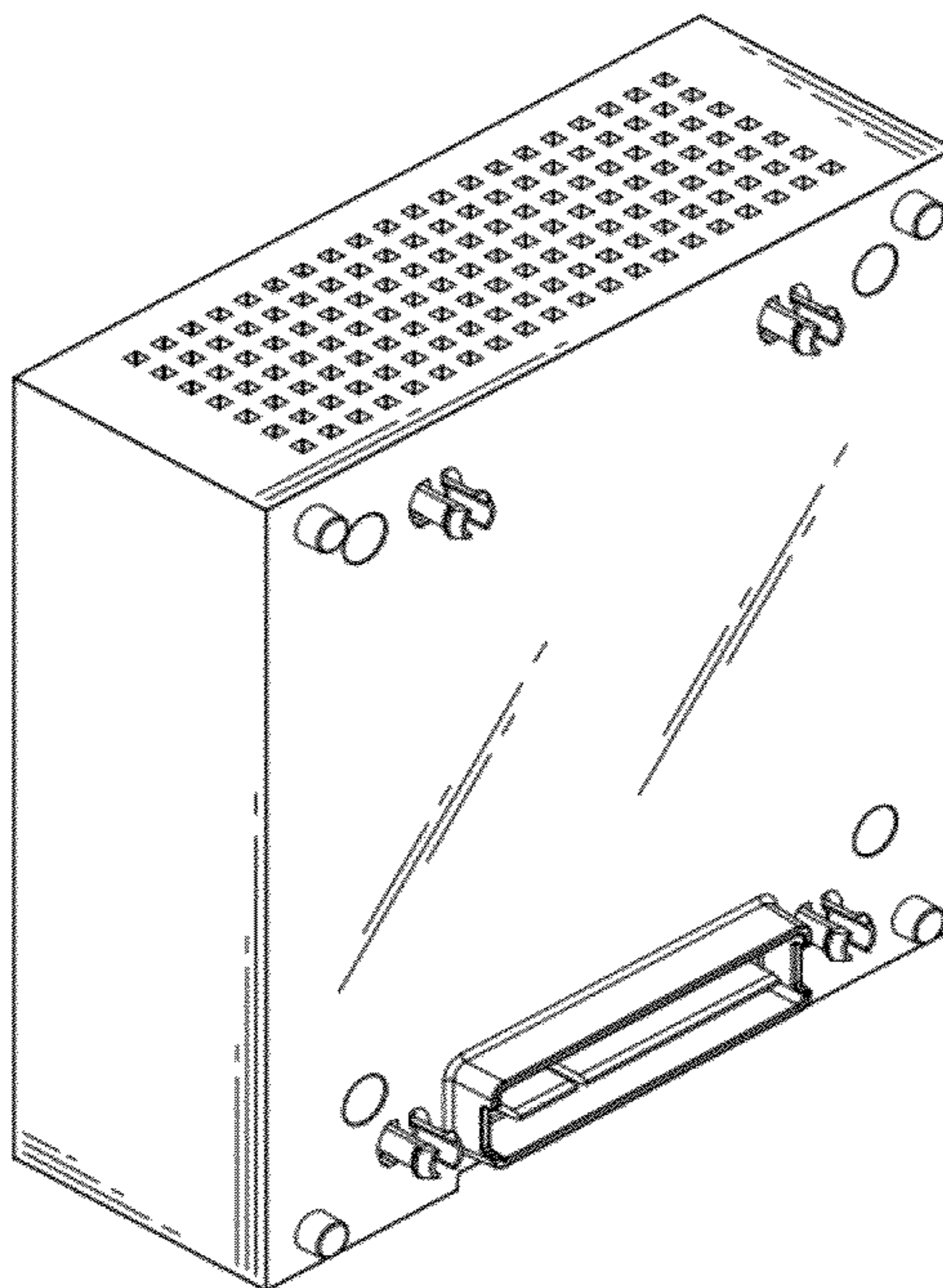
FIG. 5 is a right side elevational view thereof, the broken line showing are for illustrative purposes only and form no part of the claimed design;

FIG. 6 is a top plan view thereof, the broken line showing are for illustrative purposes only and form no part of the claimed design; and

FIG. 7 is a bottom plan view thereof, the broken line showing are for illustrative purposes only and form no part of the claimed design; and,

FIG. 8 is another perspective view of a slave set-top box showing my new design.

1 Claim, 8 Drawing Sheets



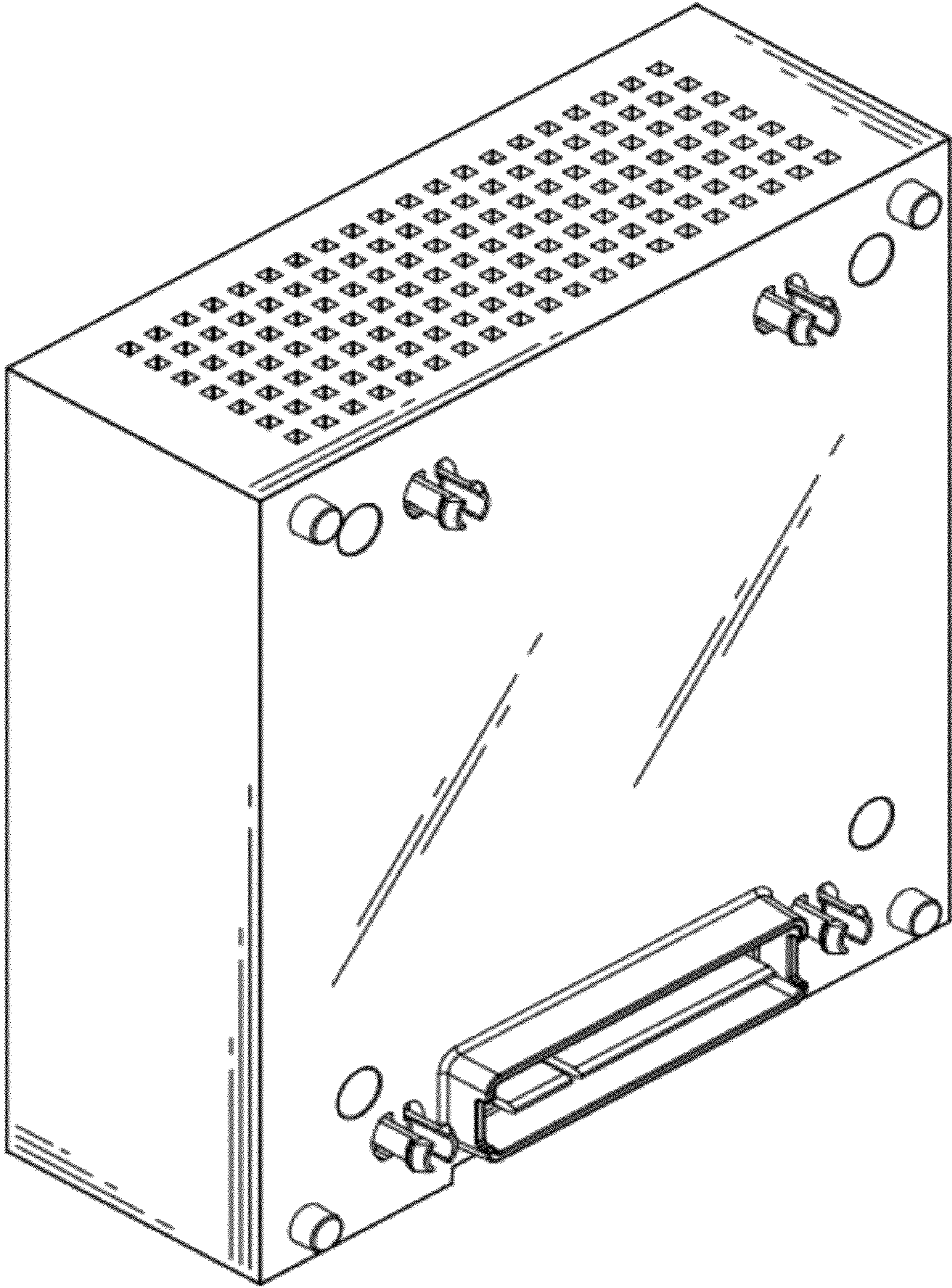


FIG. 1

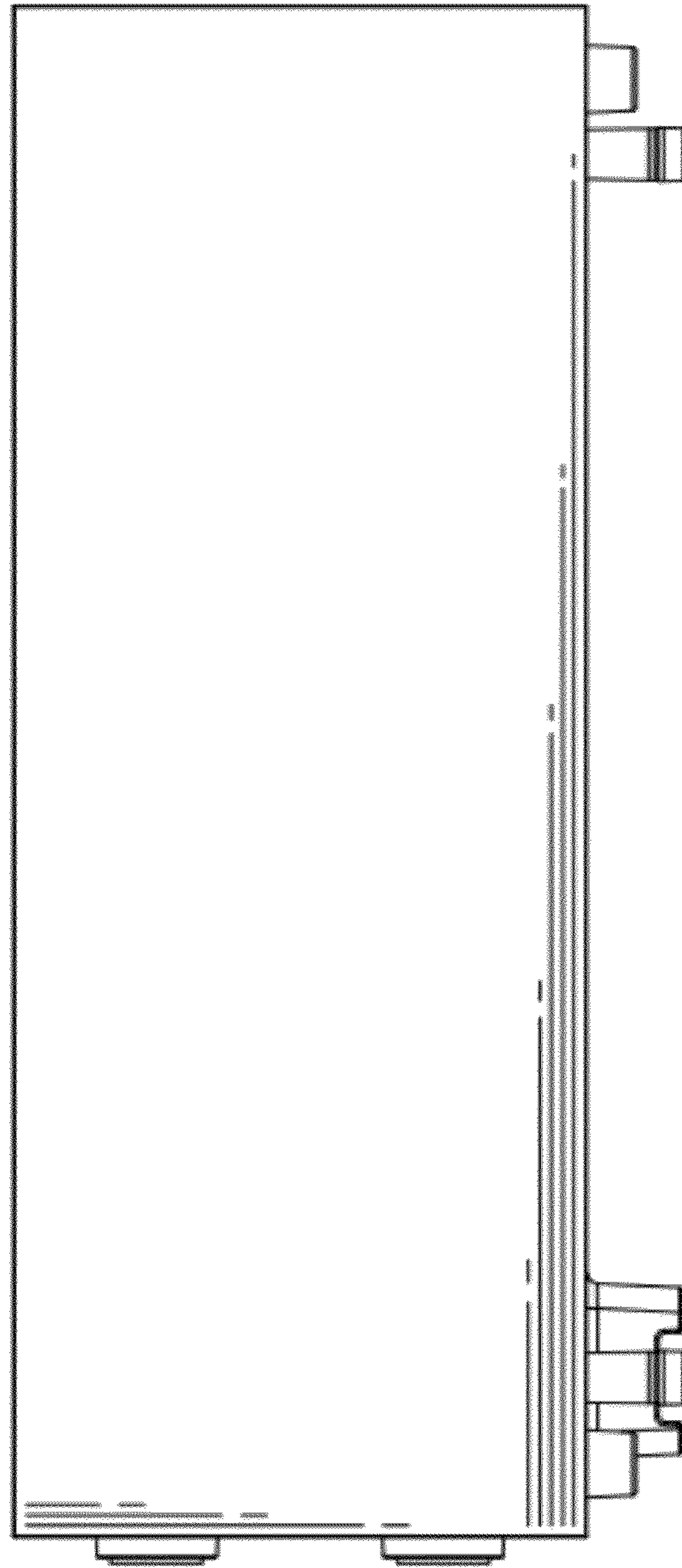


FIG. 2

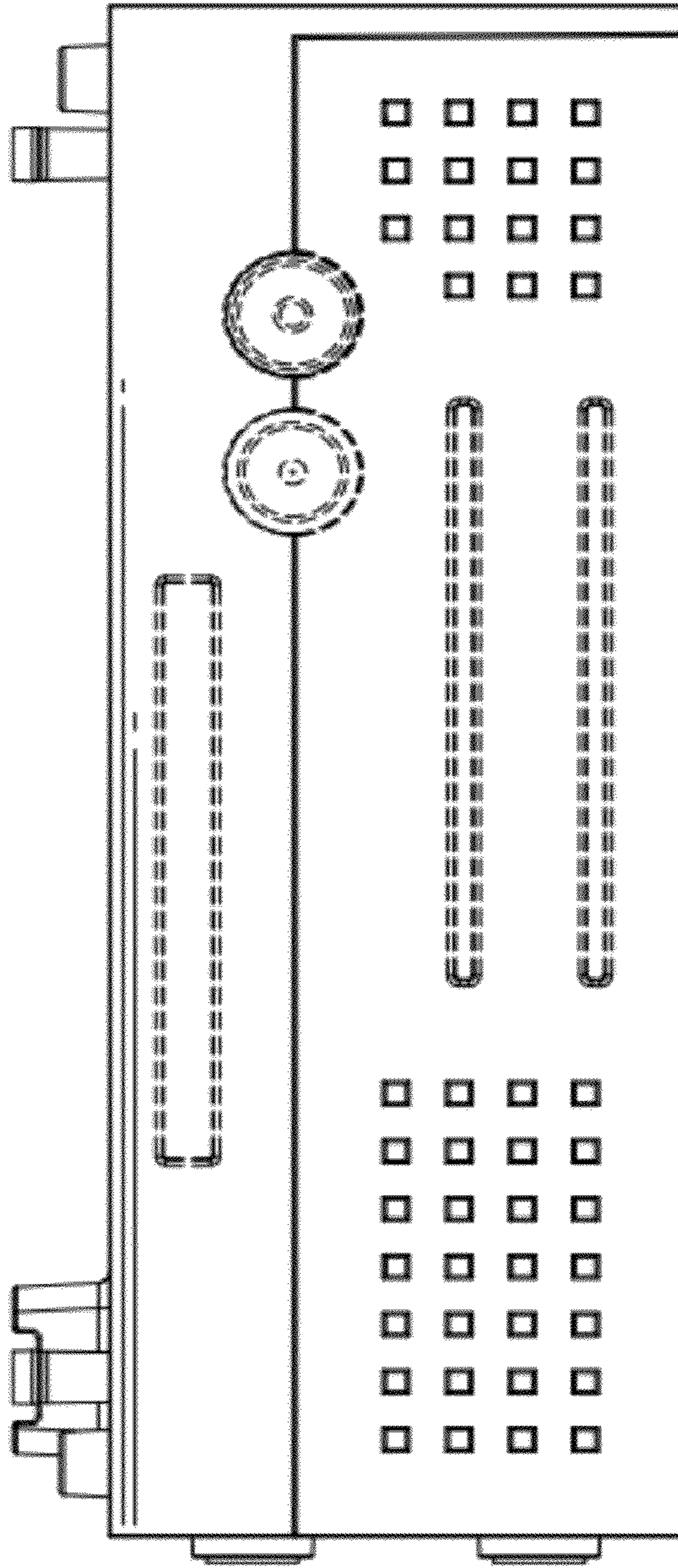


FIG. 3

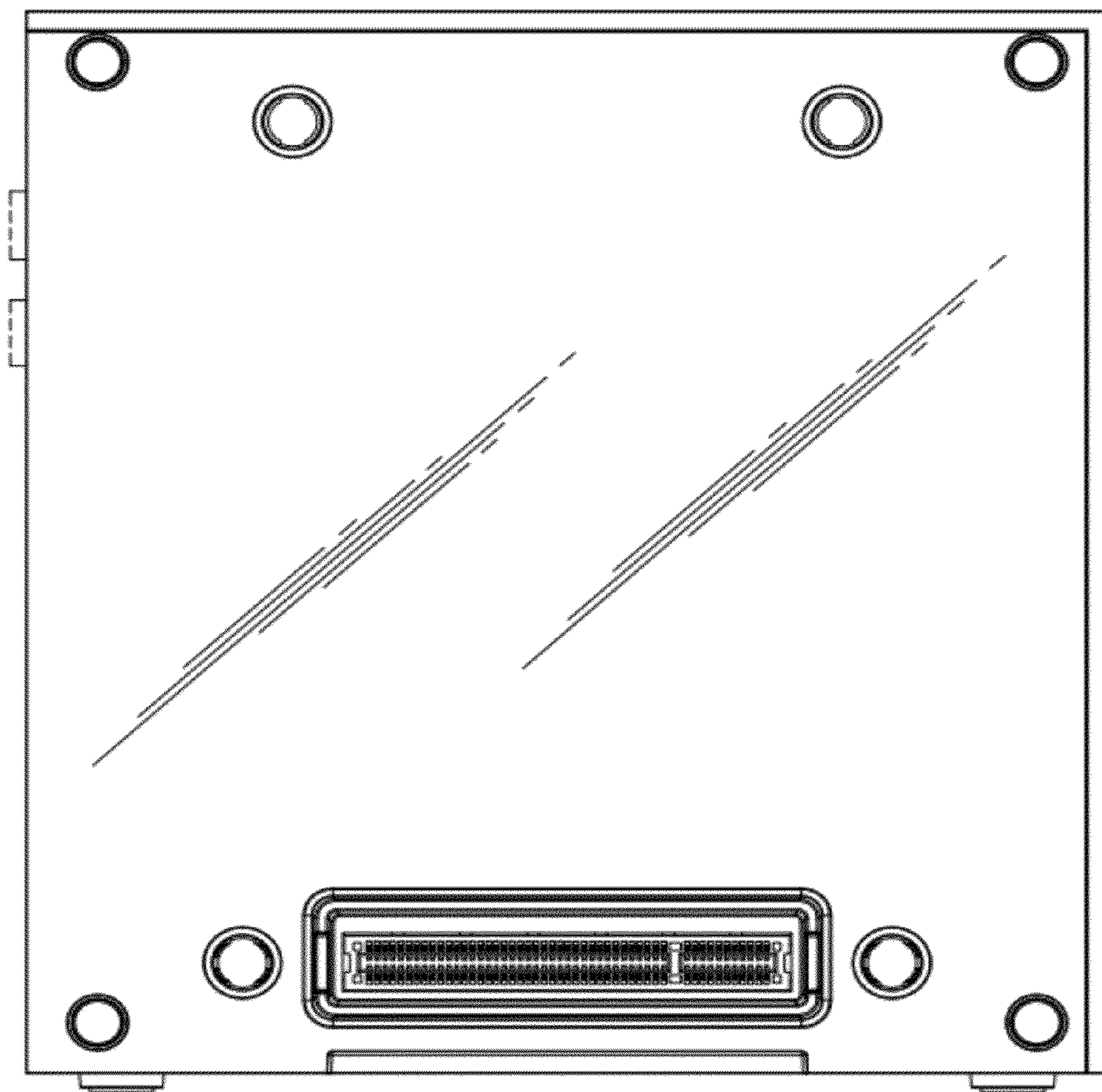


FIG. 4

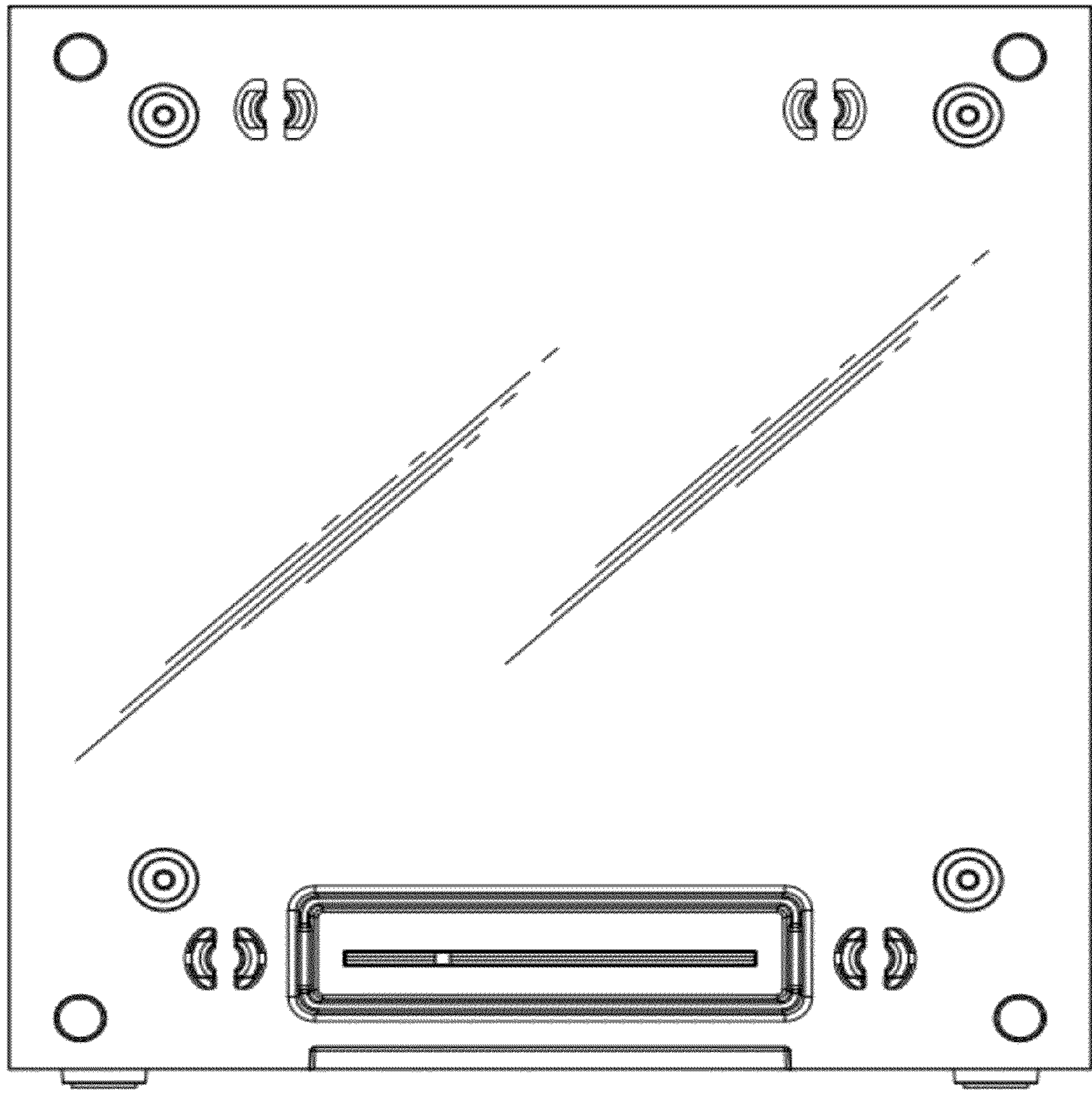


FIG. 5

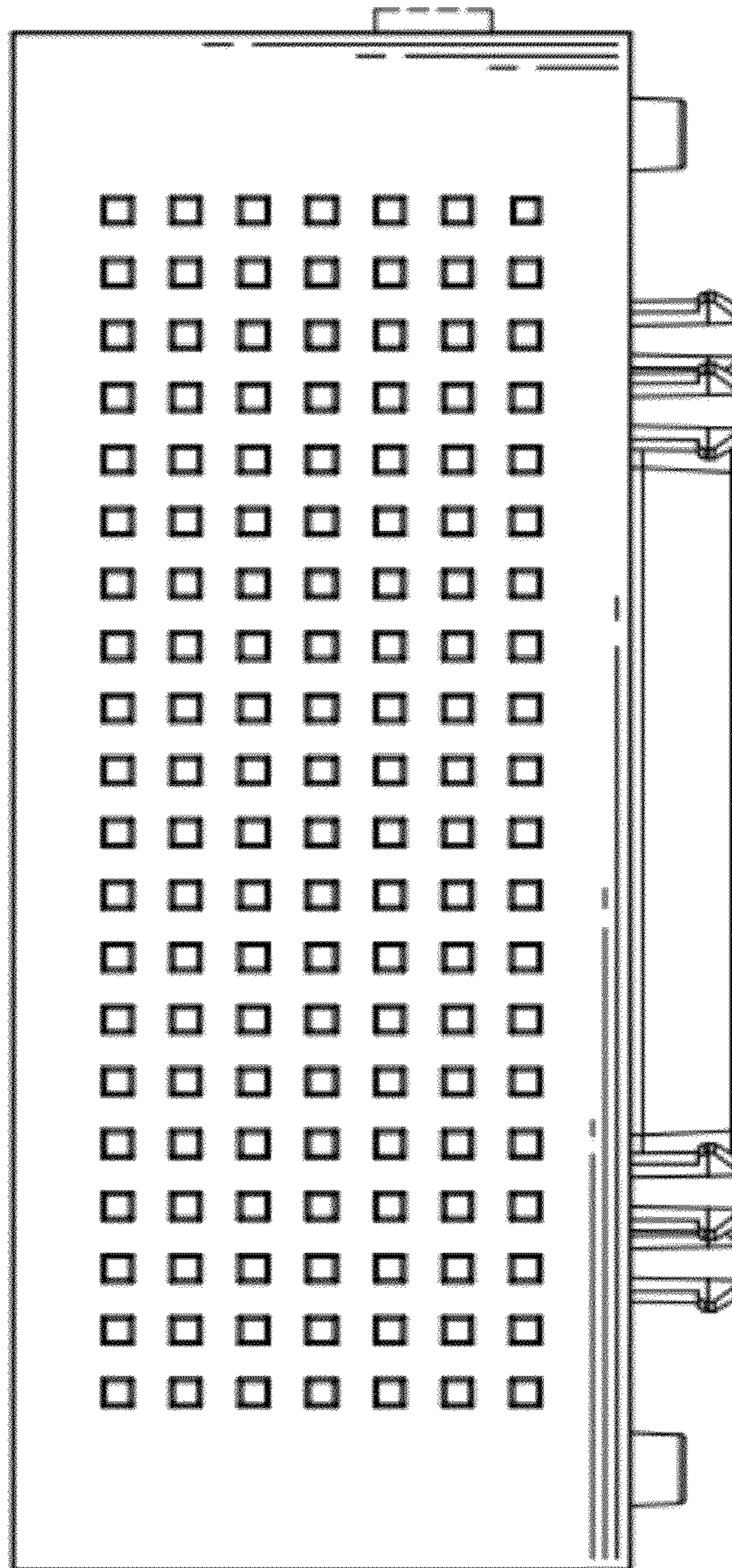


FIG. 6

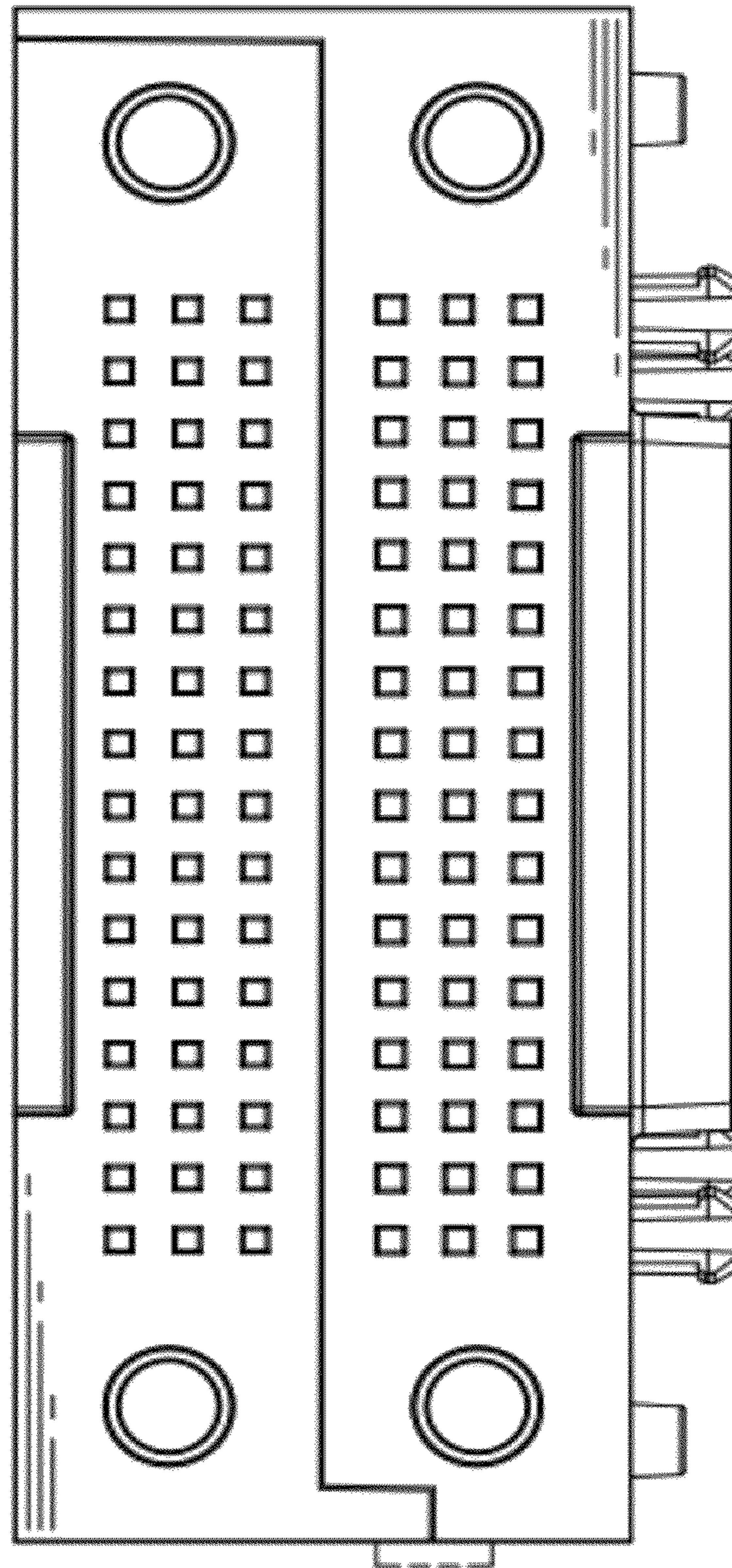


FIG. 7

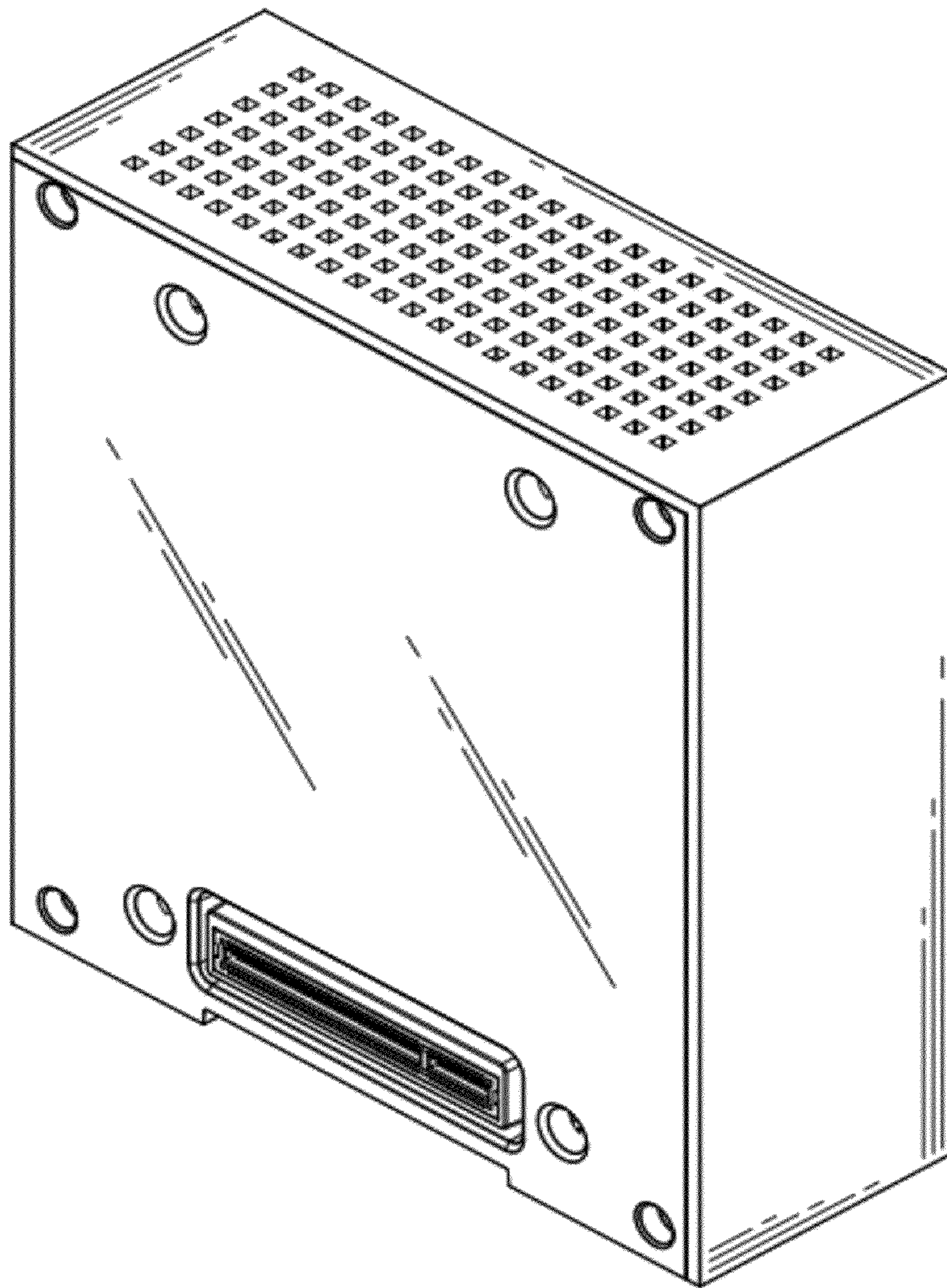


FIG. 8