



US00D672732S

(12) **United States Design Patent**
Lee et al.

(10) **Patent No.:** **US D672,732 S**
(45) **Date of Patent:** **** Dec. 18, 2012**

(54) **LED DEVICE**

(75) Inventors: **Hou-Te Lee**, Kaohsiung (TW);
Tsung-Kang Ying, New Taipei (TW);
Chia-Hung Chu, Miaoli County (TW);
Shih-Po Yu, New Taipei (TW)

(73) Assignees: **Silitek Electronic (Guangzhou) Co., Ltd.**, Guangzhou (CN); **Lite-On Technology Corporation**, Taipei (TW)

(**) Term: **14 Years**

(21) Appl. No.: **29/407,483**

(22) Filed: **Nov. 30, 2011**

(51) **LOC (9) Cl.** **13-03**

(52) **U.S. Cl.** **D13/180**

(58) **Field of Classification Search** D13/180;
D26/1, 2; 257/79, 80, 81, 88, 89, 95, 98,
257/99, 100, E33.058; 313/483, 498, 500;
362/555, 800

See application file for complete search history.

(56) **References Cited**

U.S. PATENT DOCUMENTS

6,777,719	B1 *	8/2004	Fujii	257/99
7,049,639	B2 *	5/2006	Wang et al.	257/99
D576,965	S *	9/2008	Takine	D13/180
D590,354	S *	4/2009	Tsuchiya et al.	D13/180
D590,358	S *	4/2009	Miyashita et al.	D13/180
D602,884	S *	10/2009	Wada et al.	D13/180
7,731,405	B2 *	6/2010	Ishizaka et al.	362/555

D623,611	S *	9/2010	Okuwaki	D13/180
D624,511	S *	9/2010	Watanabe et al.	D13/180
D628,166	S *	11/2010	Okuwaki	D13/180
D640,644	S *	6/2011	Tsou	D13/180
D647,068	S *	10/2011	Okuwaki	D13/180
D662,903	S *	7/2012	Kobayakawa et al.	D13/180
D663,703	S *	7/2012	Kobayakawa et al.	D13/180
2006/0113906	A1 *	6/2006	Ogawa	313/512
2010/0072502	A1 *	3/2010	Kadotani	257/98

* cited by examiner

Primary Examiner — Selina Sikder

(74) *Attorney, Agent, or Firm* — Li & Cai Intellectual Property (USA) Office

(57) **CLAIM**

The ornamental design for a “LED device,” as shown and described.

DESCRIPTION

FIG. 1 is a perspective view of a “LED device” showing my new design;

FIG. 2 is a front view thereof;

FIG. 3 is a rear view thereof;

FIG. 4 is a left side view thereof;

FIG. 5 is a right side view thereof;

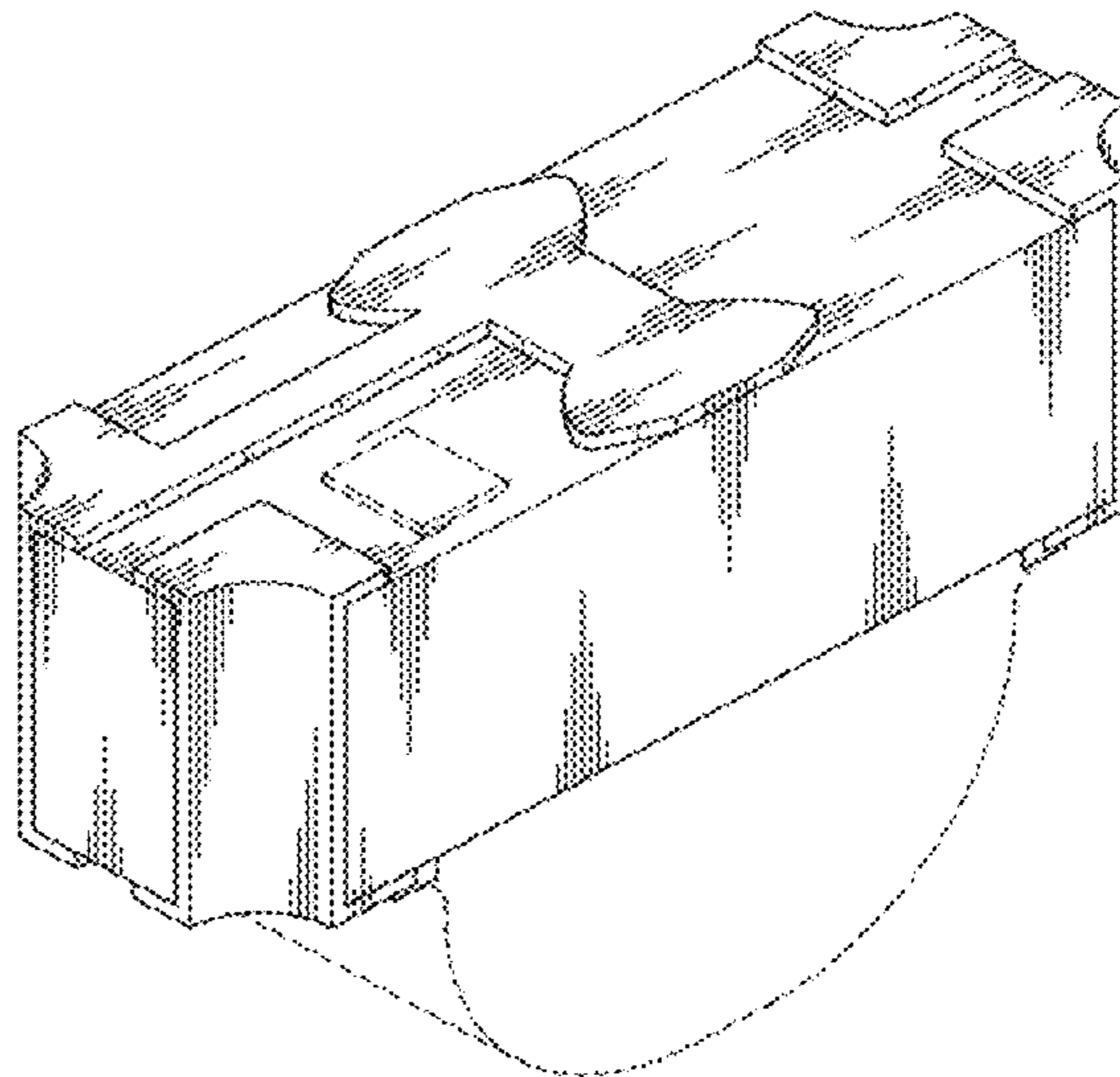
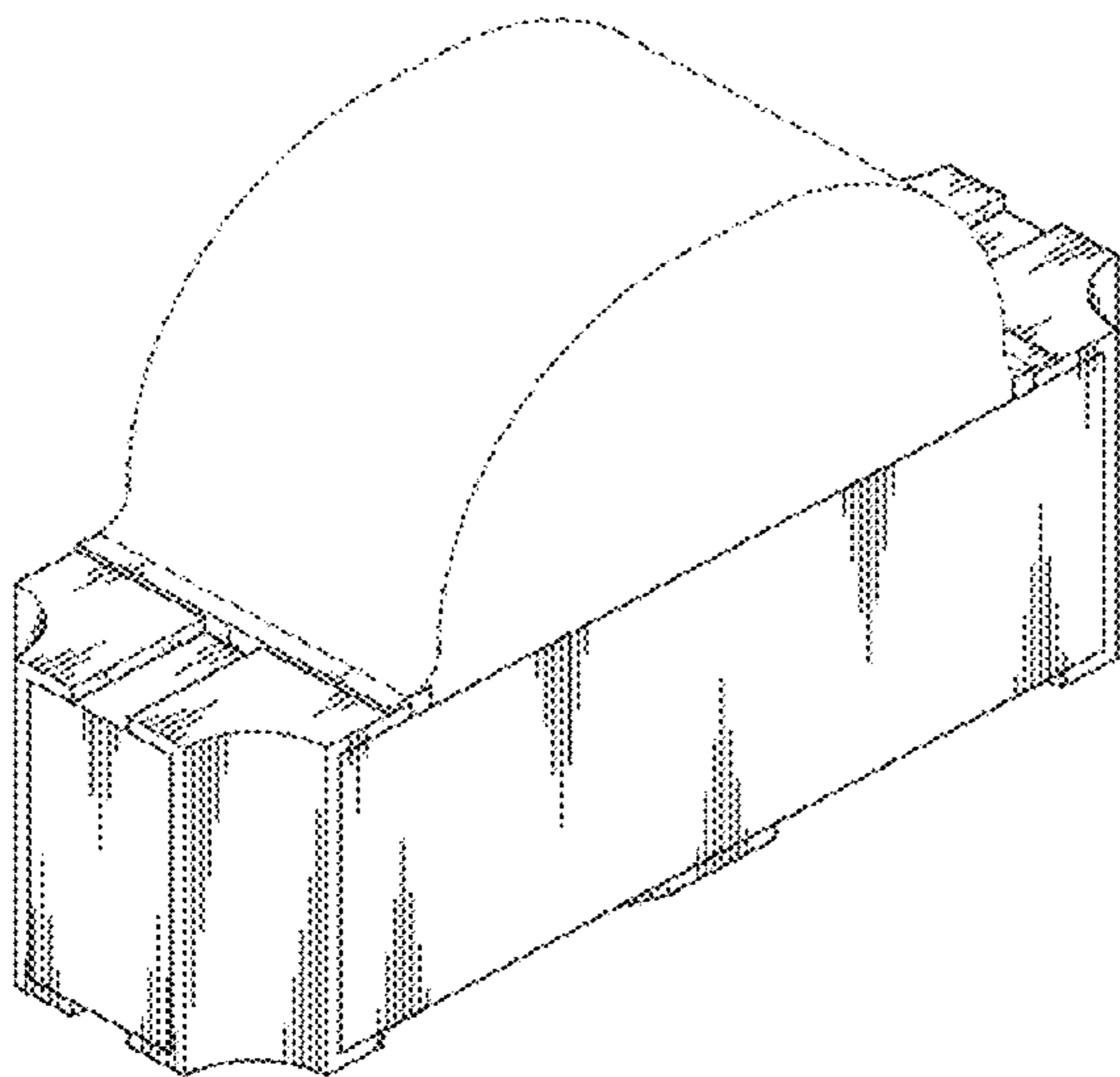
FIG. 6 is a top view thereof;

FIG. 7 is a bottom view thereof; and,

FIG. 8 is a perspective view viewed from another visual angle.

The dashed lines in the drawings are for illustrative purpose only and form no part of the claimed design.

1 Claim, 5 Drawing Sheets



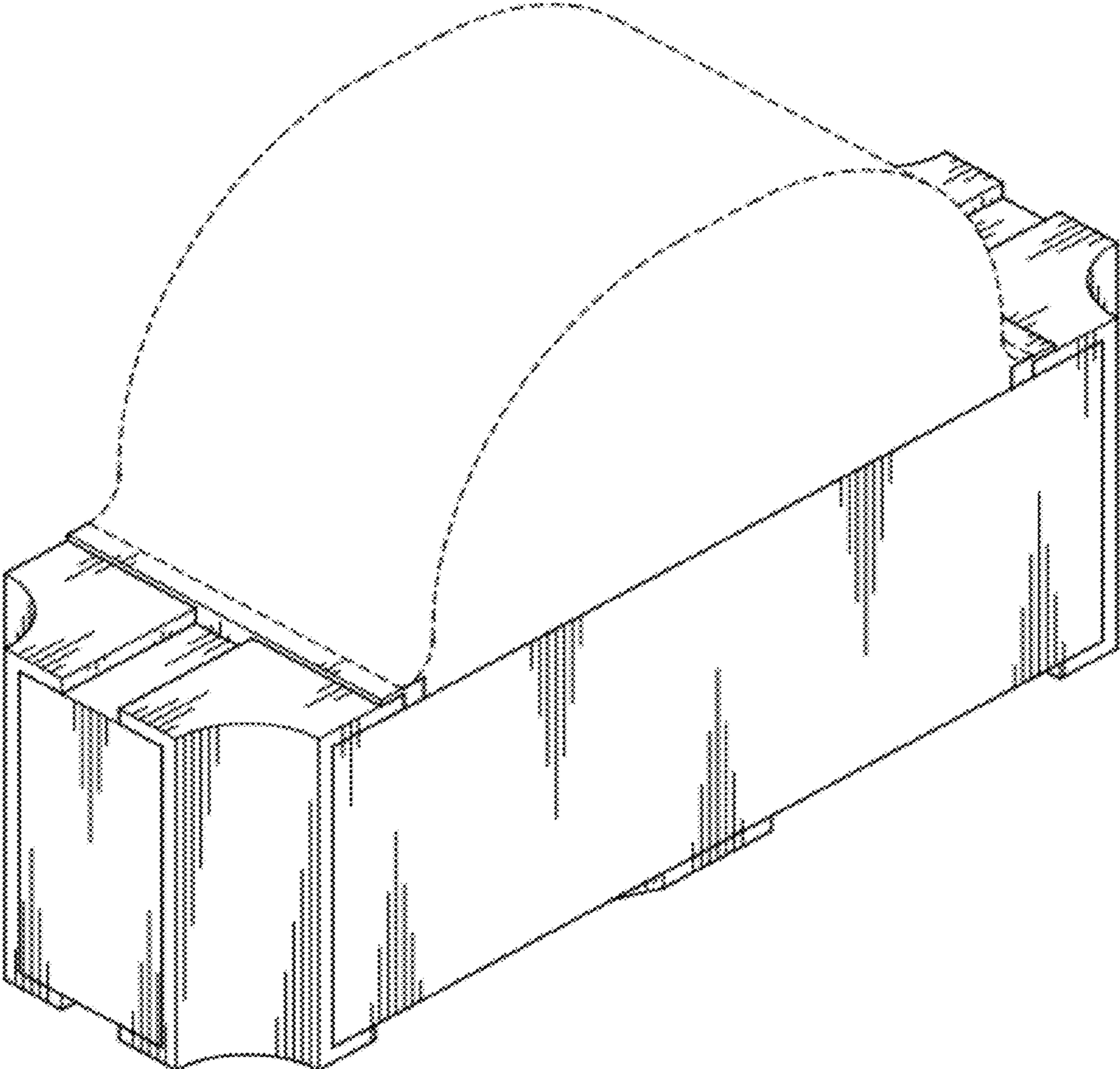


FIG. 1

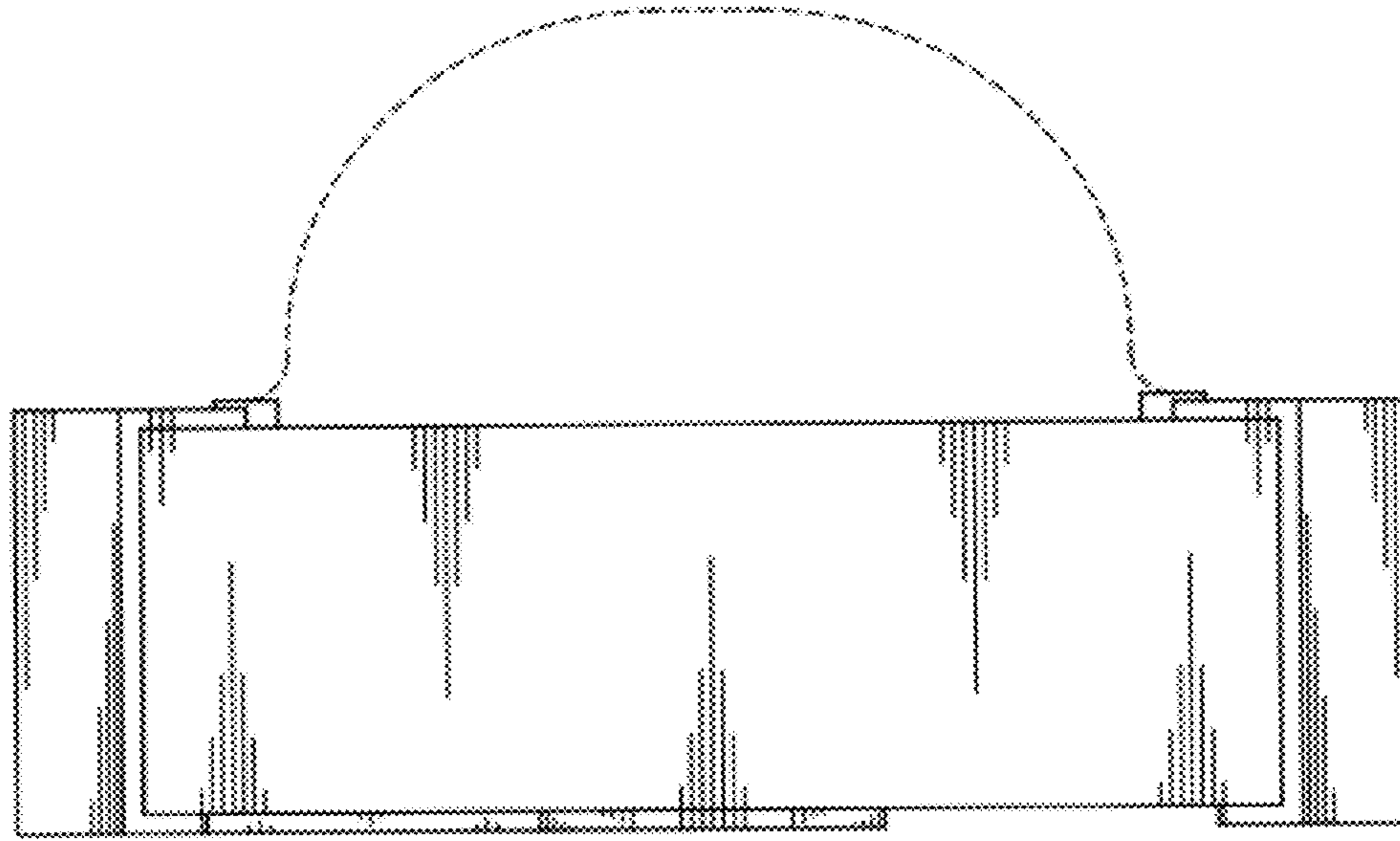


FIG. 2

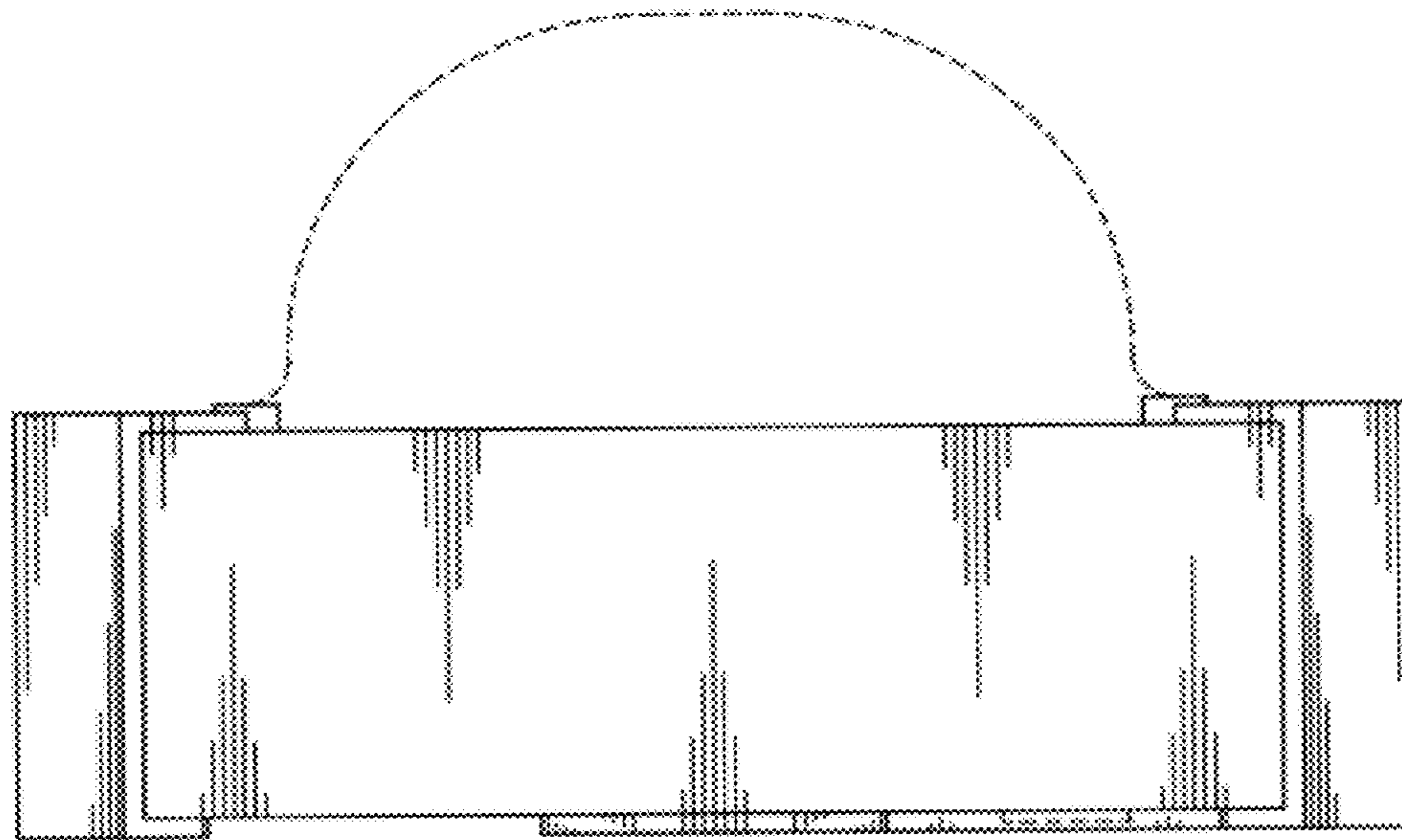


FIG. 3

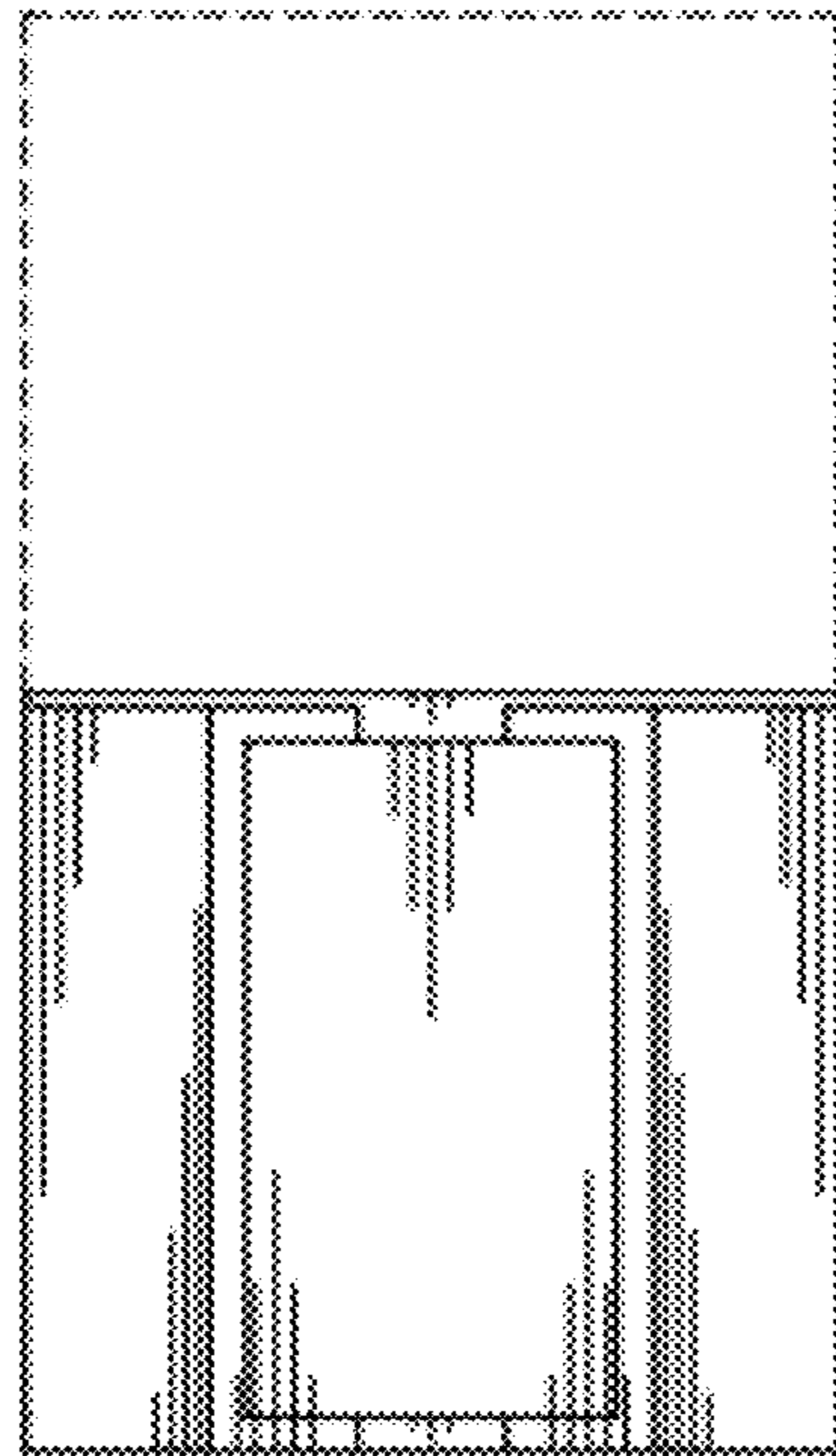


FIG. 4

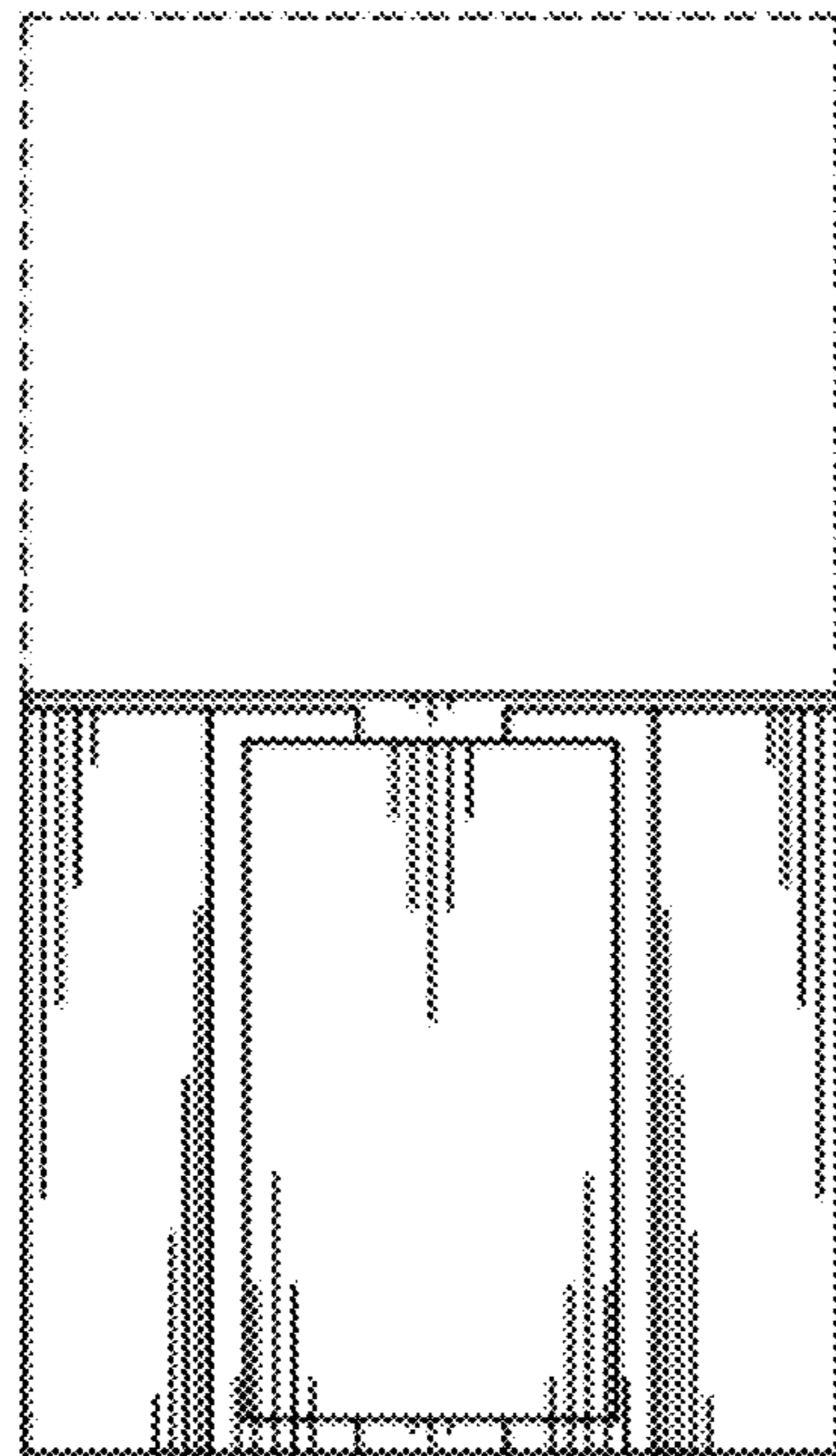


FIG. 5



FIG. 6

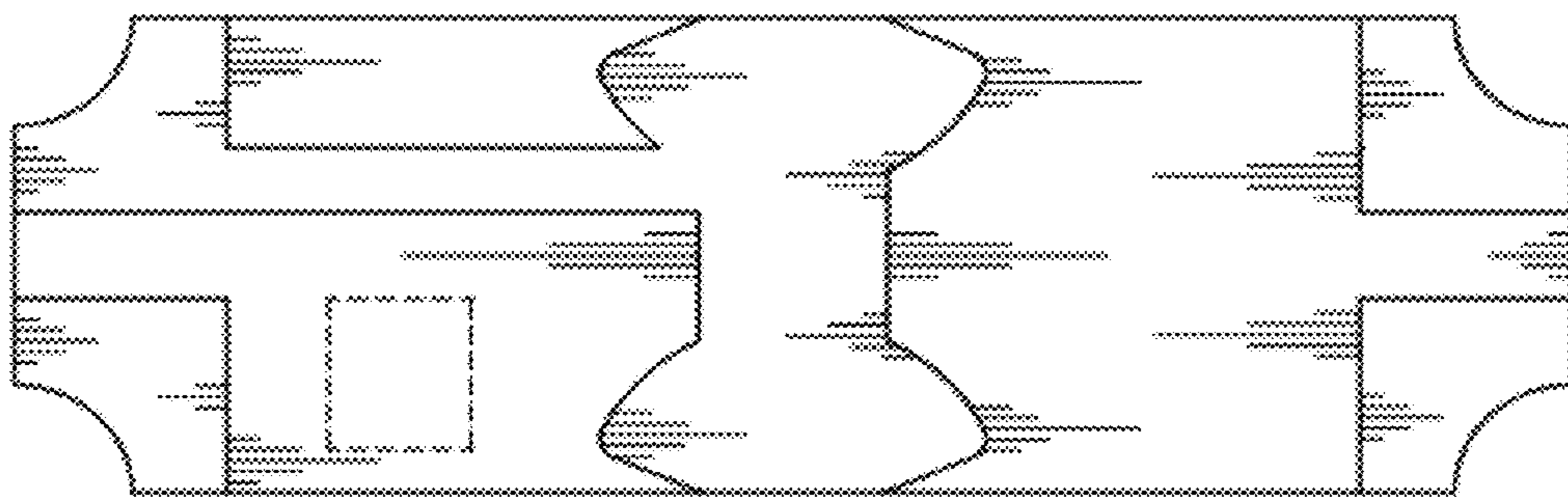


FIG. 7

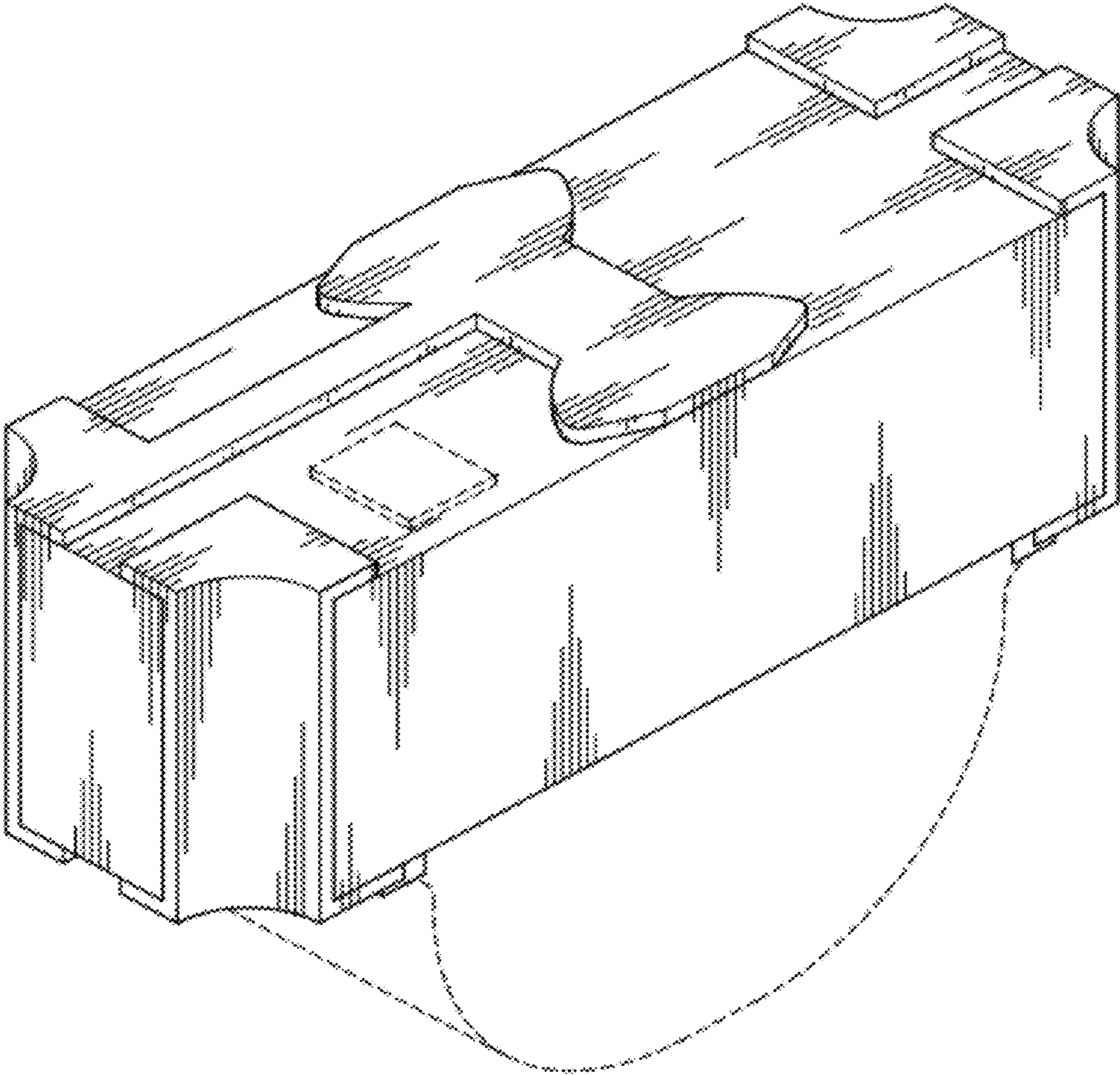


FIG. 8