



US00D672731S

(12) **United States Design Patent**
Bergmann et al.

(10) **Patent No.:** **US D672,731 S**

(45) **Date of Patent:** **** *Dec. 18, 2012**

(54) **LIGHT EMITTING DIODE**

(75) Inventors: **Michael Bergmann**, Chapel Hill, NC (US); **Kevin Haberern**, Cary, NC (US); **Matthew Donofrio**, Raleigh, NC (US); **Christopher D. Williams**, Morrisville, NC (US); **Kevin Shawne Schneider**, Cary, NC (US)

(73) Assignee: **Cree, Inc.**, Druham, NC (US)

(*) Notice: This patent is subject to a terminal disclaimer.

(**) Term: **14 Years**

(21) Appl. No.: **29/383,906**

(22) Filed: **Jan. 24, 2011**

(51) **LOC (9) Cl.** **13-03**

(52) **U.S. Cl.** **D13/180**

(58) **Field of Classification Search** D13/180;
D26/1, 2; 257/79, 80, 81, 88, 89, 95, 98,
257/99, 100, E33.058; 313/483, 498, 500;
362/555, 800

See application file for complete search history.

(56) **References Cited**

U.S. PATENT DOCUMENTS

6,518,601	B2 *	2/2003	Wirth	257/98
6,847,052	B2	1/2005	Fan et al.	
7,319,044	B2 *	1/2008	Han et al.	438/22
D580,888	S *	11/2008	Liu	D13/180
D599,748	S *	9/2009	Liu	D13/180
D601,102	S *	9/2009	Onikiri et al.	D13/180
D602,451	S *	10/2009	Gielen	D13/180

D609,653	S *	2/2010	Watanabe et al.	D13/180
D615,505	S *	5/2010	Butterworth et al.	D13/180
7,714,334	B2 *	5/2010	Lin	257/81
D620,897	S *	8/2010	Shan et al.	D13/180
D621,801	S *	8/2010	Hsieh	D13/180
D622,679	S *	8/2010	Hsieh	D13/180
D623,152	S *	9/2010	Hwang et al.	D13/180
D624,510	S *	9/2010	Liu et al.	D13/180
7,795,623	B2	9/2010	Emerson et al.	
D627,311	S *	11/2010	Lai et al.	D13/180
D627,747	S *	11/2010	Chu et al.	D13/180
D628,540	S *	12/2010	Tsou	D13/180
D633,876	S *	3/2011	Shan et al.	D13/180
8,017,963	B2	9/2011	Donofrio et al.	

* cited by examiner

Primary Examiner — Selina Sikder

(74) *Attorney, Agent, or Firm* — Myers Bigel Sibley & Sajovec

(57) **CLAIM**

The ornamental design for a light emitting diode, as shown and described.

DESCRIPTION

FIG. 1 is a top perspective view of an light emitting diode showing our design;

FIG. 2 is a bottom perspective view thereof;

FIG. 3 is a top view thereof;

FIG. 4 is a side view thereof;

FIG. 5 is an opposing side view thereof;

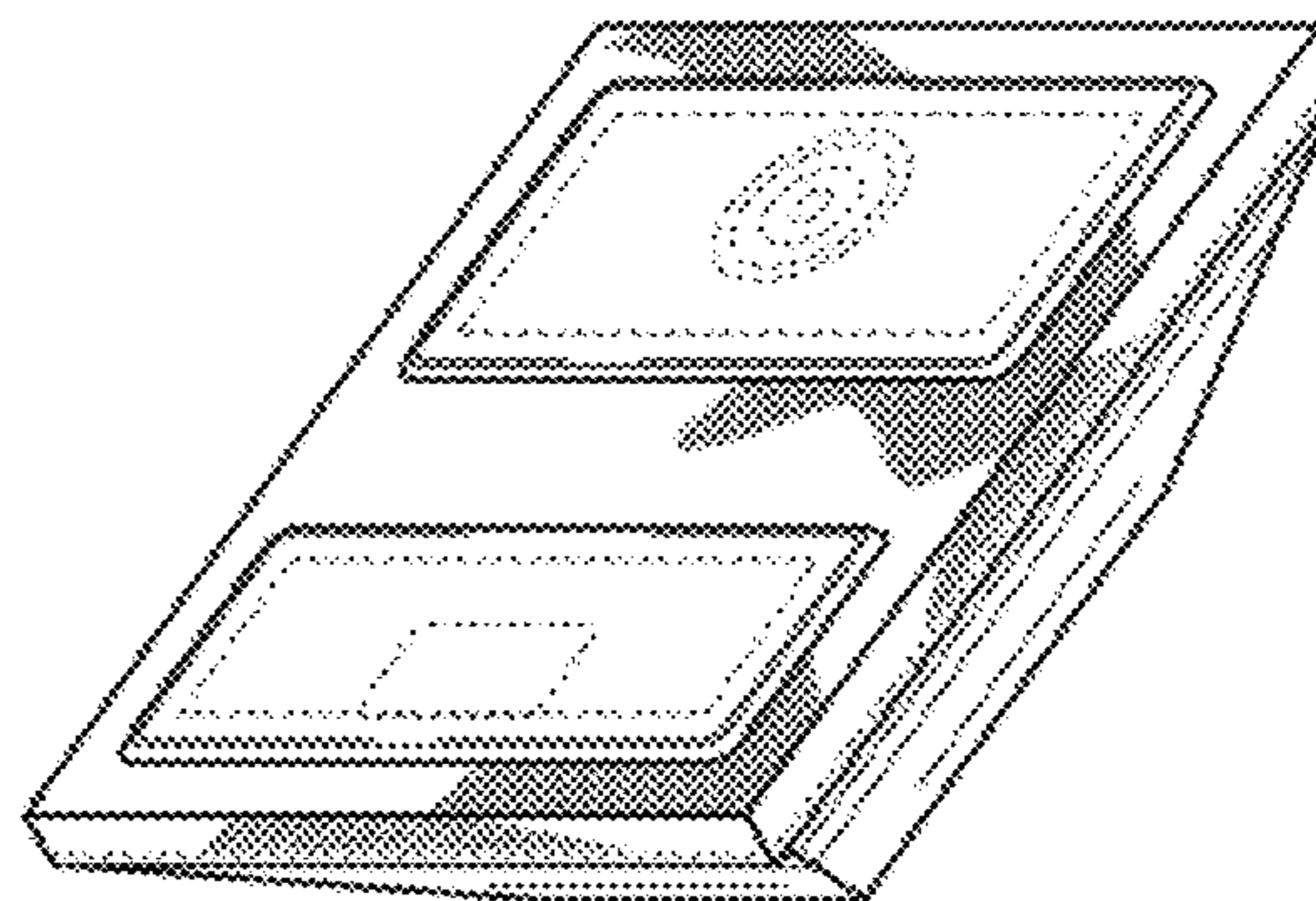
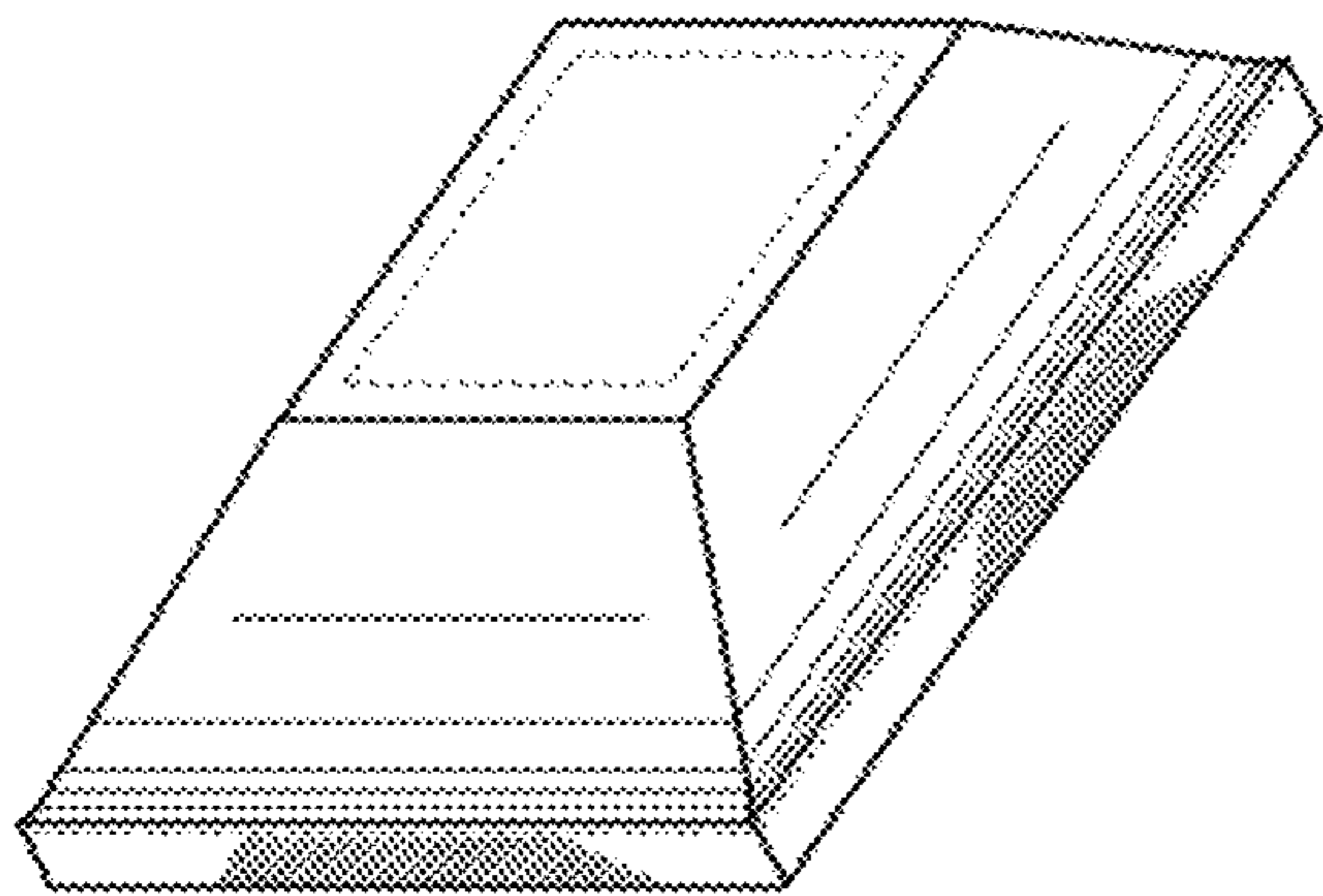
FIG. 6 is a front view thereof;

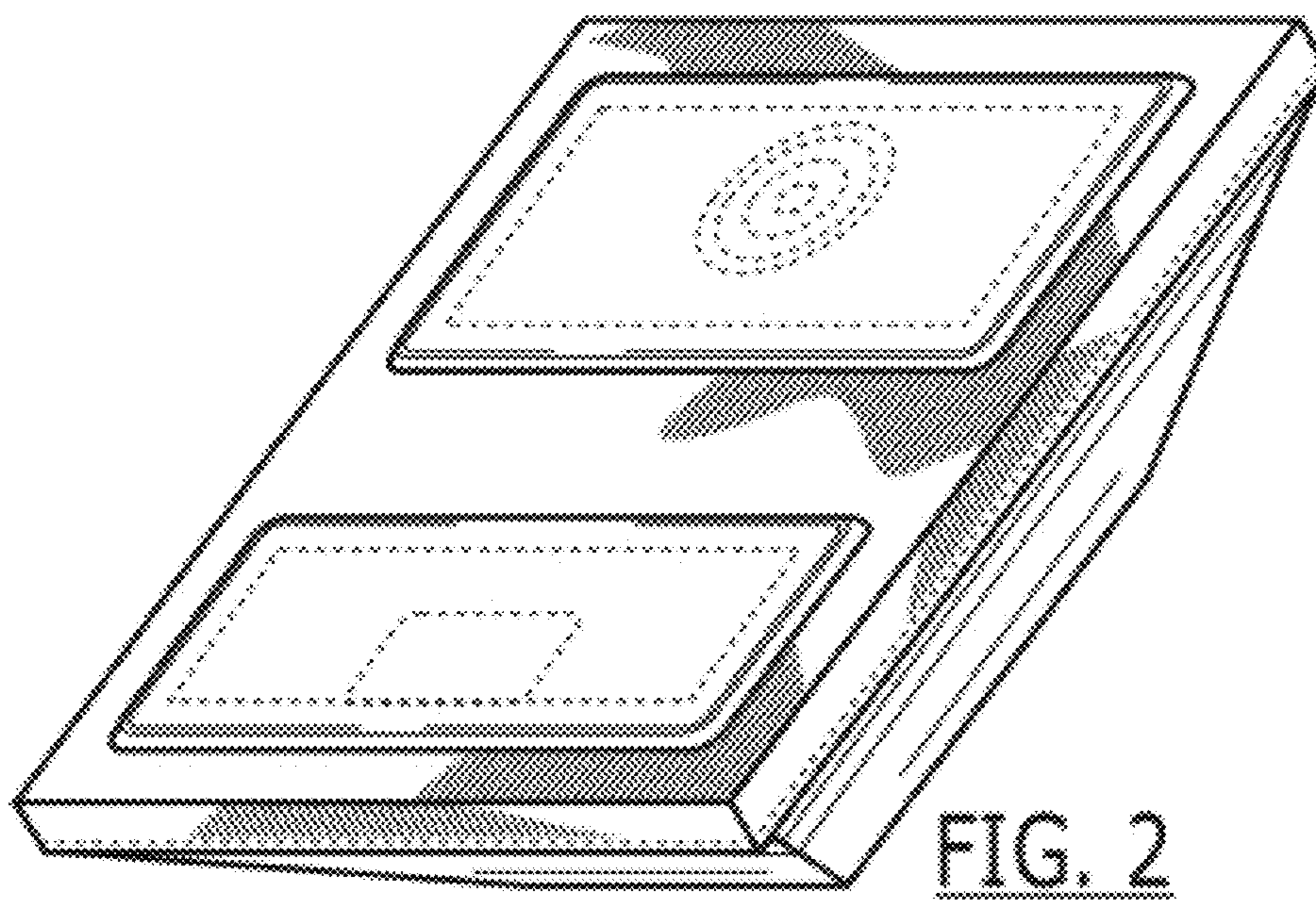
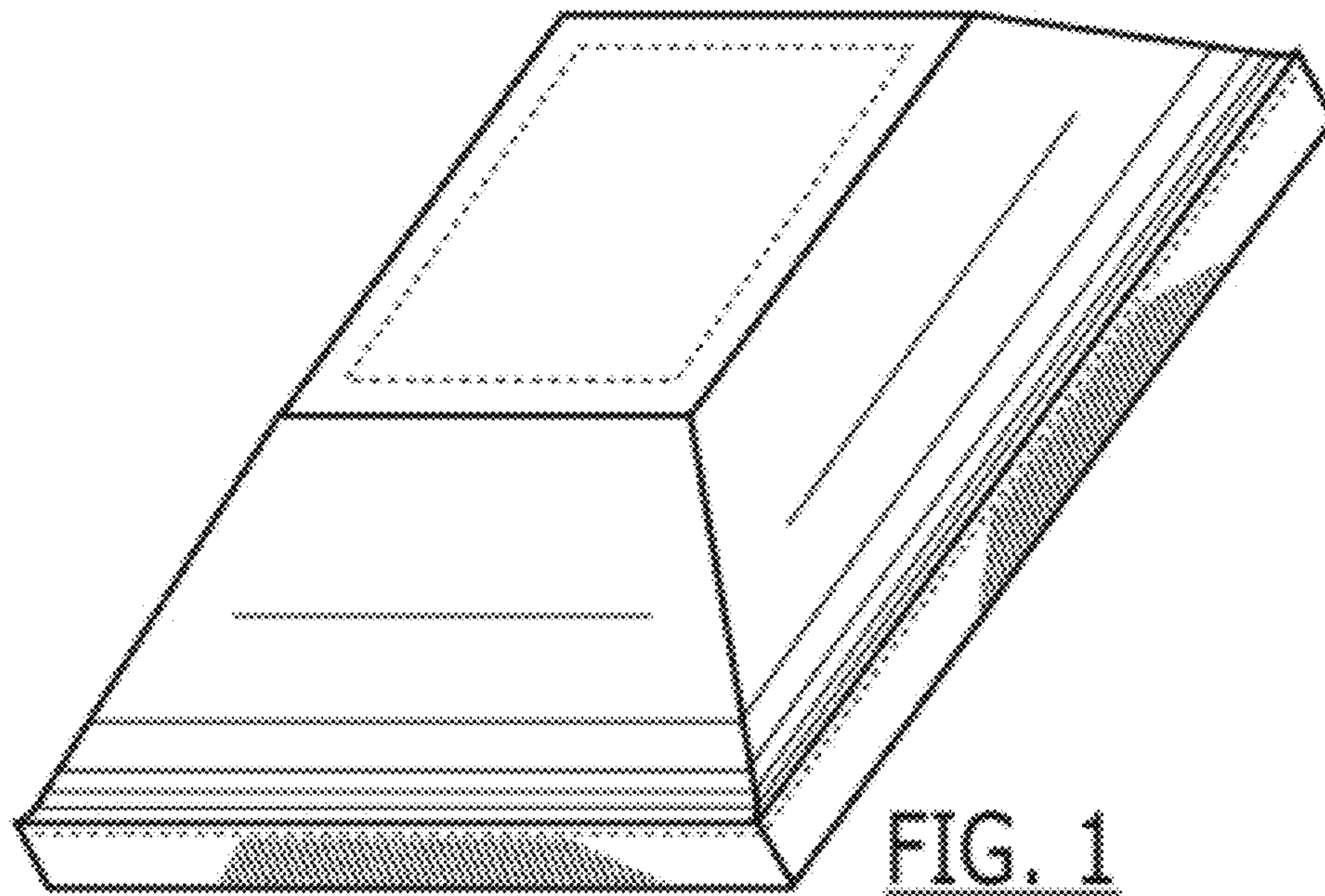
FIG. 7 is bottom view thereof; and,

FIG. 8 is a back view thereof.

The broken lines shown herein are for illustrative purposes only and form no part of the claimed design.

1 Claim, 3 Drawing Sheets





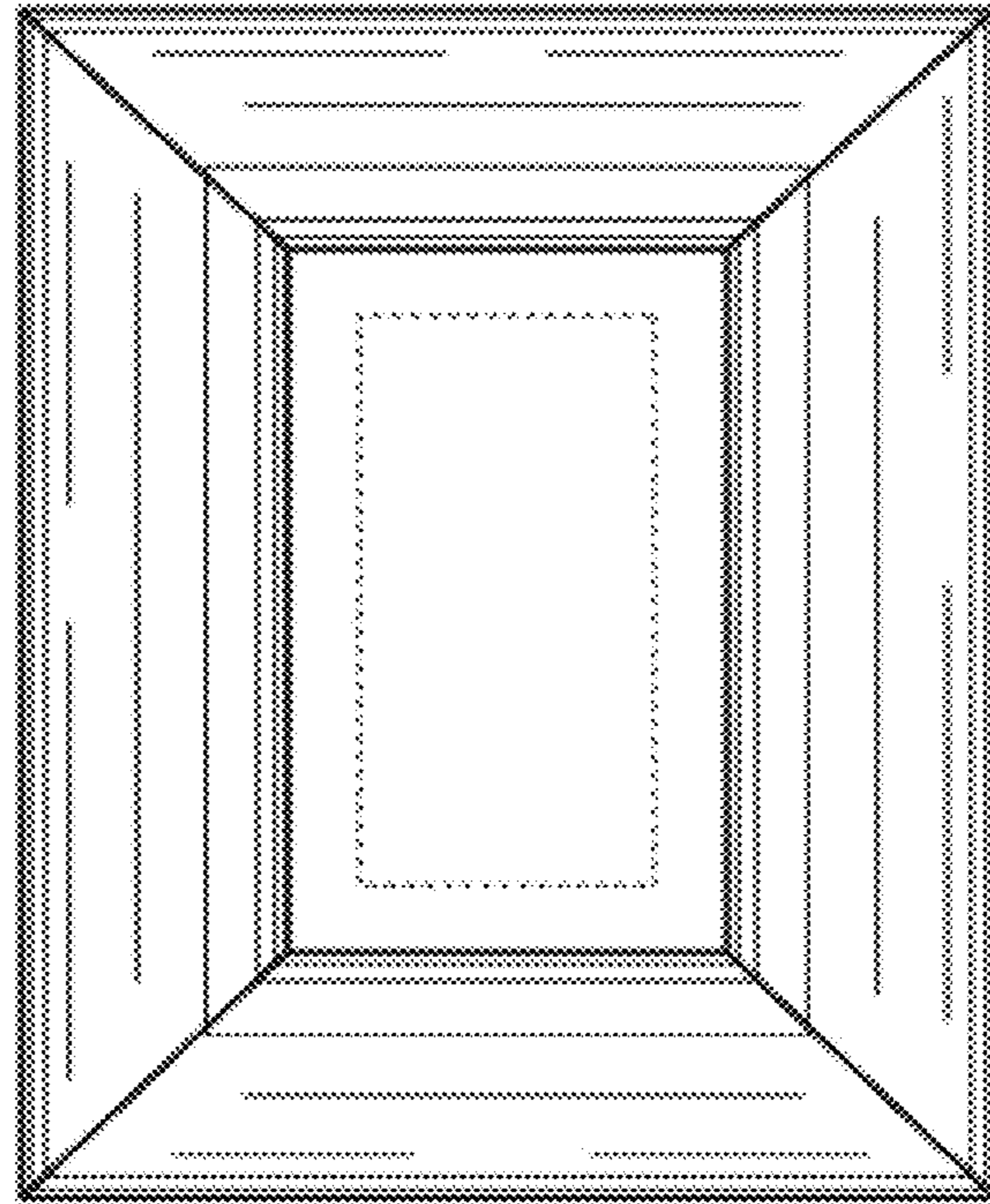


FIG. 3

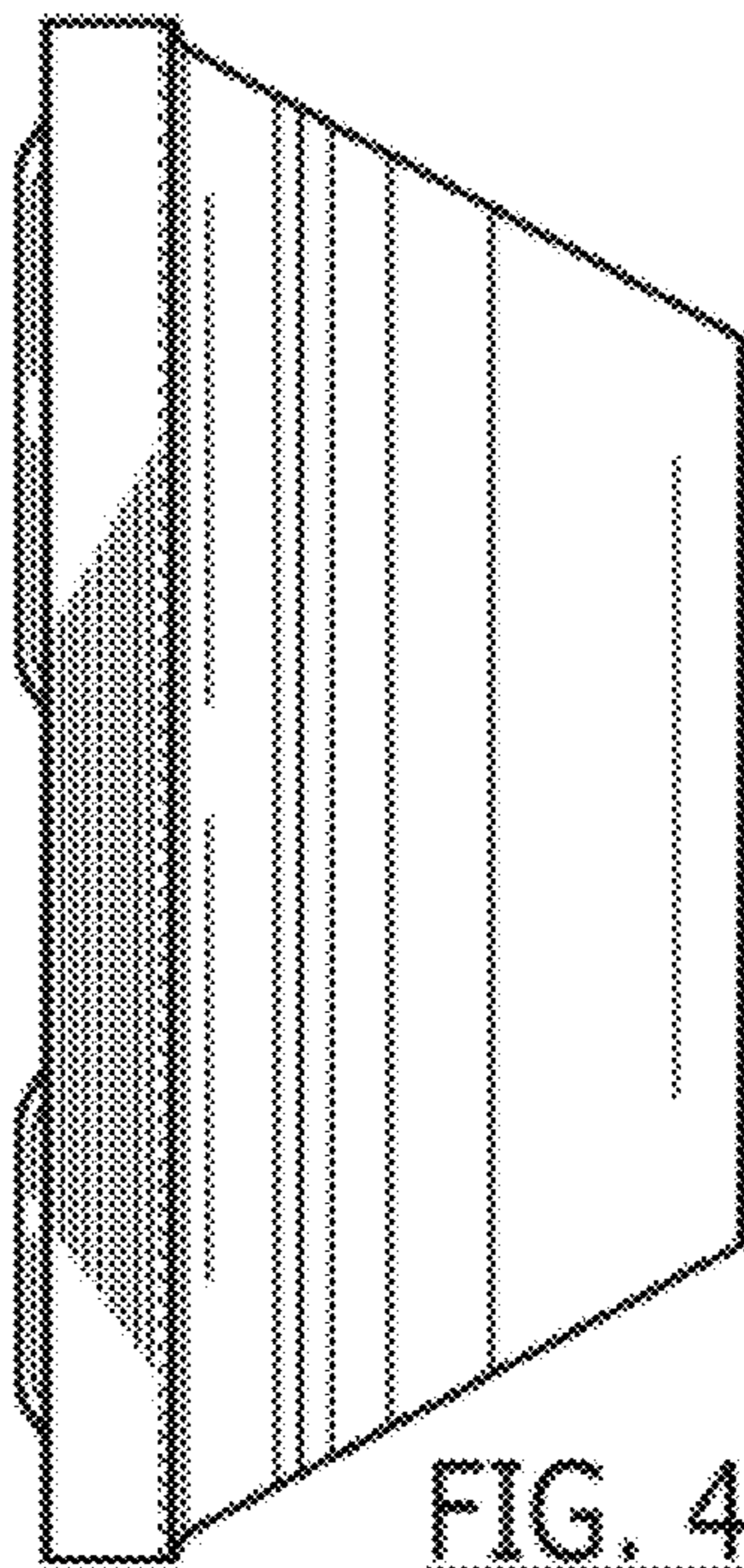


FIG. 4

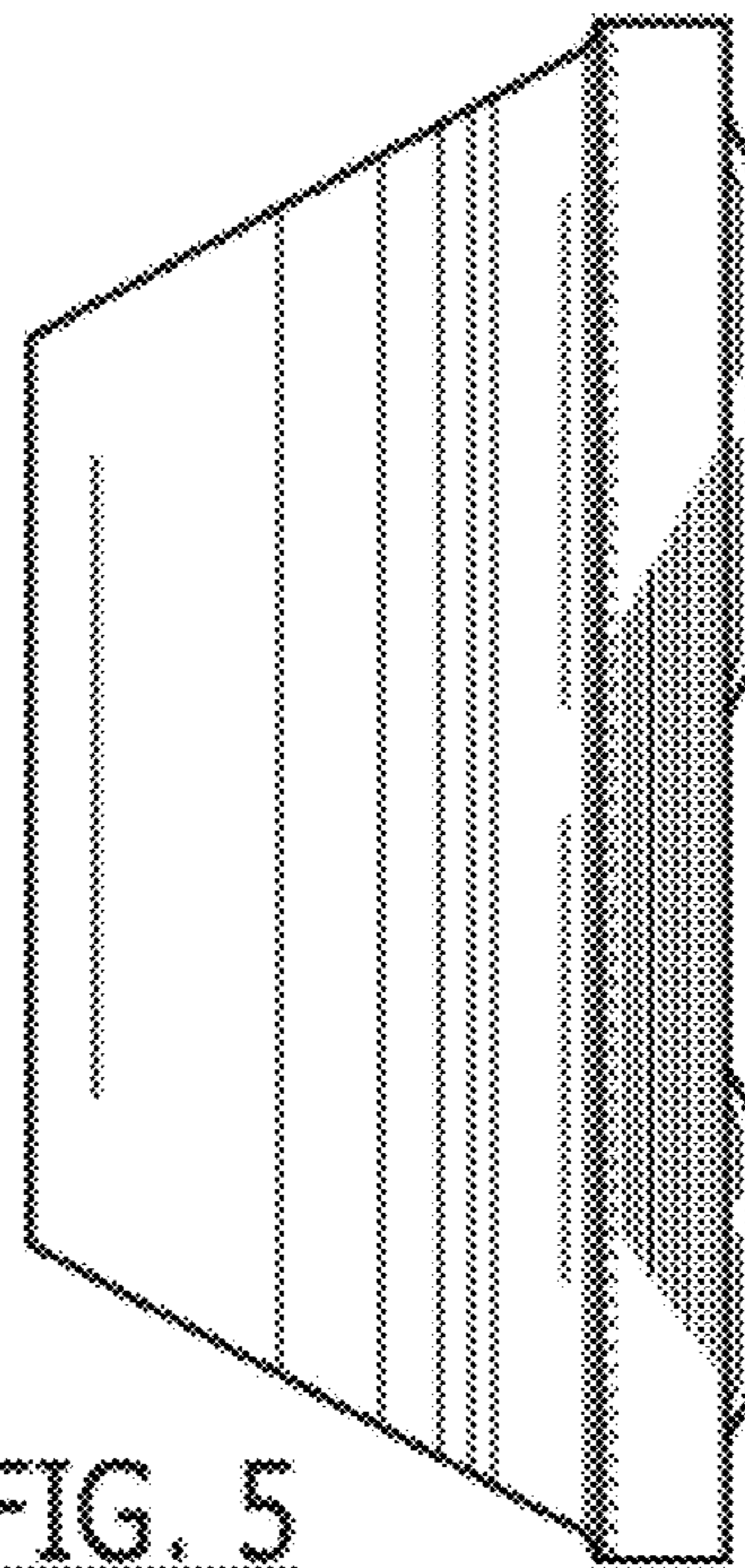


FIG. 5

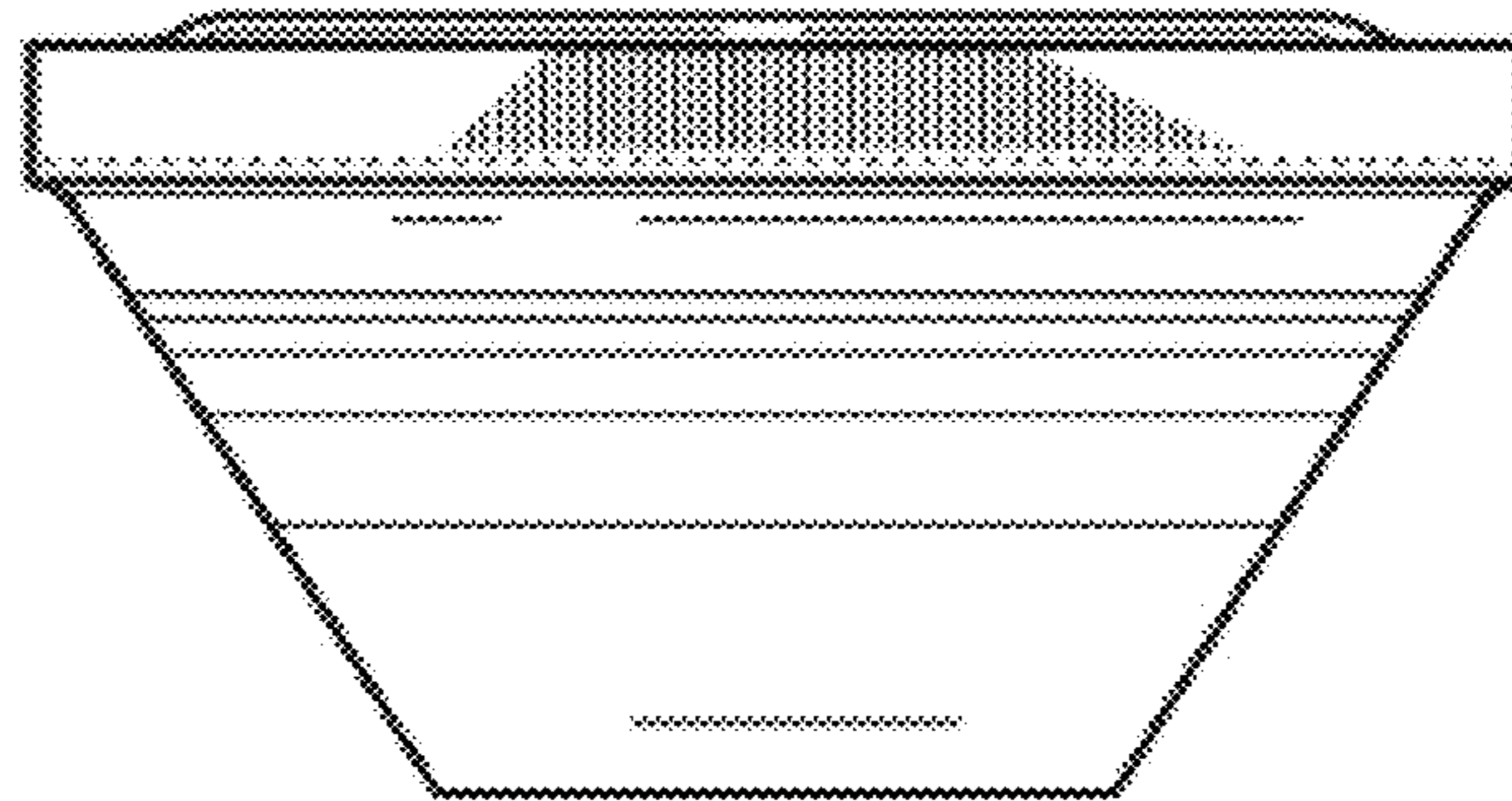


FIG. 6

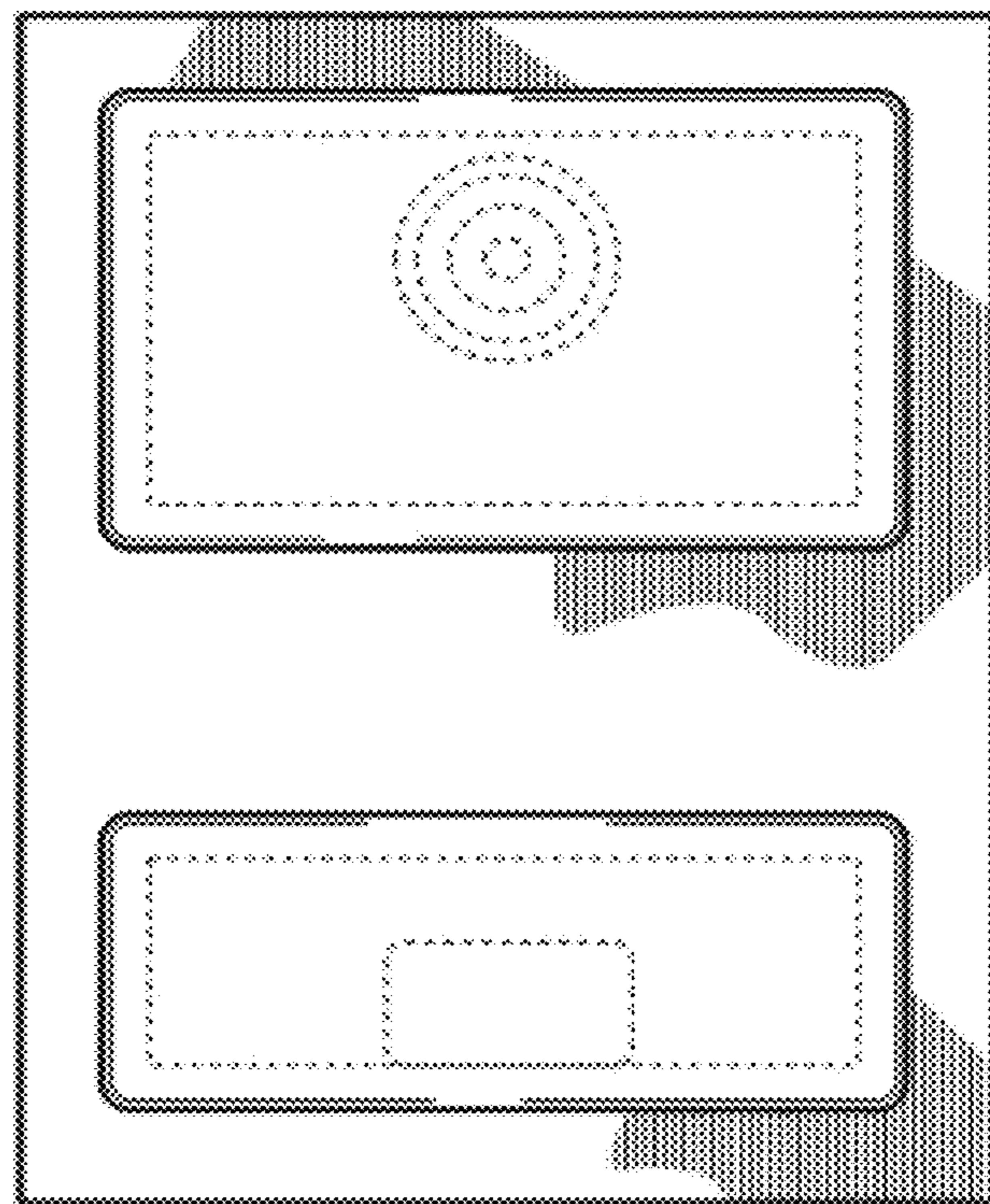


FIG. 7

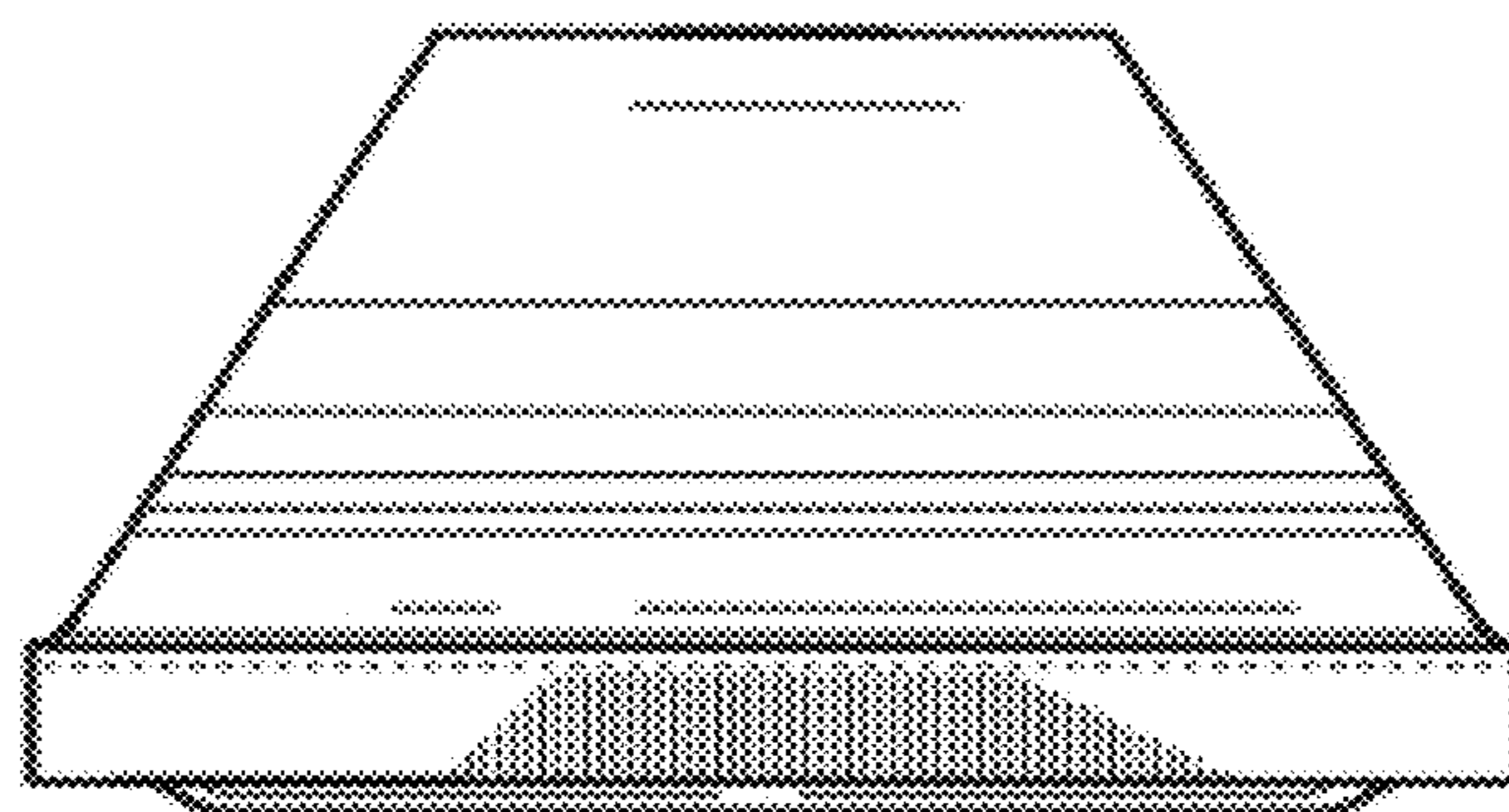


FIG. 8

UNITED STATES PATENT AND TRADEMARK OFFICE
CERTIFICATE OF CORRECTION

PATENT NO. : D672,731 S
APPLICATION NO. : 29/383906
DATED : December 18, 2012
INVENTOR(S) : Bergmann et al.

Page 1 of 1

It is certified that error appears in the above-identified patent and that said Letters Patent is hereby corrected as shown below:

On Title Page:

Item (73) Assignee: Please correct “**Cree, Inc.**, Druham, NC (US)”
to read -- **Cree, Inc.**, Durham, NC (US) --

In the DESCRIPTION:

Line 8: Please replace “and,” to read -- and --

Signed and Sealed this
Eighteenth Day of June, 2013



Teresa Stanek Rea
Acting Director of the United States Patent and Trademark Office