



US00D672727S

(12) **United States Design Patent**  
**McCullar et al.**

(10) **Patent No.:** **US D672,727 S**  
(45) **Date of Patent:** **\*\* Dec. 18, 2012**

(54) **CONTROLLER**

(75) Inventors: **Ricky J. McCullar**, Olmsted Township, OH (US); **Kristie L. Jarrett**, Wakeman, OH (US); **Michael Sedlak**, Westlake, OH (US); **Brian W. Huml**, Medina, OH (US); **Daniel M. Hulse**, North Olmsted, OH (US); **Michael Romano**, Lakewood, OH (US)

(73) Assignee: **Invacare Corporation**, Elyria, OH (US)

(\*\*) Term: **14 Years**

(21) Appl. No.: **29/365,490**

(22) Filed: **Jul. 9, 2010**

(51) **LOC (9) Cl.** ..... **14-03**

(52) **U.S. Cl.** ..... **D13/168**

(58) **Field of Classification Search** ..... D13/168;  
D10/104.1, 106.1; D14/218; D24/200, 215;  
318/16; 340/4.3, 4.42, 12.22, 12.23, 12.24,  
340/12.29, 12.3, 13.2, 13.21, 13.24; 341/176;  
601/1, 72; 700/17, 65, 83

See application file for complete search history.

(56) **References Cited**

**U.S. PATENT DOCUMENTS**

3,778,769	A	12/1973	Hong et al.
3,781,927	A	1/1974	Zakaras
3,913,153	A	10/1975	Adams et al.
3,921,048	A	11/1975	Padgitt
4,044,286	A	8/1977	Adams et al.
4,325,061	A	4/1982	Wolar
4,403,214	A	9/1983	Wolar
4,833,377	A	5/1989	Volk, Sr. et al.
5,134,731	A	8/1992	Quintile et al.
5,138,953	A	8/1992	Horcher et al.

(Continued)

**FOREIGN PATENT DOCUMENTS**

JP 61115508 6/1986  
(Continued)

**OTHER PUBLICATIONS**

Invacare Corporation, Parts Catalog for Homecare Beds (Manual, Semi-Electric, Full Electric), CareGuard by Invacare Bariatric Bed (Full Electric) issued Feb. 11, 2010, 76 pgs.

(Continued)

*Primary Examiner* — Selina Sikder

(74) *Attorney, Agent, or Firm* — Calfee, Halter & Griswold LLP

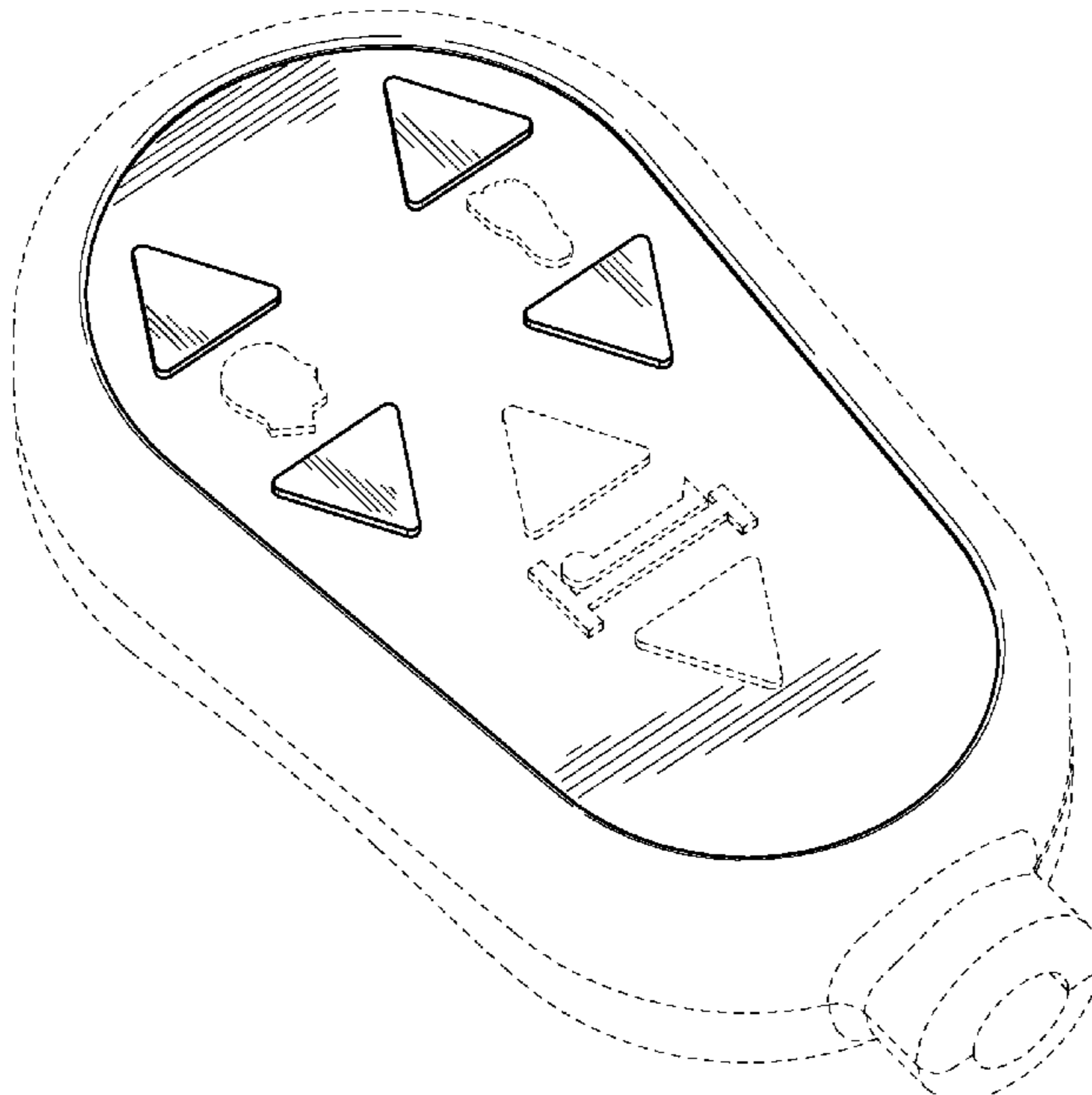
(57) **CLAIM**

The ornamental design for a controller, as shown and described.

**DESCRIPTION**

FIG. 1 is a top perspective view of a controller;  
FIG. 2 is a bottom perspective view of the embodiment of FIG. 1;  
FIG. 3 is a top plan view of the embodiment of FIG. 1;  
FIG. 4 is a bottom plan view of the embodiment of FIG. 1;  
FIG. 5 is a right side elevational view of the embodiment of FIG. 1, for which the left side elevational view would be a mirror image thereof;  
FIG. 6 is a front elevational view of the embodiment of FIG. 1; and,  
FIG. 7 is a rear elevational view of the embodiment of FIG. 1.  
The broken lines shown in the drawings are for illustrative purposes only and form no part of the claimed design. The surface shading illustrated in the drawings is provided merely to highlight the contour of the design and is not intended to be illustrative texture or gloss.

**1 Claim, 3 Drawing Sheets**



# US D672,727 S

Page 2

## U.S. PATENT DOCUMENTS

5,398,149 A 3/1995 Weil  
D362,660 S \* 9/1995 Fromson ..... D13/168  
D381,662 S \* 7/1997 Weissberg et al. .... D14/218  
5,704,249 A 1/1998 Krauska  
5,802,639 A 9/1998 Raasch et al.  
D435,580 S \* 12/2000 Grinkus ..... D17/99  
D441,185 S \* 5/2001 Shimizu et al. .... D3/207  
D475,026 S \* 5/2003 Buczek et al. .... D13/168  
D483,281 S \* 12/2003 Cobigo ..... D10/104.1  
D513,236 S \* 12/2005 Hunt et al. .... D13/168  
6,983,495 B2 1/2006 Snyder et al.  
6,997,082 B2 2/2006 Snyder et al.  
7,040,637 B2 5/2006 Owens  
D527,666 S \* 9/2006 Tal et al. .... D10/106.6  
7,185,377 B2 3/2007 Roussy  
D548,728 S \* 8/2007 Yoshiyama ..... D14/218  
7,302,716 B2 12/2007 Snyder et al.  
7,441,289 B2 10/2008 Loewenthal  
D593,527 S \* 6/2009 Wang et al. .... D14/138 G

D595,668 S \* 7/2009 Lasky et al. .... D13/168  
D622,685 S \* 8/2010 Garra et al. .... D14/137  
D649,532 S \* 11/2011 Tran et al. .... D14/218  
2009/0050451 A1 2/2009 Sorensen et al.

## FOREIGN PATENT DOCUMENTS

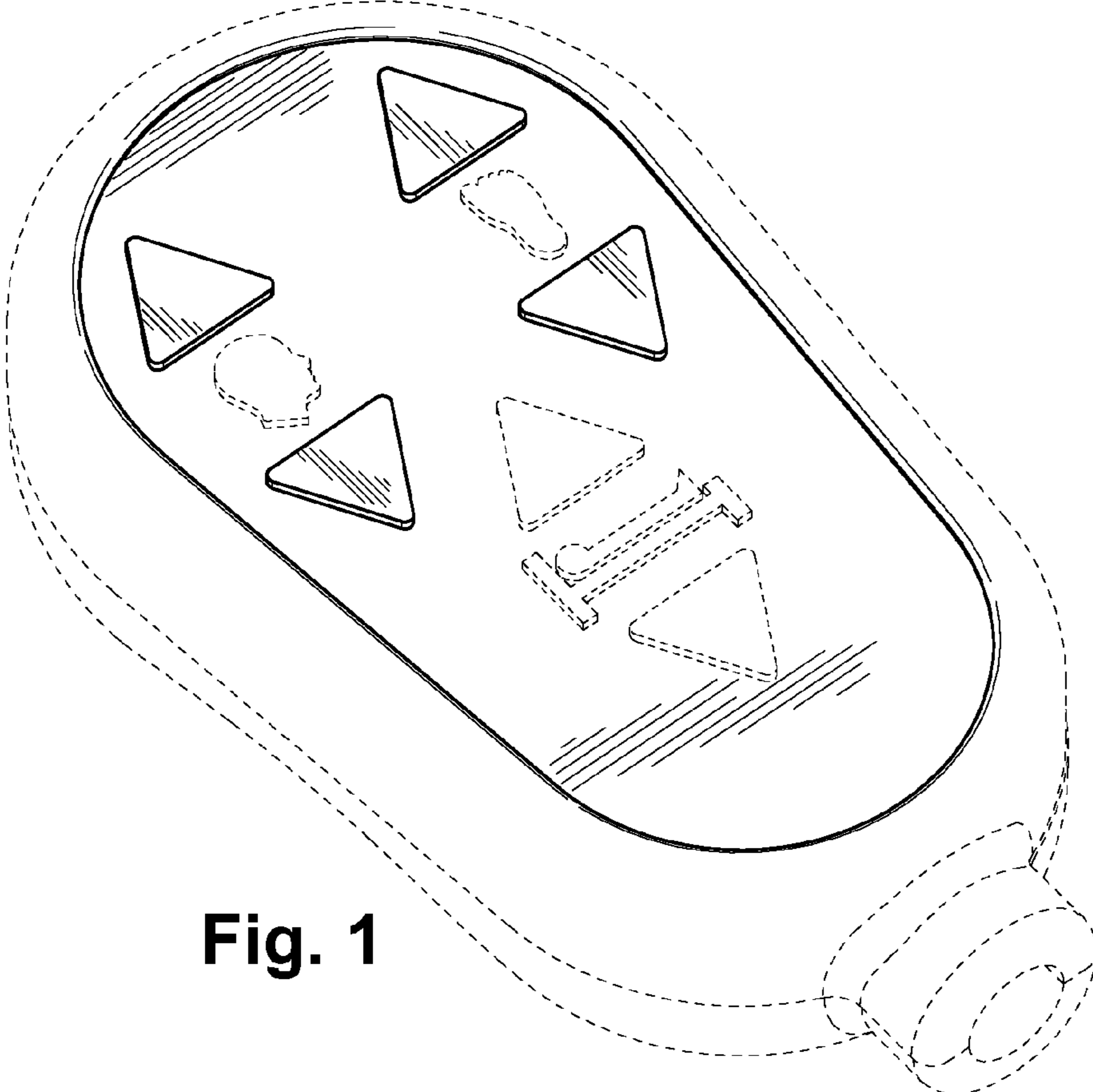
JP 61115509 6/1986  
WO 96/29970 10/1996  
WO 2007/006314 1/2007

## OTHER PUBLICATIONS

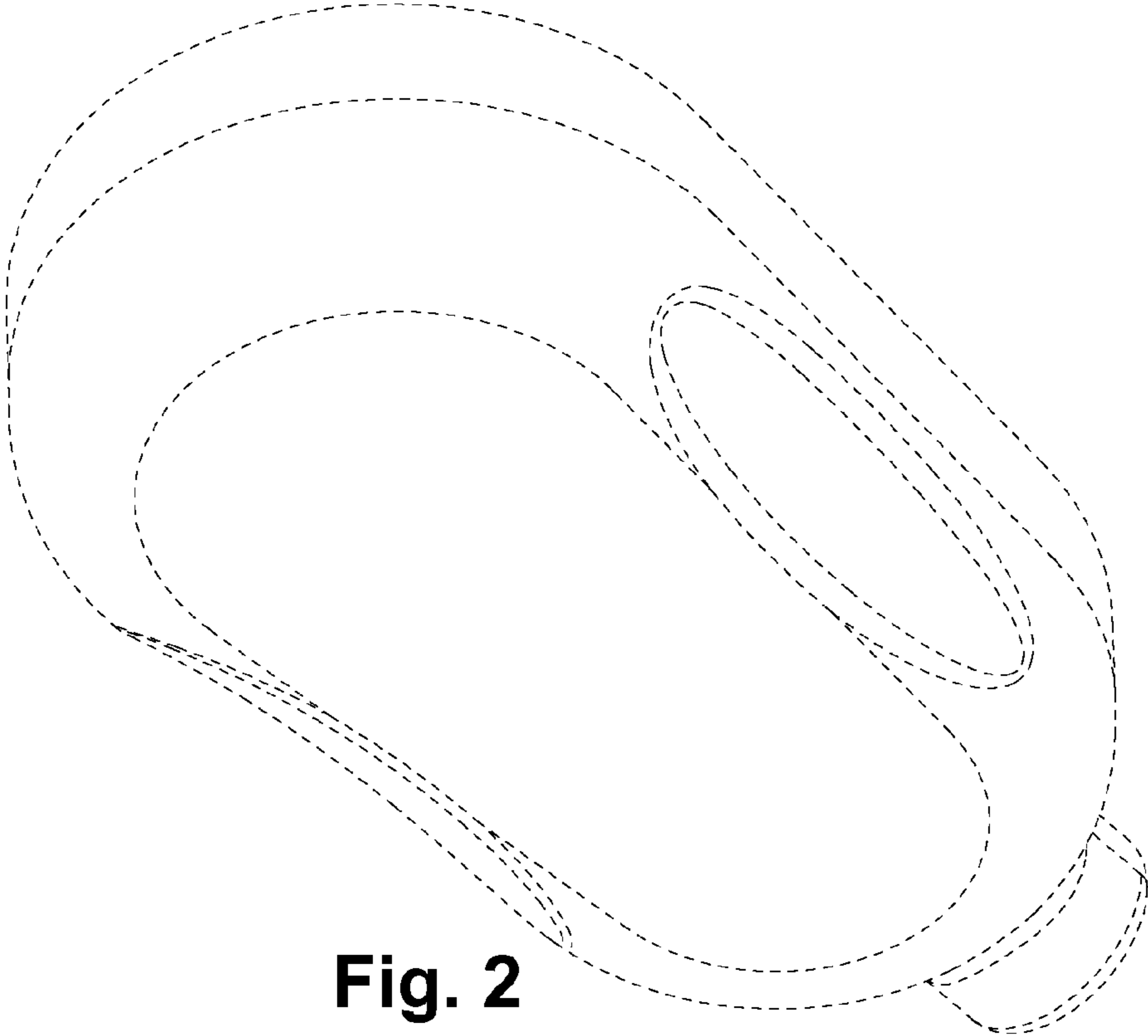
Invacare Corporation, Owner's Operator and Maintenance Manual, IVC Bed Series, Full Electric Beds, Semi-Electric Beds, Manual Beds, Revised Feb. 11, 2009, copyright 2010, 40 pgs.

Invacare Corporation, Invacare Home Care Beds and Bed-Related Products brochure, 12 pgs., copyright 2007.

\* cited by examiner



**Fig. 1**



**Fig. 2**

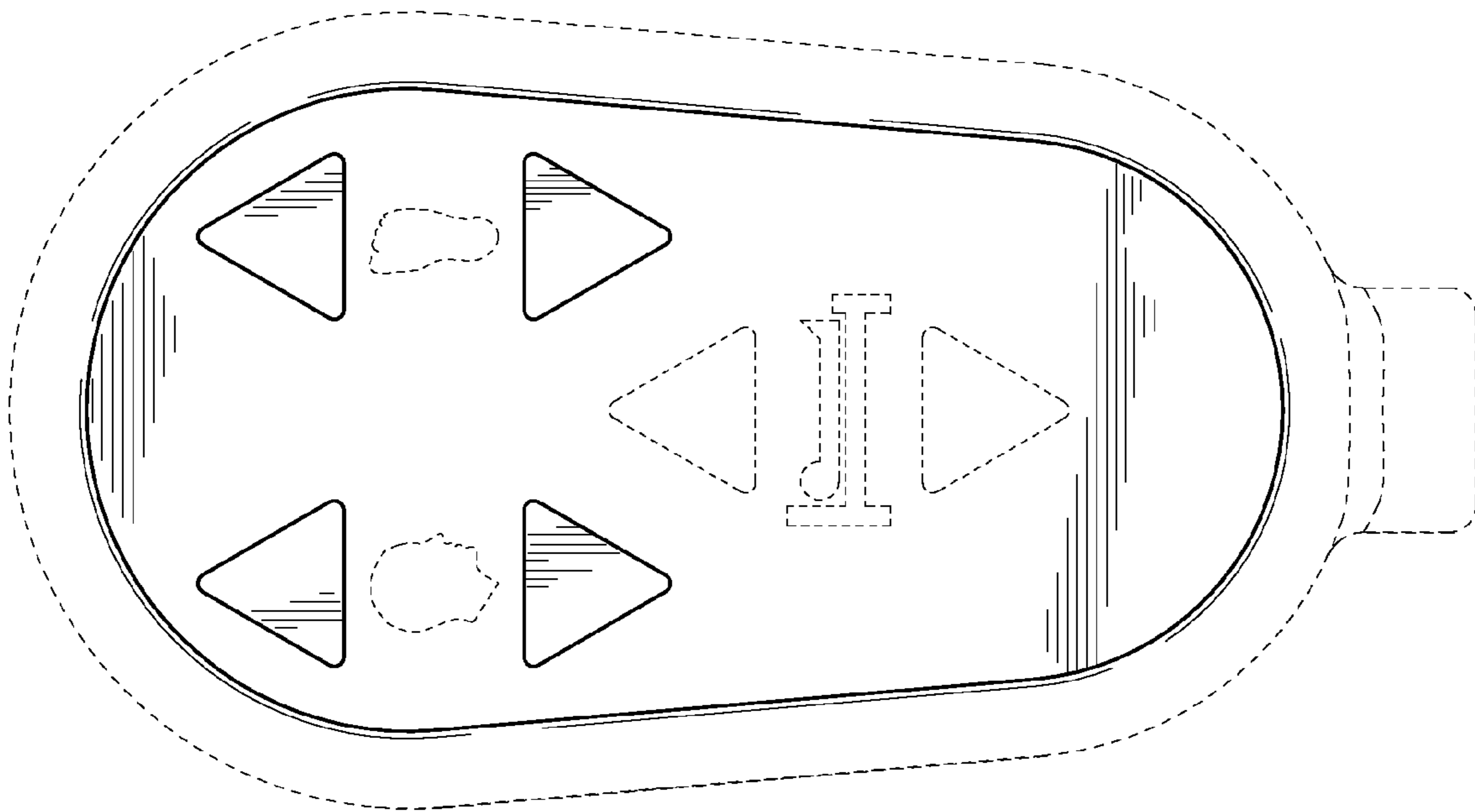


Fig. 3

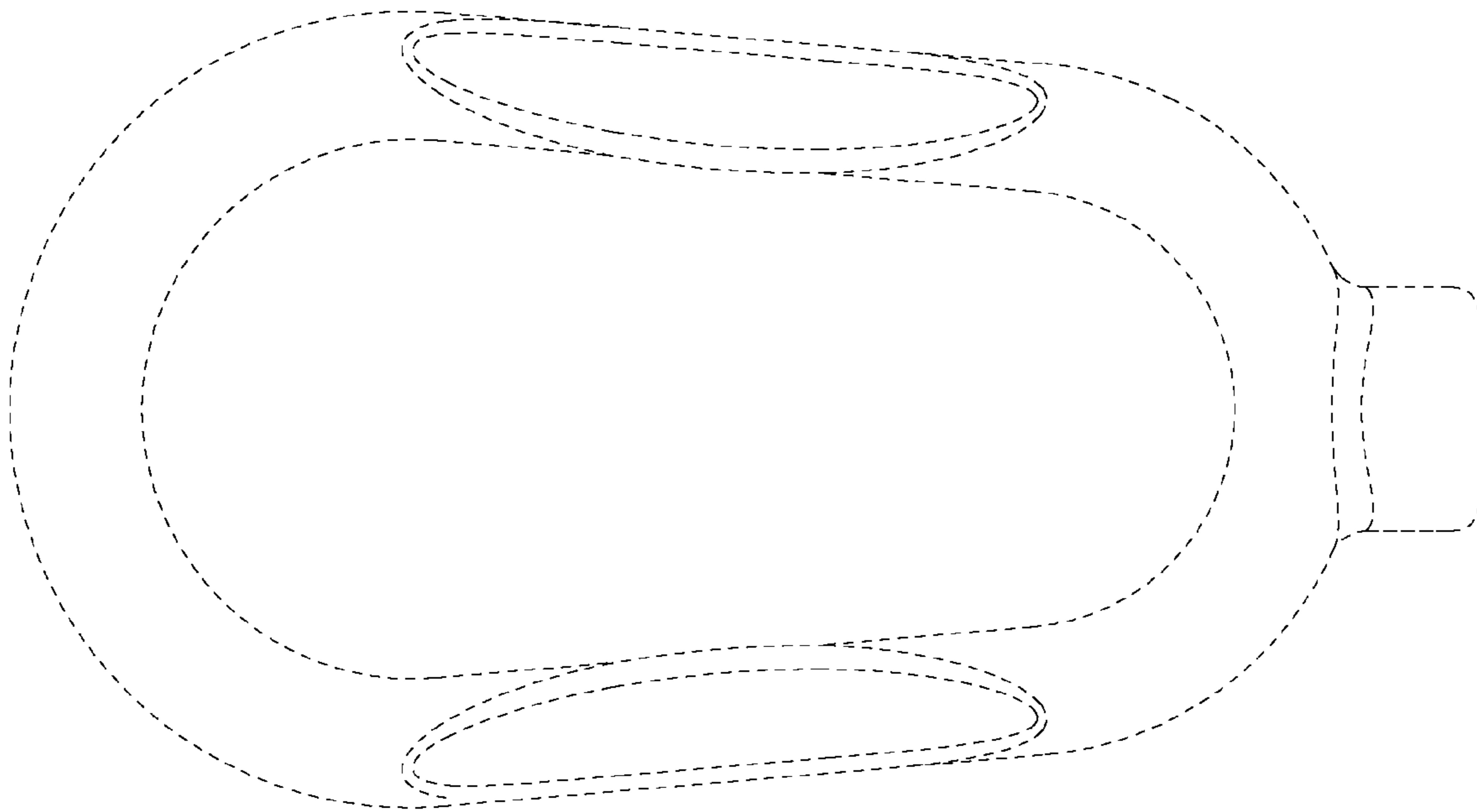
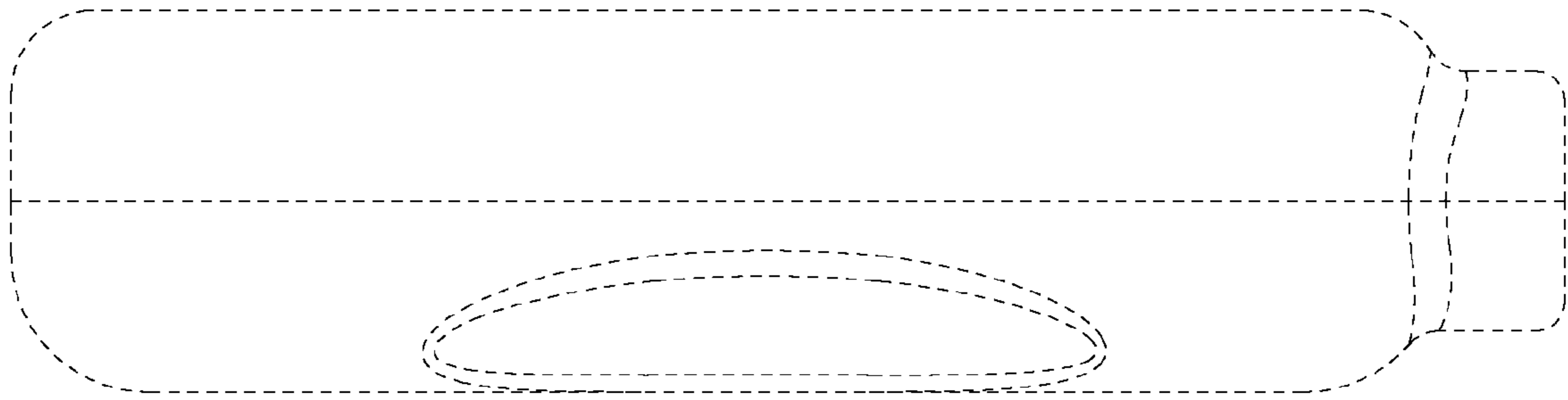
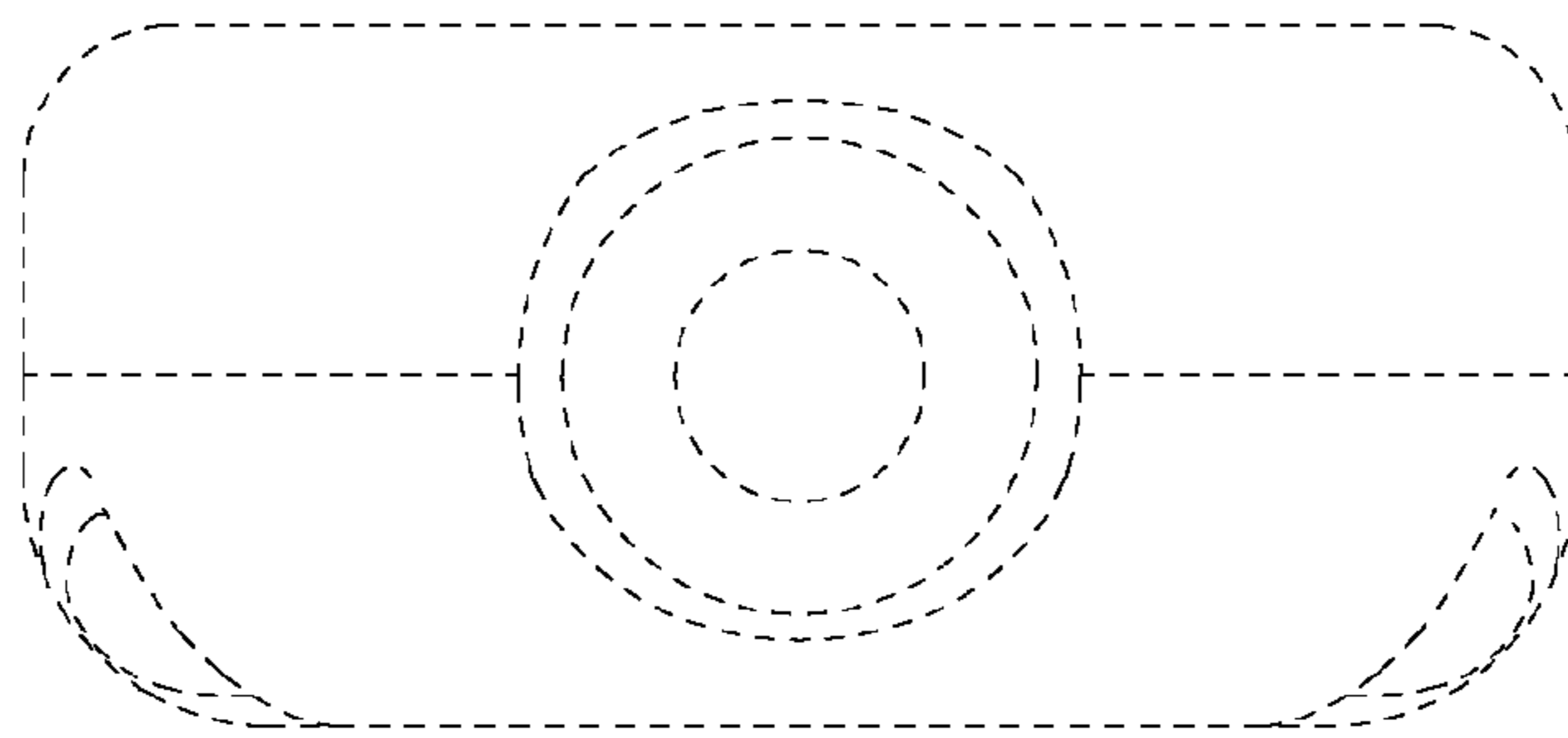


Fig. 4



**Fig. 5**



**Fig. 6**



**Fig. 7**