



US00D672725S

(12) **United States Design Patent**  
**Svelnis et al.**

(10) **Patent No.:** **US D672,725 S**  
(45) **Date of Patent:** **\*\* Dec. 18, 2012**

(54) **MID POWER INLINE PLUG**

(75) Inventors: **Christine M Svelnis**, Boylston, MA  
(US); **Charles L York**, Townsend, MA  
(US)

(73) Assignee: **Anderson Power Products, Inc.**,  
Sterling, MA (US)

(\*\*) Term: **14 Years**

(21) Appl. No.: **29/419,346**

(22) Filed: **Apr. 27, 2012**

(51) **LOC (9) Cl.** ..... **13-03**

(52) **U.S. Cl.** ..... **D13/151**

(58) **Field of Classification Search** ..... D13/151,  
D13/123, 133, 150, 153, 154, 156, 184, 199;  
439/97, 98, 105, 108, 207, 208, 304, 310,  
439/325, 338, 344, 345, 347, 350, 367, 370,  
439/374, 527, 532, 533, 620.15, 894, 901,  
439/903

See application file for complete search history.

(56) **References Cited**

U.S. PATENT DOCUMENTS

6,773,306 B2 \* 8/2004 Plishner ..... 439/620.15  
7,395,166 B2 \* 7/2008 Plishner ..... 702/108

D581,364 S \* 11/2008 Cummings et al. .... D13/151  
D613,246 S \* 4/2010 Muecke et al. .... D13/133  
D627,733 S \* 11/2010 Stutz ..... D13/147  
D636,346 S \* 4/2011 Svelnis et al. .... D13/154  
D662,892 S \* 7/2012 Giefers et al. .... D13/151

\* cited by examiner

*Primary Examiner* — Derrick Holland

(74) *Attorney, Agent, or Firm* — Maine Cernota & Rardin

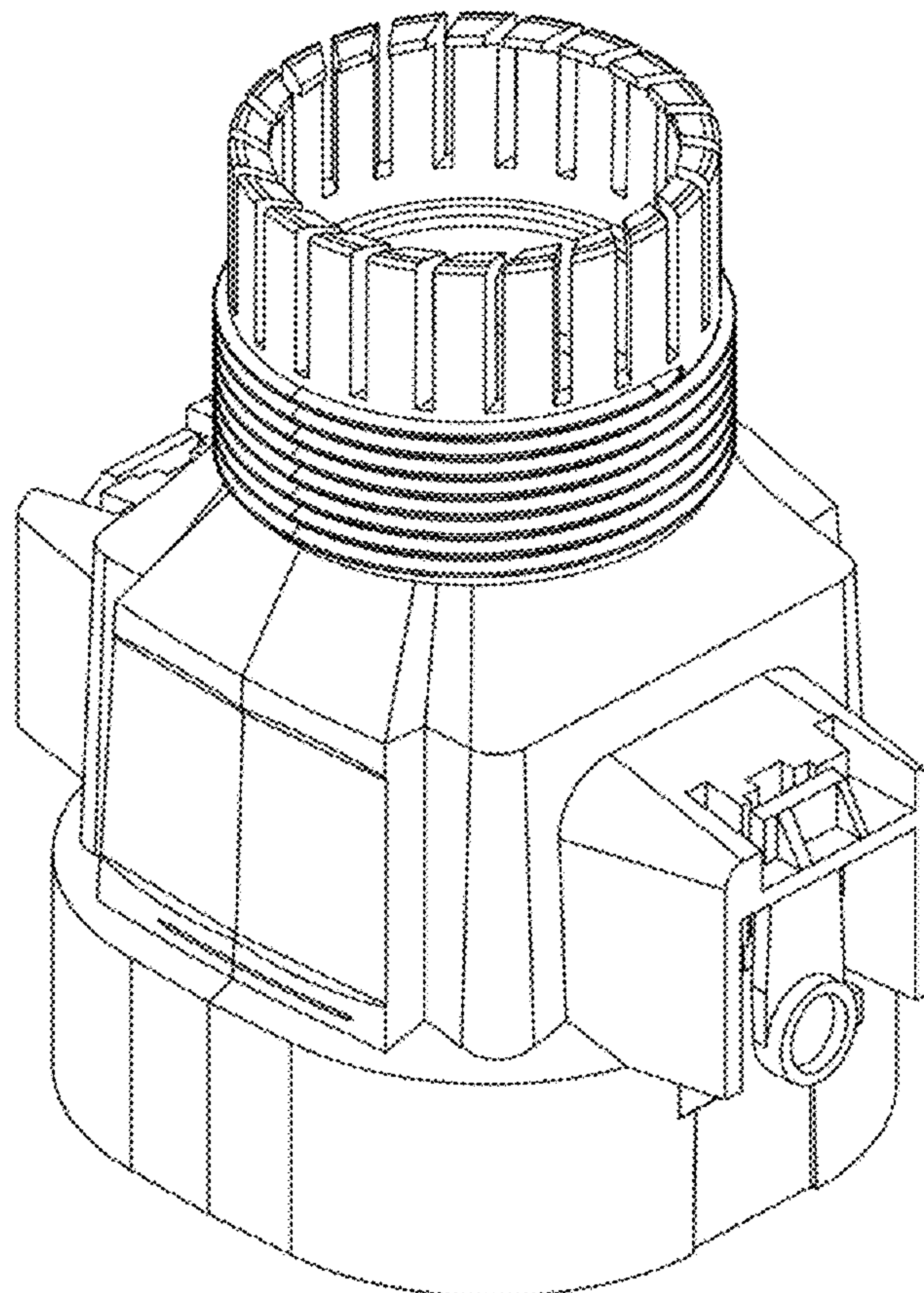
(57) **CLAIM**

The ornamental design for a mid power inline plug, as shown and described.

**DESCRIPTION**

FIG. 1 is a front elevation view of a mid power inline plug, showing our new design;  
FIG. 2 is a right side elevation view thereof;  
FIG. 3 is a left side elevation view thereof;  
FIG. 4 is a top plan view thereof;  
FIG. 5 is a bottom plan view thereof;  
FIG. 6 is a back elevation view thereof;  
FIG. 7 is a front, top and right side perspective view thereof;  
FIG. 8 is a back, bottom and left side perspective view thereof; and,  
FIG. 9 is a cross sectional view taken along line 9-9 of FIG. 4.

**1 Claim, 9 Drawing Sheets**



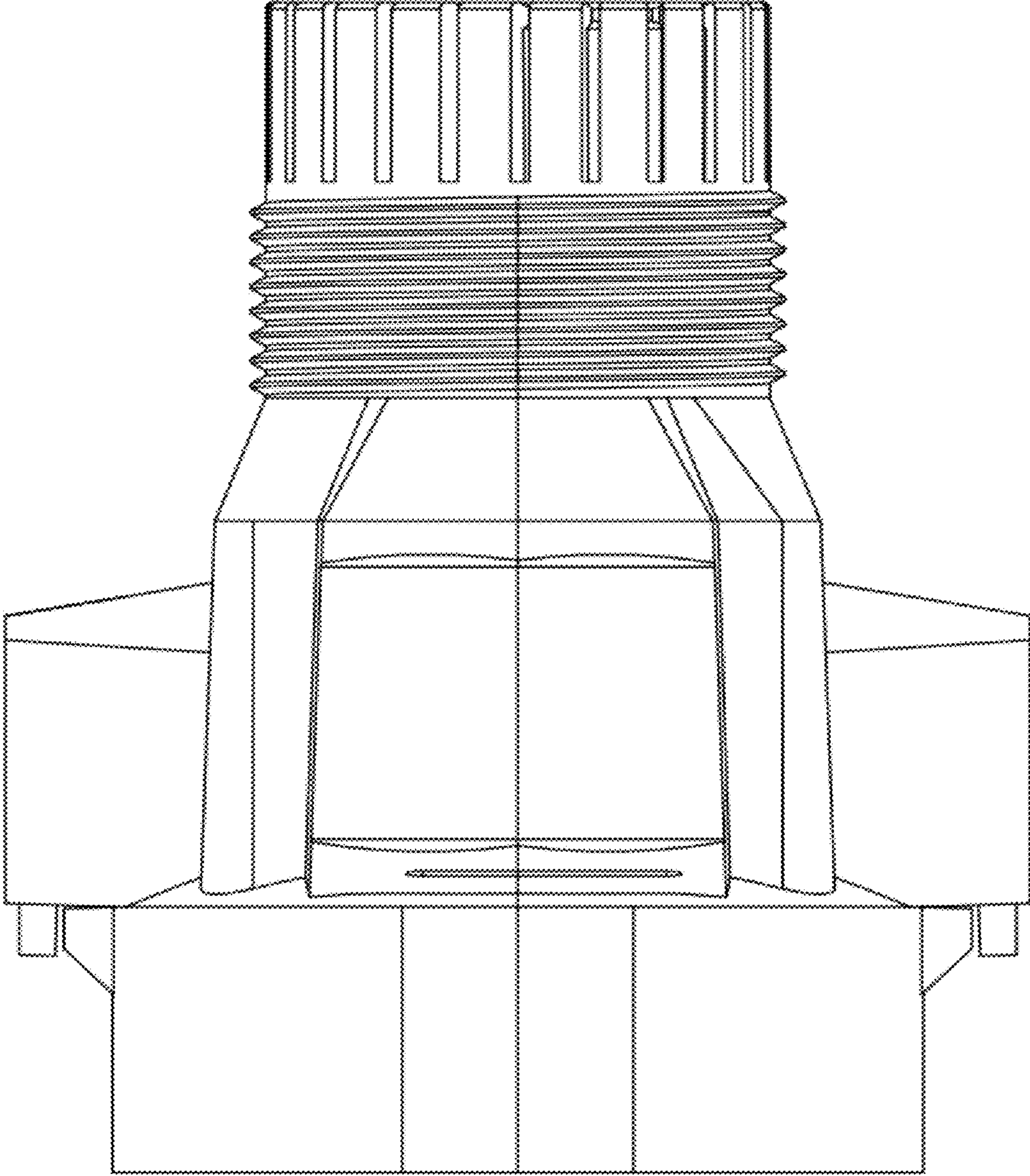


FIG. 1



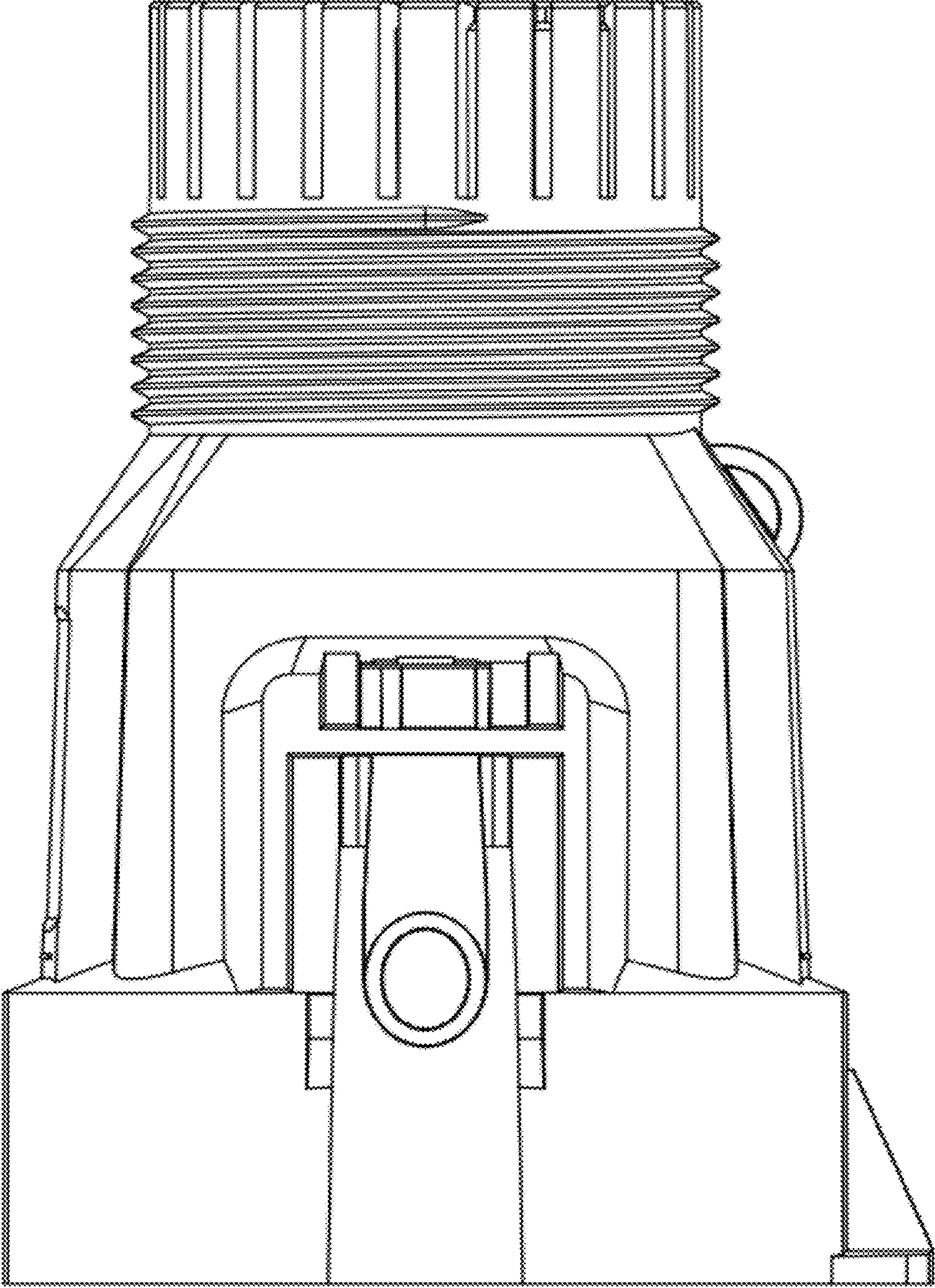


FIG. 2

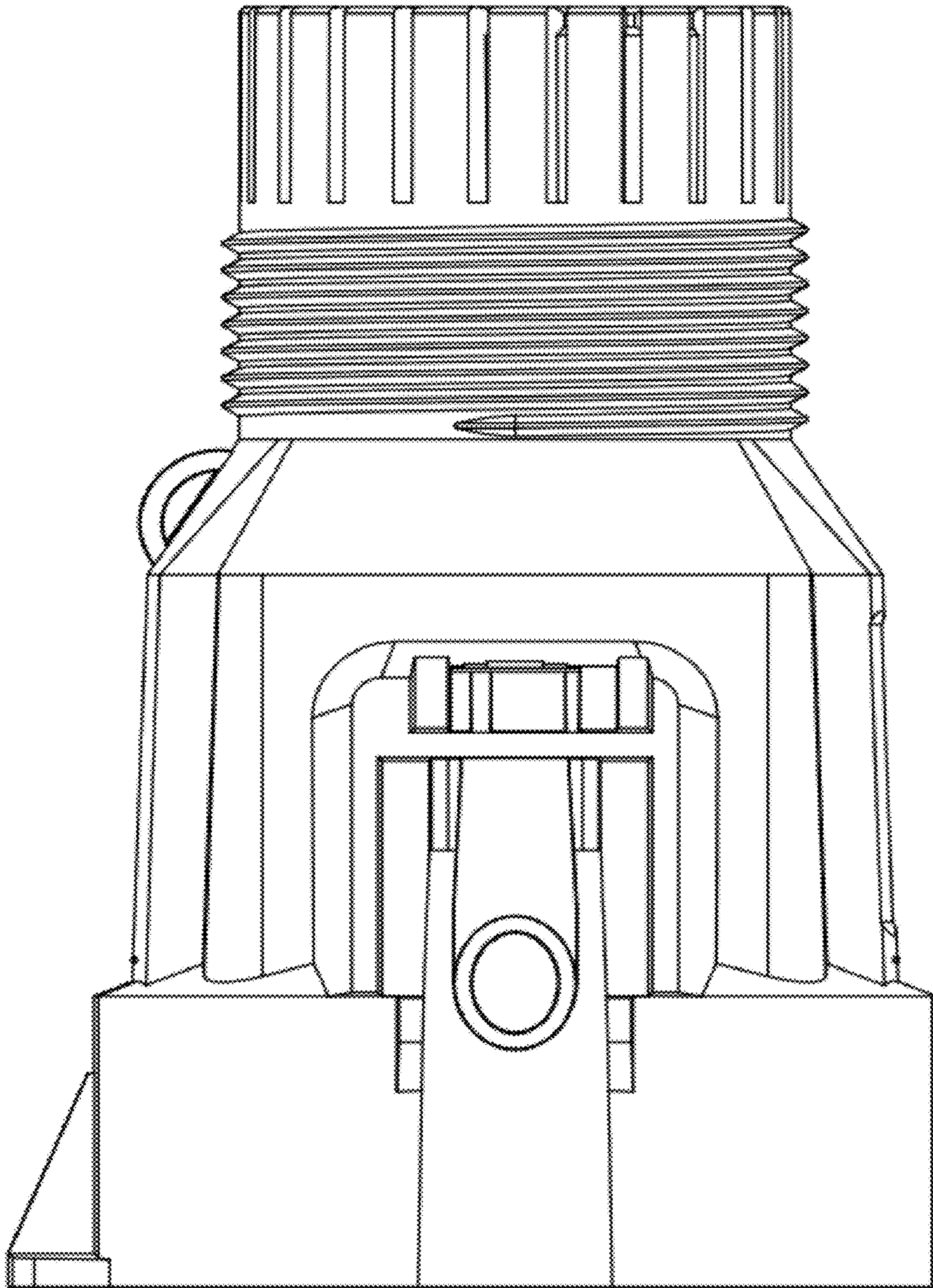


FIG. 3



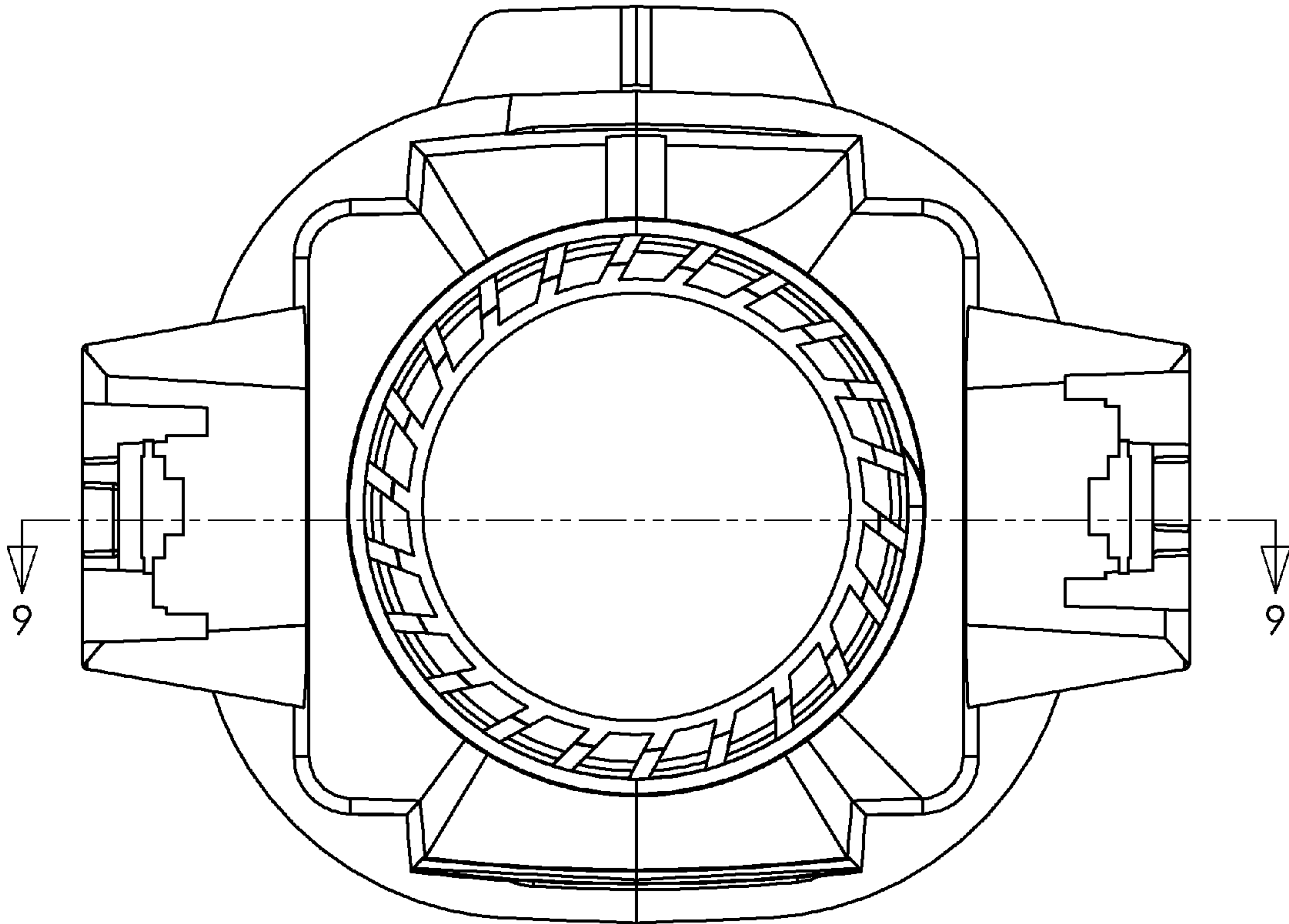


FIG. 4

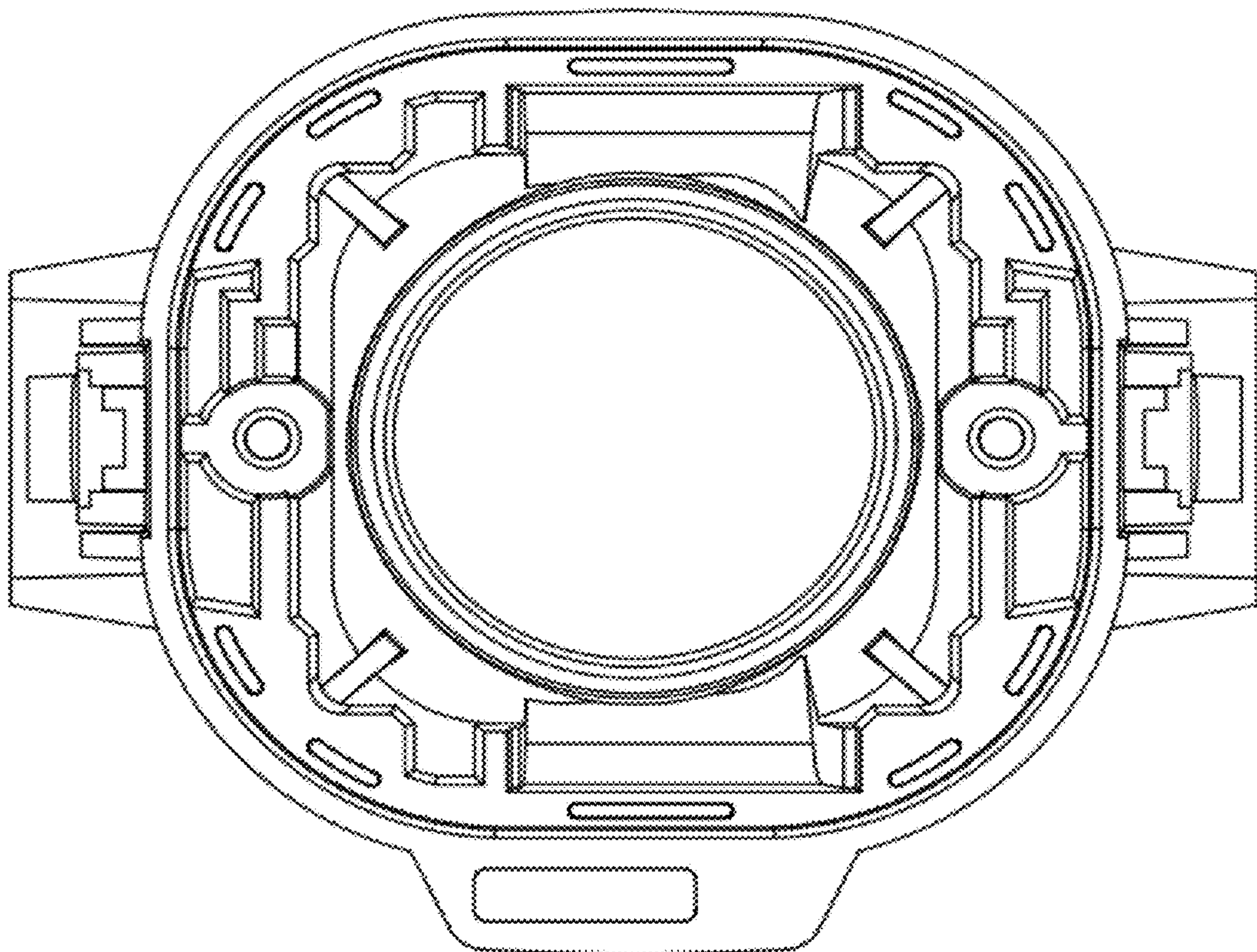


FIG. 5

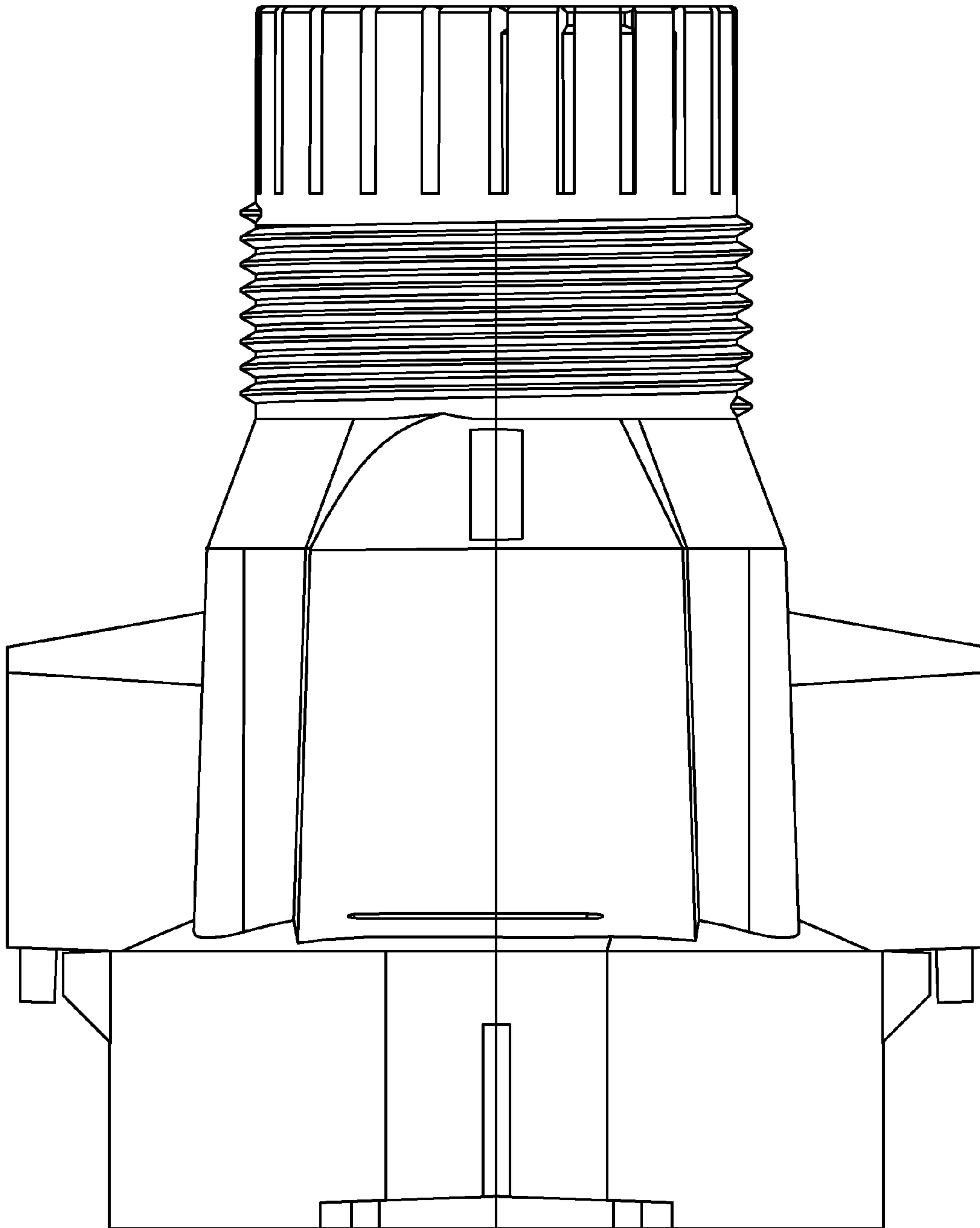


FIG. 6



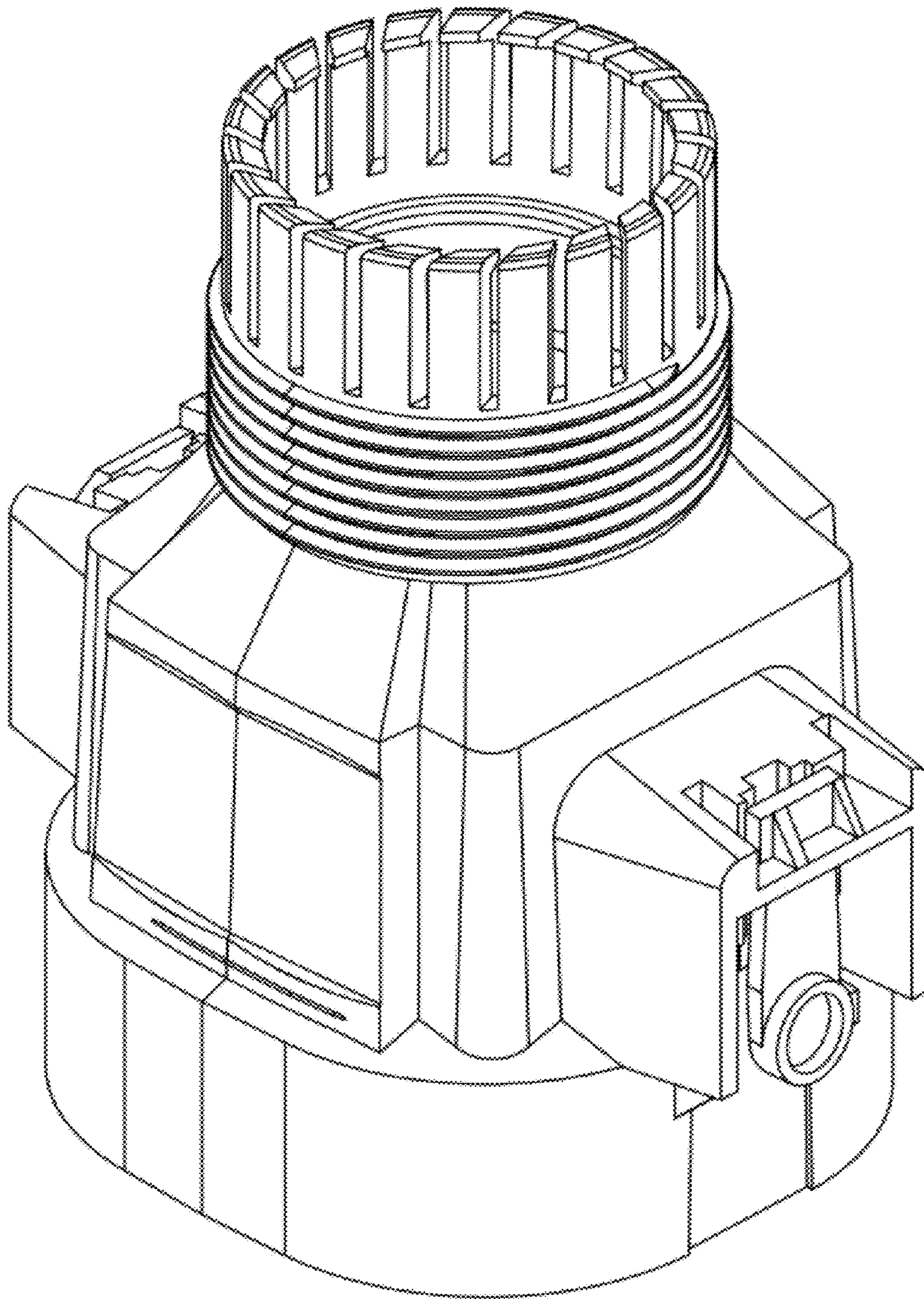


FIG. 7



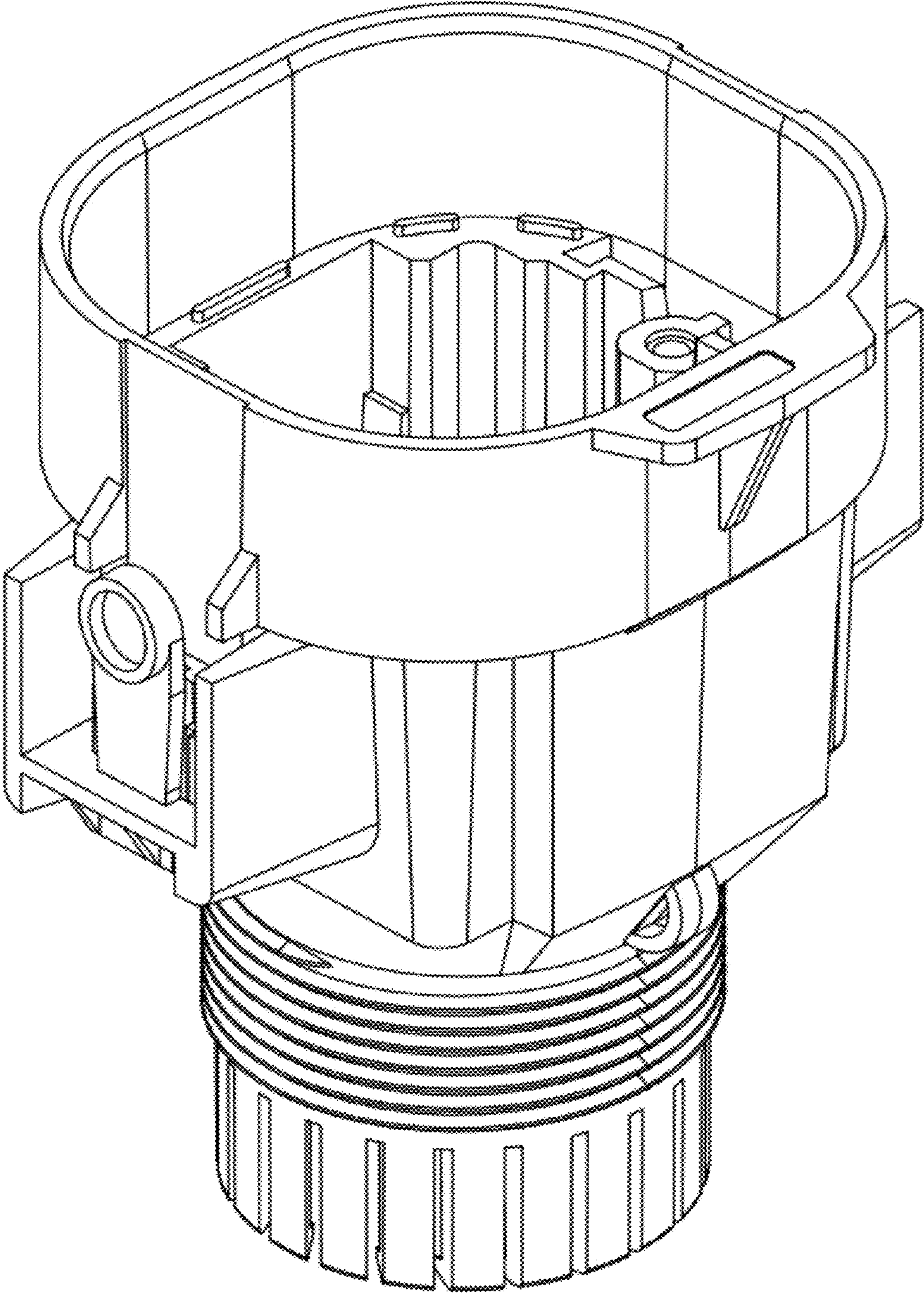


FIG. 8

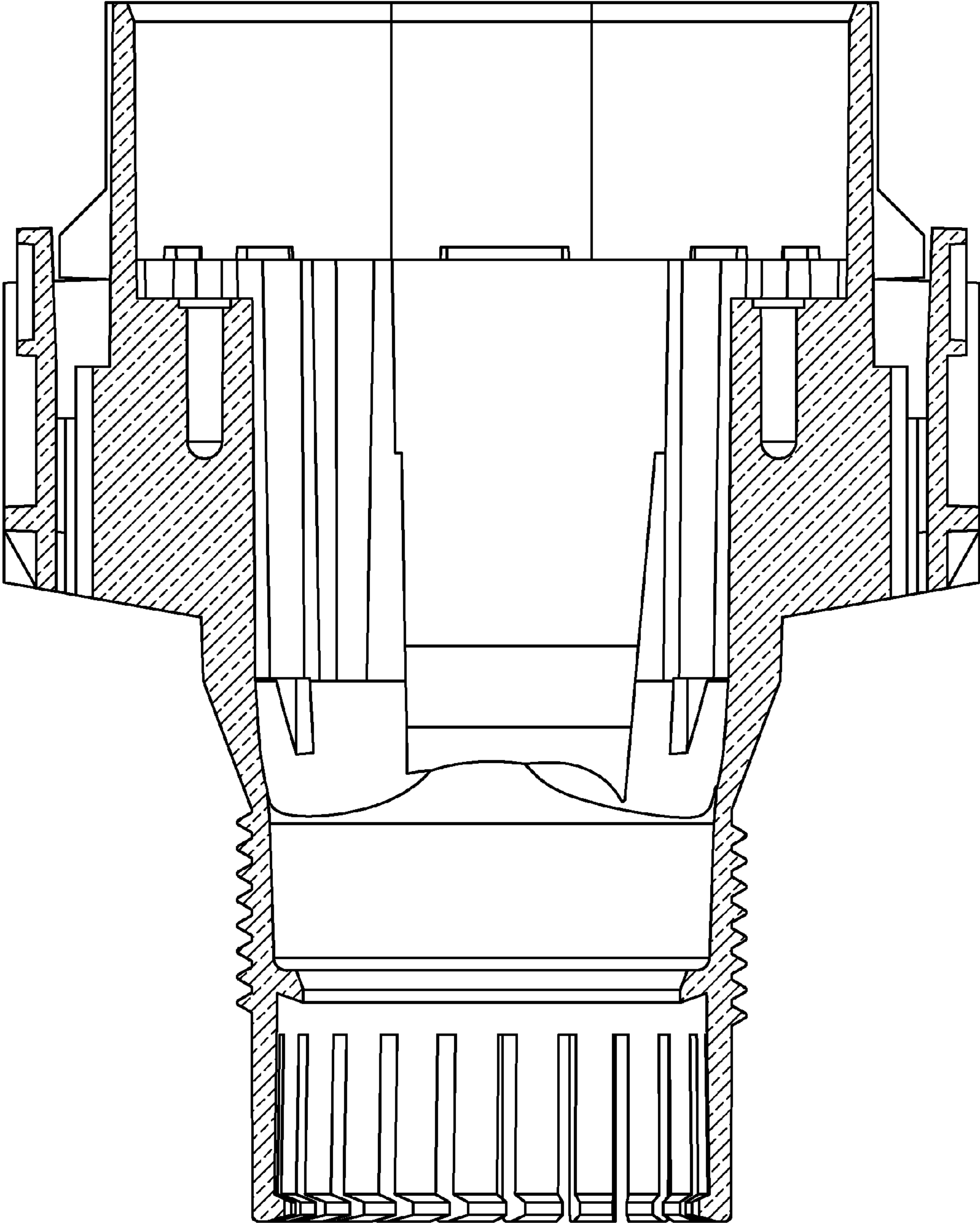


FIGURE 9