



US00D672724S

(12) **United States Design Patent**
Kajiura et al.

(10) **Patent No.:** **US D672,724 S**
(45) **Date of Patent:** **** Dec. 18, 2012**

- (54) **HOUSING FOR ELECTRICAL CONNECTOR**
- (75) Inventors: **Motomu Kajiura**, Tokyo (JP);
Yasutoshi Kameda, Kisarazu (JP);
Jeffery Garvais, Beaverton, OR (US)
- (73) Assignees: **FCI**, Guyancourt (FR); **FCI Americas Technology LLC**, Carson City, NV (US)
- (**) Term: **14 Years**
- (21) Appl. No.: **29/393,268**
- (22) Filed: **Jun. 1, 2011**
- (51) **LOC (9) Cl.** **13-03**
- (52) **U.S. Cl.** **D13/147**
- (58) **Field of Classification Search** D13/120,
D13/146, 147, 154, 184, 199; 439/180, 246,
439/278, 357, 358, 374, 527, 529, 533, 607.1,
439/607.22, 607.23, 607.31, 607.32, 607.33,
439/607.34, 607.53, 680, 839, 849–850,
439/852, 862, 870, 877, 884–885, 887–891
See application file for complete search history.

- D528,985 S * 9/2006 Peng D13/147
 - D529,443 S 10/2006 Chien
 - D530,679 S * 10/2006 Li et al. D13/149
 - D538,228 S 3/2007 Wang et al.
 - D555,093 S 11/2007 Chien et al.
- (Continued)

OTHER PUBLICATIONS

U.S. Appl. No. 29/369,327, filed Sep. 7, 2010, De Bruijn et al.
(Continued)

Primary Examiner — Daniel Bui
(74) *Attorney, Agent, or Firm* — Woodcock Washburn LLP

(57) **CLAIM**
The ornamental design for a housing for electrical connector, as shown and described.

DESCRIPTION

The present application is related by subject matter to design patent applications entitled “Electrical Connector” filed on even date herewith under U.S. Design application Ser. No. 29/393,276, pending, and “Electrical Connector” filed on even date herewith under U.S. Design application Ser. No. 29/393,280, pending.

FIG. 1 is a top, right, front perspective view of a housing for electrical connector according to my design;
FIG. 2 is a bottom, left, rear perspective view thereof;
FIG. 3 is a front elevation view thereof;
FIG. 4 is a rear elevation view thereof;
FIG. 5 is a left side elevation view thereof;
FIG. 6 is a right side elevation view thereof;
FIG. 7 is a top plan view thereof; and,
FIG. 8 is a bottom plan view thereof.

The broken line portion of the figure drawings is included to show unclaimed subject matter only and forms no part of the claimed design.

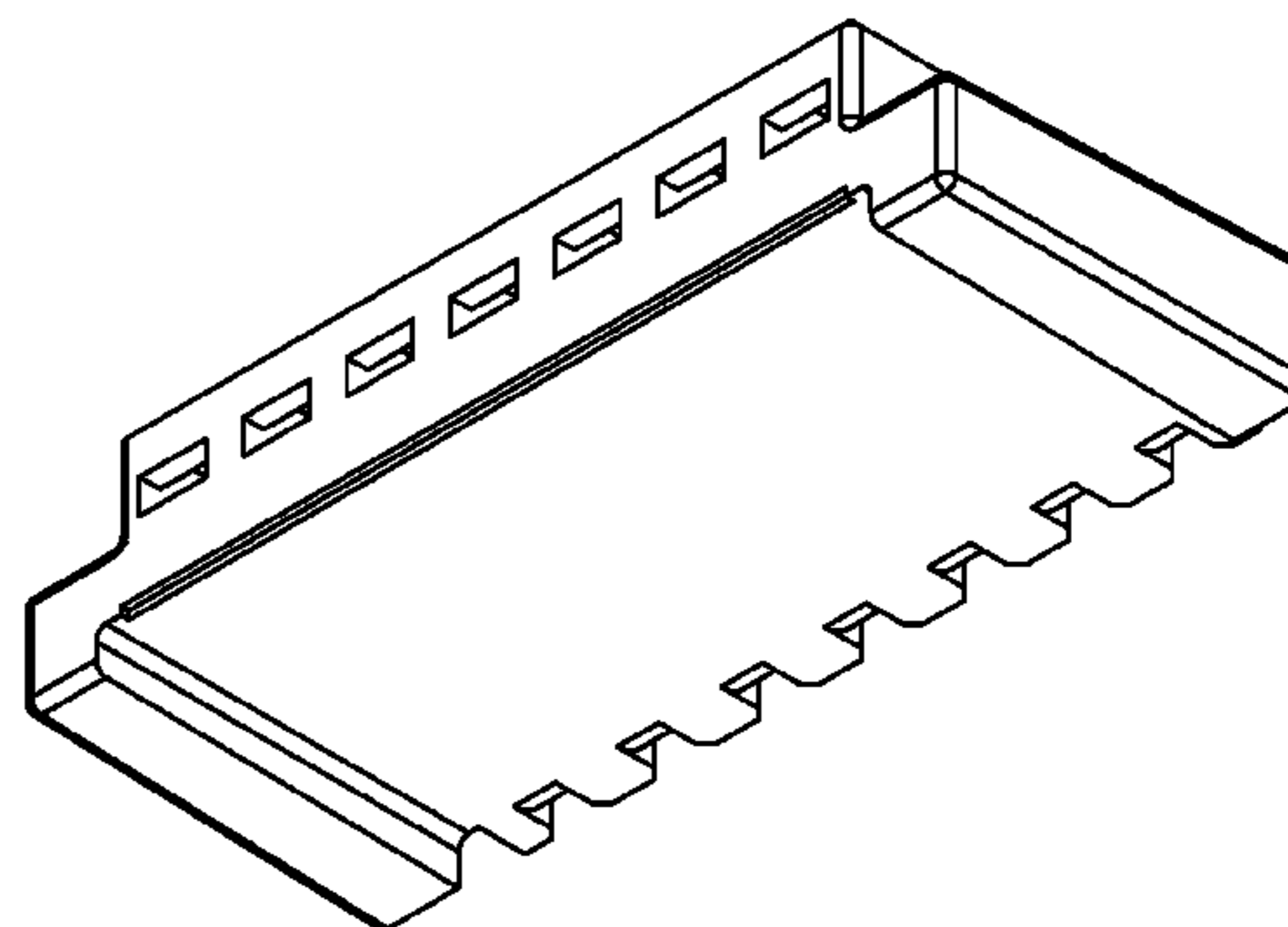
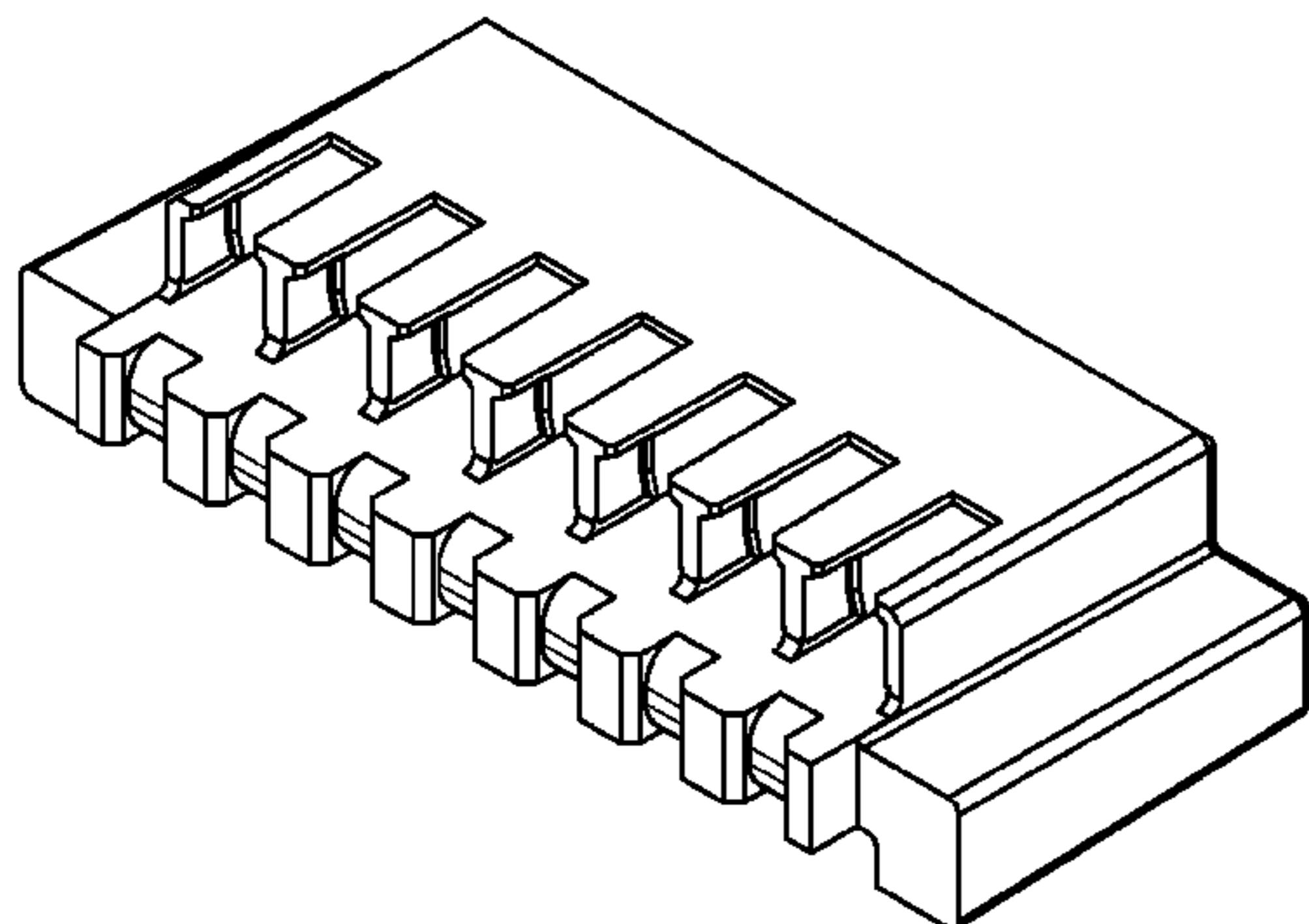
In a preferred embodiment, the nature of this product is a housing for supporting electrical terminals of an electrical connector that are configured for electrically connecting to an electrical device.

1 Claim, 3 Drawing Sheets

(56) **References Cited**

U.S. PATENT DOCUMENTS

3,612,747	A	10/1971	Shlesinger, Jr.	
D227,767	S	7/1973	Gillespie	
4,171,858	A	10/1979	Knowles et al.	
4,560,226	A	12/1985	Dennis	
4,749,368	A	6/1988	Mouissie	
5,567,545	A	10/1996	Murakami	
5,631,098	A	5/1997	Suzuki	
D408,353	S	4/1999	Yoshiura	
D409,143	S	5/1999	Yoshiura	
D410,226	S	5/1999	Yoshiura	
6,083,059	A	7/2000	Kuan	
6,129,168	A	10/2000	Lotito et al.	
D447,122	S *	8/2001	Harasawa et al.	D13/147
6,315,621	B1	11/2001	Natori et al.	
D473,192	S *	4/2003	Ouchi et al.	D13/147
D481,996	S	11/2003	Kihira et al.	
D485,807	S	1/2004	Kao et al.	
6,835,089	B2	12/2004	Hayes et al.	
6,932,382	B2	8/2005	Hayes et al.	
7,001,205	B2	2/2006	Godefroy et al.	



US D672,724 S

Page 2

U.S. PATENT DOCUMENTS

D555,095 S 11/2007 Ho
D555,096 S 11/2007 Peng
D555,131 S 11/2007 Kim et al.
D556,131 S 11/2007 Chien
D556,135 S 11/2007 Dwan et al.
D559,180 S 1/2008 Lai et al.
7,335,068 B2 2/2008 Dwan et al.
D568,246 S 5/2008 Wu et al.
D568,248 S 5/2008 Chen et al.
D569,343 S 5/2008 Hung et al.
D569,801 S 5/2008 Chuang
D569,802 S 5/2008 Long et al.
D570,288 S 6/2008 Ma et al.
D582,348 S 12/2008 Shiu
D584,231 S 1/2009 Wu
D584,237 S 1/2009 Zhu
D586,294 S 2/2009 Lung
D596,575 S * 7/2009 Chen et al. D13/147
D601,970 S 10/2009 Peng et al.
D601,971 S 10/2009 Chen et al.
D603,795 S 11/2009 Kono
D605,137 S 12/2009 Yu et al.
D607,834 S 1/2010 Huang
D607,835 S 1/2010 Huang
D608,295 S 1/2010 Huang
7,662,507 B2 2/2010 Schwendinger et al.
D614,493 S 4/2010 Creed et al.
D614,507 S 4/2010 Lukan et al.
D614,583 S 4/2010 Wang
D615,493 S 5/2010 Kalis

D618,173 S * 6/2010 Wang et al. D13/120
D619,538 S 7/2010 Peng
D642,981 S 8/2011 de Bruijn et al.
D644,177 S 8/2011 de Bruijn et al.
D647,863 S 11/2011 Su et al.
D649,517 S 11/2011 de Bruijn et al.
2004/0038121 A1 2/2004 Song et al.
2007/0243458 A1 10/2007 Roehm et al.
2008/0193837 A1 8/2008 Lu

OTHER PUBLICATIONS

U.S. Appl. No. 13/226,864, filed Sep. 7, 2011, de Bruijn et al.
U.S. Appl. No. 29/369,322, filed Sep. 7, 2010, de Bruijn et al.
U.S. Appl. No. 29/369,333, filed Sep. 7, 2010, de Bruijn et al.
U.S. Appl. No. 29/384,323, filed Jan. 28, 2011, de Bruijn et al.
U.S. Appl. No. 29/384,325, filed Jan. 28, 2011, de Bruijn et al.
U.S. Appl. No. 29/393,270, filed Jun. 1, 2011, Kajiura et al.
U.S. Appl. No. 29/393,276, filed Jun. 1, 2011, Kajiura et al.
U.S. Appl. No. 29/393,278, filed Jun. 1, 2011, Kameda et al.
U.S. Appl. No. 29/393,280, filed Jun. 1, 2011, Kajiura et al.
U.S. Appl. No. 29/393,281, filed Jun. 1, 2011, Kameda et al.
U.S. Appl. No. 29/393,282, filed Jun. 1, 2011, Kajiura et al.
U.S. Appl. No. 29/393,283, filed Jun. 1, 2011, Kameda et al.
U.S. Appl. No. 29/407,357, filed Nov. 28, 2011, de Bruijn et al.
U.S. Appl. No. 29/407,363, filed Nov. 28, 2011, Kajiura et al.
U.S. Appl. No. 29/407,370, filed Nov. 28, 2011, Kajiura et al.
U.S. Appl. No. 29/393,269, filed Jun. 1, 2011, Kameda et al.

* cited by examiner

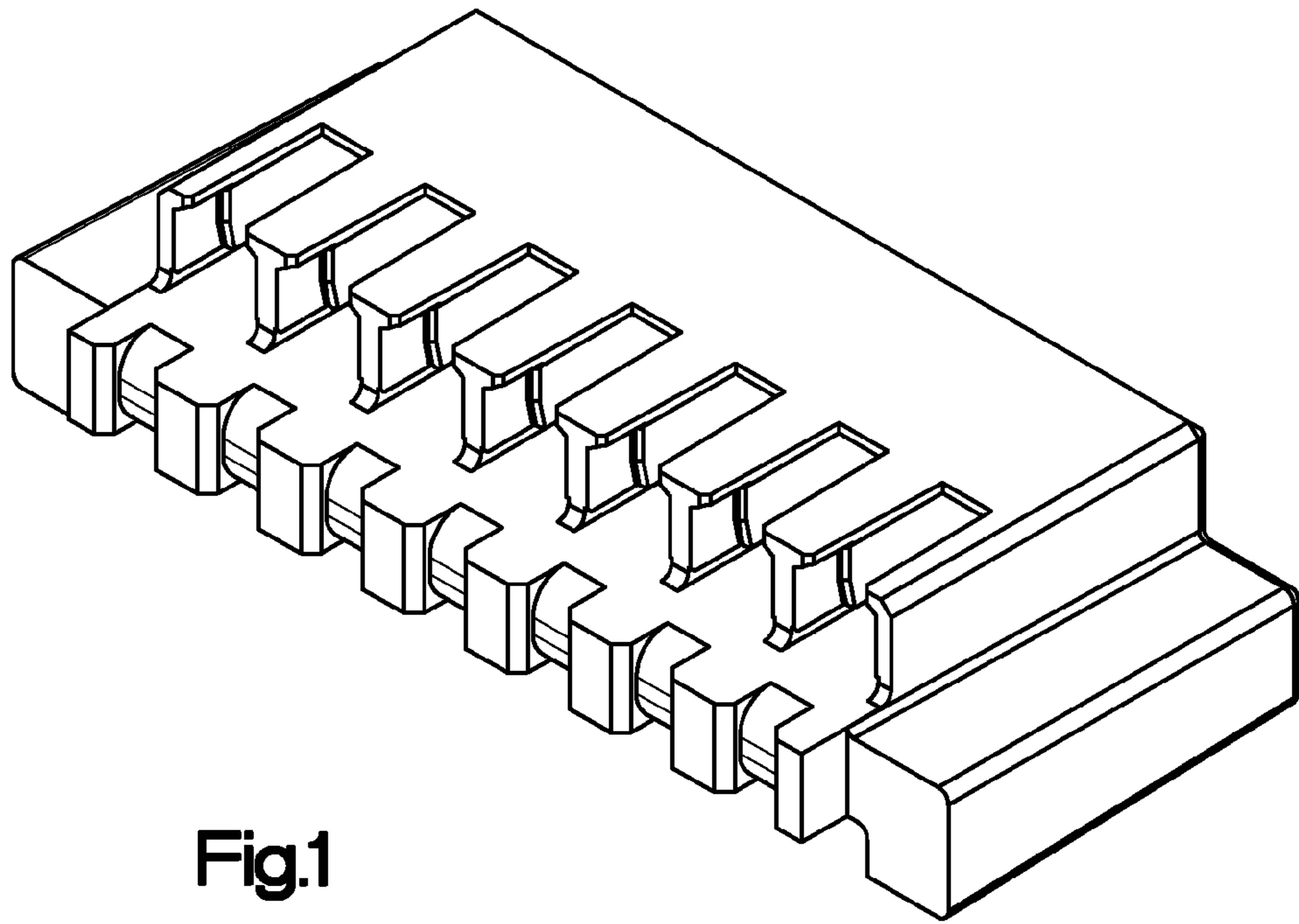


Fig.1

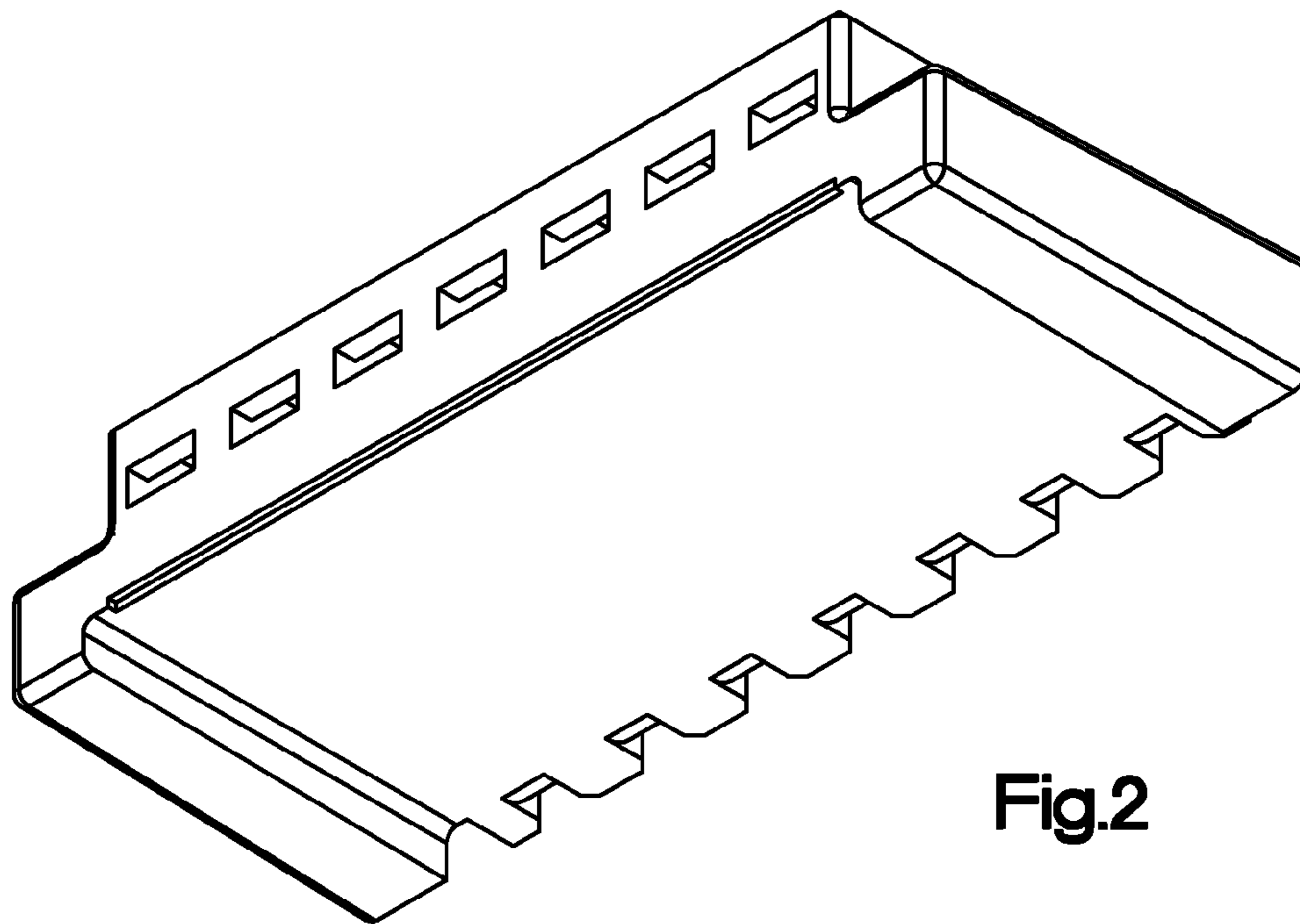


Fig.2

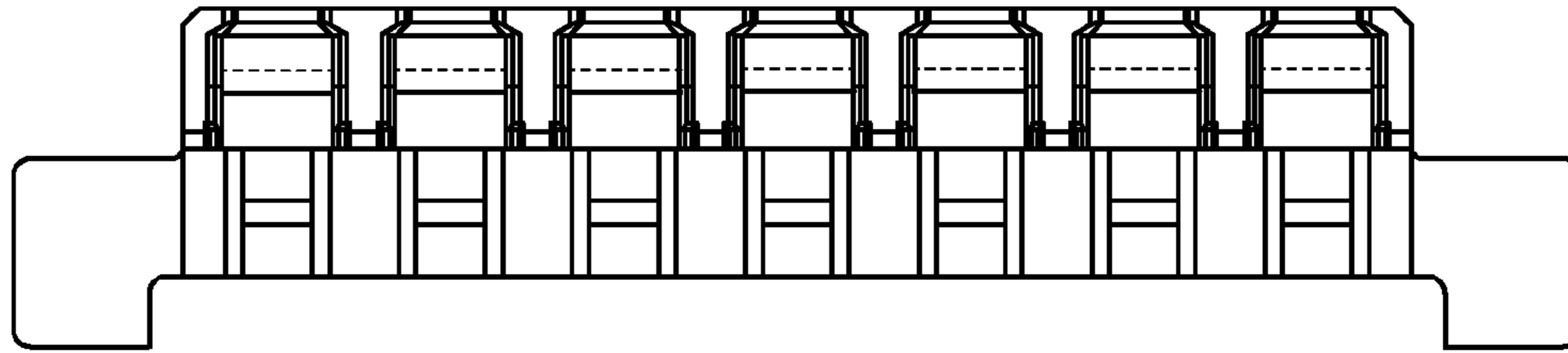


Fig.3

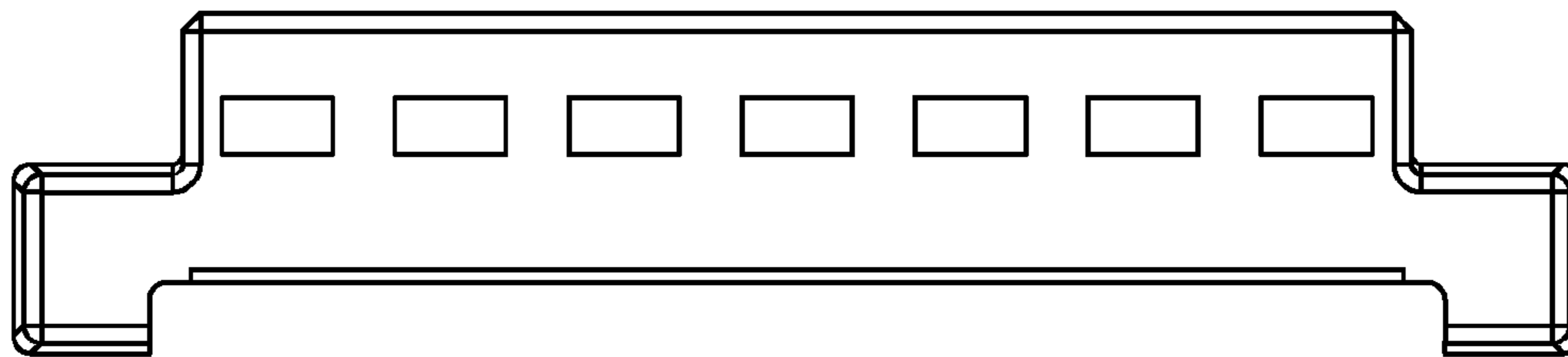


Fig.4

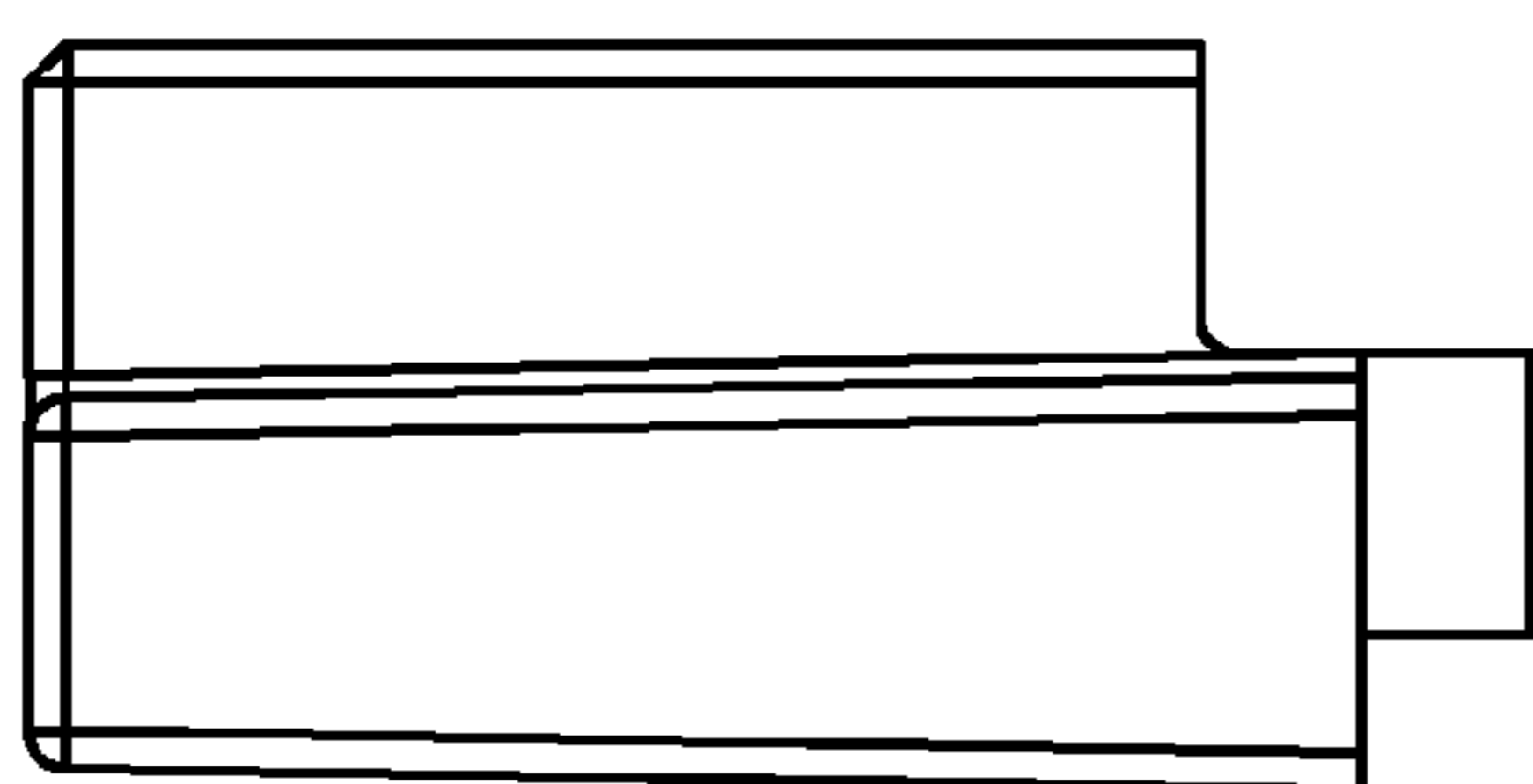


Fig.5

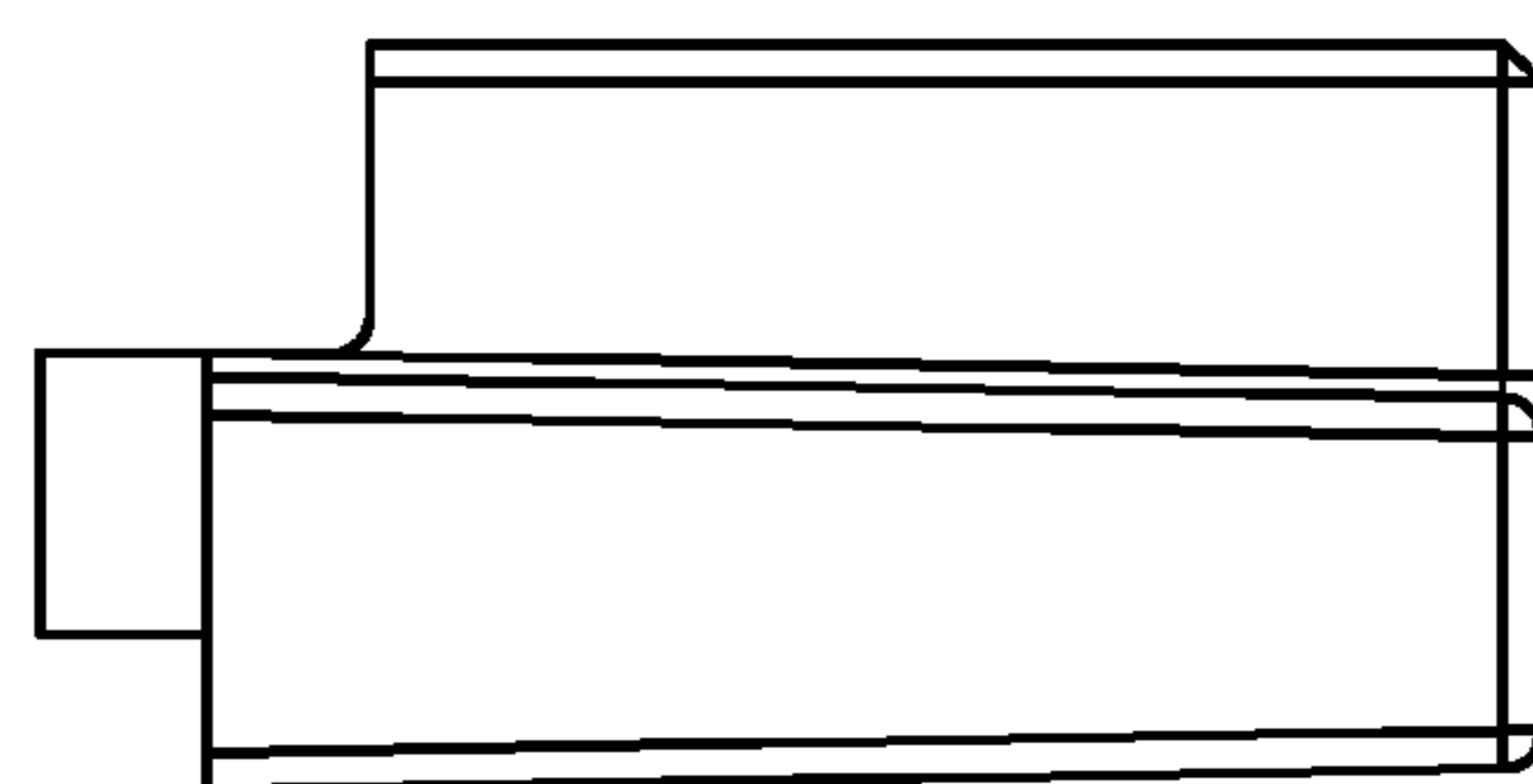


Fig.6

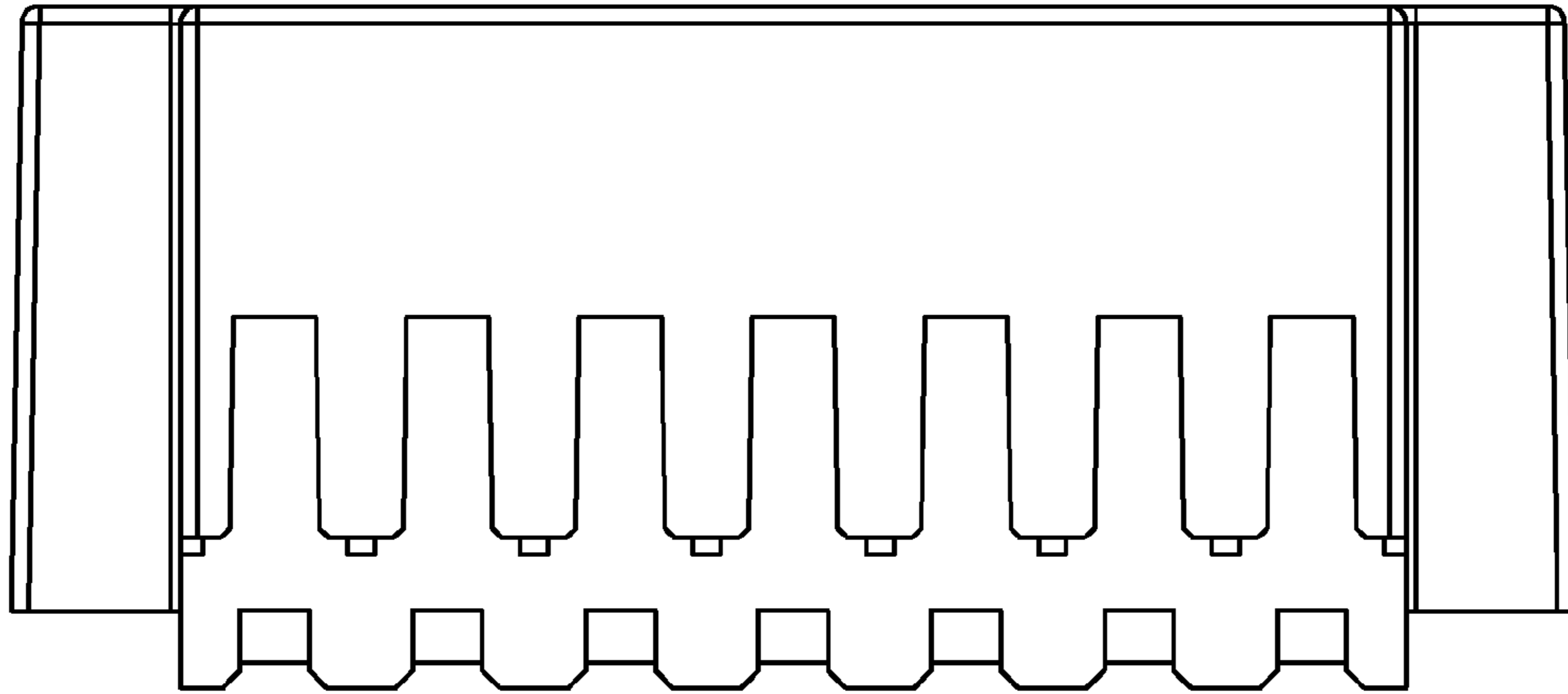


Fig.7

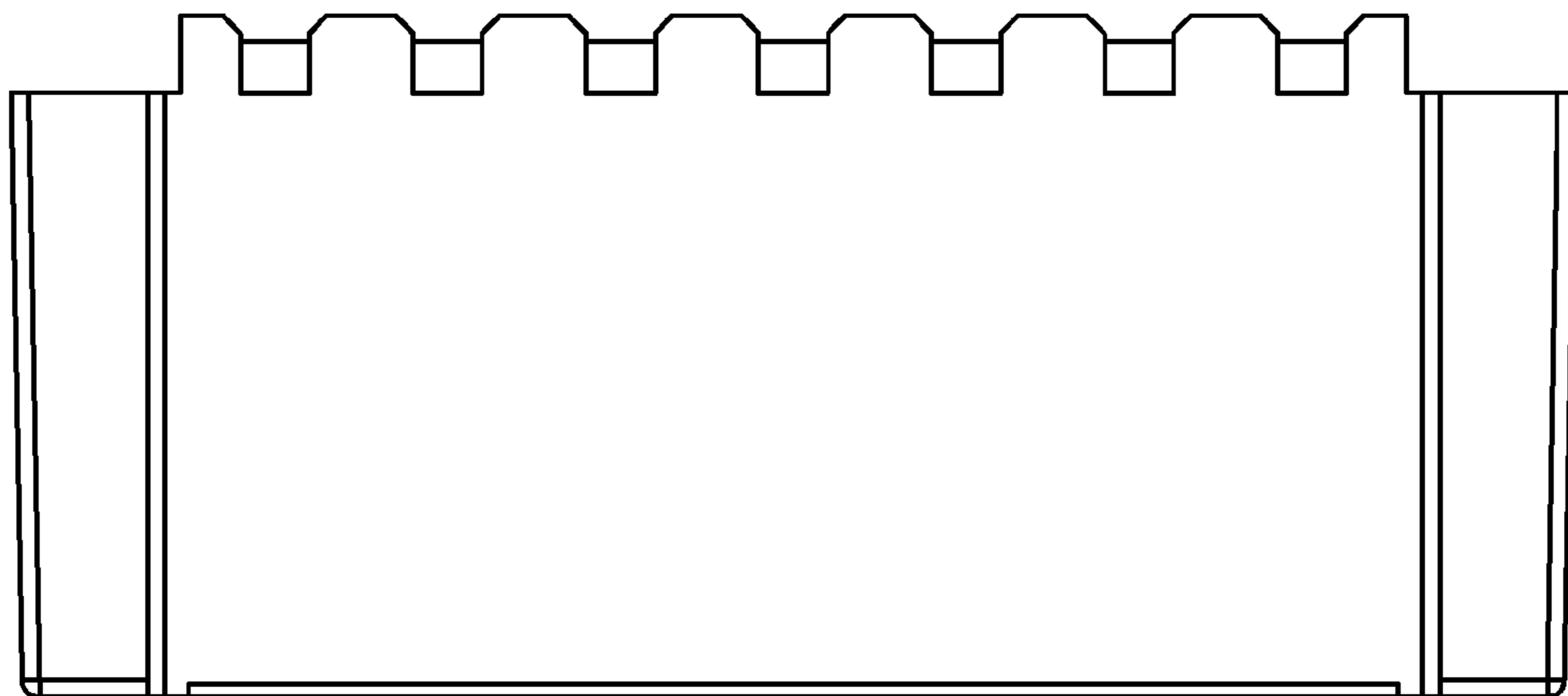


Fig.8