



US00D672721S

(12) **United States Design Patent**
Kreitzer et al.

(10) **Patent No.:** **US D672,721 S**

(45) **Date of Patent:** **** Dec. 18, 2012**

(54) **KEYED PLUG FOR ACCESSORY-HOST INTERFACE**

(75) Inventors: **Robert R. Kreitzer**, Tigard, OR (US);
Kevin C. Ayers, Beaverton, OR (US);
Marc A. Gessford, North Plains, OR
(US); **Jim L. Martin**, Lake Oswego, OR
(US); **J. Steven Lyford**, Portland, OR
(US)

(73) Assignee: **Tektronix, Inc.**, Beaverton, OR (US)

(**) Term: **14 Years**

(21) Appl. No.: **29/423,686**

(22) Filed: **Jun. 4, 2012**

Related U.S. Application Data

(62) Division of application No. 29/369,994, filed on Sep. 16, 2010, now Pat. No. Des. 663,269.

(51) **LOC (9) Cl.** **13-03**

(52) **U.S. Cl.** **D13/133**

(58) **Field of Classification Search** D13/133,
D13/134, 135, 147, 154, 184, 199; D14/217,
D14/356, 358, 369, 383, 385, 432, 433, 439,
D14/440, 447, 454; D10/76, 78, 80; 439/180,
439/246, 252, 278, 374, 378, 379, 380, 381,
439/527, 529, 530, 533, 892, 894, 630

See application file for complete search history.

(56) **References Cited**

U.S. PATENT DOCUMENTS

D370,889 S	6/1996	Anthony	
D460,371 S	7/2002	Wrisley et al.	
D514,004 S	1/2006	Wrisley	
D556,066 S	11/2007	Hoang et al.	
D566,046 S	4/2008	Gabel et al.	
D566,047 S	4/2008	Gabel et al.	
D643,841 S	8/2011	Lyford et al.	
D649,970 S	12/2011	Lyford et al.	
D659,641 S *	5/2012	Kreitzer et al. D13/133
D663,269 S *	7/2012	Kreitzer et al. D13/133

* cited by examiner

Primary Examiner — Daniel Bui

(74) *Attorney, Agent, or Firm* — William K. Bucher

(57) **CLAIM**

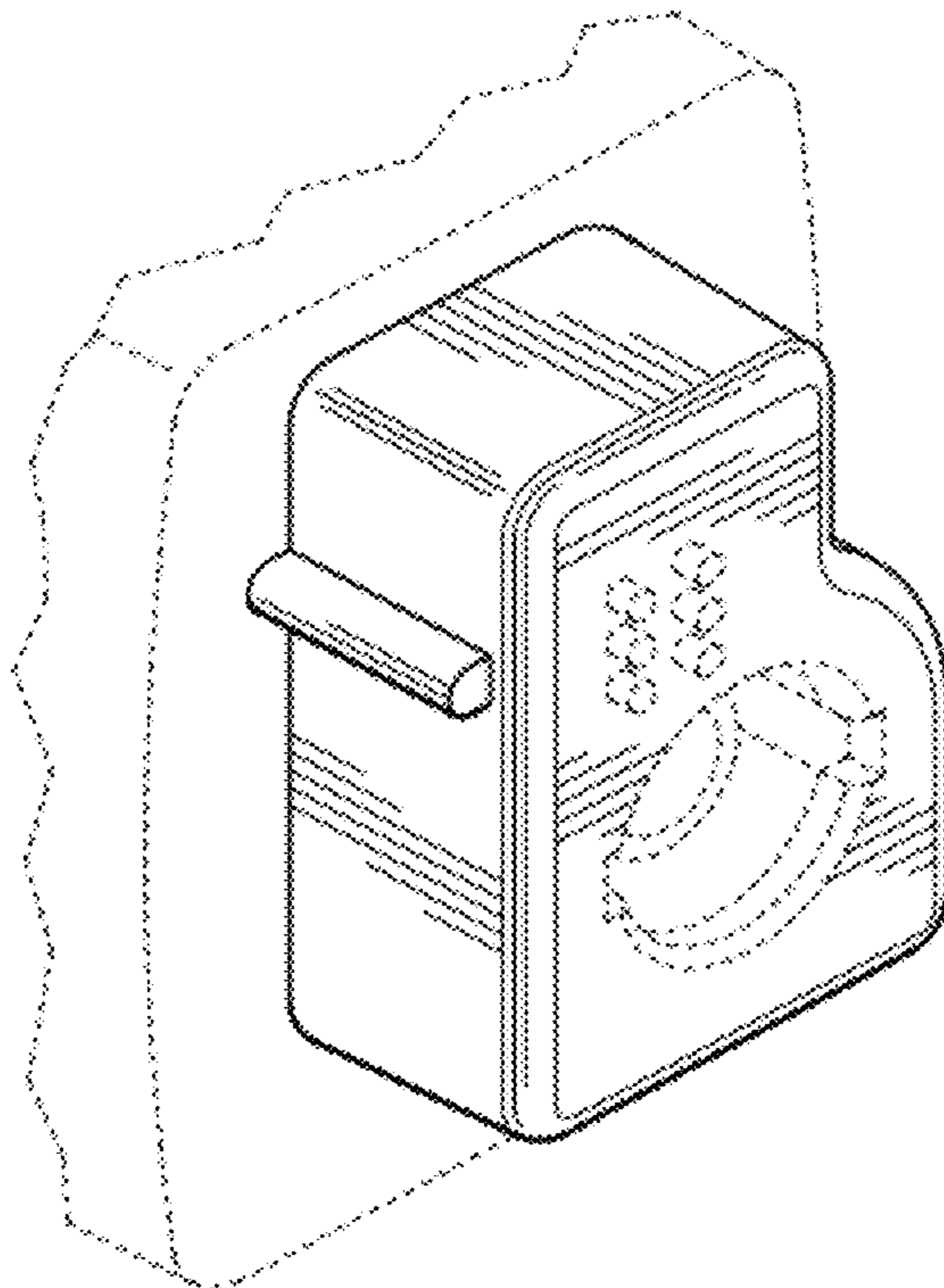
The ornamental design of a keyed plug for accessory-host interface, as shown and described.

DESCRIPTION

FIG. 1 is a front perspective view of a keyed plug for accessory-host interface showing our new design; FIG. 2 is a front elevation view thereof; FIG. 3 is a left side elevation view thereof; FIG. 4 is a right side elevation view; FIG. 5 is a top plan view thereof; and, FIG. 6 is a bottom plan view.

The broken line portion of the figure drawings is included for the purpose of illustrating environment and forms no part of the claimed design.

1 Claim, 2 Drawing Sheets



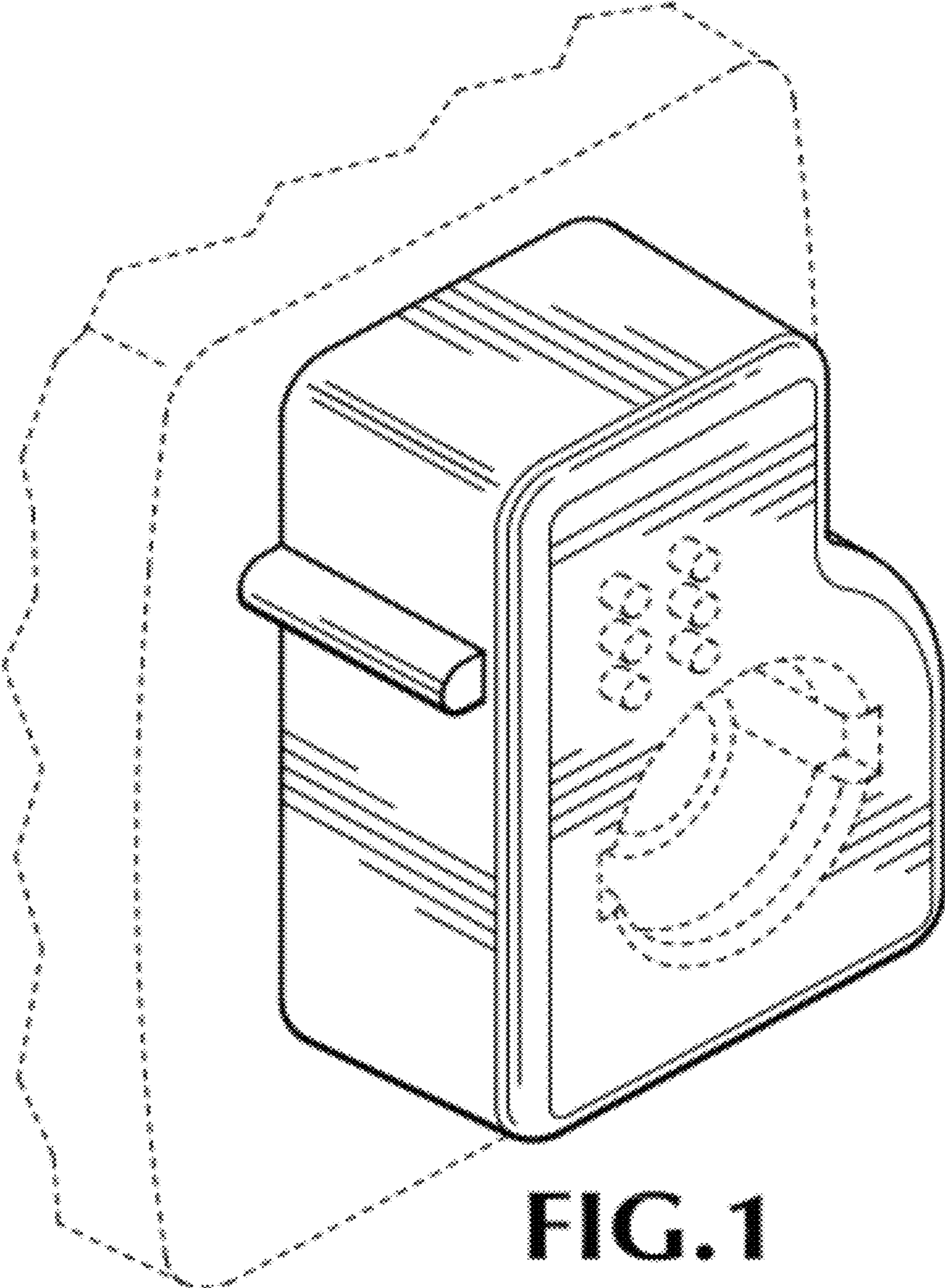


FIG. 1

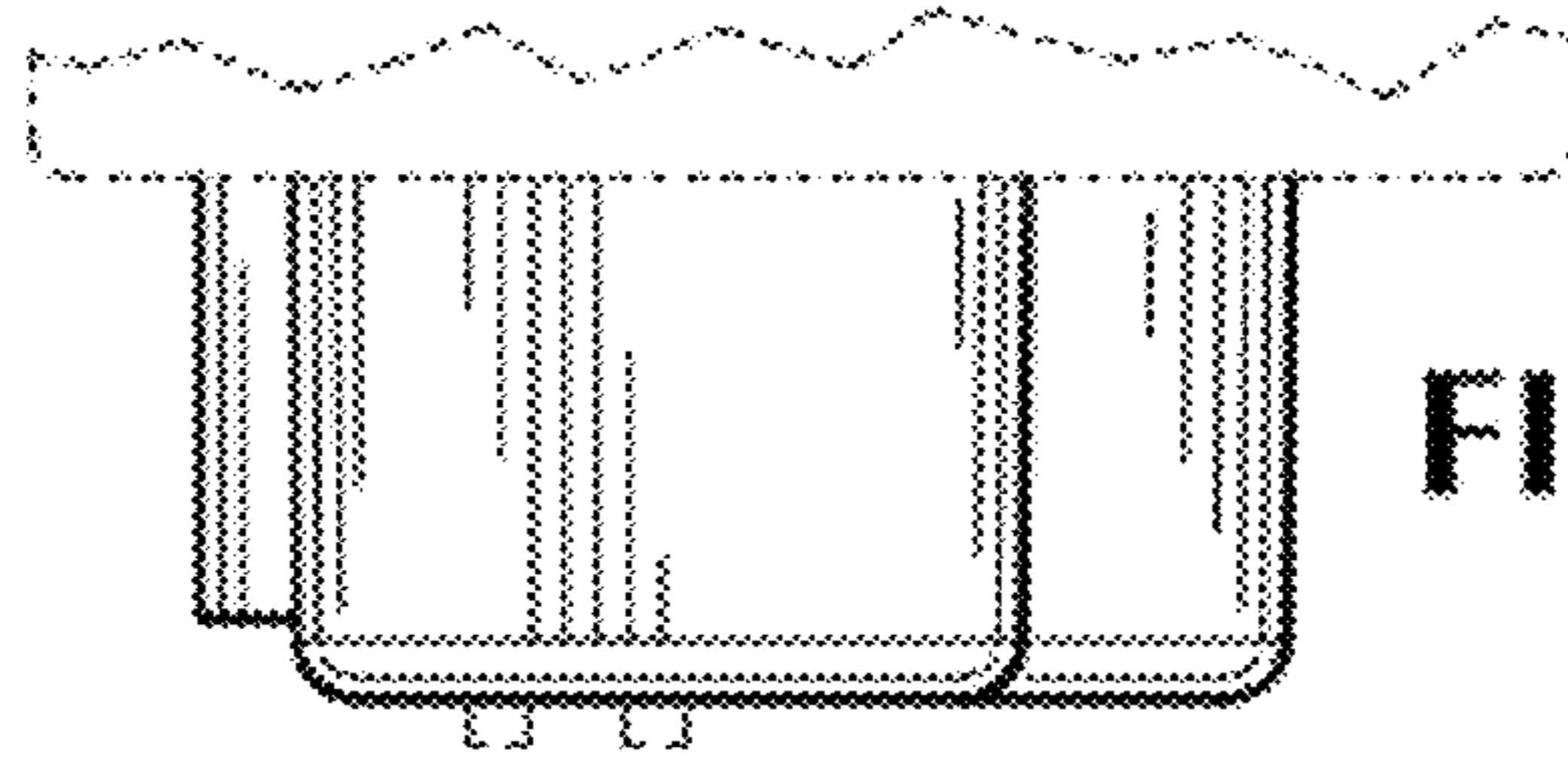


FIG. 5

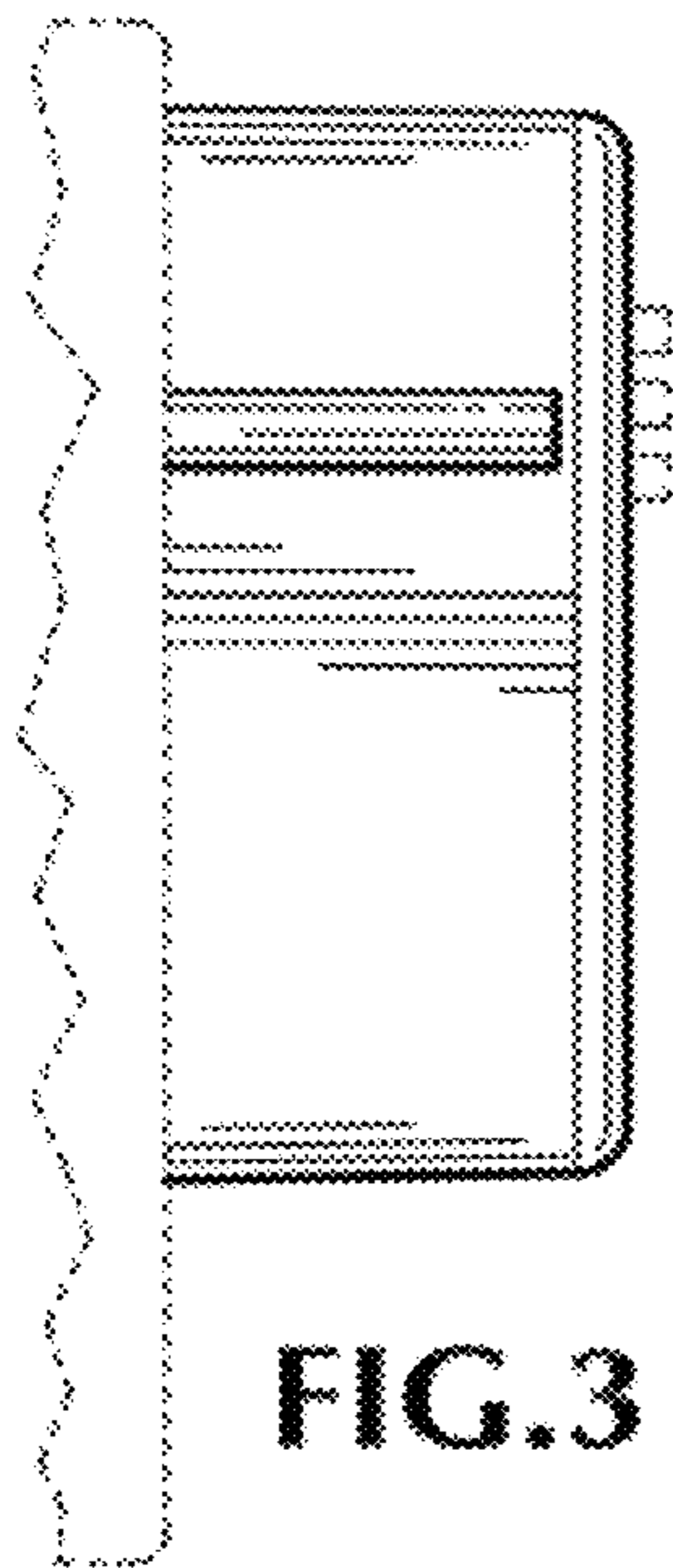


FIG. 3

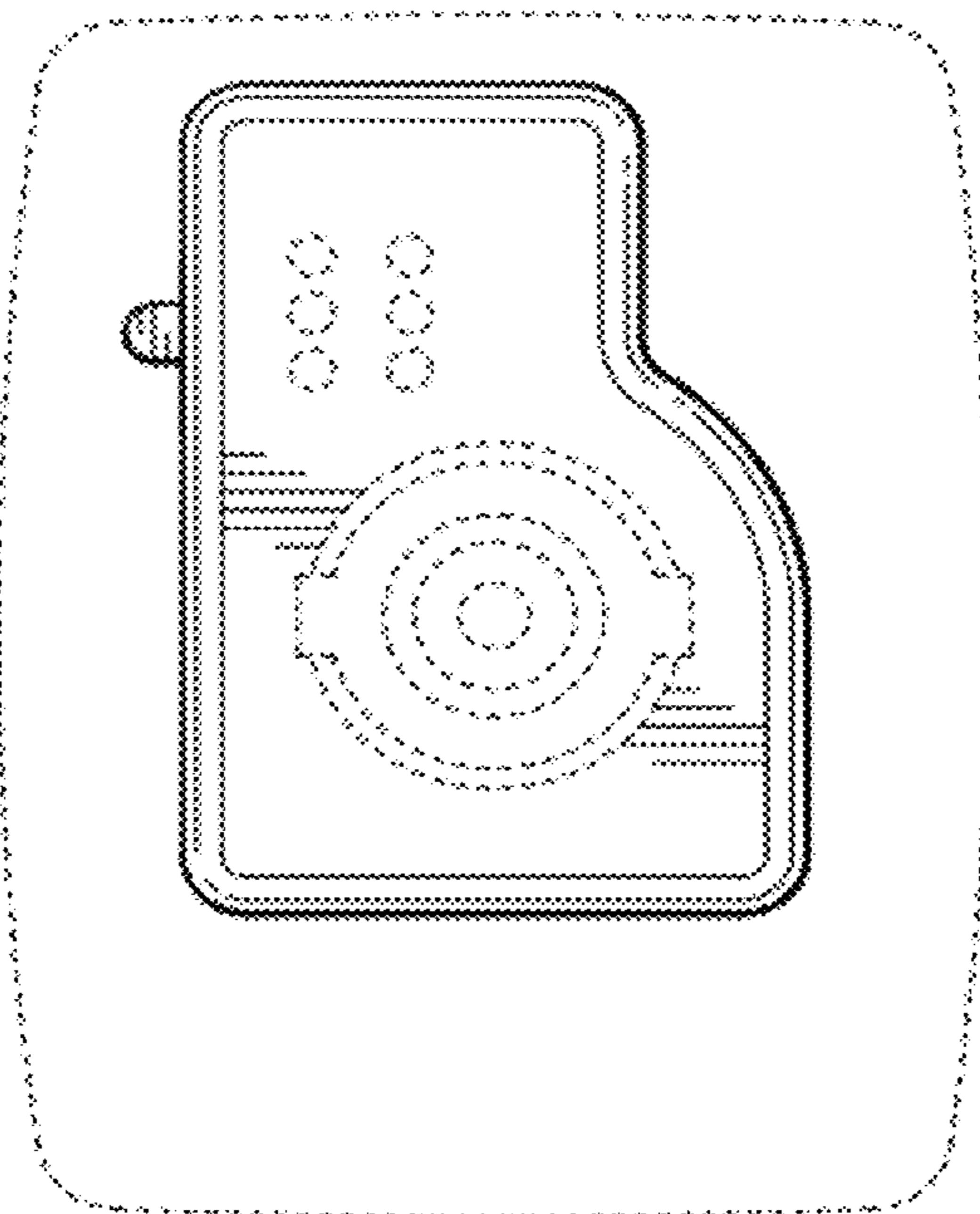


FIG. 2

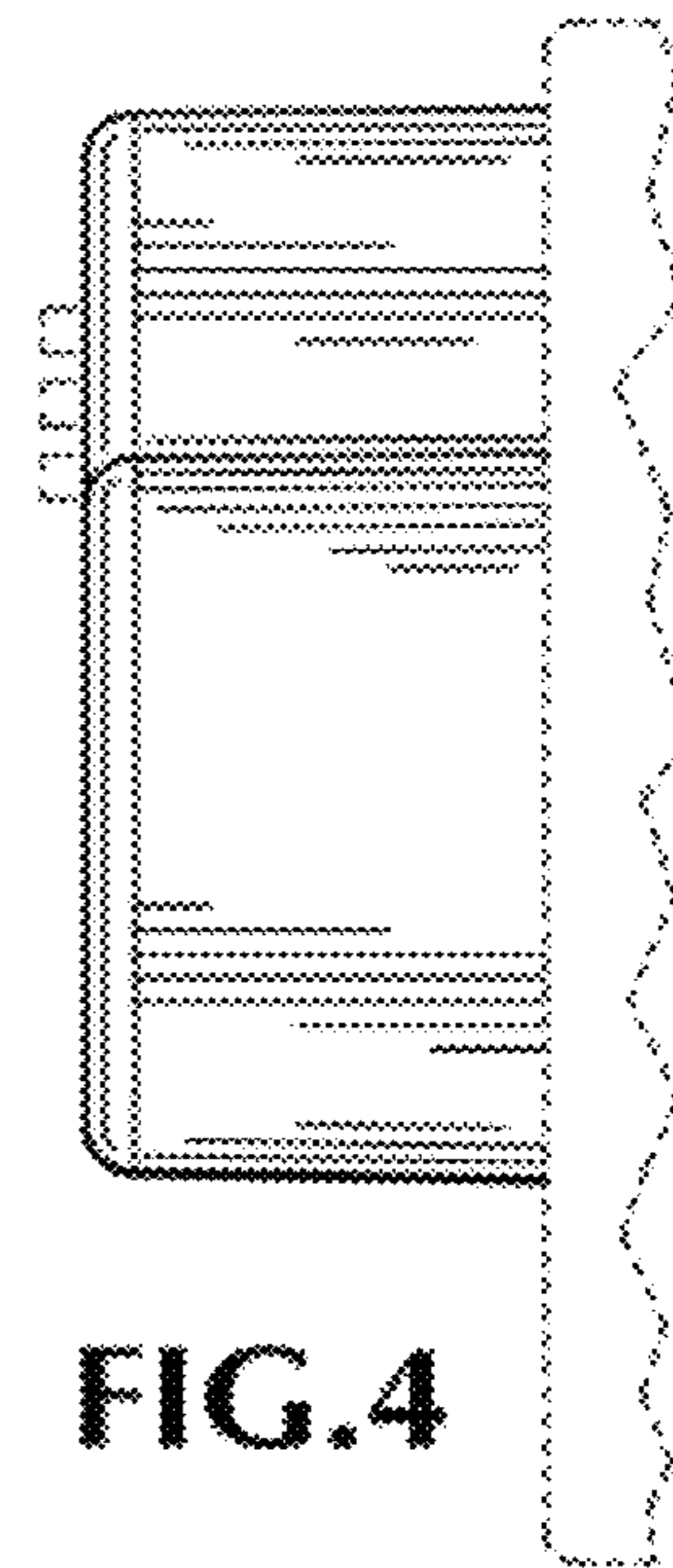


FIG. 4

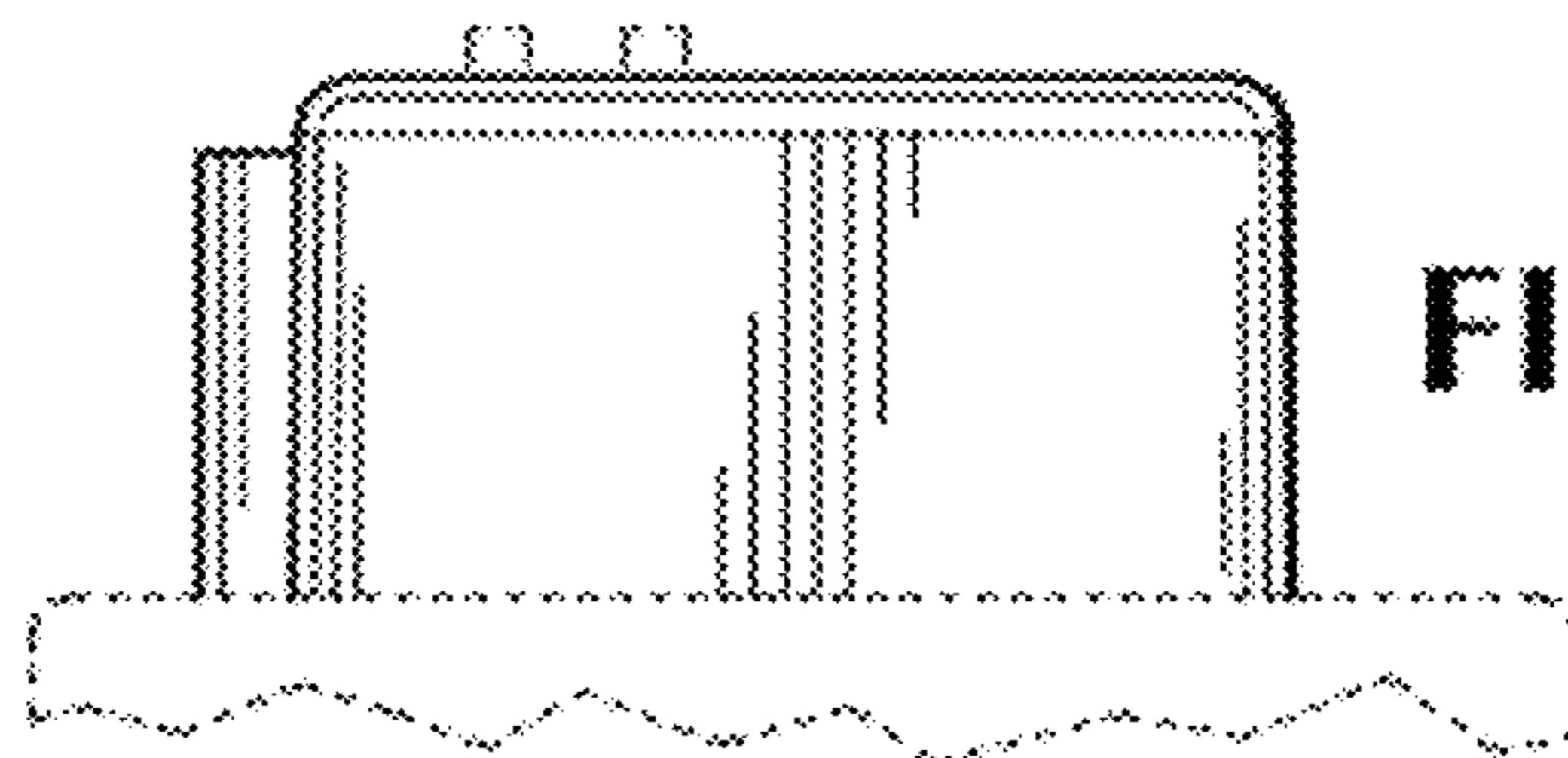


FIG. 6