



US00D672717S

(12) **United States Design Patent**  
**Nagata**

(10) **Patent No.:** **US D672,717 S**  
(45) **Date of Patent:** **\*\* Dec. 18, 2012**

(54) **ELECTRICAL CONNECTOR**

- (75) Inventor: **Takayuki Nagata, Yao (JP)**
- (73) Assignee: **Hosiden Corporation, Yao-shi (JP)**
- (\*\*) Term: **14 Years**
- (21) Appl. No.: **29/415,064**
- (22) Filed: **Mar. 7, 2012**

(30) **Foreign Application Priority Data**

Sep. 12, 2011 (JP) ..... 2011-020663

- (51) **LOC (9) Cl.** ..... **13-03**
- (52) **U.S. Cl.** ..... **D13/133**
- (58) **Field of Classification Search** ..... D13/133,  
D13/147, 154, 184; 439/188, 278, 374, 378,  
439/380, 527, 533, 607.01, 607.04, 607.05,  
439/607.17, 607.25, 607.34, 607.41, 607.53,  
439/668, 540.1, 541.5, 660, 892, 894, 939  
See application file for complete search history.

(56) **References Cited**

**U.S. PATENT DOCUMENTS**

D431,528 S *	10/2000	Zhu et al. ....	D13/133
D451,472 S *	12/2001	Suzuki .....	D13/133
D459,303 S *	6/2002	Florescu .....	D13/133
D470,107 S *	2/2003	Li et al. ....	D13/133
D507,531 S *	7/2005	Suzuki .....	D13/133
D533,504 S *	12/2006	Lee .....	D13/133
D555,098 S	11/2007	Wu et al. ....	D13/133
D617,271 S *	6/2010	Chiang .....	D13/133
D632,251 S *	2/2011	Chen .....	D13/147
D632,253 S *	2/2011	Su et al. ....	D13/147
D641,320 S *	7/2011	Huang .....	D13/133
2011/0300756 A1 *	12/2011	Zhang .....	439/625

**OTHER PUBLICATIONS**

Notification for Reasons for Refusal received from the Japanese Patent Office in related application No. 2011-020661 dated Jun. 26, 2012 with English translation (7 pages).

\* cited by examiner

*Primary Examiner* — Daniel Bui

(74) *Attorney, Agent, or Firm* — Kratz, Quintos & Hanson, LLP

(57) **CLAIM**

The ornamental design for an electrical connector, as shown and described.

**DESCRIPTION**

FIG. 1 is a front elevational view of an electrical connector showing my new invention.  
 FIG. 2 is a back elevational view thereof;  
 FIG. 3 is a top plan view thereof;  
 FIG. 4 is a bottom plan view thereof;  
 FIG. 5 is a right side elevational view thereof;  
 FIG. 6 is a left side elevational view thereof;  
 FIG. 7 is a top, front, and right side perspective view thereof;  
 FIG. 8 is a top, back, and left side perspective view thereof;  
 FIG. 9 is a bottom, front, and right side perspective view thereof;  
 FIG. 10 is a bottom, back and left side perspective view thereof;  
 FIG. 11 is a cross-sectional view thereof, taken along the line 11-11 of FIG. 1;  
 FIG. 12 is a cross-sectional view thereof, taken along the line 12-12 of FIG. 1;  
 FIG. 13 is a cross-sectional view thereof, taken along the line 13-13 of FIG. 1; and,  
 FIG. 14 is a cross-sectional view thereof, taken along the line 14-14 of FIG. 1.  
 The broken line portion of the figure drawings is included to show unclaimed subject matter only and forms no part of the claimed description.

**1 Claim, 14 Drawing Sheets**

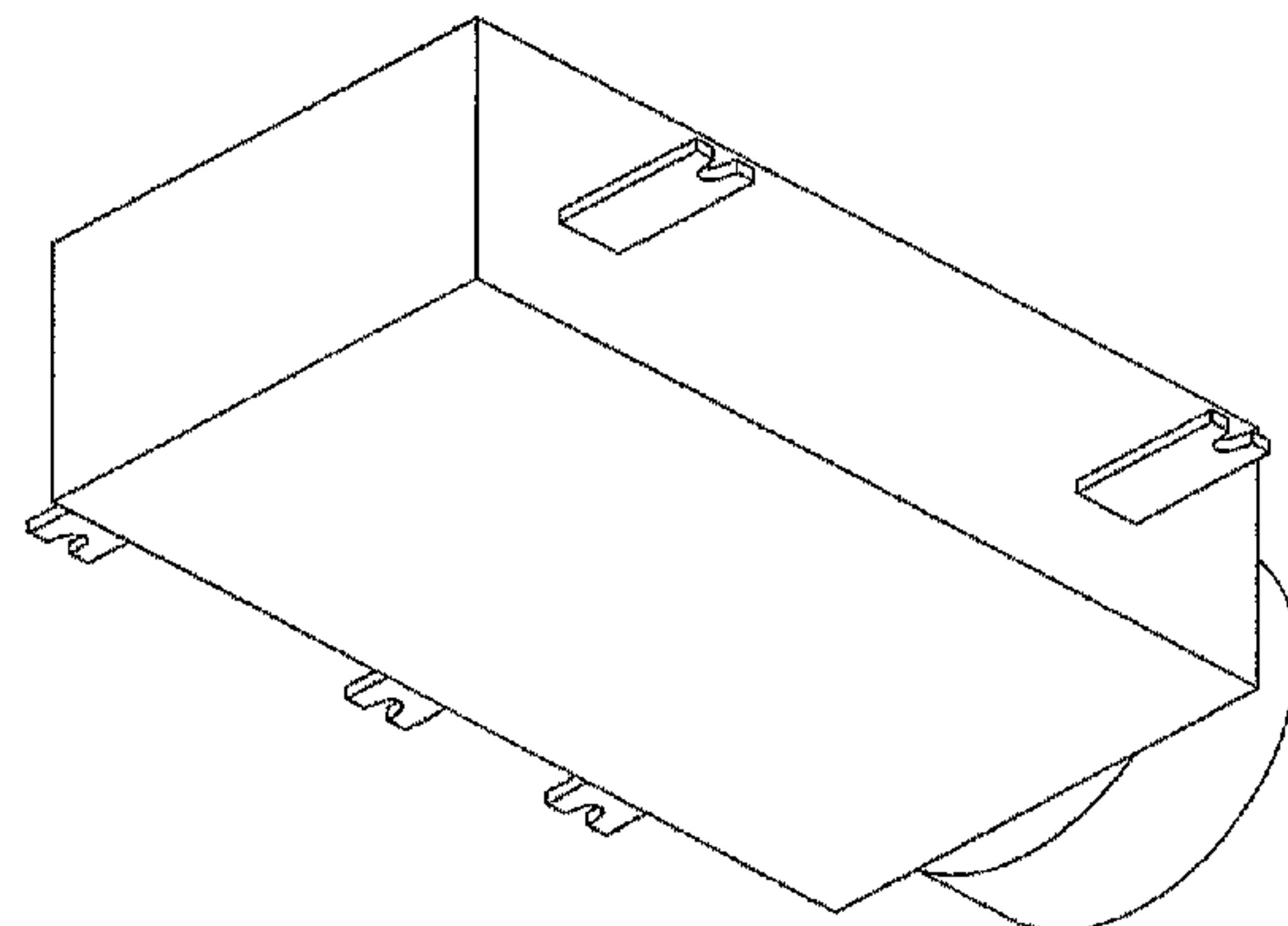
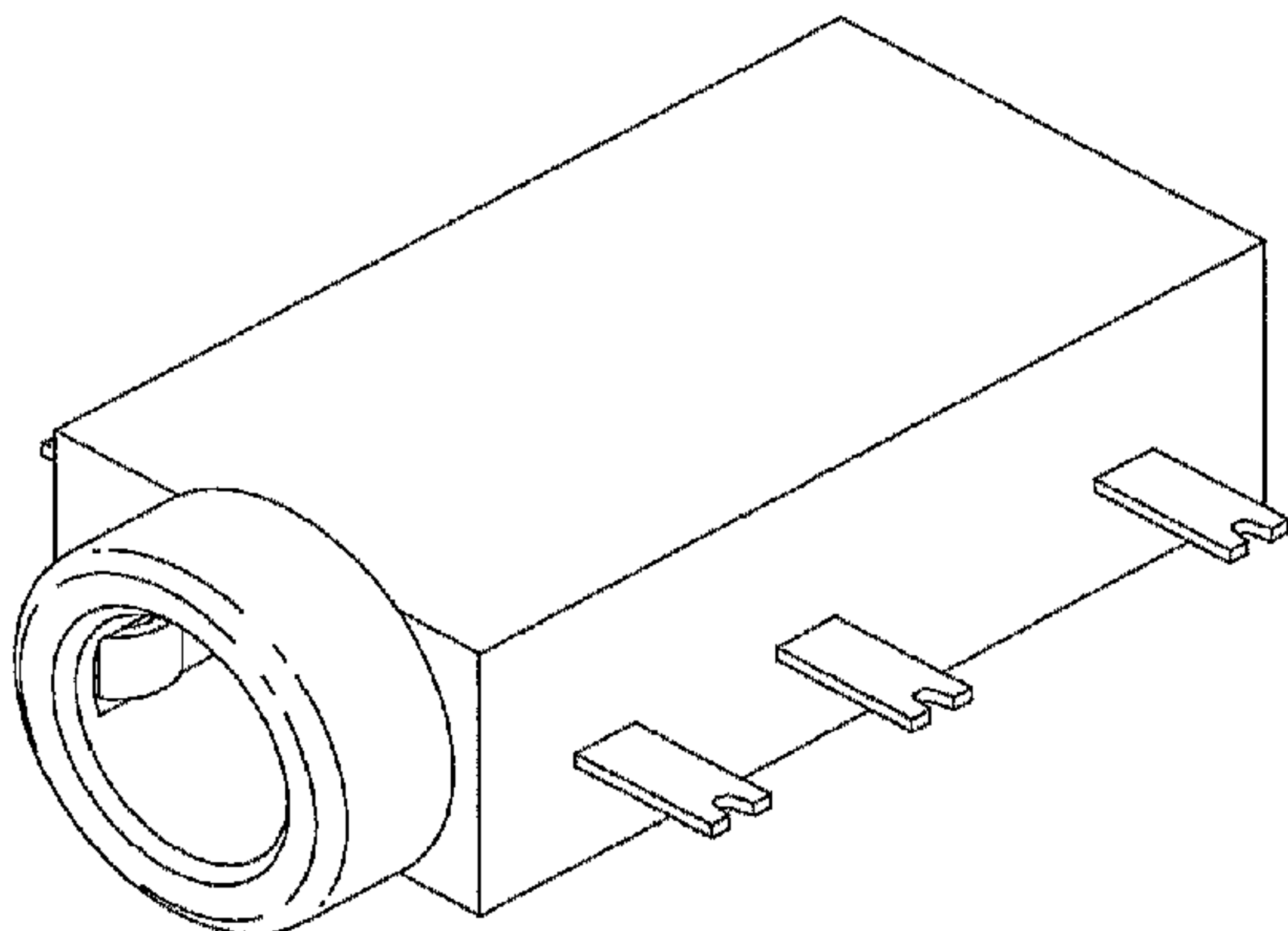


FIG. 1

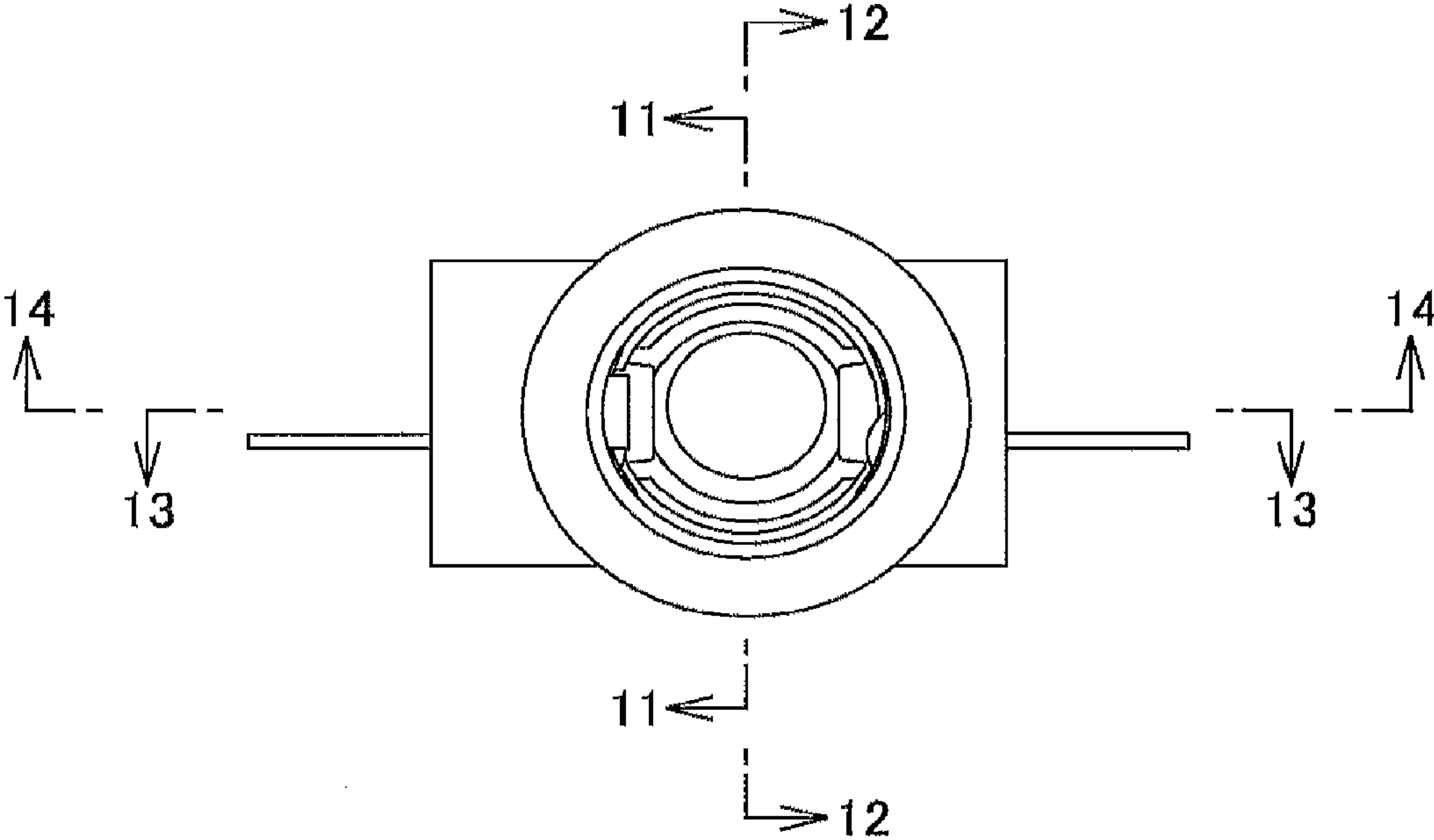


FIG. 2

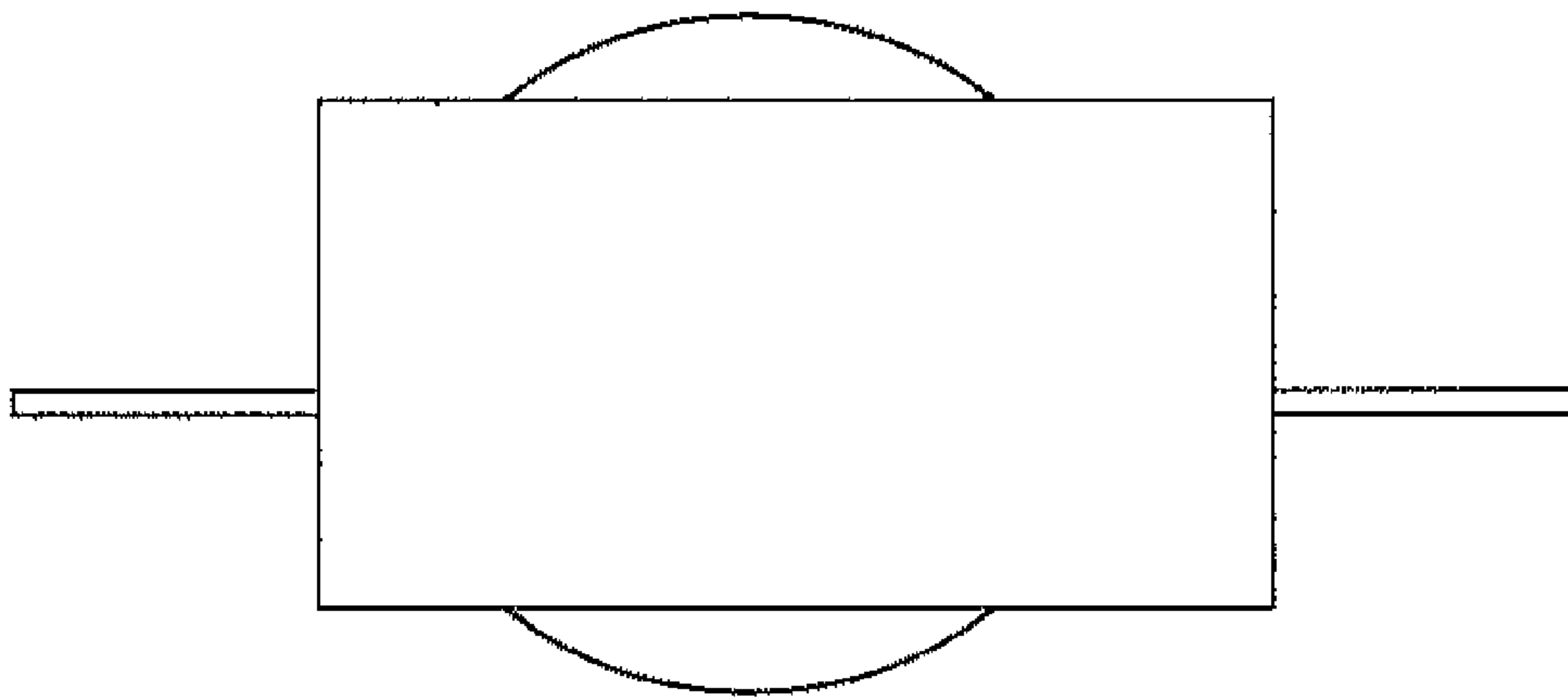


FIG. 3

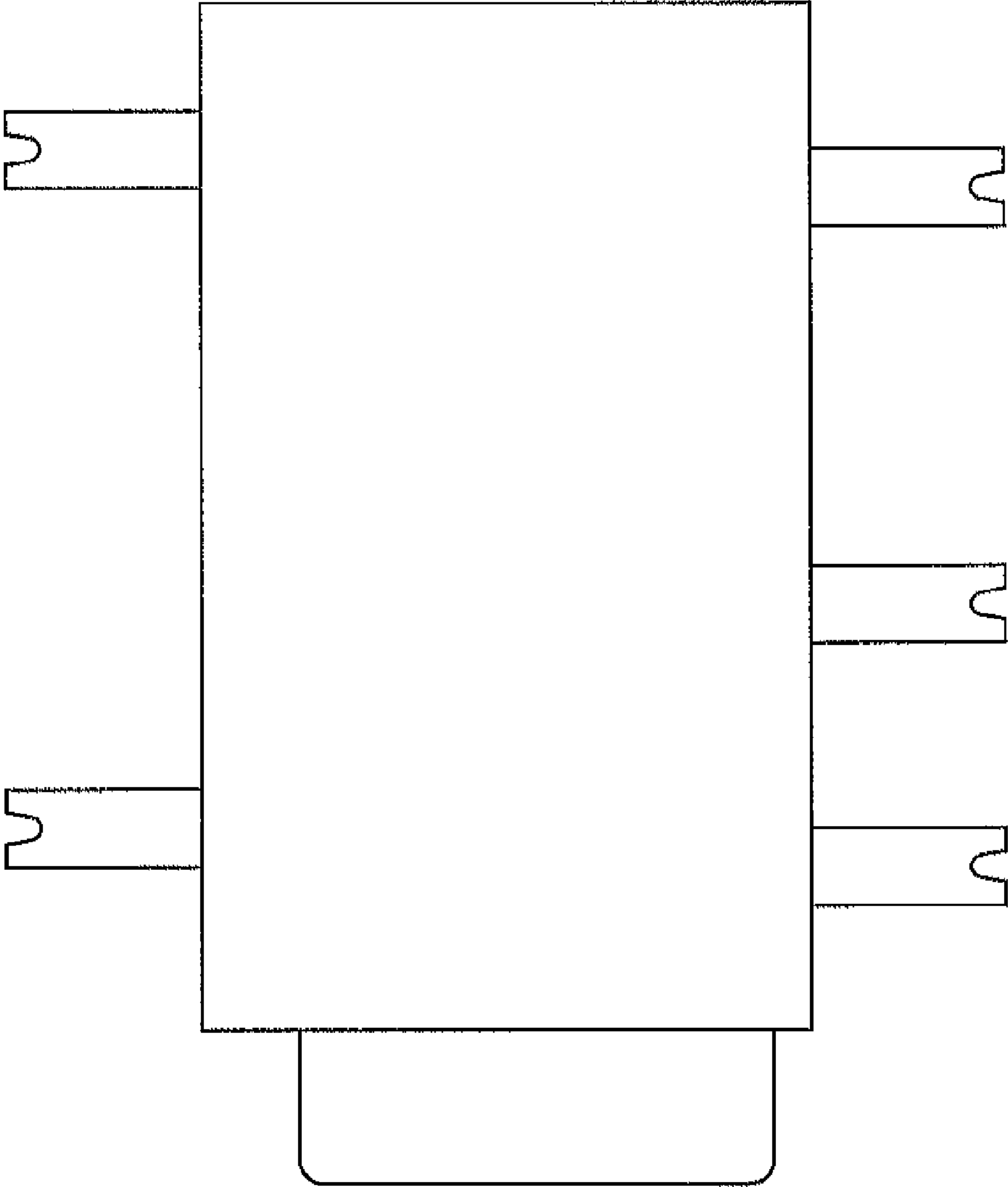


FIG. 4

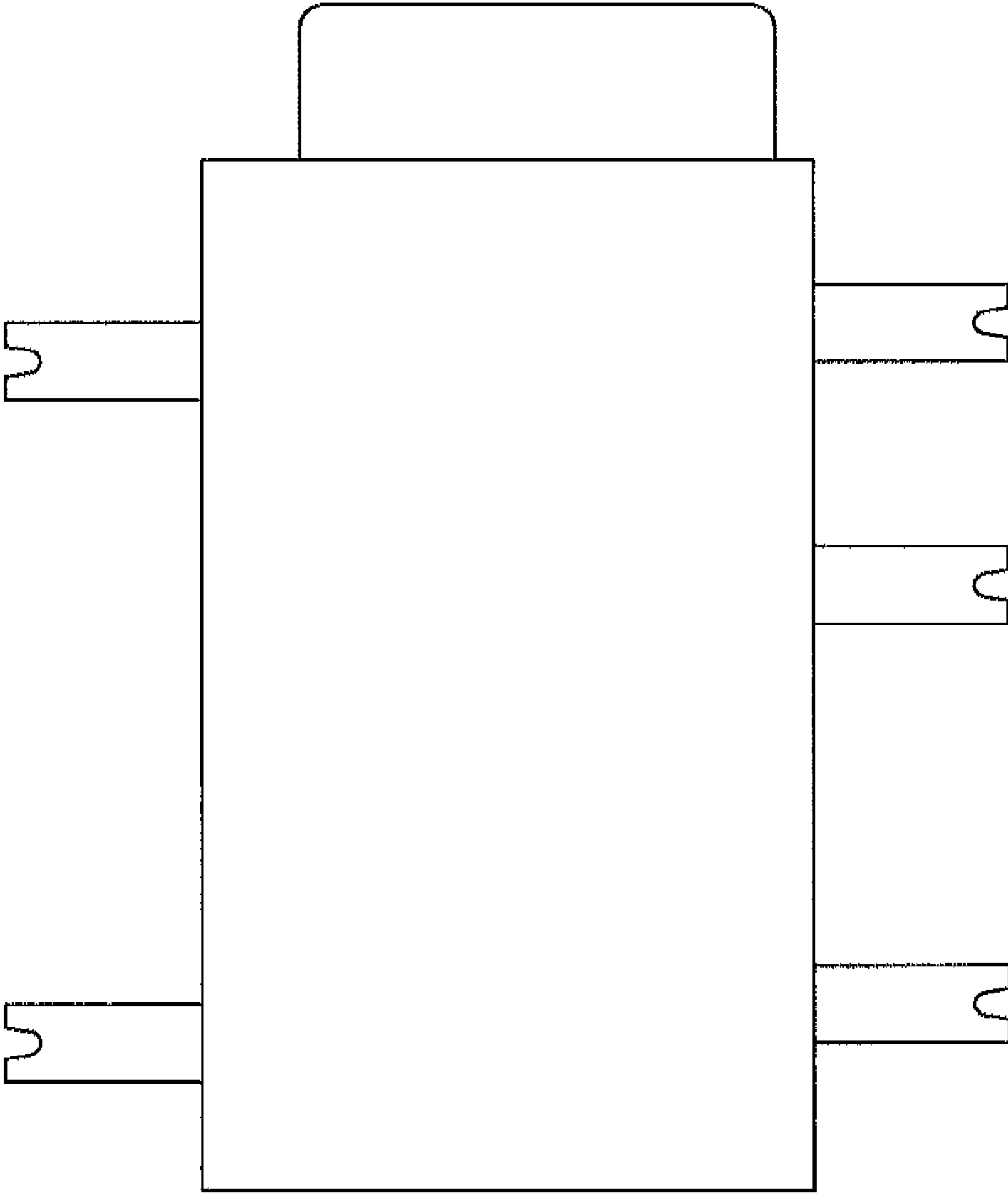


FIG. 5

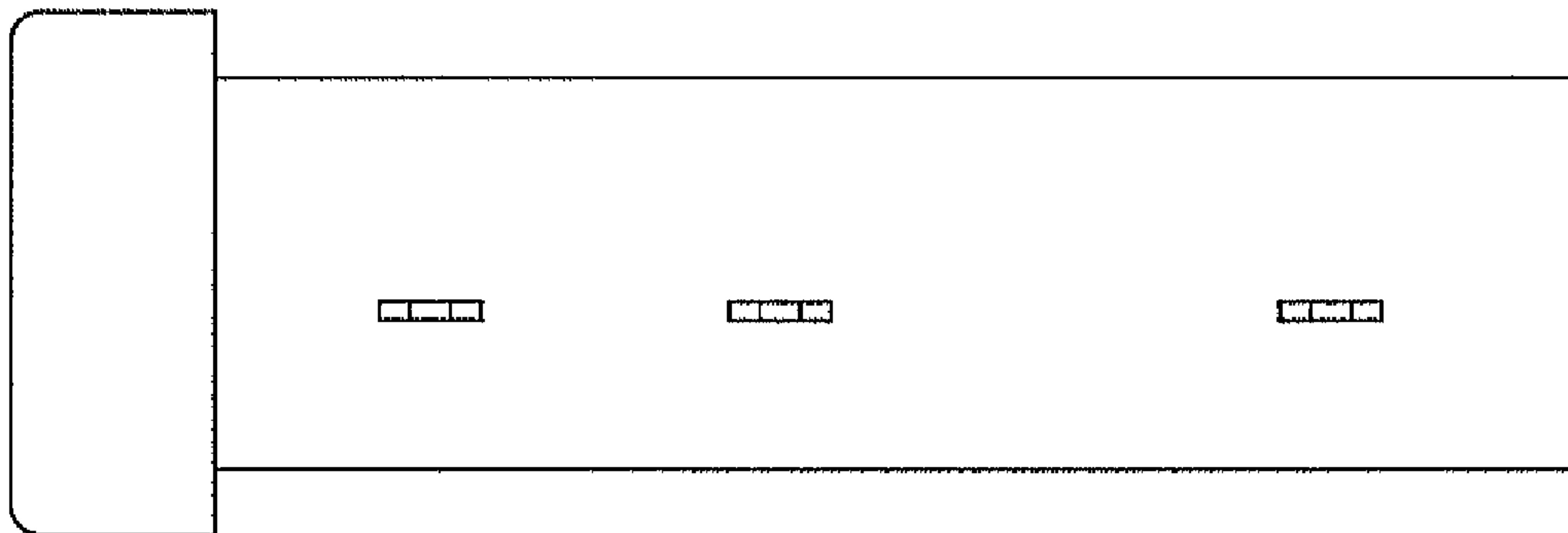


FIG. 6

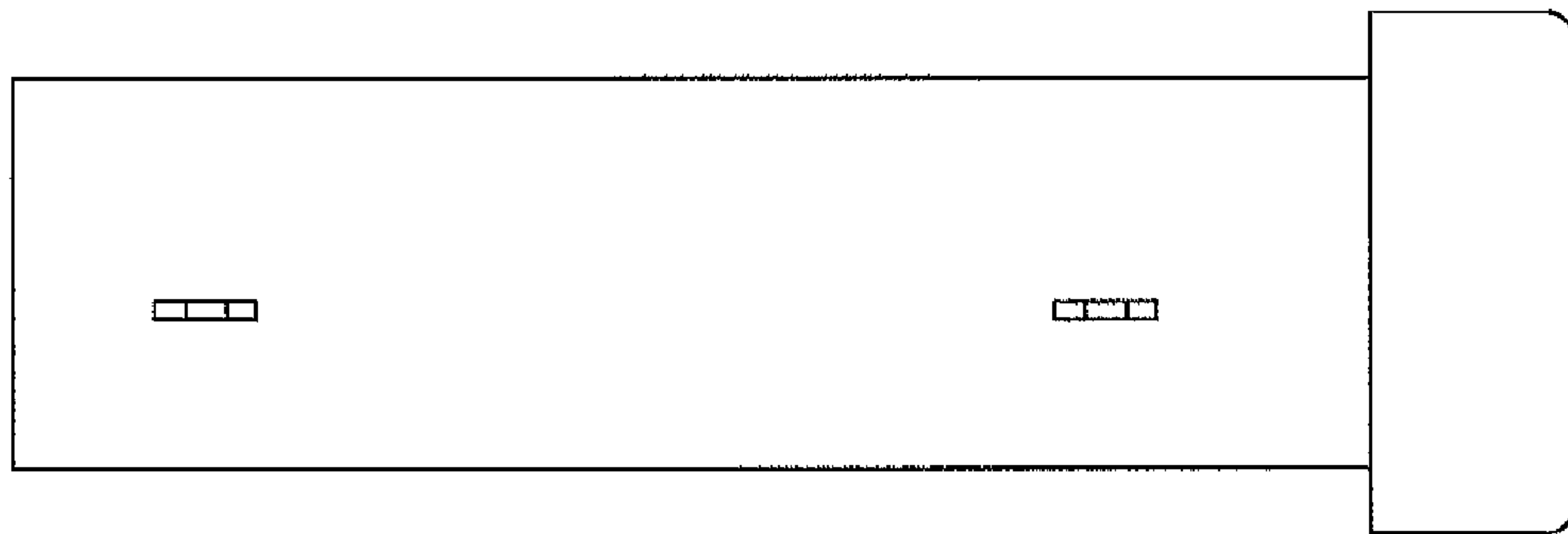


FIG. 7

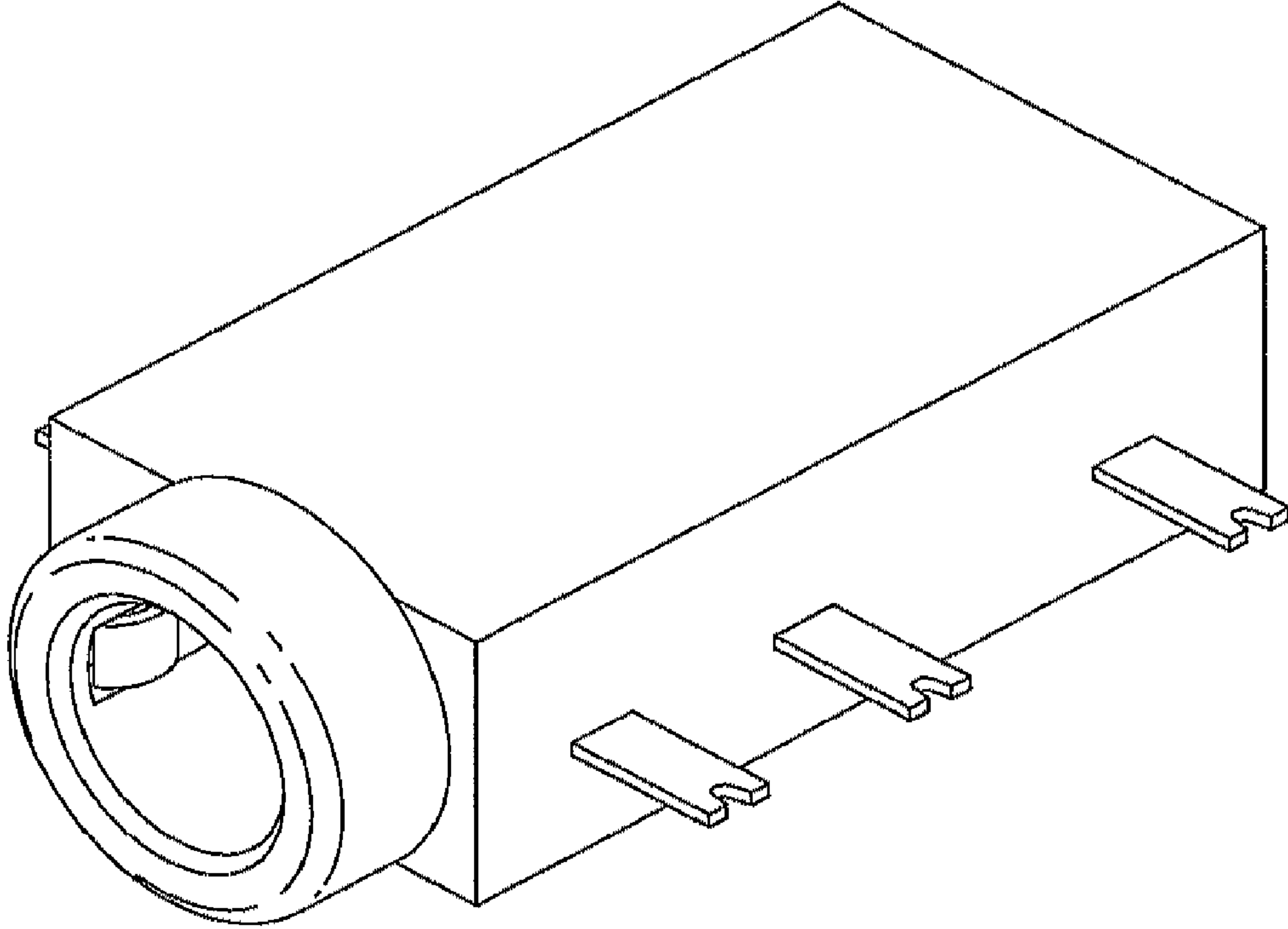




FIG. 8

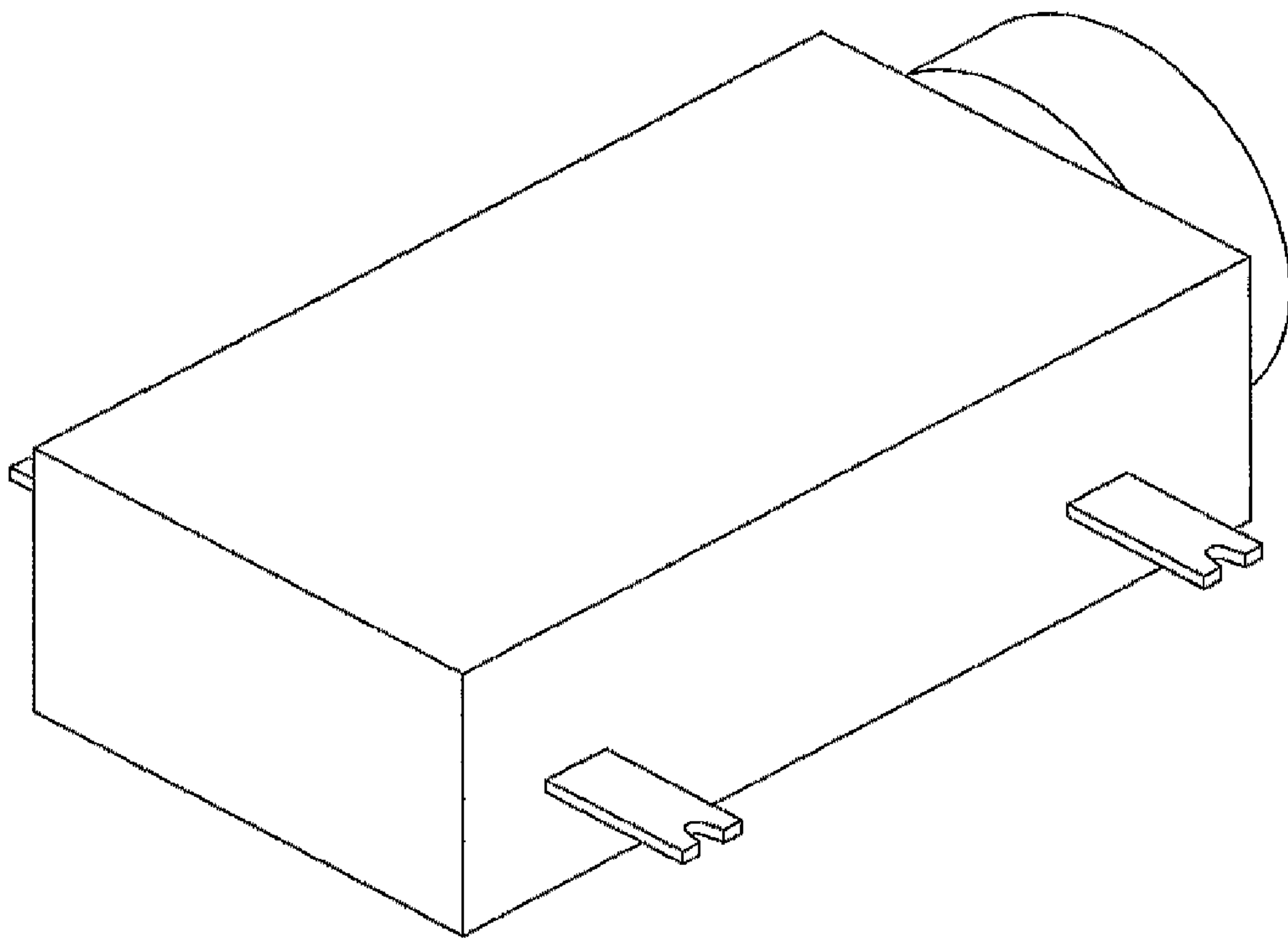


FIG. 9

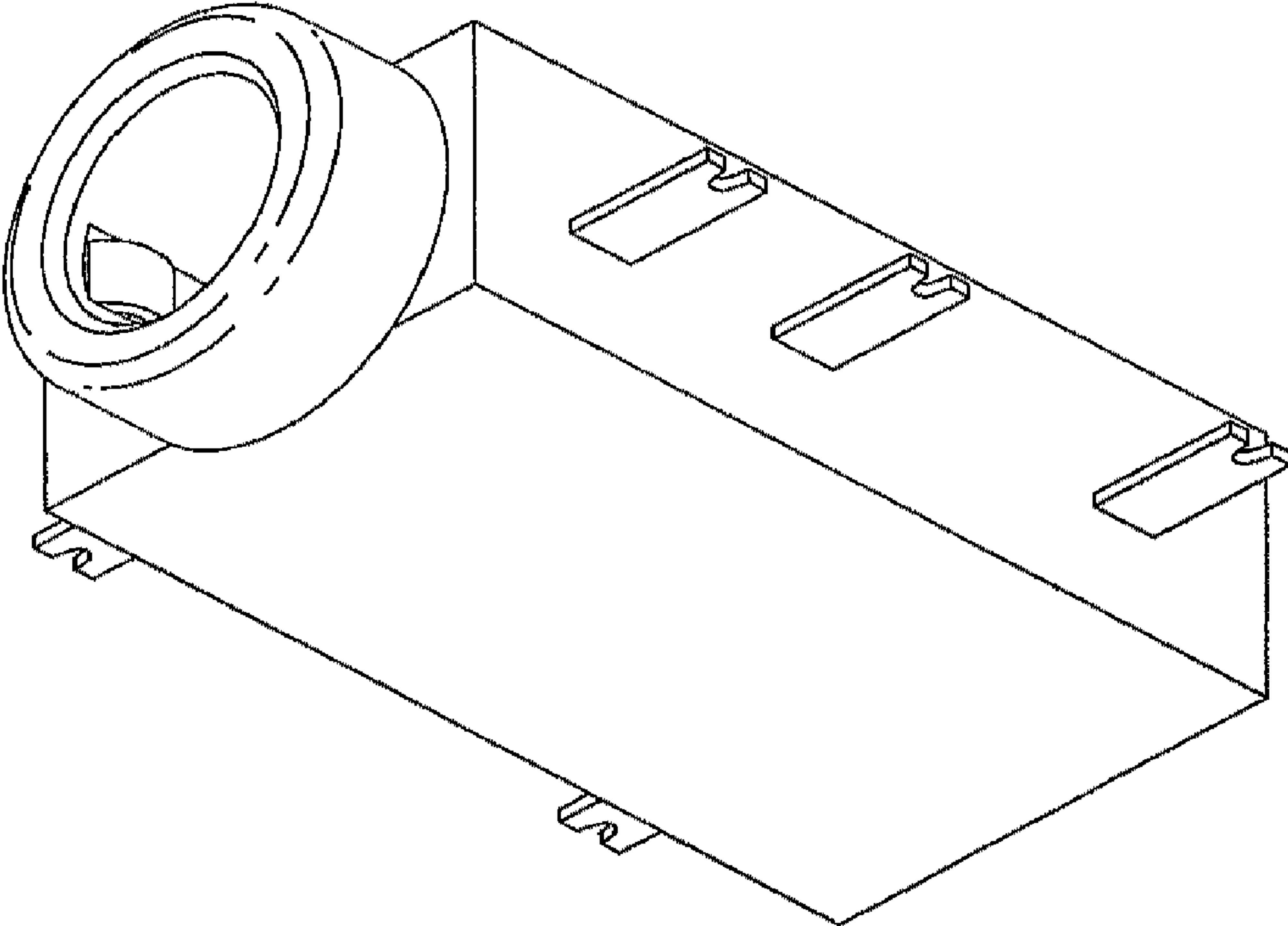
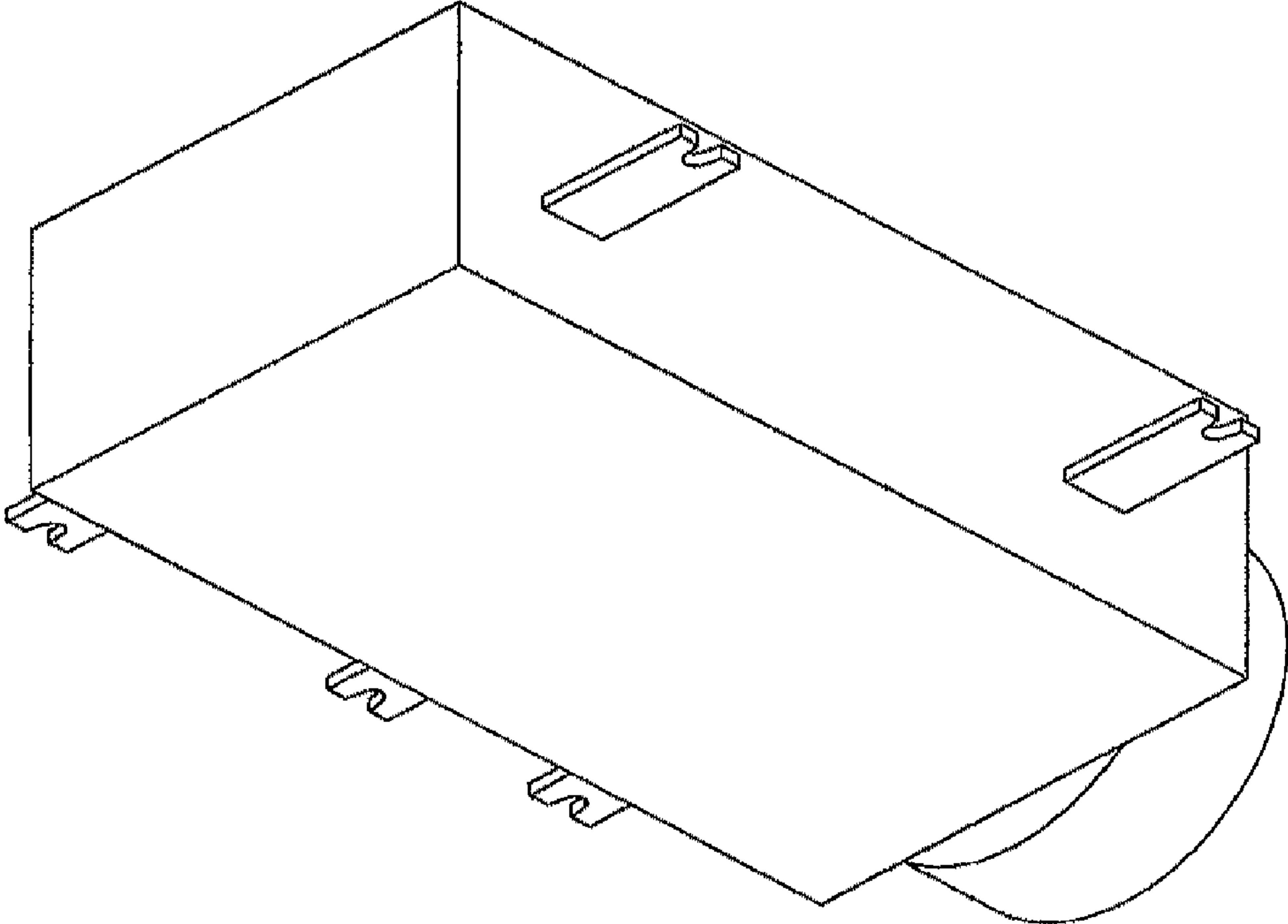


FIG. 10



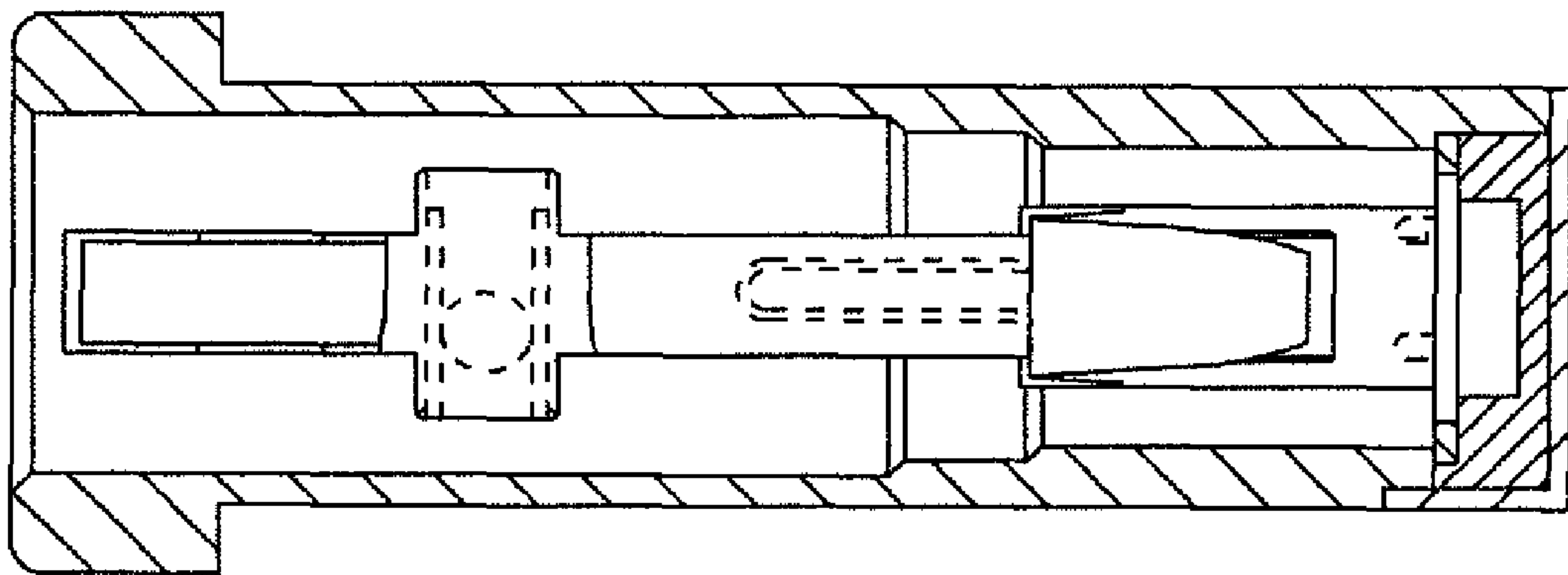


FIG.11

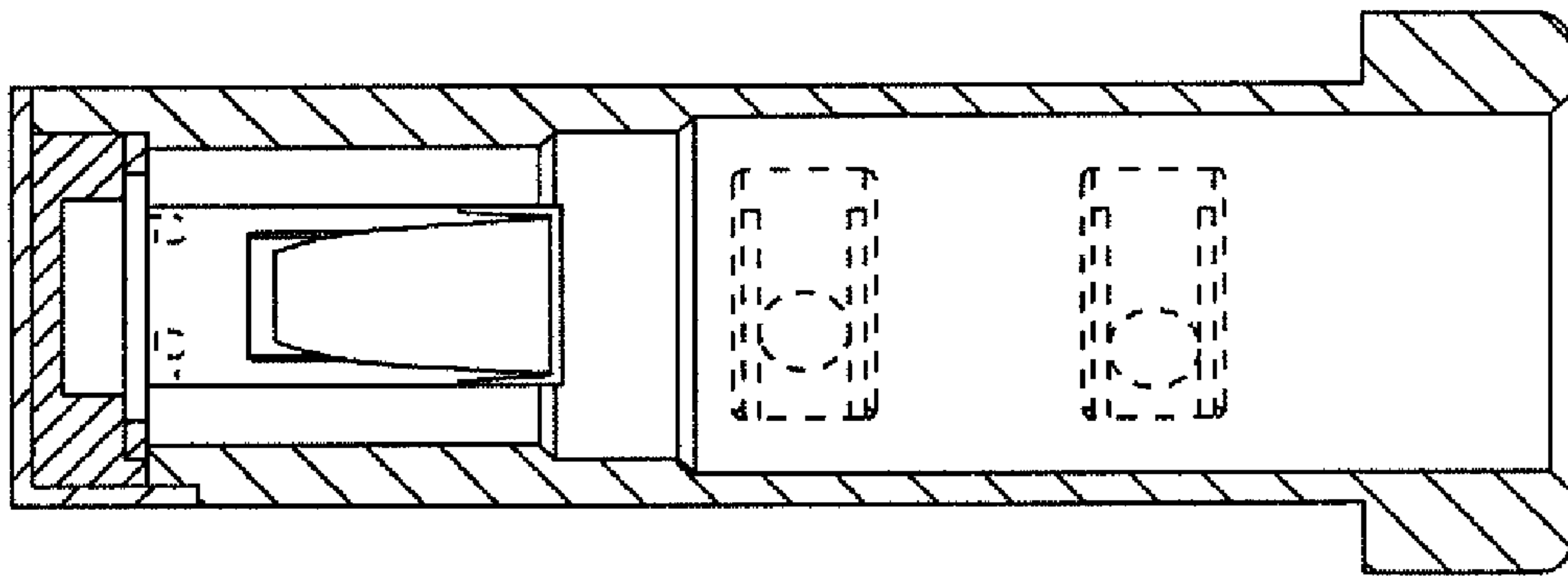


FIG.12

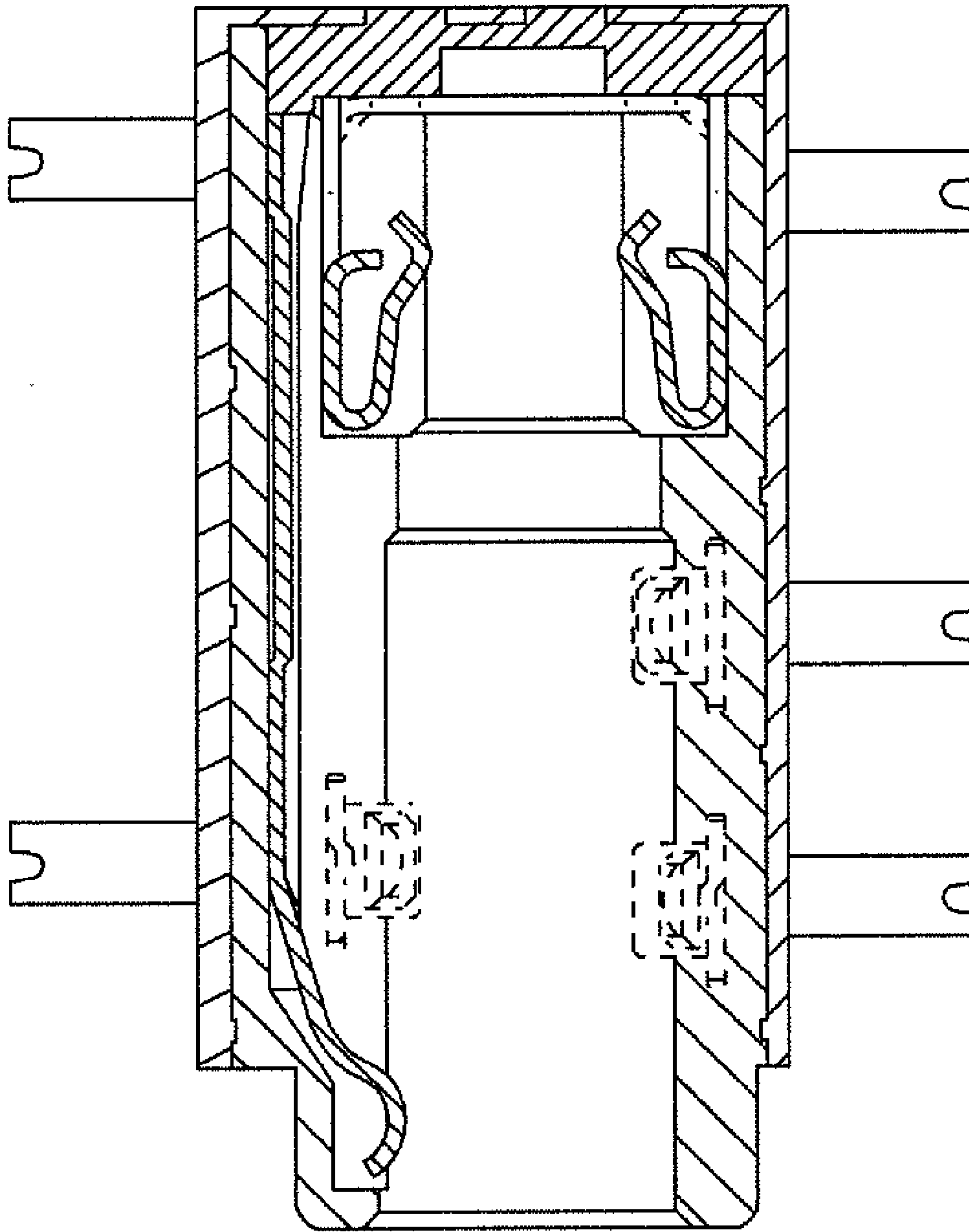


FIG.13

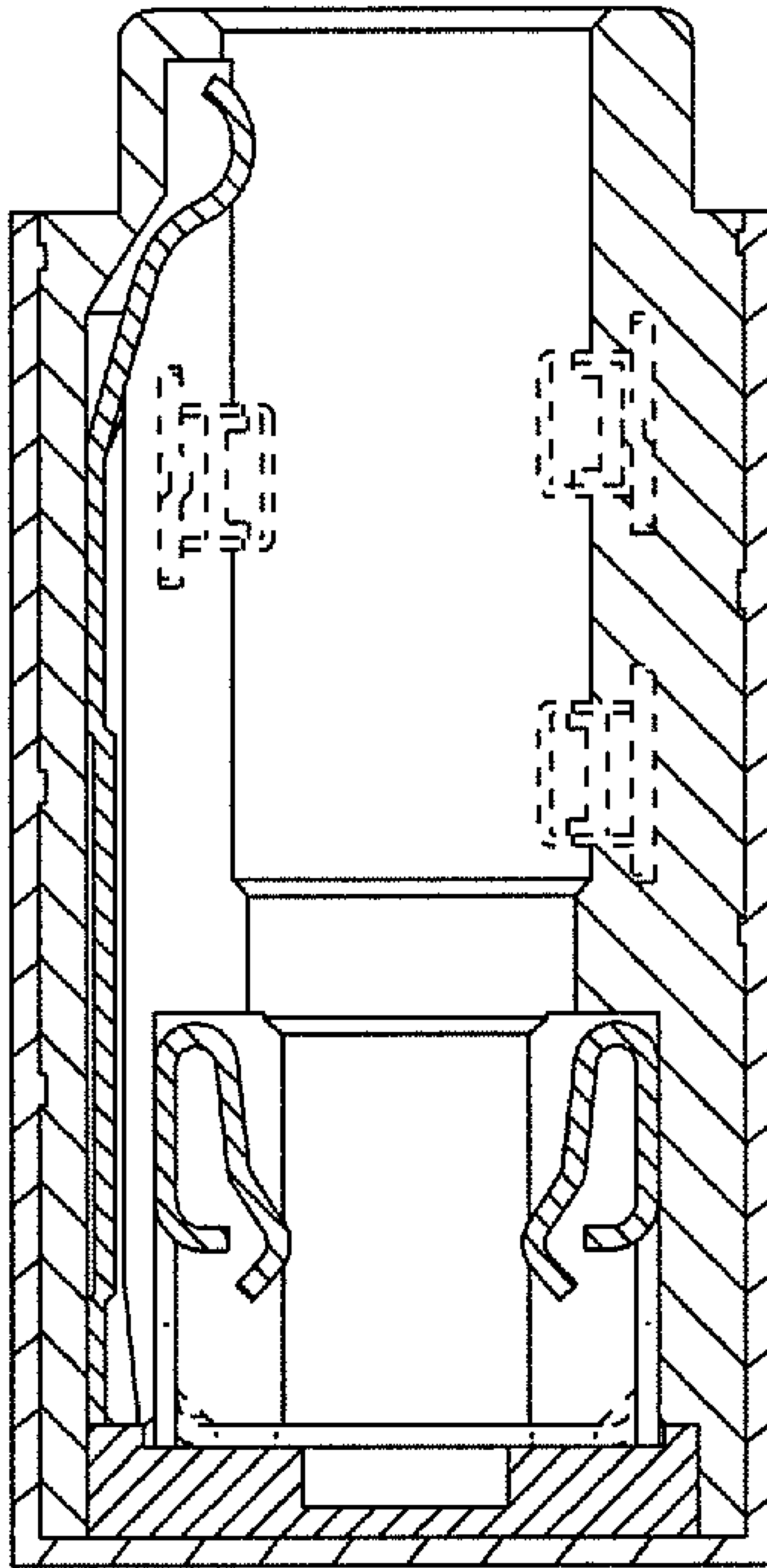


FIG.14