



US00D672716S

(12) **United States Design Patent**
Nagata

(10) **Patent No.:** **US D672,716 S**

(45) **Date of Patent:** **** Dec. 18, 2012**

(54) **ELECTRICAL CONNECTOR**

(75) Inventor: **Takayuki Nagata, Yao (JP)**

(73) Assignee: **Hosiden Corporation, Yao-shi (JP)**

(**) Term: **14 Years**

(21) Appl. No.: **29/415,063**

(22) Filed: **Mar. 7, 2012**

(30) **Foreign Application Priority Data**

Sep. 12, 2011 (JP) 2011-020661

(51) **LOC (9) Cl.** **13-03**

(52) **U.S. Cl.** **D13/133**

(58) **Field of Classification Search** D13/133,
D13/147, 154, 184; 439/188, 278, 374, 378,
439/380, 527, 533, 607.01, 607.04, 607.05,
439/607.17, 607.25, 607.34, 607.41, 607.53,
439/668, 540.1, 541.5, 660, 892, 894, 939

See application file for complete search history.

(56) **References Cited**

U.S. PATENT DOCUMENTS

| | | | | | | |
|----------|---|---|---------|-----------|-------|---------|
| D414,463 | S | * | 9/1999 | Wu | | D13/133 |
| D461,770 | S | * | 8/2002 | Ma et al. | | D13/133 |
| D470,107 | S | * | 2/2003 | Li et al. | | D13/133 |
| D507,531 | S | * | 7/2005 | Suzuki | | D13/133 |
| D533,504 | S | * | 12/2006 | Lee | | D13/133 |
| D533,835 | S | * | 12/2006 | Lee | | D13/133 |
| D534,494 | S | * | 1/2007 | Li | | D13/133 |
| D547,268 | S | * | 7/2007 | Sato | | D13/133 |
| D552,032 | S | * | 10/2007 | Peng | | D13/133 |
| D555,098 | S | * | 11/2007 | Wu et al. | | D13/133 |
| D617,271 | S | * | 6/2010 | Chiang | | D13/133 |
| D632,253 | S | * | 2/2011 | Su et al. | | D13/147 |

OTHER PUBLICATIONS

Notification for Reasons for Refusal received from the Japanese Patent Office in related application No. 2011-020661 dated Jun. 26, 2012 with English translation (7 pages).

* cited by examiner

Primary Examiner — Daniel Bui

(74) *Attorney, Agent, or Firm* — Kratz, Quintos & Hanson, LLP

(57) **CLAIM**

The ornamental design for an electrical connector, as shown and described.

DESCRIPTION

FIG. 1 is a front elevational view of an electrical connector showing my new invention.

FIG. 2 is a back elevational view thereof;

FIG. 3 is a top plan view thereof;

FIG. 4 is a bottom plan view thereof;

FIG. 5 is a right side elevational view thereof;

FIG. 6 is a left side elevational view thereof;

FIG. 7 is a top, front, and right side perspective view thereof;

FIG. 8 is a top, back, and left side perspective view thereof;

FIG. 9 is a bottom, front, and right side perspective view thereof;

FIG. 10 is a bottom, back and left side perspective view thereof;

FIG. 11 is a cross-sectional view thereof, taken along the line 11-11 of FIG. 1;

FIG. 12 is a cross-sectional view thereof, taken along the line 12-12 of FIG. 1;

FIG. 13 is a cross-sectional view thereof, taken along the line 13-13 of FIG. 1; and,

FIG. 14 is a cross-sectional view thereof, taken along the line 14-14 of FIG. 1.

The broken line portion of the figure drawings is included to show unclaimed subject matter only and forms no part of the claimed description.

1 Claim, 14 Drawing Sheets

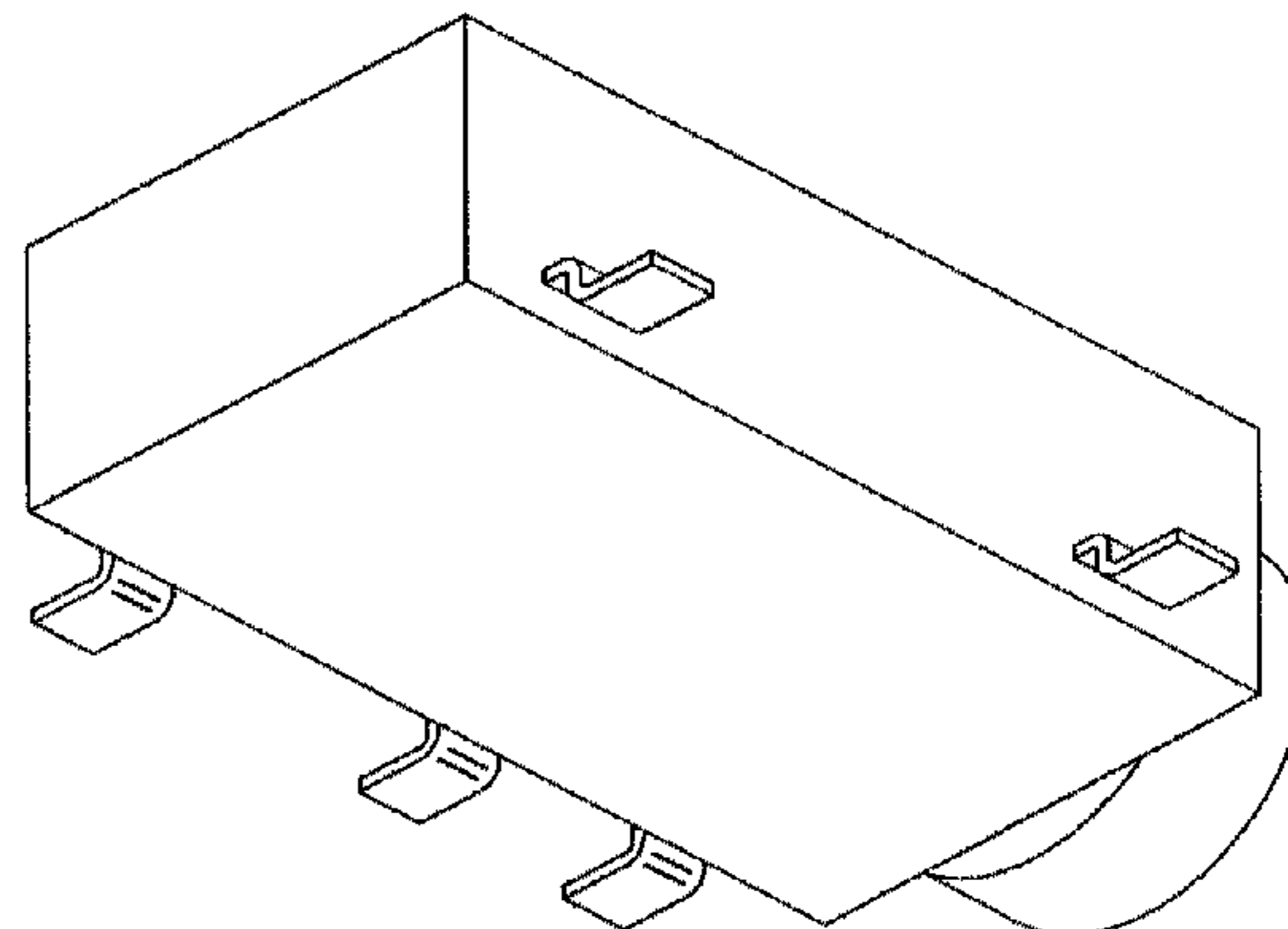
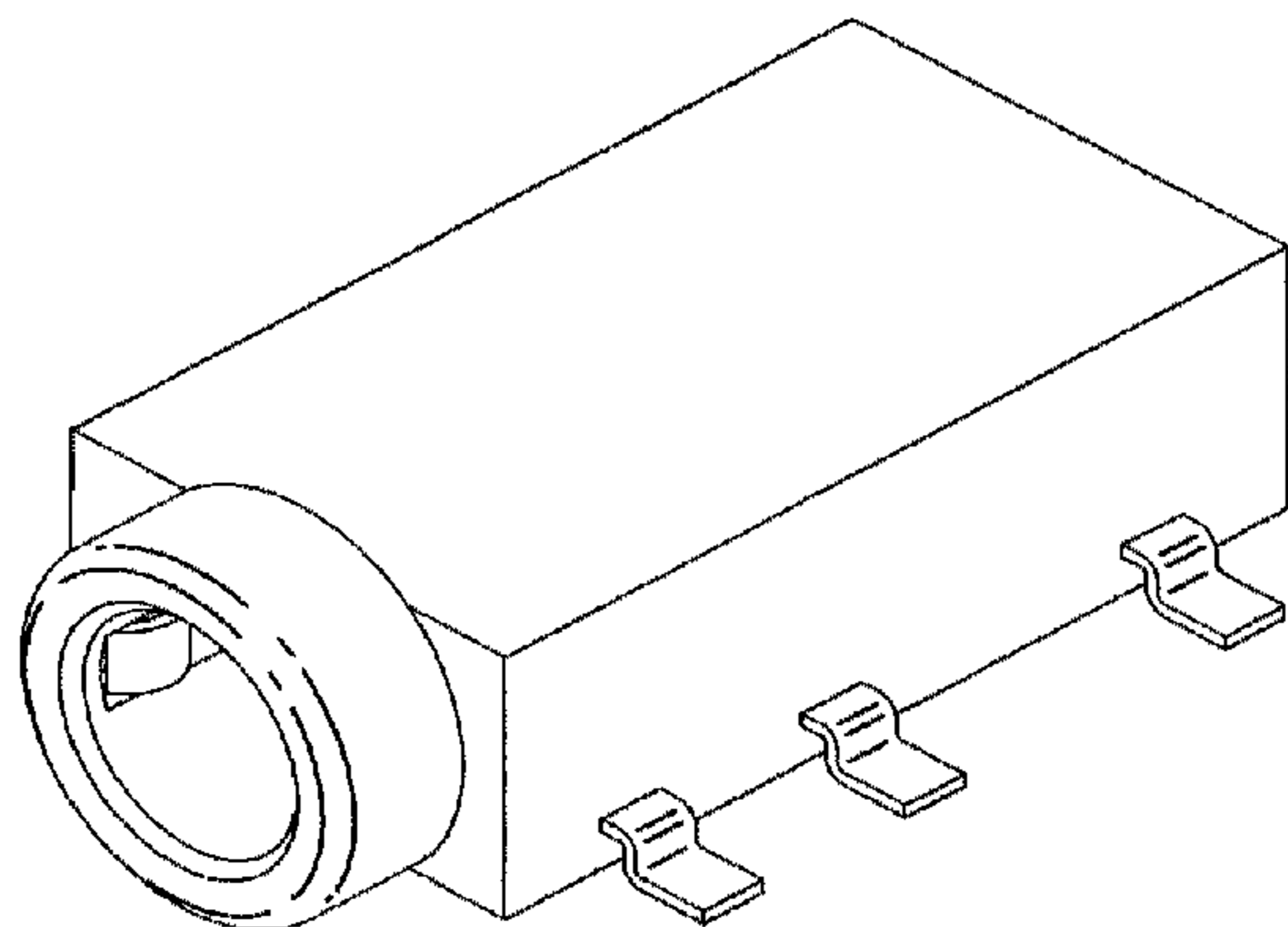


FIG. 1

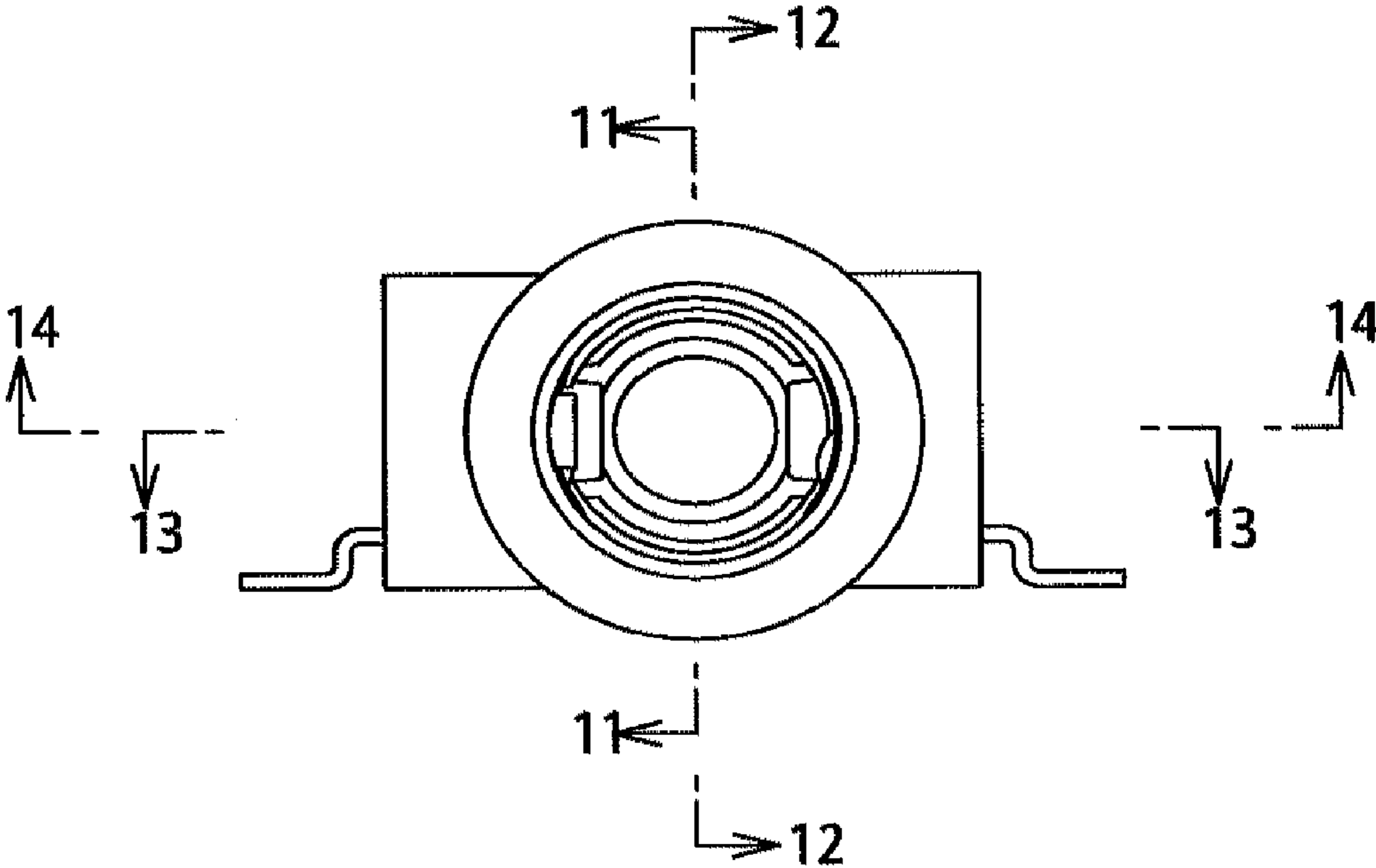


FIG. 2

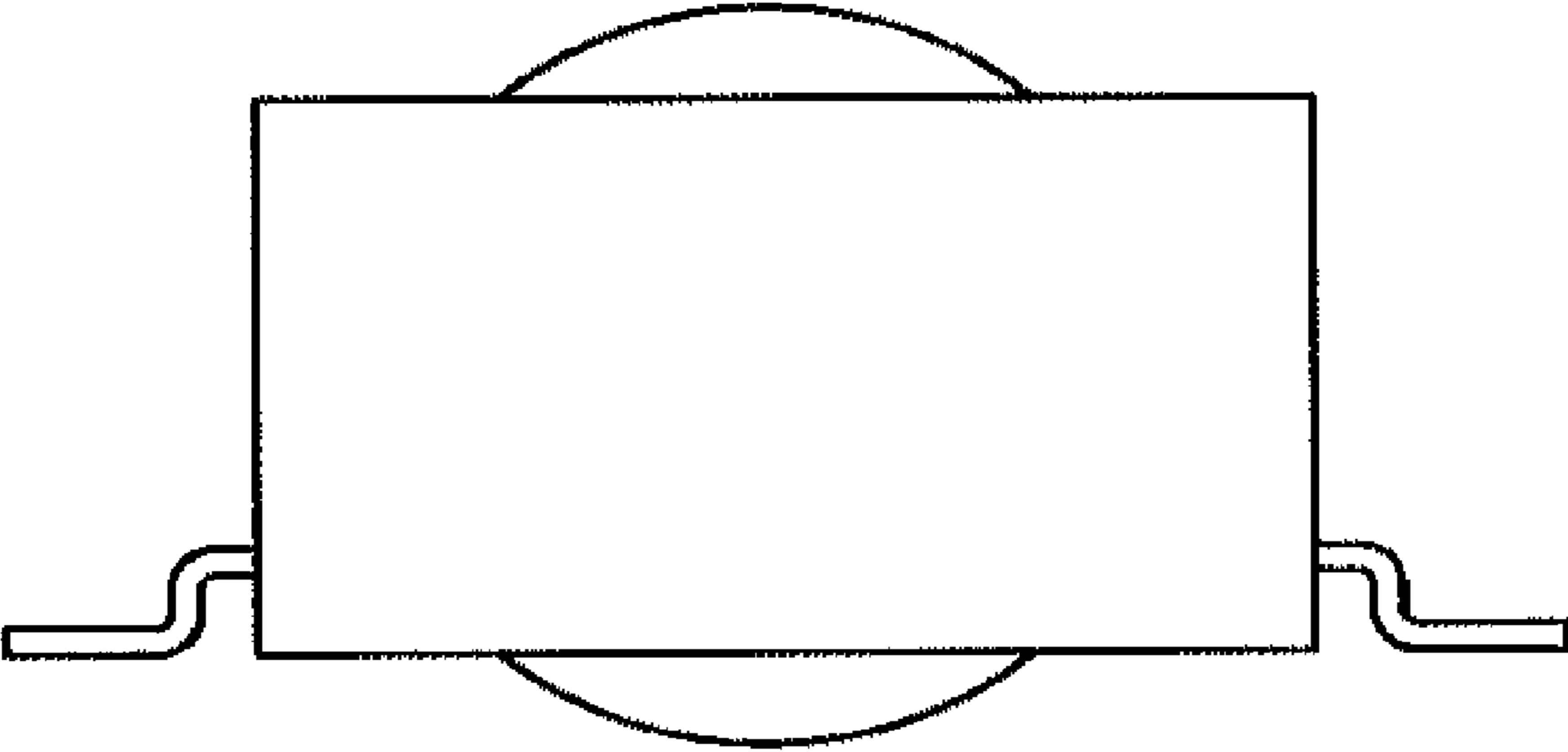


FIG. 3

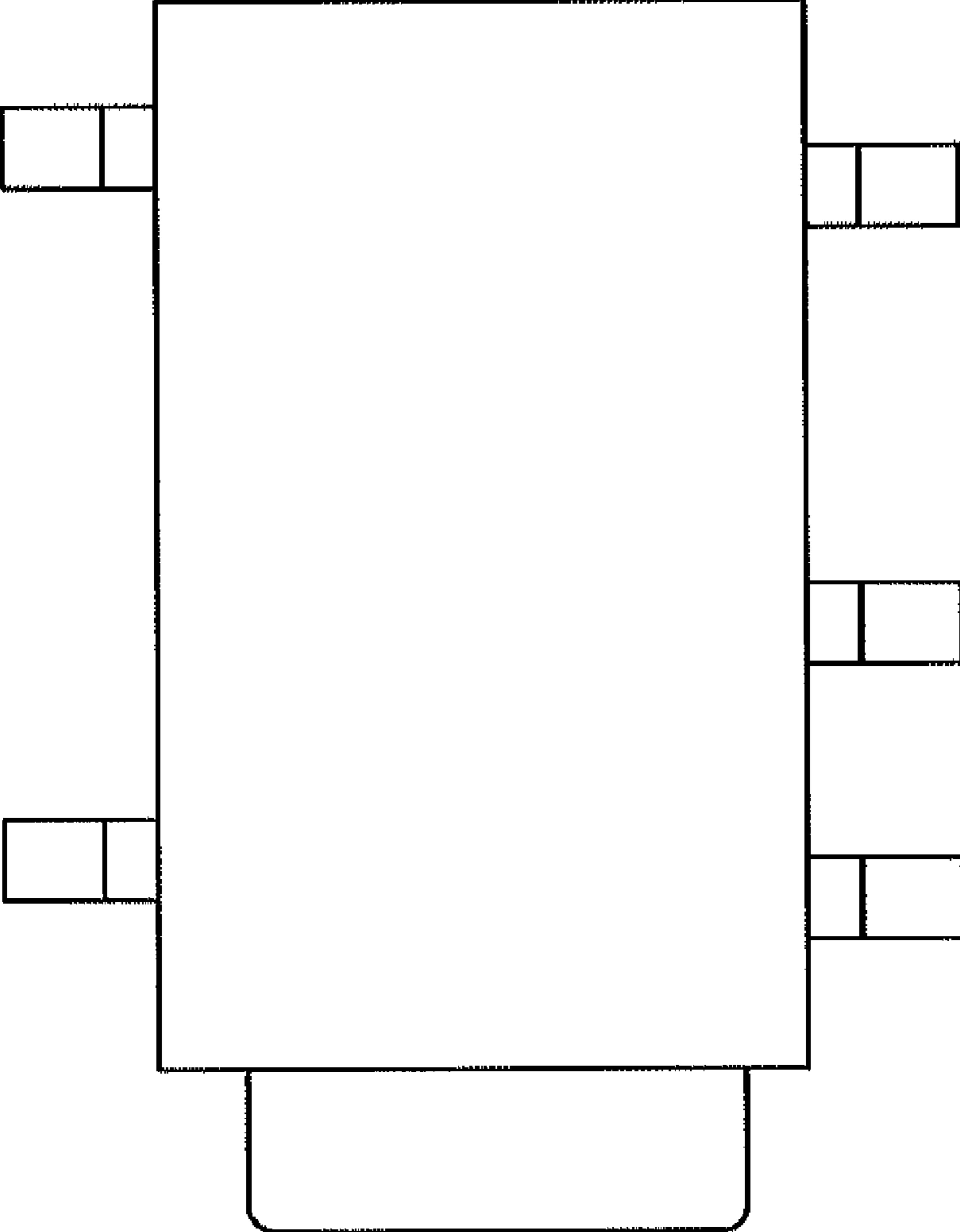


FIG. 4

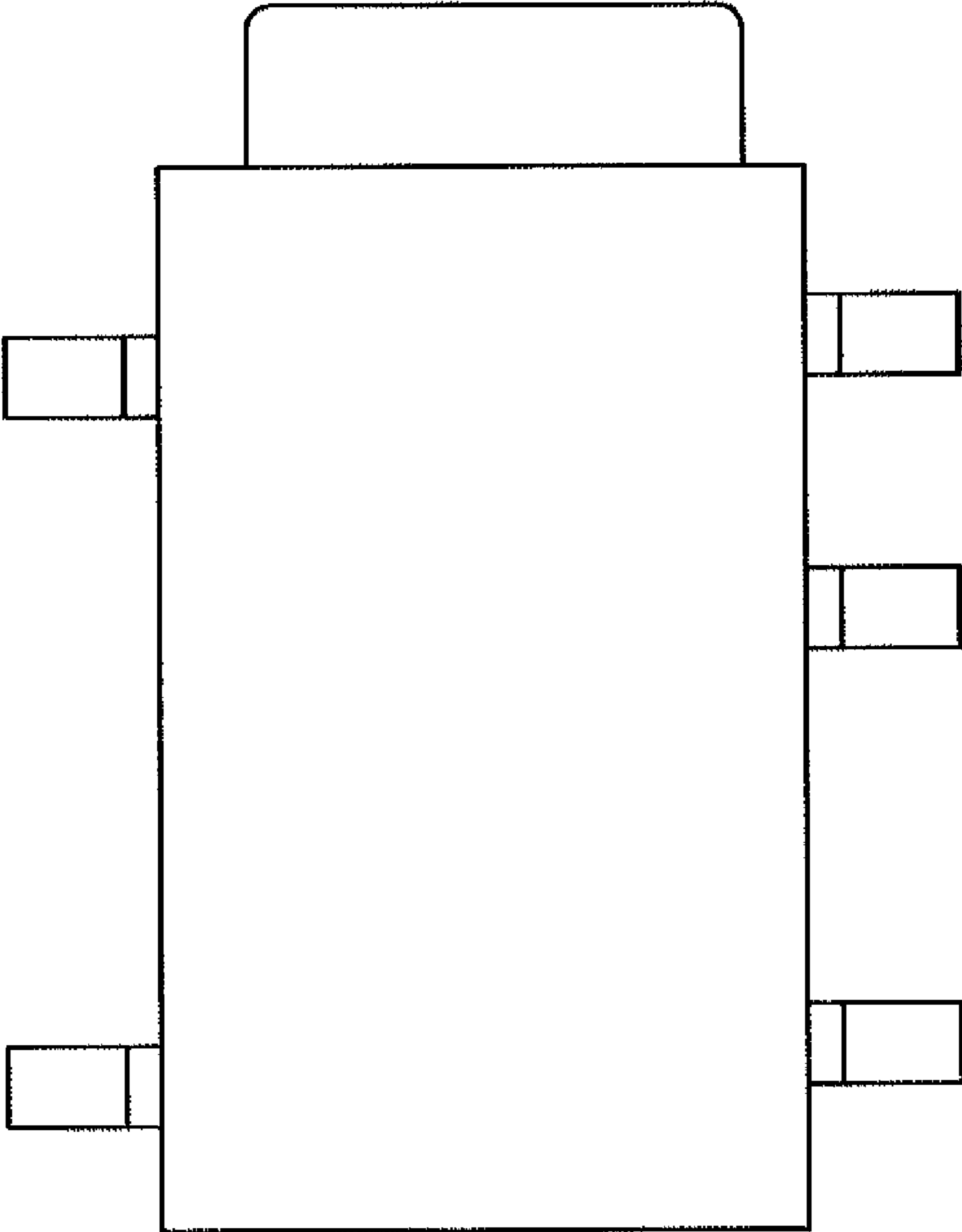


FIG. 5

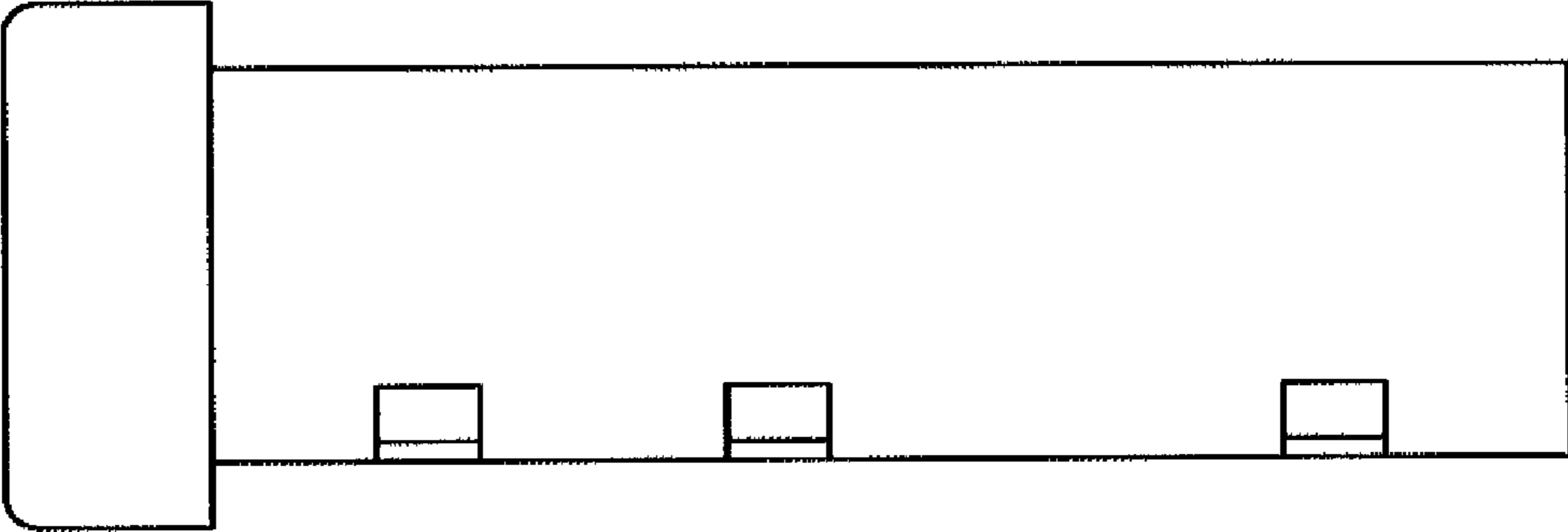


FIG. 6

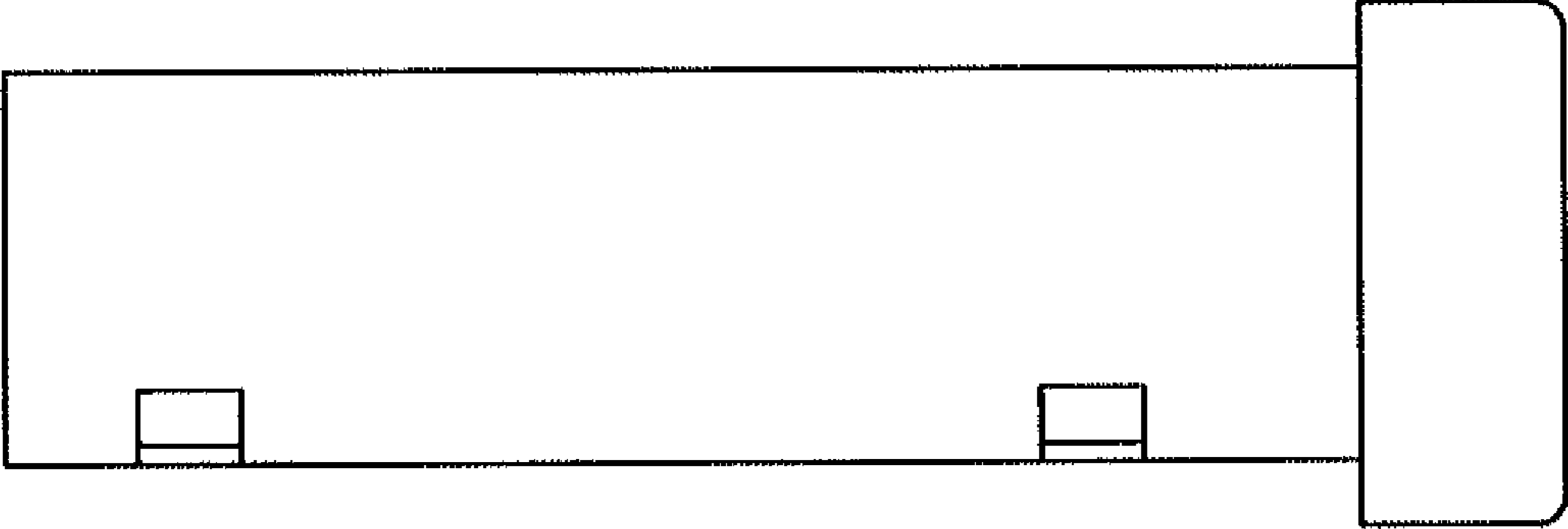


FIG. 7

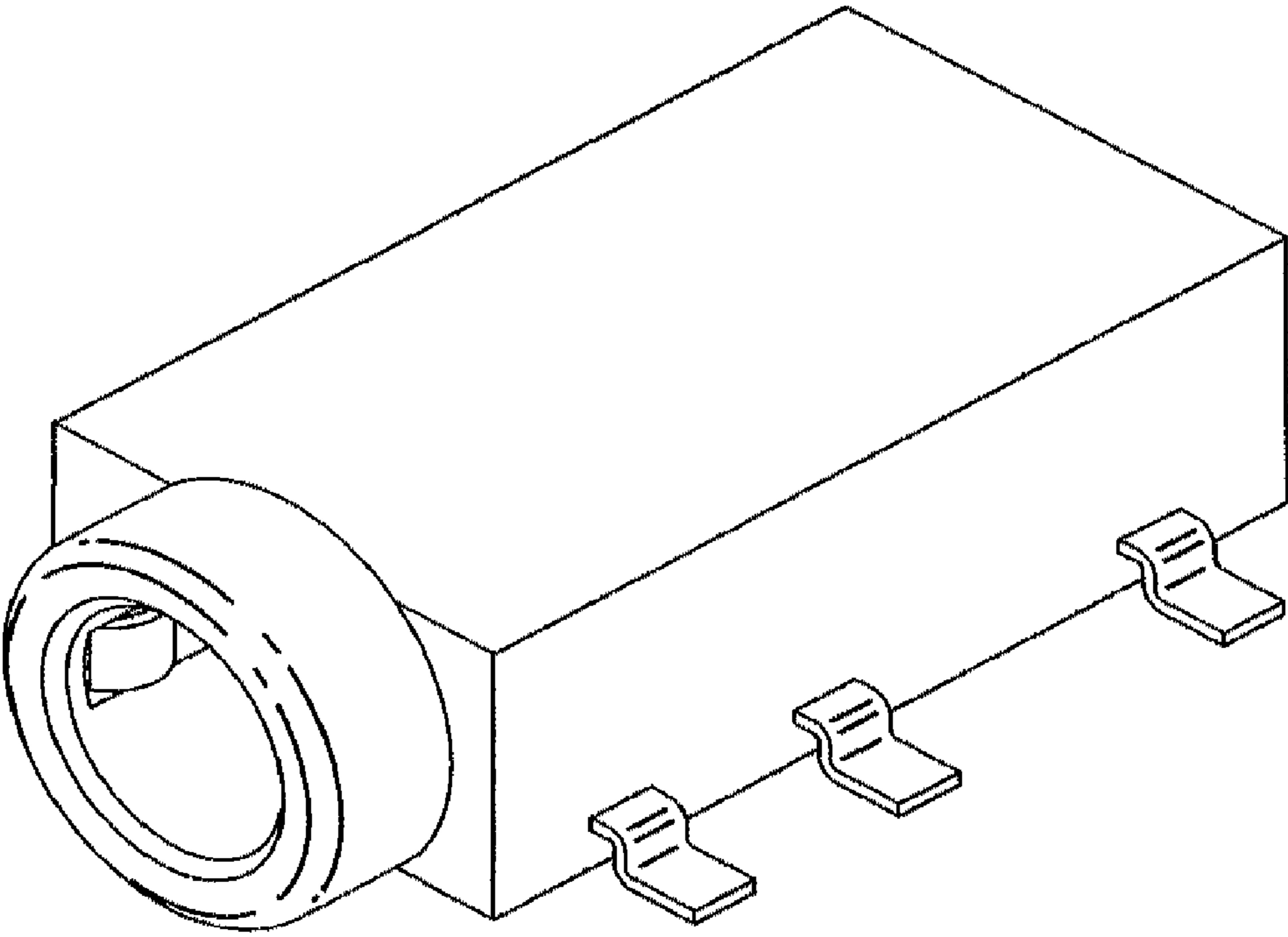


FIG. 8

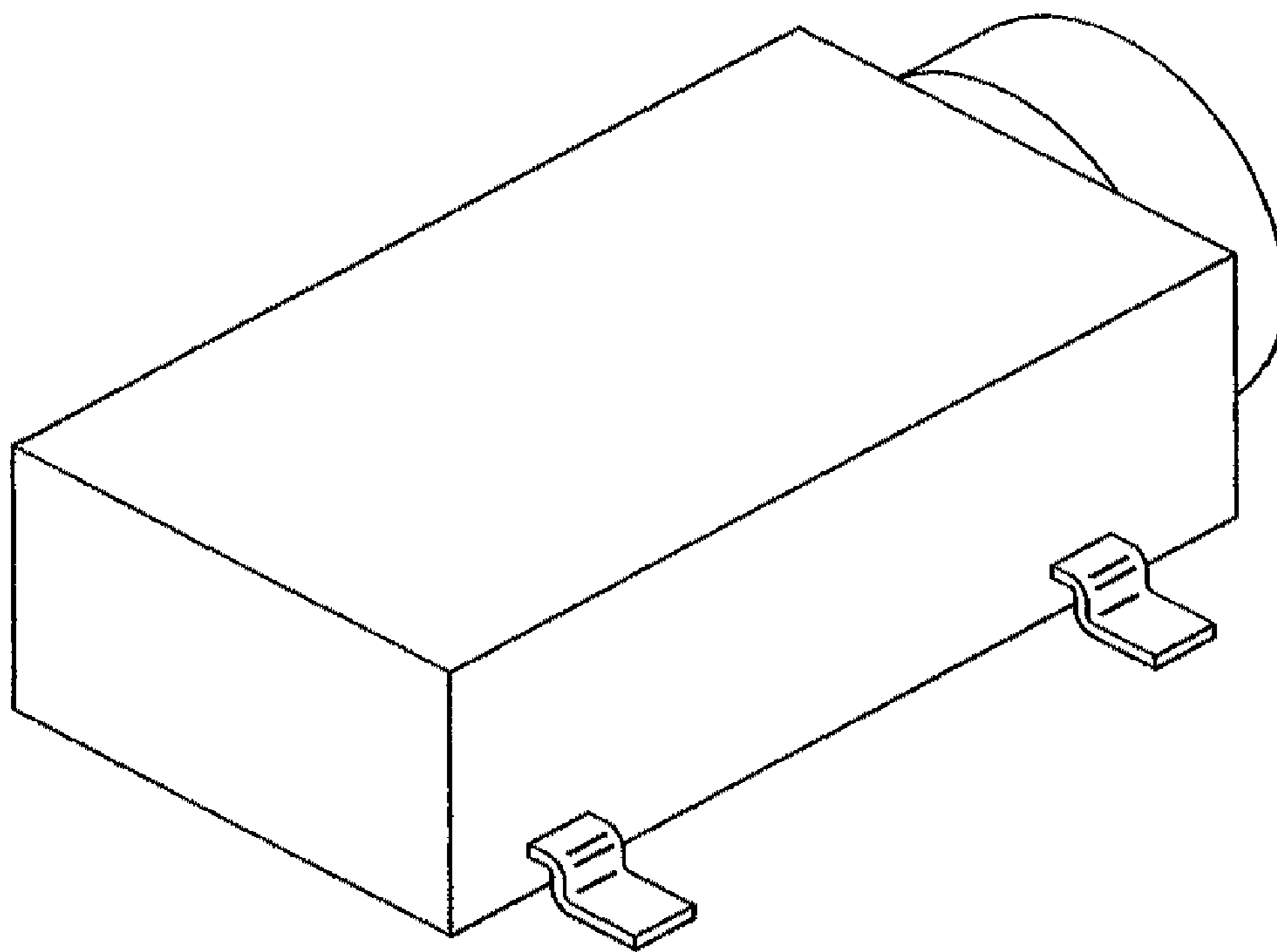


FIG. 9

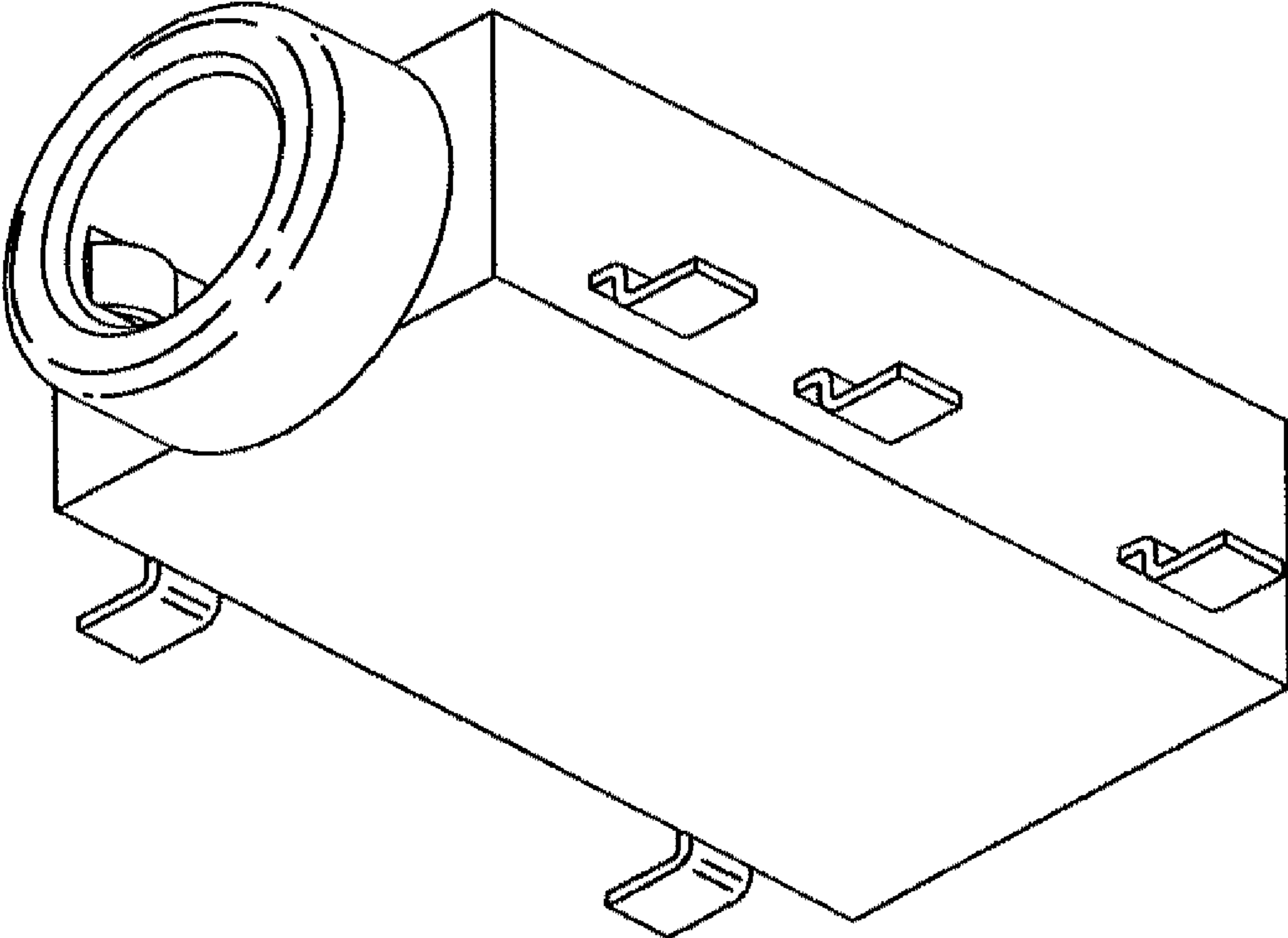
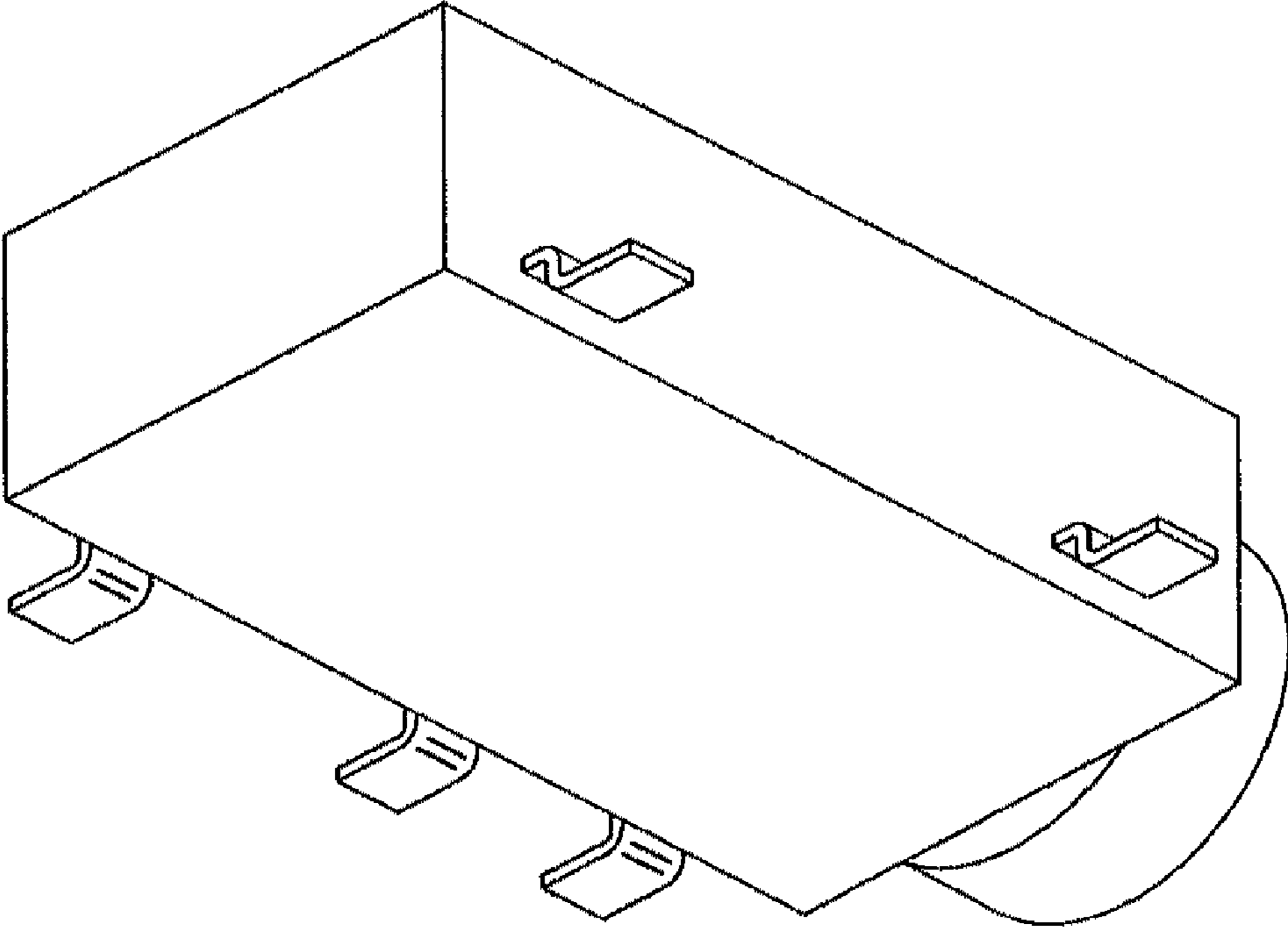


FIG. 10



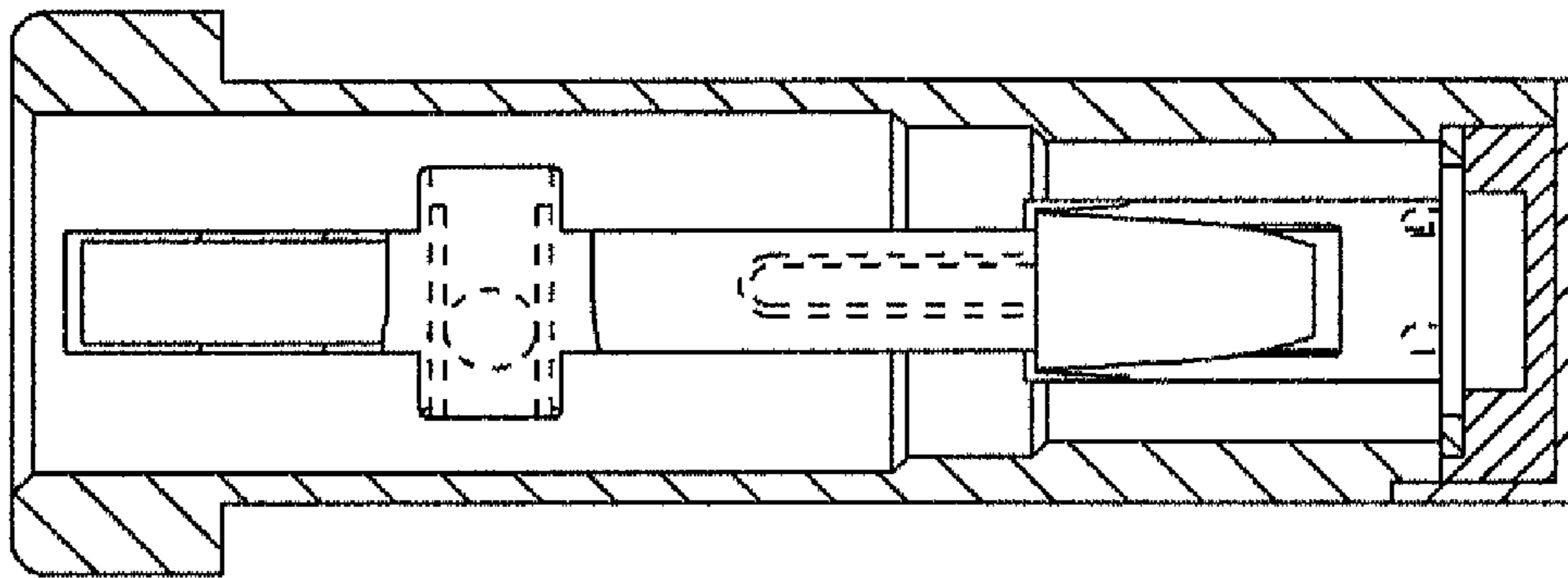


FIG.11

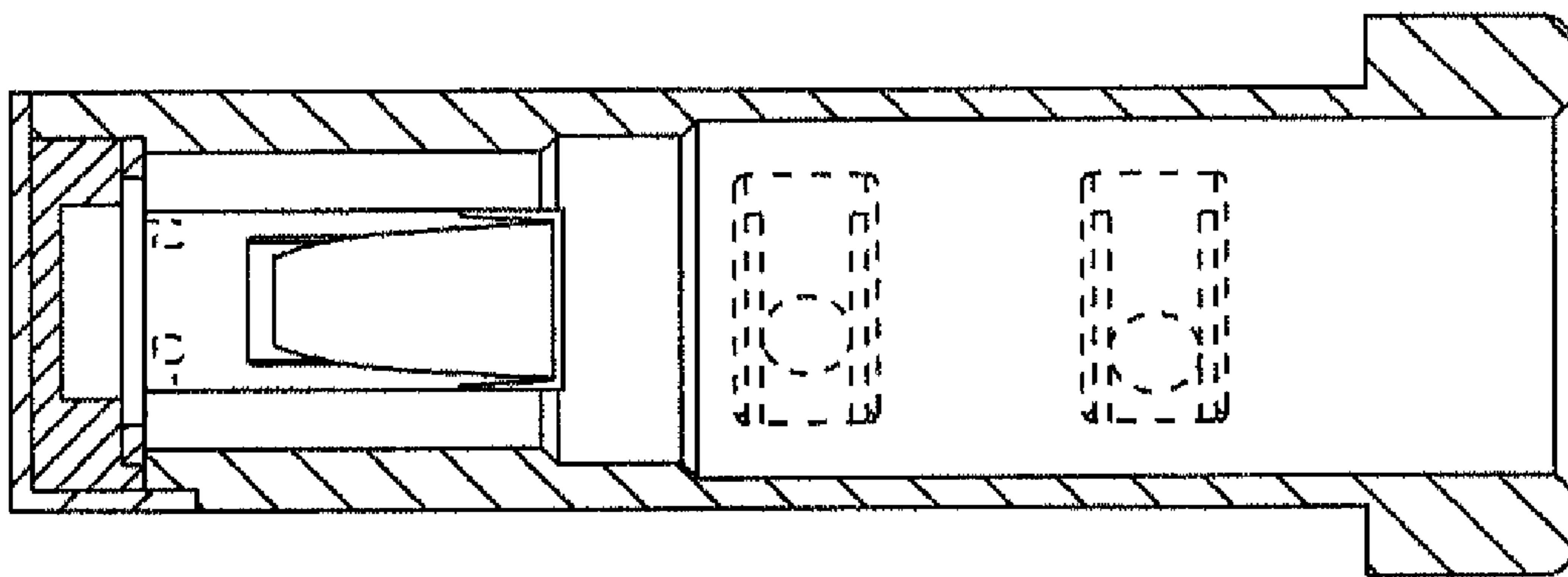


FIG.12

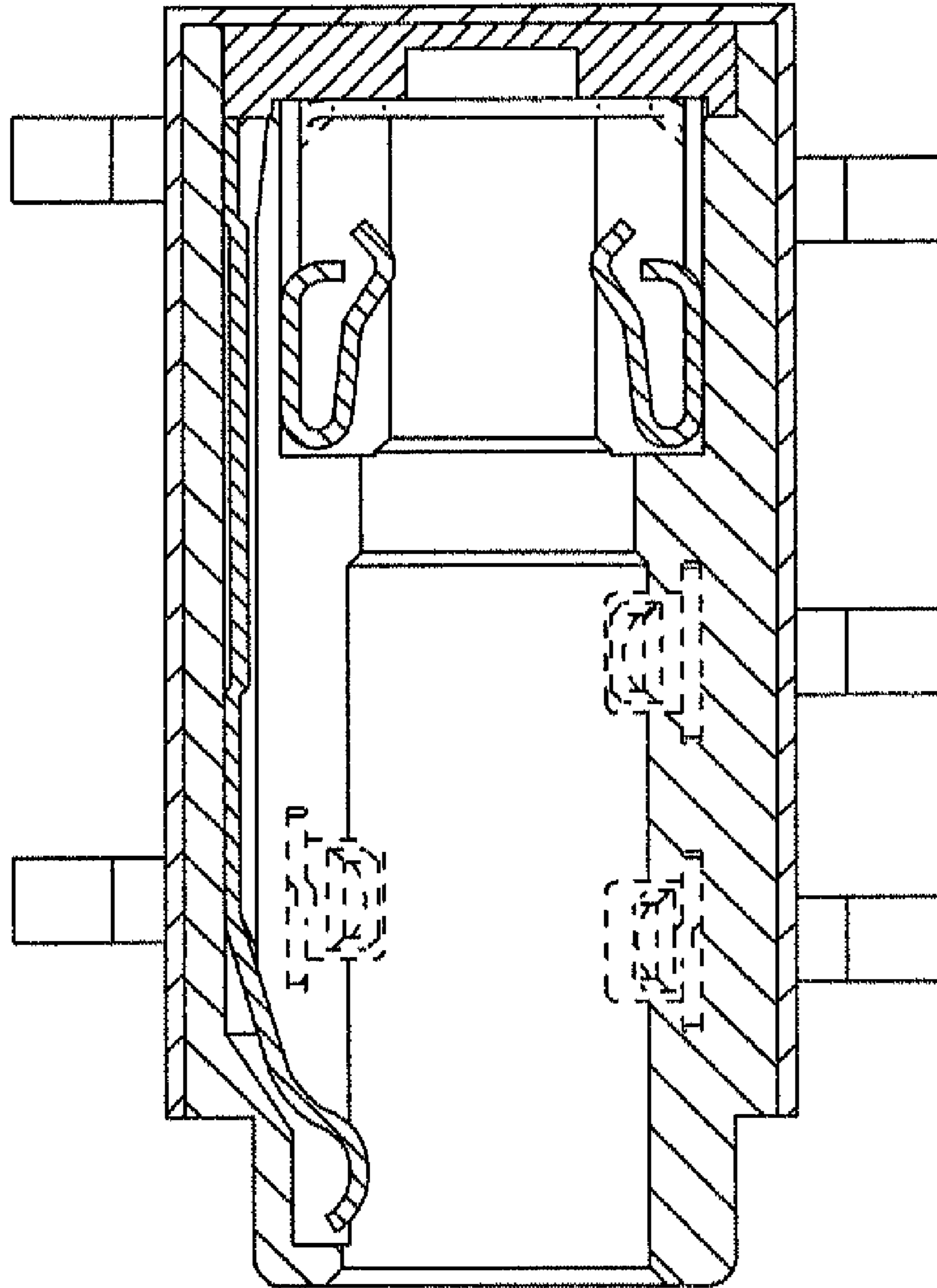


FIG. 13

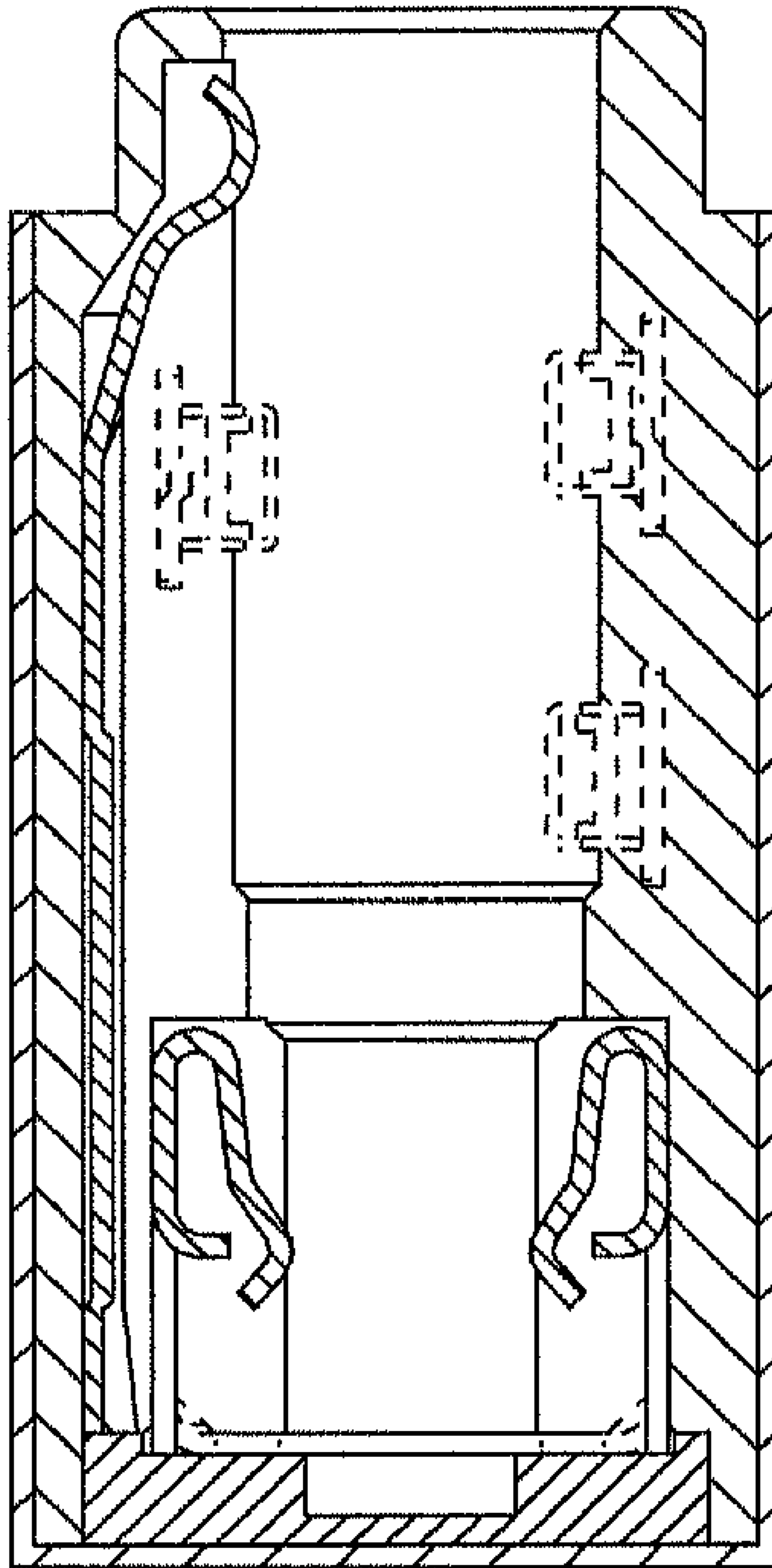


FIG. 14