



US00D672713S

(12) **United States Design Patent**  
**Masui**

(10) **Patent No.:** **US D672,713 S**  
(45) **Date of Patent:** **\*\* Dec. 18, 2012**

(54) **BATTERY**

(75) Inventor: **Kirio Masui**, Tokyo (JP)

(73) Assignee: **Sony Corporation**, Tokyo (JP)

(\*\*) Term: **14 Years**

(21) Appl. No.: **29/371,864**

(22) Filed: **Nov. 4, 2011**

**Related U.S. Application Data**

(63) Continuation of application No. 29/371,466, filed on Mar. 9, 2011, now Pat. No. Des. 655,673.

(30) **Foreign Application Priority Data**

Dec. 10, 2010 (JP) ..... D2010-029434

(51) **LOC (9) Cl.** ..... **13-02**

(52) **U.S. Cl.** ..... **D13/103**

(58) **Field of Classification Search** ..... D13/102-106,  
D13/110, 118-119, 184; 429/96-100, 163,  
429/176

See application file for complete search history.

(56) **References Cited**

**U.S. PATENT DOCUMENTS**

D269,868 S *	7/1983	Seltzer et al. ....	D13/119
D303,524 S *	9/1989	Siegner et al. ....	D14/438
D320,649 S	10/1991	Fleming	
D348,046 S *	6/1994	Hulsebus .....	D13/119
D356,992 S *	4/1995	Dilgard .....	D13/103
D409,973 S *	5/1999	Iwamoto et al. ....	D13/103
D422,263 S *	4/2000	Waldner .....	D13/103
D440,201 S	4/2001	Huynh et al.	
D442,549 S	5/2001	Sasaoka	
6,284,406 B1 *	9/2001	Xing et al. ....	429/96
D471,558 S	3/2003	Wada	

D478,866 S	8/2003	Nakai	
D479,192 S	9/2003	Fujihara et al.	
D479,193 S	9/2003	Fujihara et al.	
D484,095 S	12/2003	Stacey	
D485,530 S *	1/2004	Ogasawara .....	D13/103
D494,924 S *	8/2004	Maruyama .....	D13/103
D532,363 S *	11/2006	Morisawa .....	D13/103
D539,277 S	3/2007	Okada et al.	
D625,263 S	10/2010	Takuma	
D630,162 S	1/2011	Bullen	
D637,157 S *	5/2011	Andre et al. ....	D13/119
D642,515 S	8/2011	Crawford et al.	
D643,363 S *	8/2011	Wigmore .....	D13/102
D655,673 S *	3/2012	Masui .....	D13/103
D658,583 S *	5/2012	Andre et al. ....	D13/119
2012/0052355 A1 *	3/2012	Chiang et al. ....	429/96

**FOREIGN PATENT DOCUMENTS**

JP	D1104695 S	3/2001
JP	D1231992 S	3/2005
JP	D1233260 S	3/2005

\* cited by examiner

*Primary Examiner* — Rosemary K Tarcza

(74) *Attorney, Agent, or Firm* — Rader, Fishman & Grauer PLLC

(57) **CLAIM**

The ornamental design for a battery, as shown.

**DESCRIPTION**

FIG. 1 is a perspective view of a battery showing my new design;

FIG. 2 is a front elevational view thereof;

FIG. 3 is a rear elevational view thereof;

FIG. 4 is a left side elevational view thereof;

FIG. 5 is a right side elevational view thereof; and

FIG. 6 is a top plan view thereof; and,

FIG. 7 is a bottom plan view thereof.

**1 Claim, 5 Drawing Sheets**

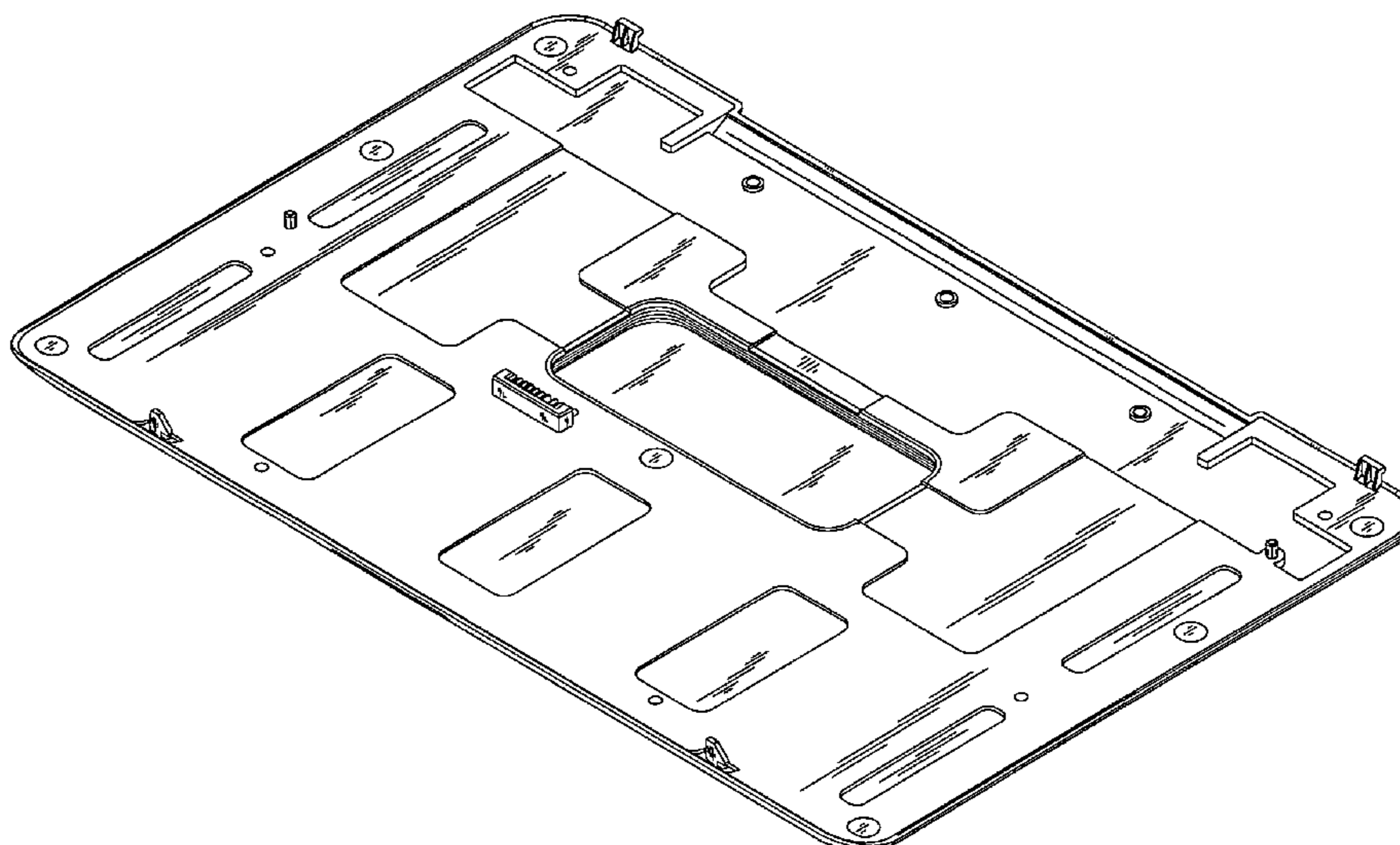


FIG.1

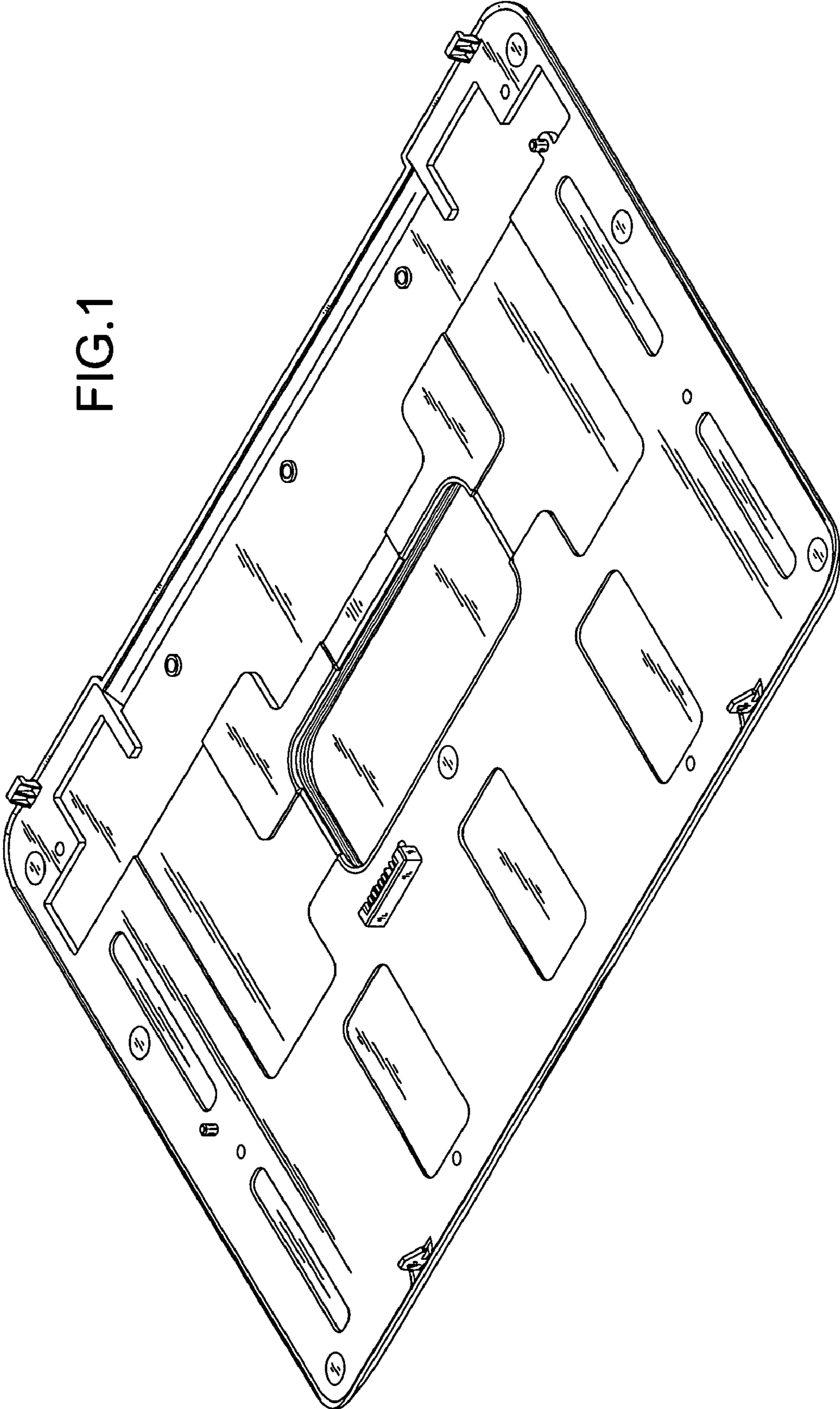


FIG.2

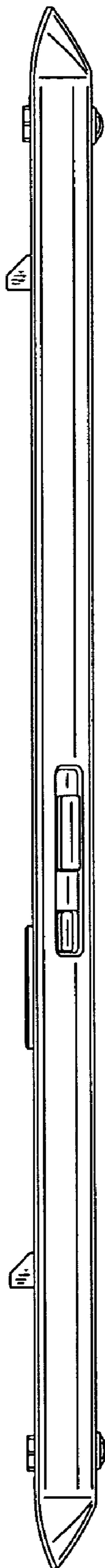


FIG.3

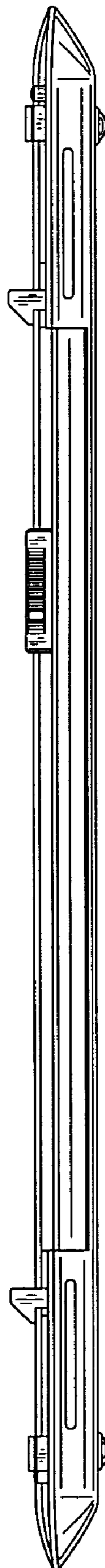


FIG.4

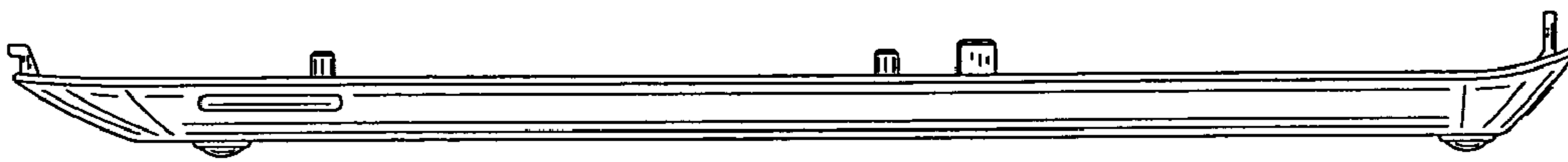


FIG.5

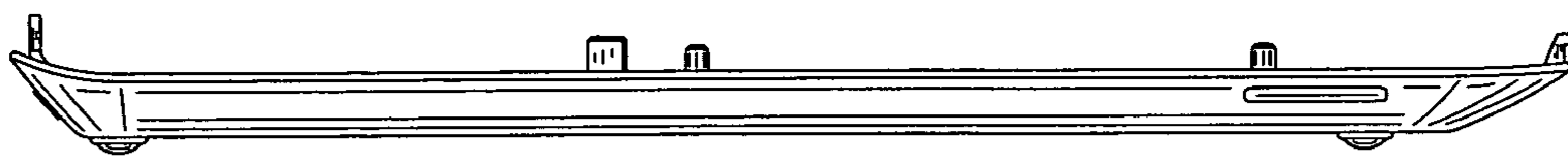


FIG. 6

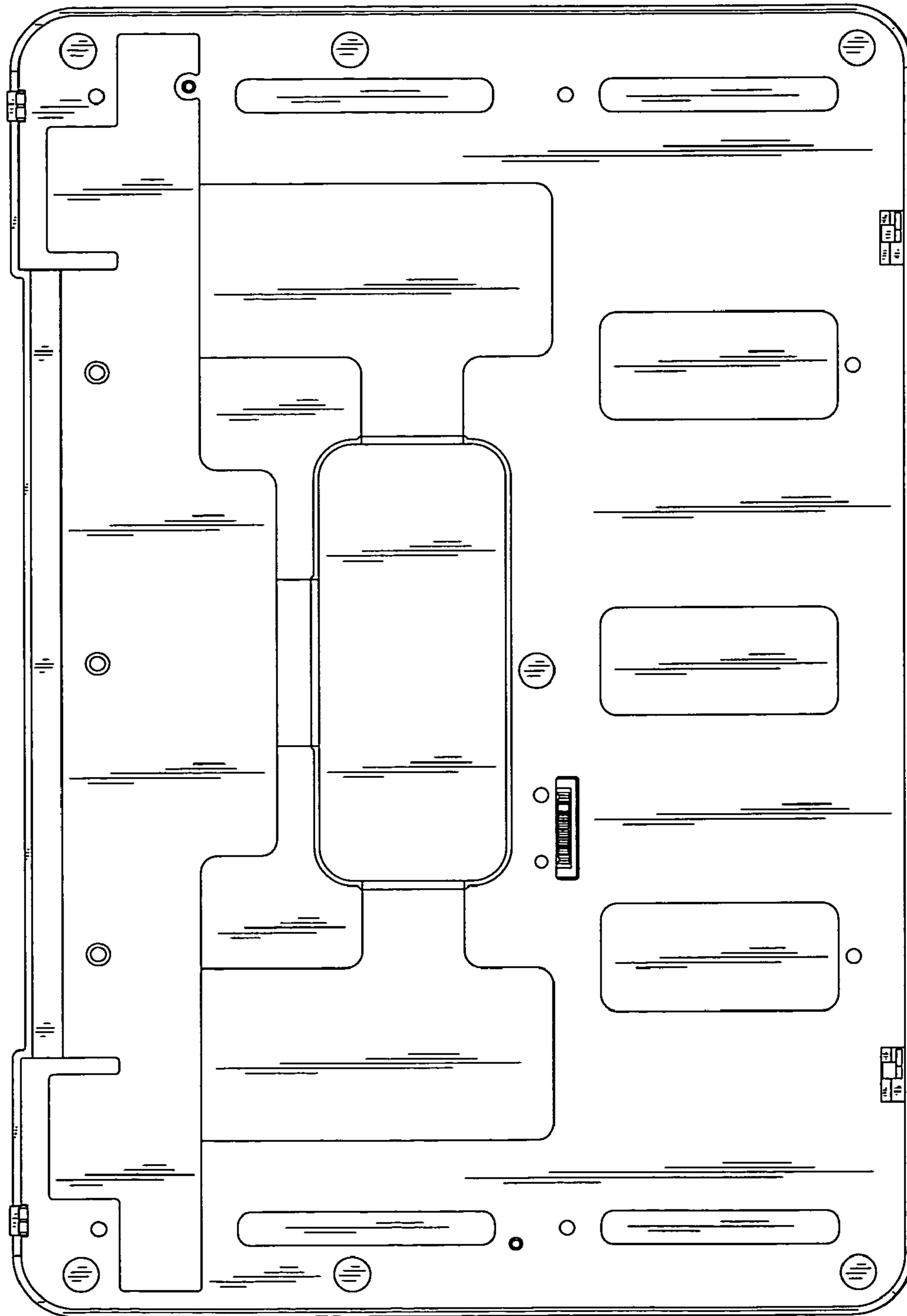


FIG. 7

