



US00D672712S

(12) **United States Design Patent**
Hartman

(10) **Patent No.:** **US D672,712 S**

(45) **Date of Patent:** **** Dec. 18, 2012**

(54) **SOLAR POWERED CONTROLLER**

(76) Inventor: **Reinoud Jacob Hartman**, Nanaimo
(CA)

(**) Term: **14 Years**

(21) Appl. No.: **29/428,145**

(22) Filed: **Jul. 26, 2012**

(51) **LOC (9) Cl.** **13-02**

(52) **U.S. Cl.** **D13/102**

(58) **Field of Classification Search** D13/102,
D13/101, 103, 107, 108, 184, 199; 126/569,
126/608, 707, 709; 136/206, 244, 245, 247,
136/251; 320/101; 385/900

See application file for complete search history.

(56) **References Cited**

U.S. PATENT DOCUMENTS

5,522,943	A	*	6/1996	Spencer et al.	136/245
D391,921	S	*	3/1998	Zimmer et al.	D13/102
D442,139	S	*	5/2001	Sasaoka	D13/102
D467,225	S	*	12/2002	Sudo	D13/102

D517,006	S	*	3/2006	Bessmertny	D13/102
D630,577	S	*	1/2011	Eubanks et al.	D13/102
D642,513	S	*	8/2011	Chen	D13/102

* cited by examiner

Primary Examiner — Derrick Holland

(74) *Attorney, Agent, or Firm* — Gordon Thomson

(57) **CLAIM**

The ornamental design for a solar powered controller, as shown and described.

DESCRIPTION

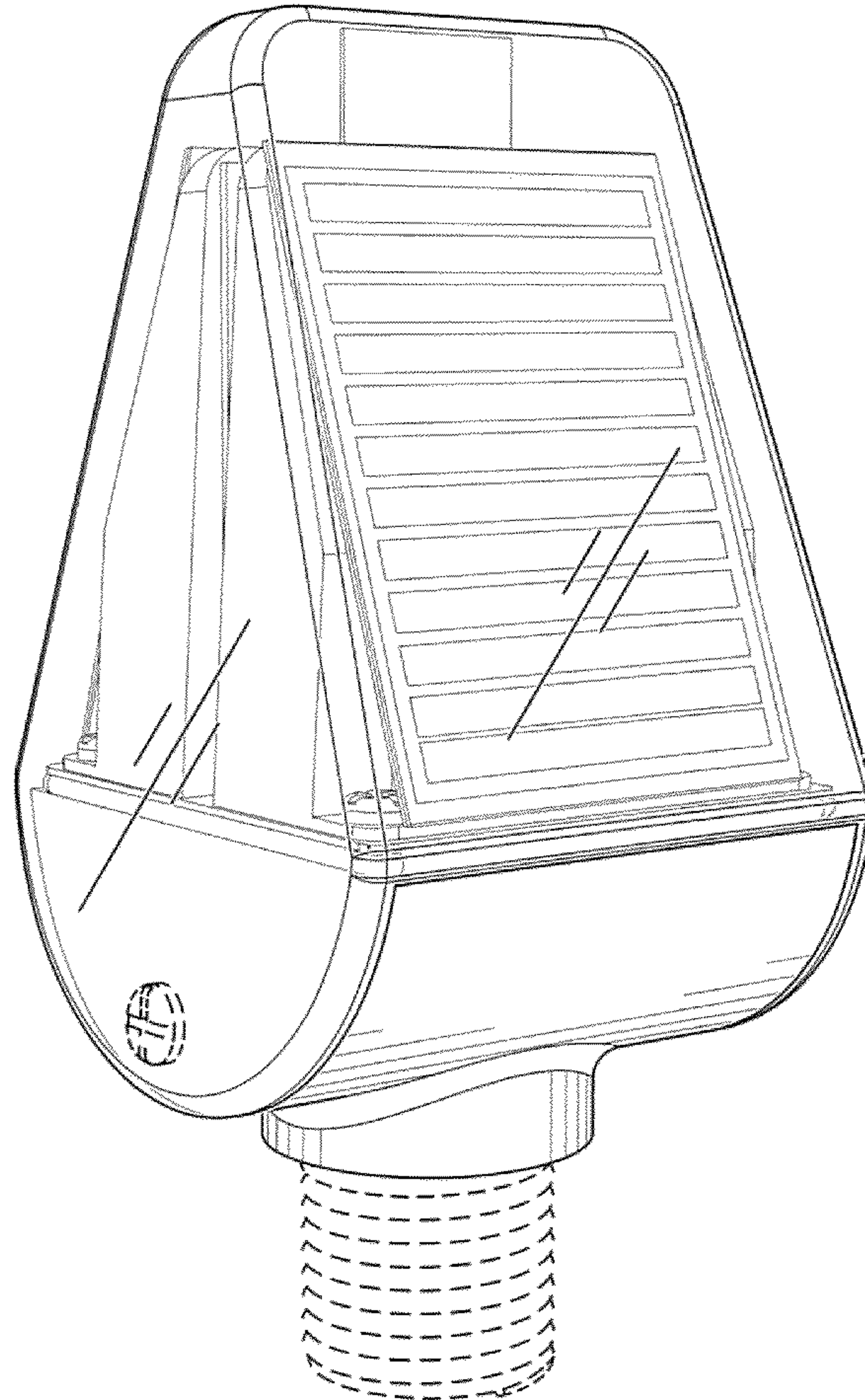
FIG. 1 is a front perspective view of the solar powered controller.

FIG. 2 is a left side view of the solar powered controller which is identical to a right side view of the solar powered controller. FIG. 3 is a front view of the solar powered controller which is identical to a rear view of the solar powered controller.

FIG. 4 is a top view of the solar powered controller; and, FIG. 5 is a bottom view of the solar powered controller.

The broken lines shown represent unclaimed subject matter and form no part of the claimed design.

1 Claim, 2 Drawing Sheets



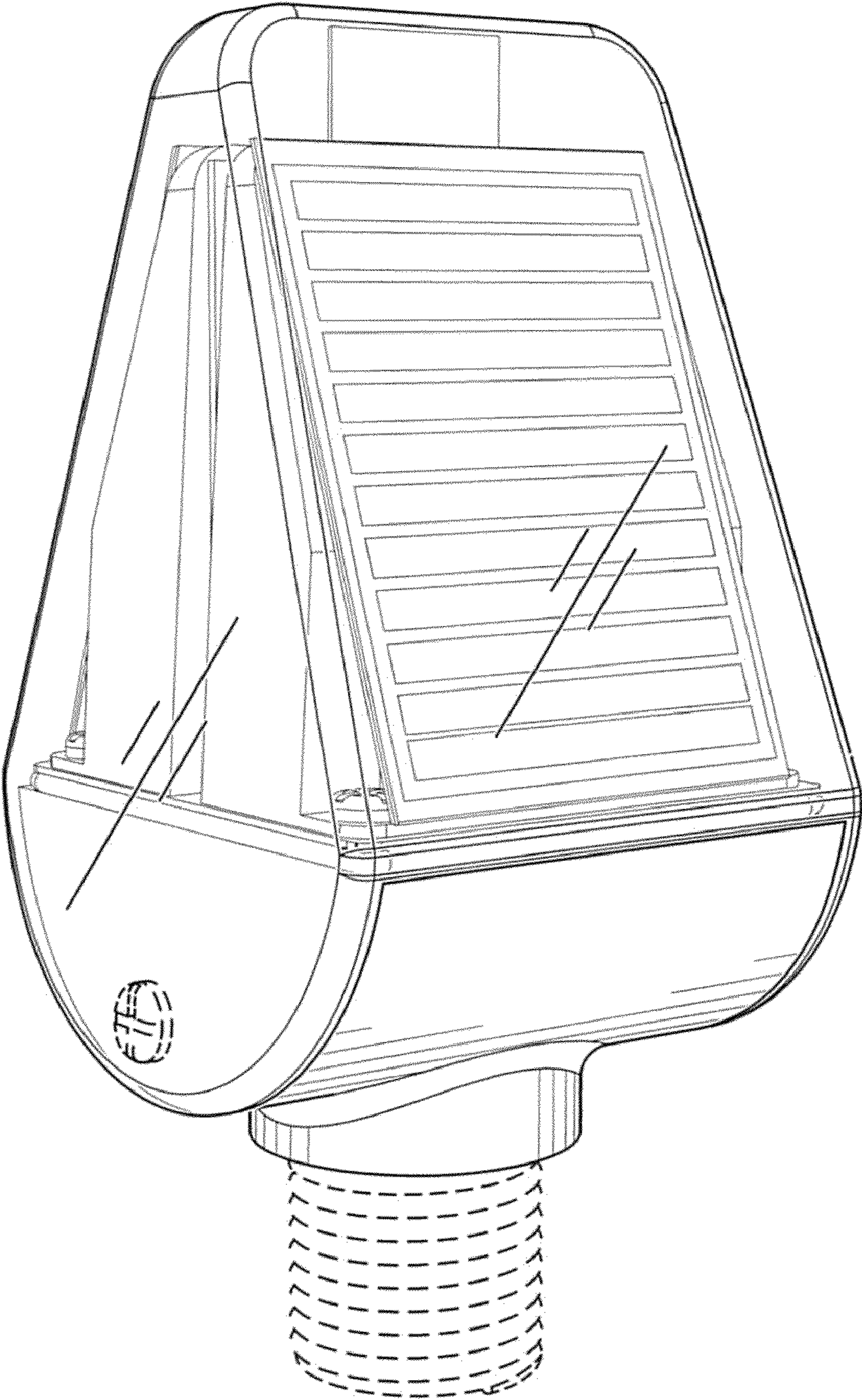


FIG. 1

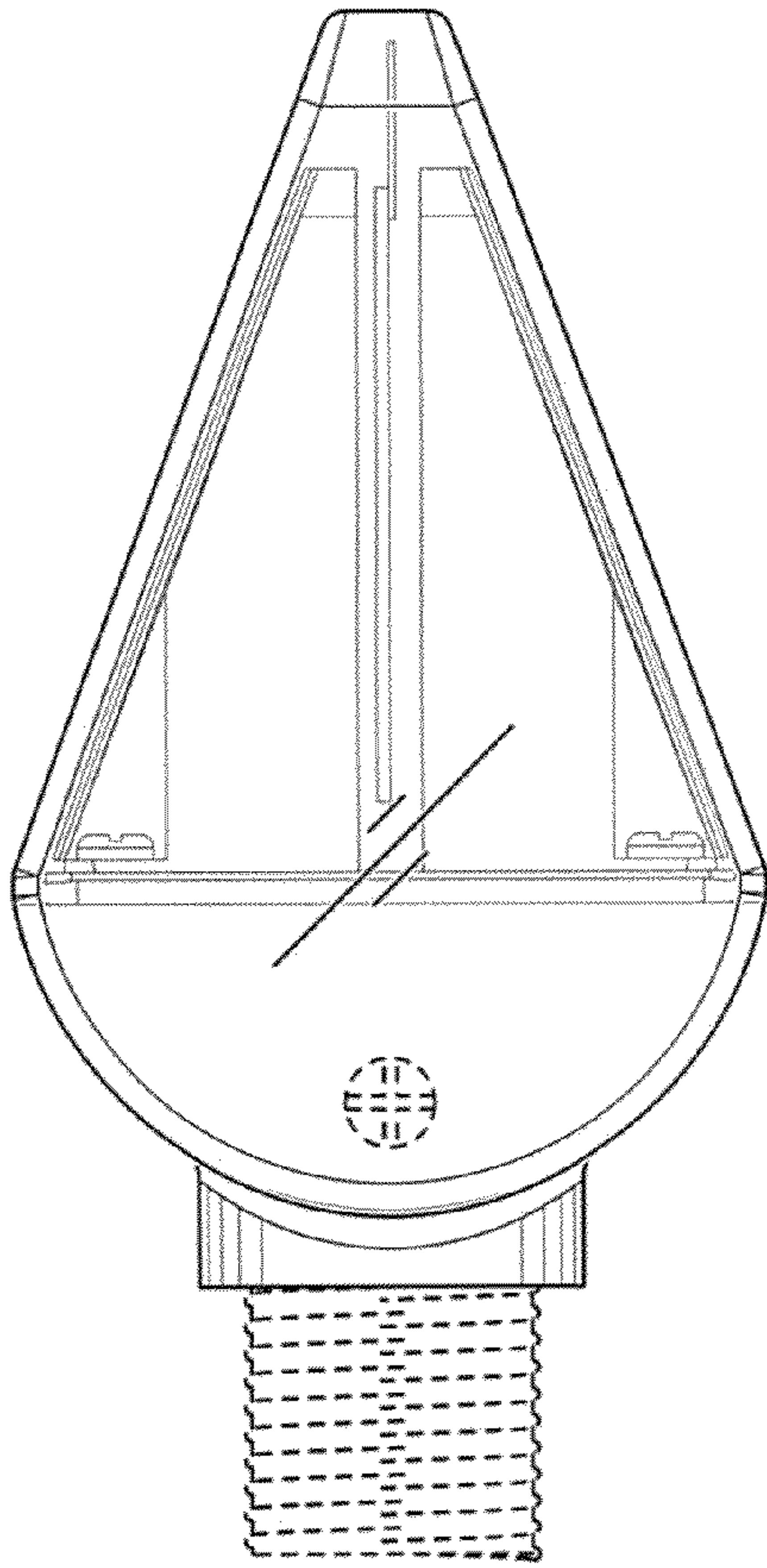


FIG. 2

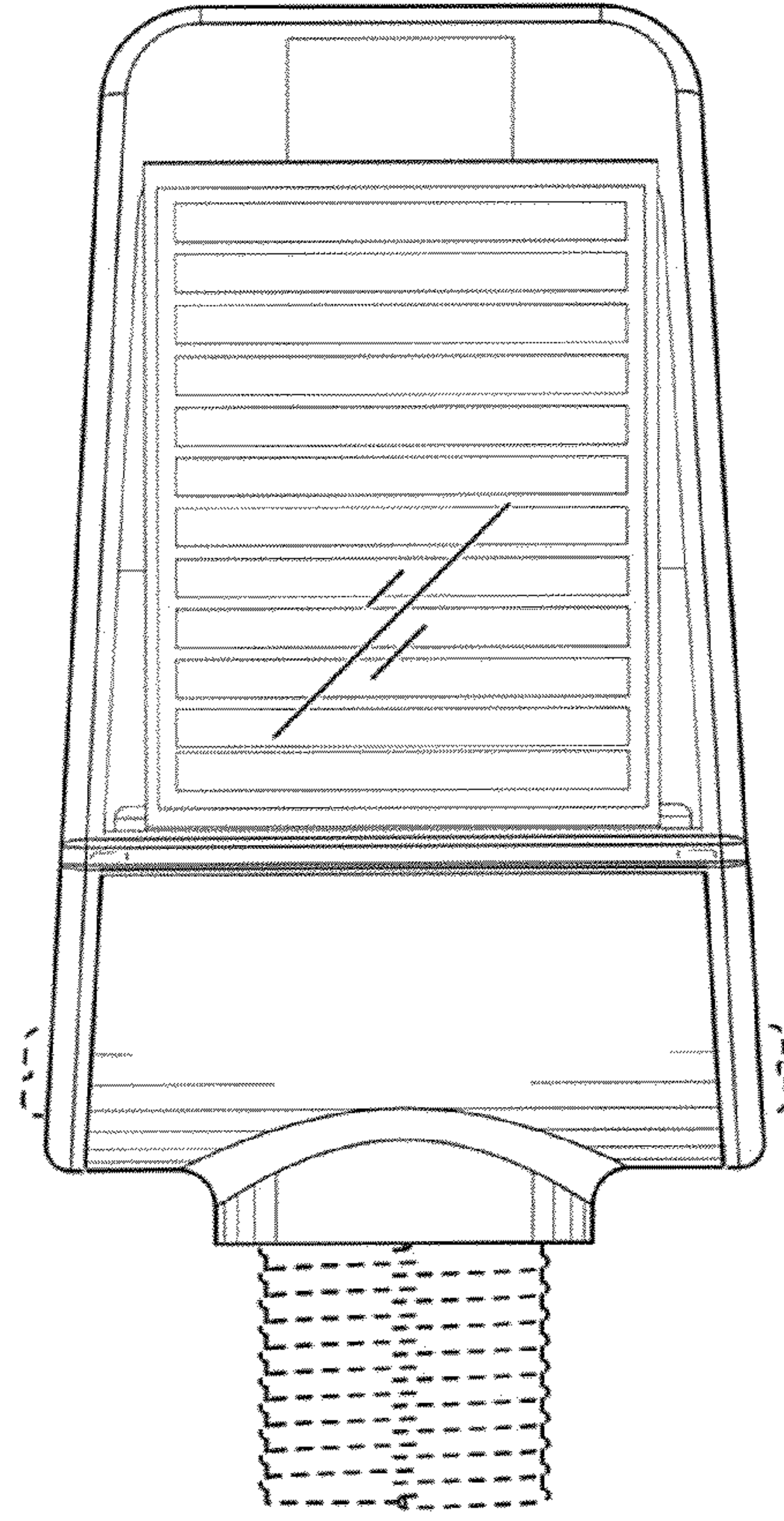


FIG. 3

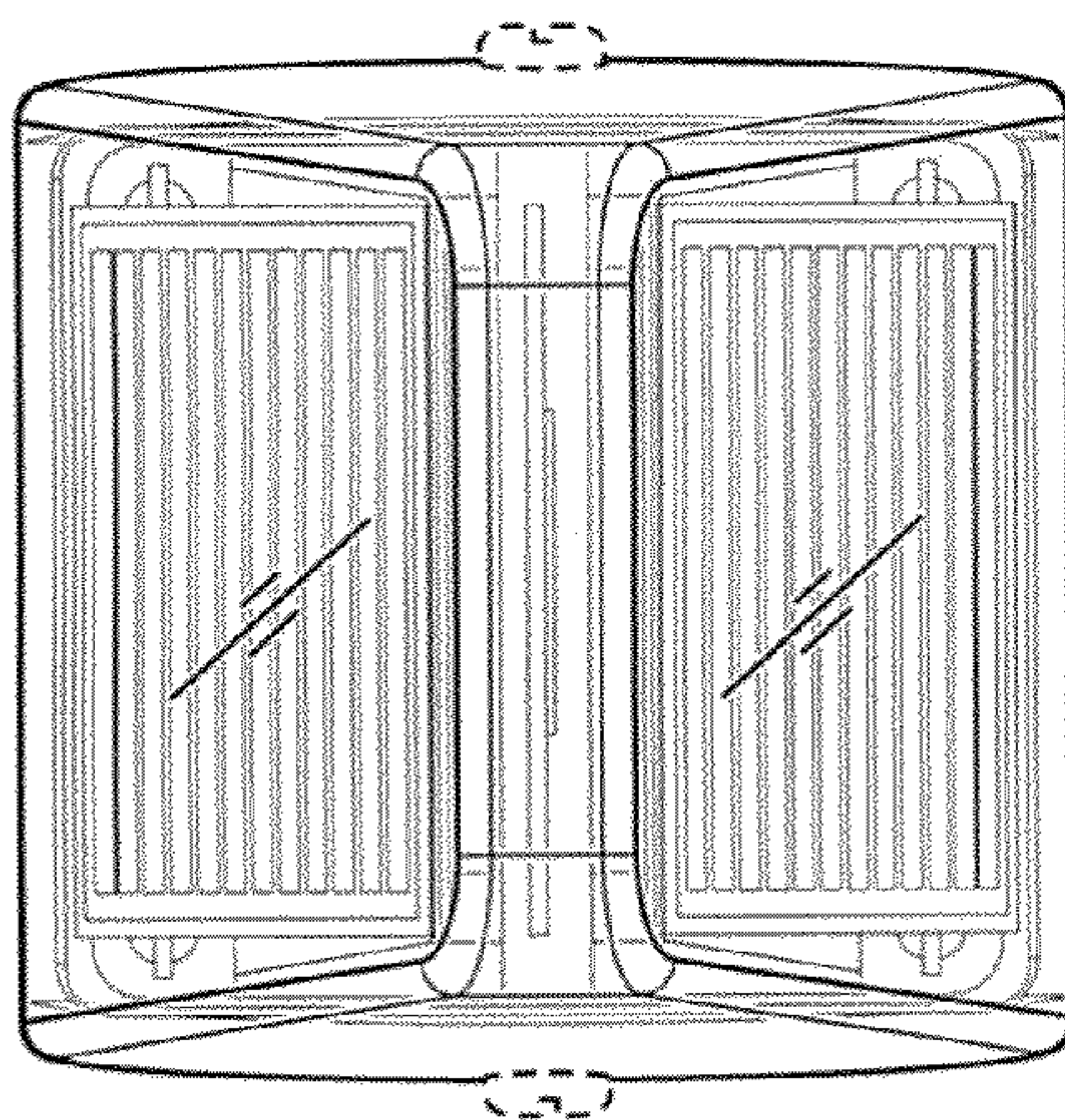


FIG. 4

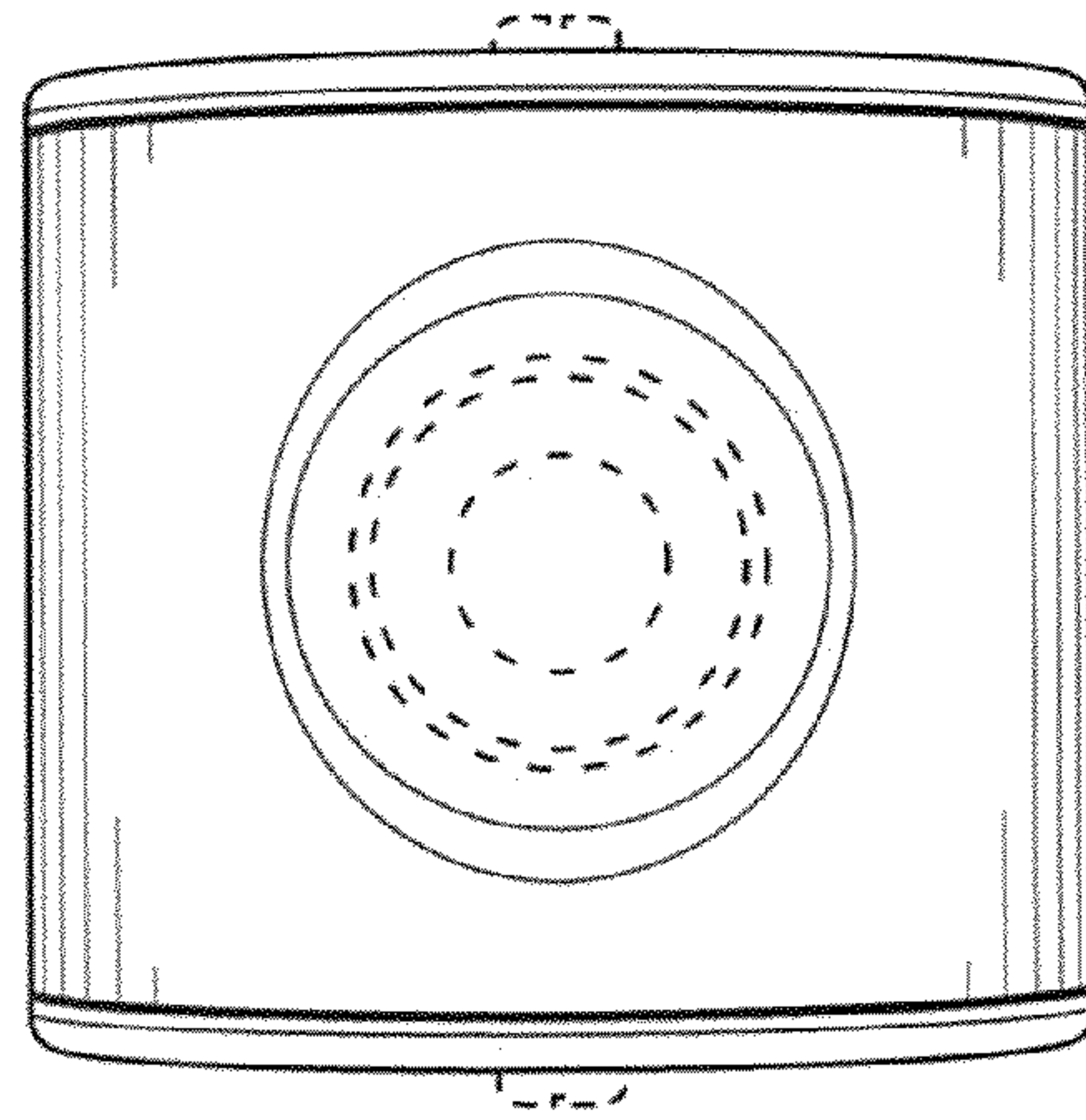


FIG. 5