



US00D672710S

(12) **United States Design Patent**
Chauvin et al.

(10) **Patent No.:** **US D672,710 S**

(45) **Date of Patent:** **** *Dec. 18, 2012**

(54) **PNEUMATIC TIRE**

(75) Inventors: **Dominique Chauvin**, Cournon
d'Auvergne (FR); **Arnaud Larregain**,
Thiers (FR)

(73) Assignees: **Compagnie Generale des**
Etablissements Michelin,
Clermont-Ferrand (FR); **Michelin**
Recherche et Technique S.A.,
Granges-Paccot (CH)

(*) Notice: This patent is subject to a terminal dis-
claimer.

(**) Term: **14 Years**

(21) Appl. No.: **29/412,289**

(22) Filed: **Feb. 1, 2012**

(30) **Foreign Application Priority Data**

Aug. 1, 2011 (FR) 11 03832

(51) **LOC (9) Cl.** **12-16**

(52) **U.S. Cl.** **D12/579**

(58) **Field of Classification Search** D12/568–603,
D12/536, 542–544, 900–901; 152/209.1–209.9,
152/209.11–209.19, 209.21–209.28, 455

See application file for complete search history.

(56) **References Cited**

U.S. PATENT DOCUMENTS

D409,955	S	*	5/1999	de Barsy	D12/579
D445,379	S	*	7/2001	Guspodin et al.	D12/579
D447,447	S	*	9/2001	Guspodin et al.	D12/579
D484,090	S	*	12/2003	Kindig et al.	D12/579
D500,285	S	*	12/2004	Ikeda	D12/579
D512,370	S	*	12/2005	Pang	D12/579
D530,264	S	*	10/2006	Labbe et al.	D12/579
D530,265	S	*	10/2006	Hutz et al.	D12/579
D556,124	S	*	11/2007	Thum et al.	D12/579
D567,749	S	*	4/2008	Brown et al.	D12/579
D595,641	S	*	7/2009	Carter et al.	D12/579
D606,928	S	*	12/2009	Song	D12/579
D648,261	S	*	11/2011	Rayman	D12/579

* cited by examiner

Primary Examiner — Stacia Cadmus

(74) *Attorney, Agent, or Firm* — Buchanan Ingersoll &
Rooney PC

(57) **CLAIM**

The ornamental design for a pneumatic tire, as shown and
described.

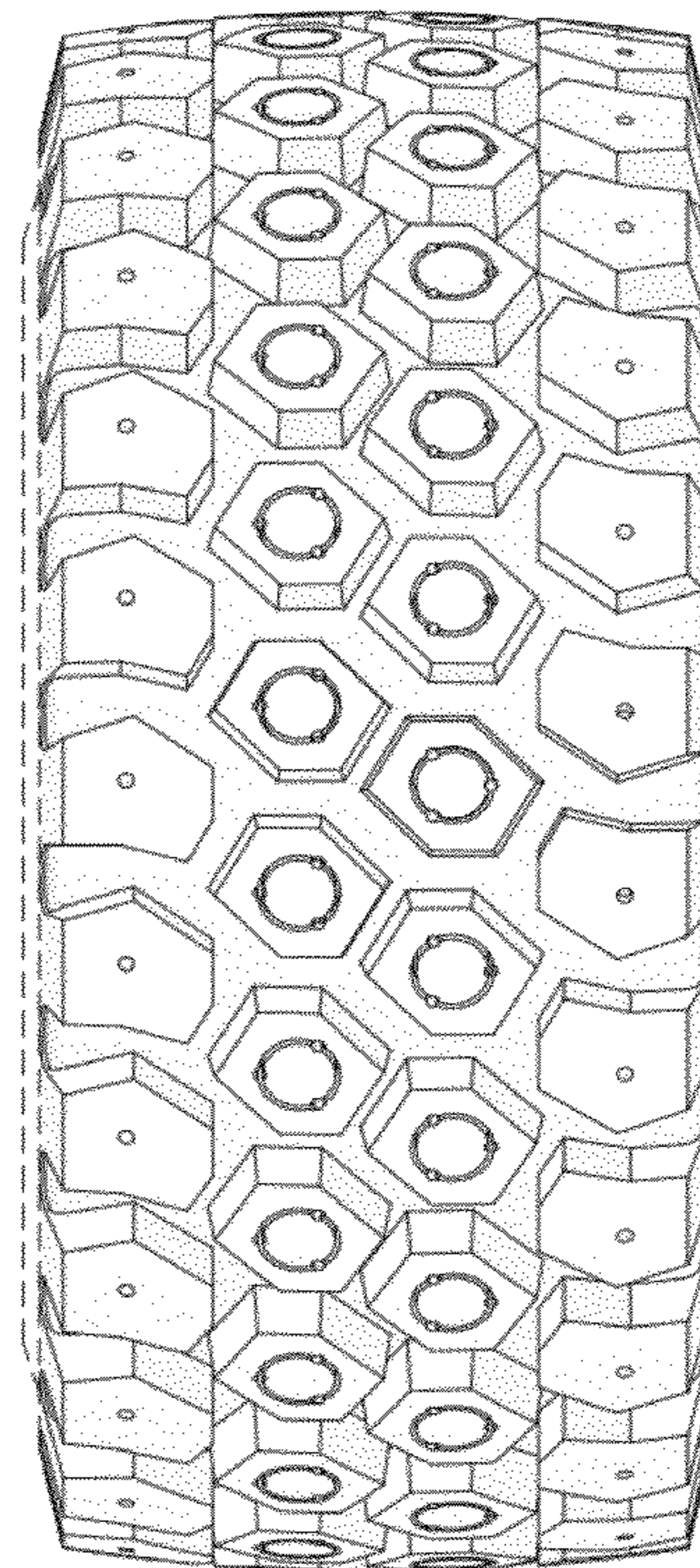
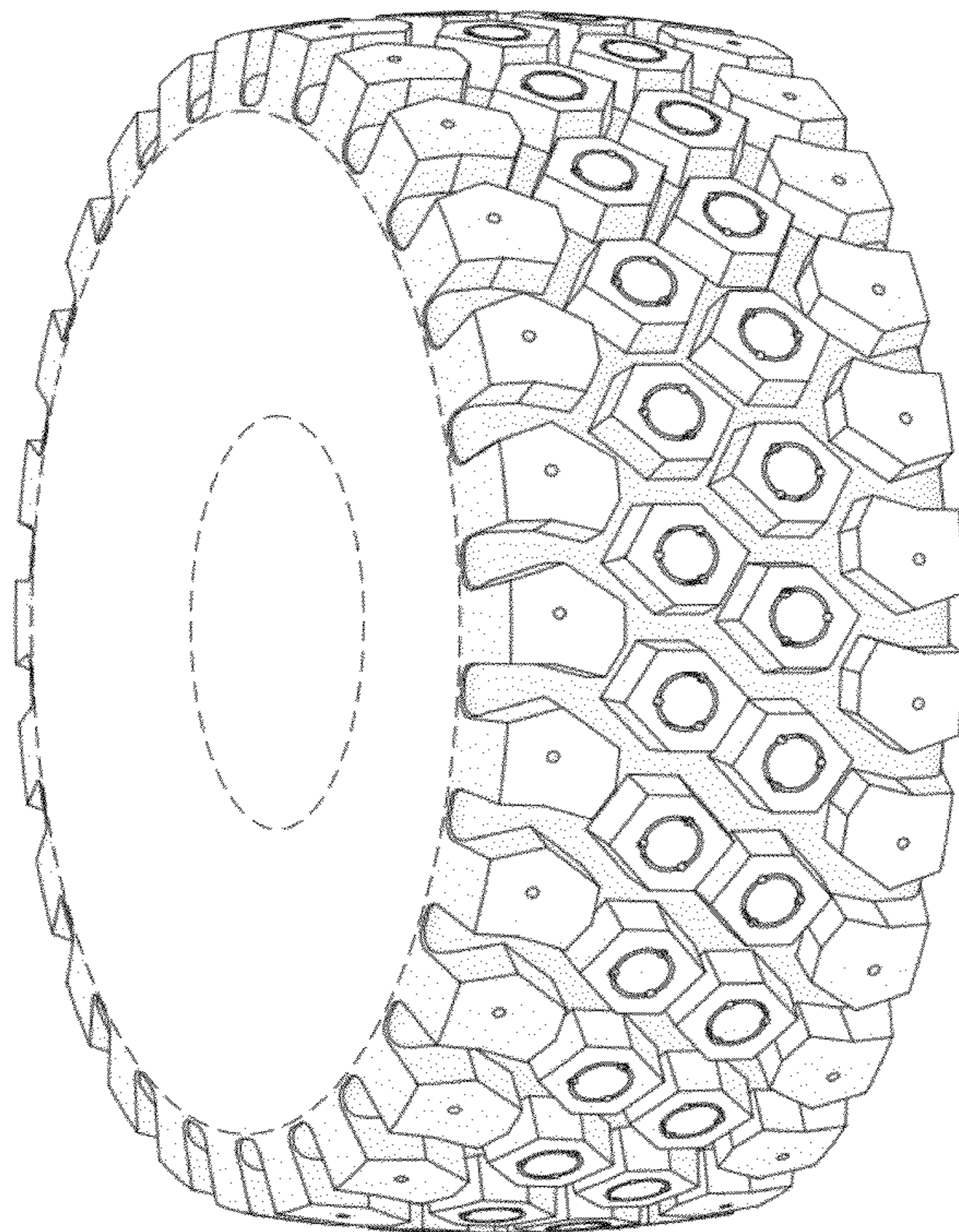
DESCRIPTION

FIG. 1 is a perspective view of a pneumatic tire showing our
new design.

FIG. 2 is a front elevational view thereof; and,
FIG. 3 is a side elevational view thereof, the other side being
a mirror image.

In the drawings, the broken lines defining the sidewall, inner
bead and the unclaimed sidewall depict environmental sub-
ject matter that forms no part of the claimed design.

1 Claim, 3 Drawing Sheets



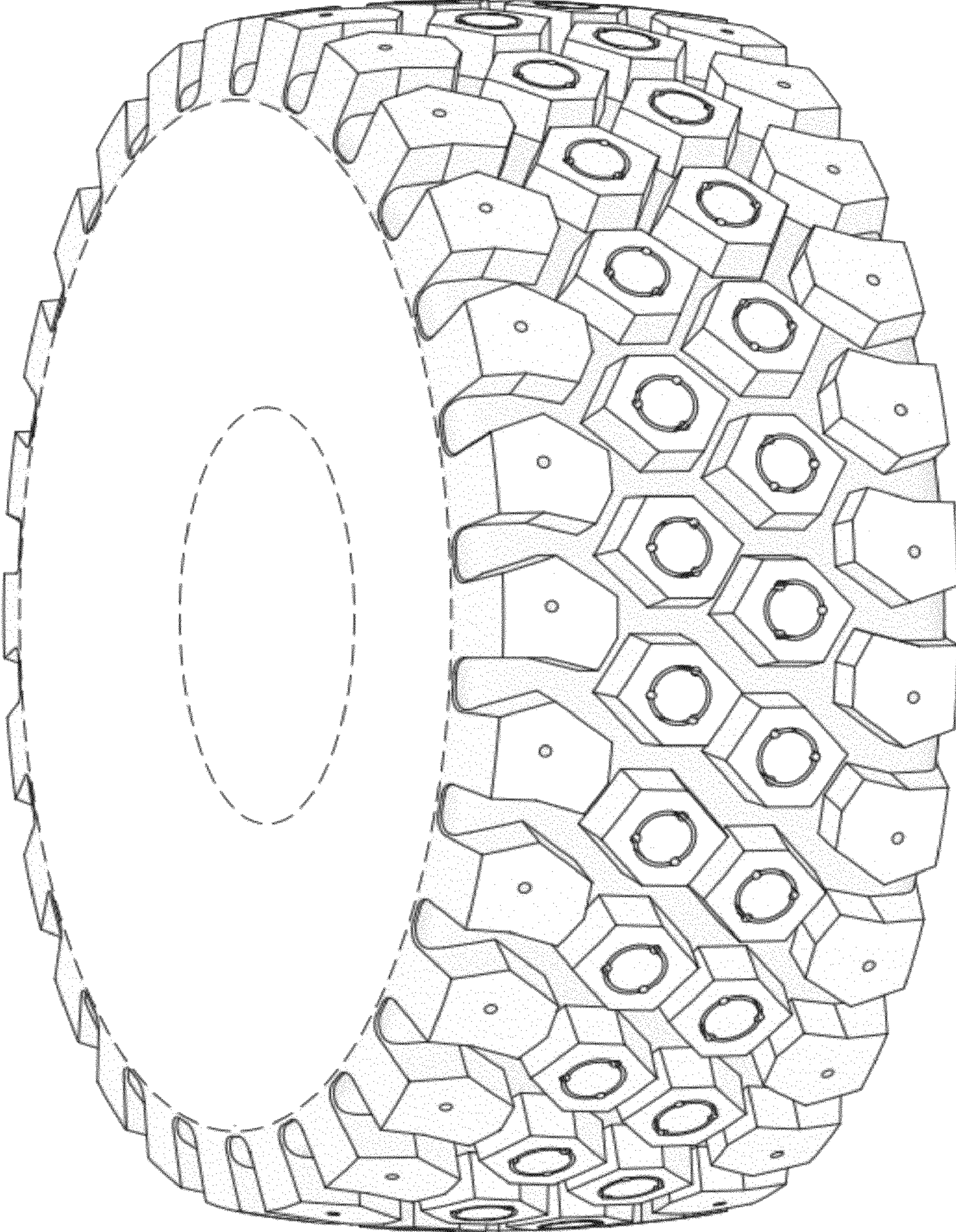


FIG. 1

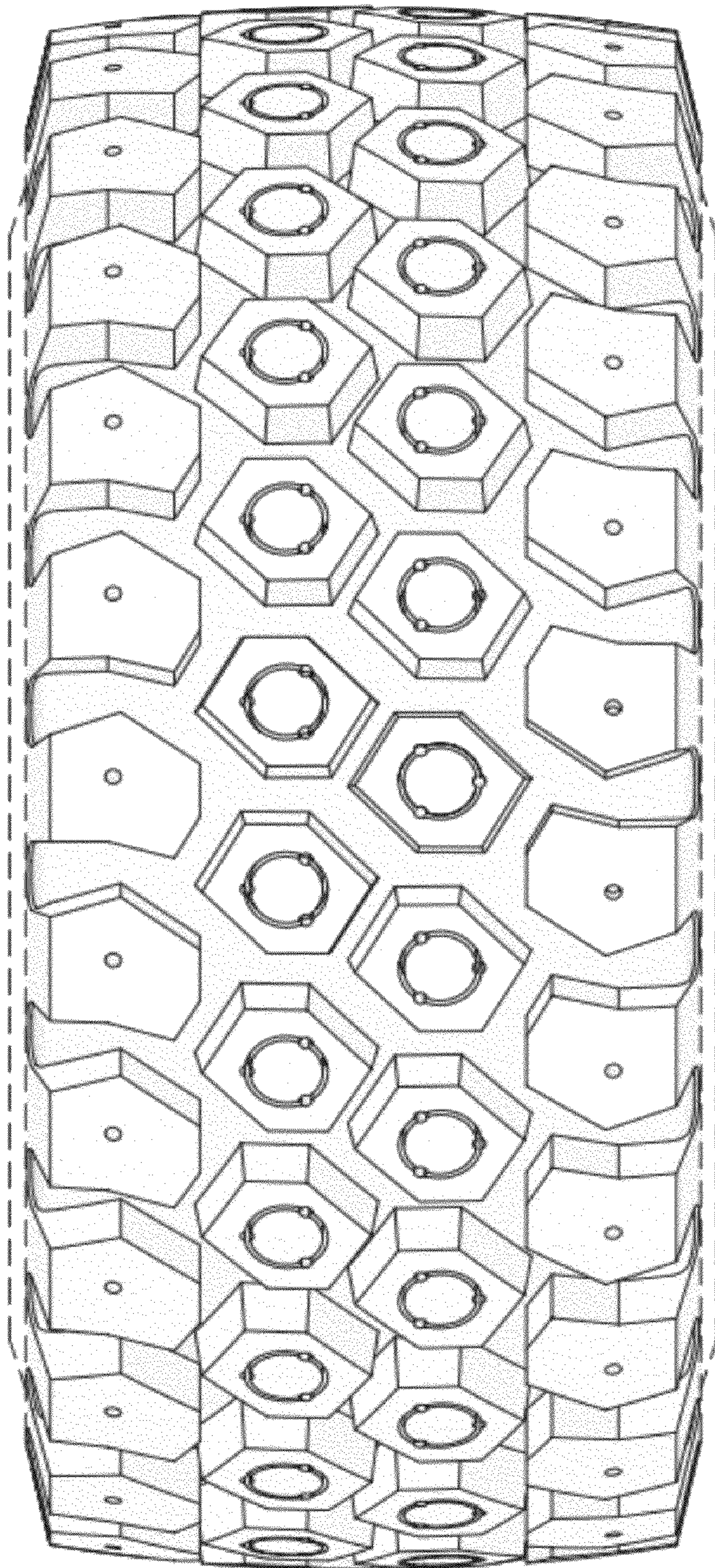


FIG. 2

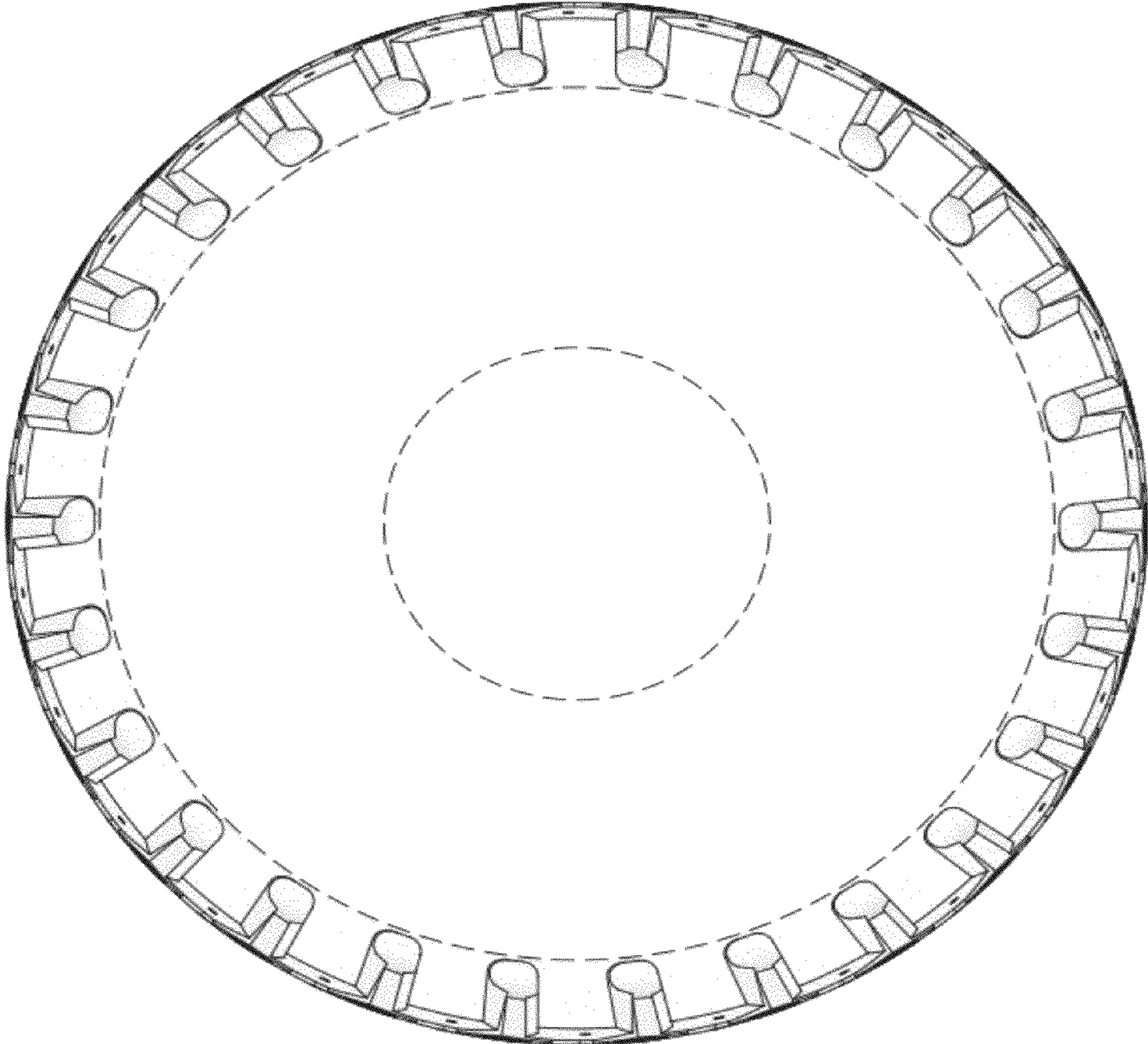


FIG. 3