



US00D672704S

(12) **United States Design Patent**  
**Grago**

(10) **Patent No.:** **US D672,704 S**

(45) **Date of Patent:** **\*\* Dec. 18, 2012**

(54) **COLLAPSIBLE BICYCLE RACK FOR A MOTOR VEHICLE**

(75) Inventor: **John P. Grago**, Penticton (CA)

(73) Assignee: **Denik Industries, Limited** (CA)

(\*\*) Term: **14 Years**

(21) Appl. No.: **29/415,881**

(22) Filed: **Mar. 15, 2012**

(51) **LOC (9) Cl.** ..... **12-11**

(52) **U.S. Cl.** ..... **D12/408**

(58) **Field of Classification Search** ..... D12/406-408,  
D12/412, 414, 115, 120; 224/42.12, 329,  
224/331, 400, 412, 413, 419, 442, 451-456,  
224/488, 489, 495, 497, 499, 500, 502, 504,  
224/511-537, 314, 924, 42.11; 280/202,  
280/292

See application file for complete search history.

(56) **References Cited**

**U.S. PATENT DOCUMENTS**

6,019,266	A *	2/2000	Johnson	.....	224/534
6,047,869	A *	4/2000	Chiu	.....	224/314
6,761,297	B1 *	7/2004	Pedrini	.....	224/519
7,222,763	B2 *	5/2007	Pedrini	.....	224/519
7,240,816	B2 *	7/2007	Tsai	.....	224/501
7,648,151	B2 *	1/2010	Pedrini	.....	280/292

7,815,083	B2 *	10/2010	Clausen et al.	.....	224/501
D628,141	S *	11/2010	Weaver et al.	.....	D12/408
8,113,398	B2 *	2/2012	Sautter et al.	.....	224/497
2011/0011909	A1 *	1/2011	Liu	.....	224/501

\* cited by examiner

*Primary Examiner* — Susan M Lee

*Assistant Examiner* — Linda G. Brooks

(74) *Attorney, Agent, or Firm* — Morland C. Fischer

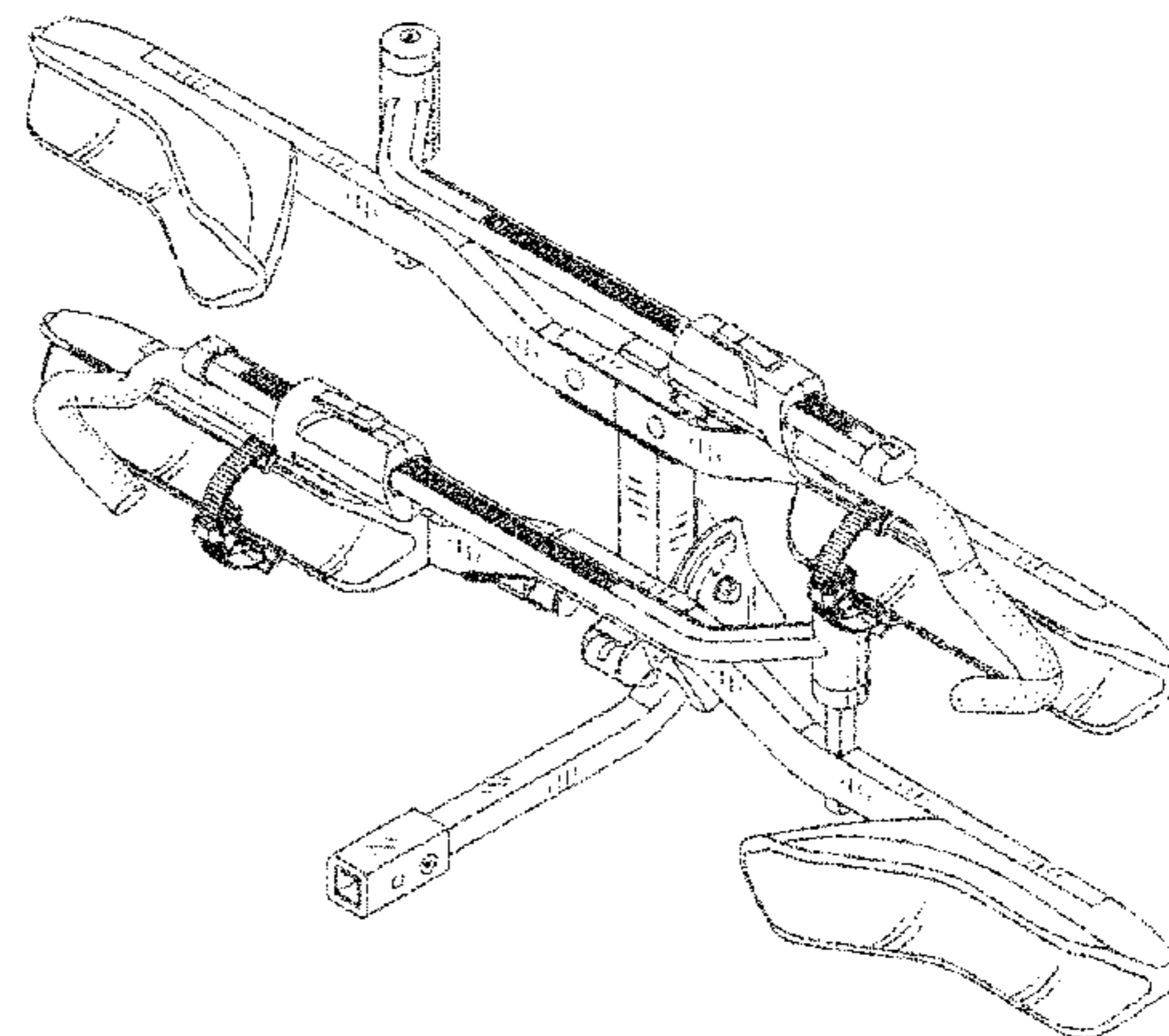
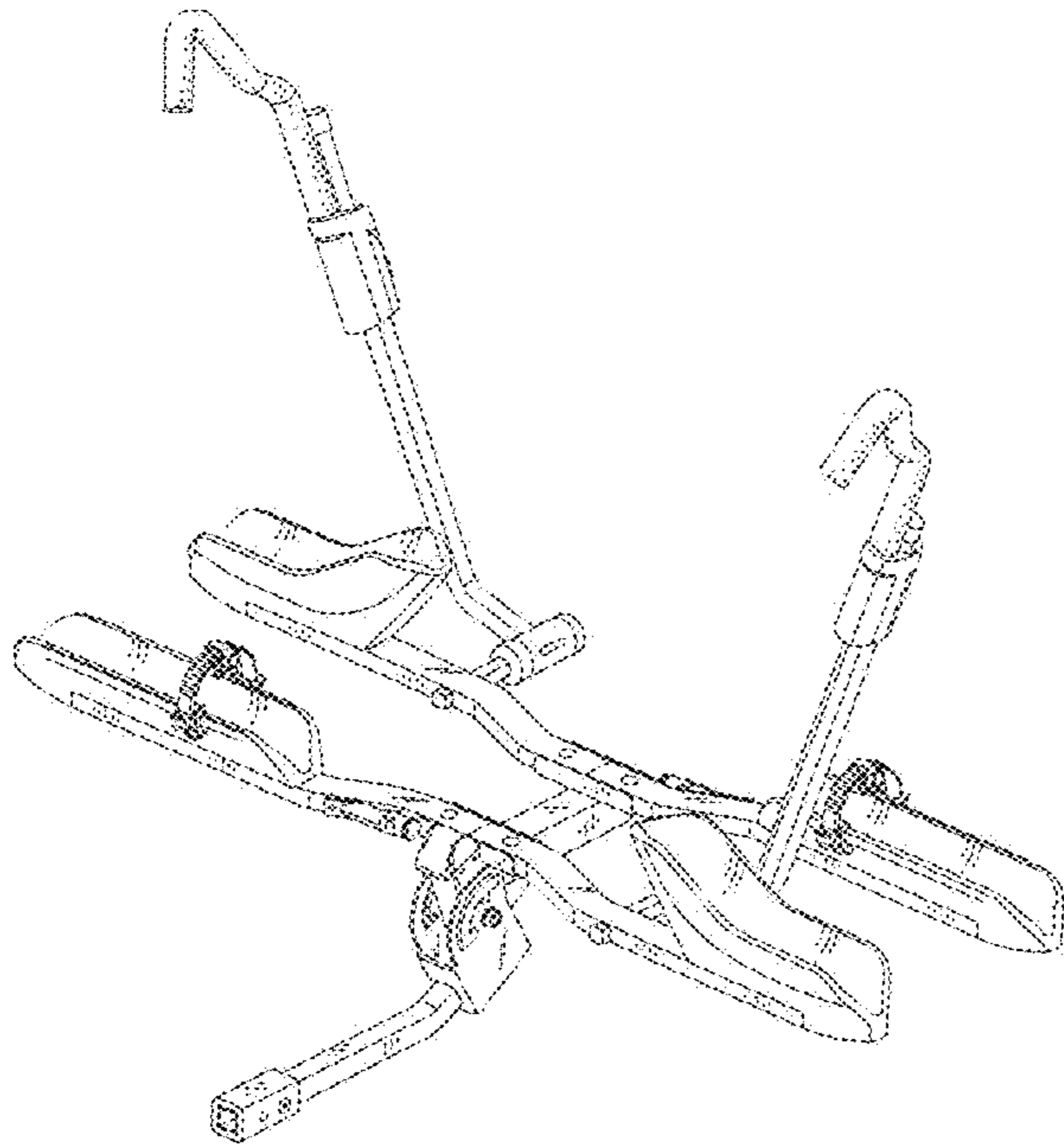
(57) **CLAIM**

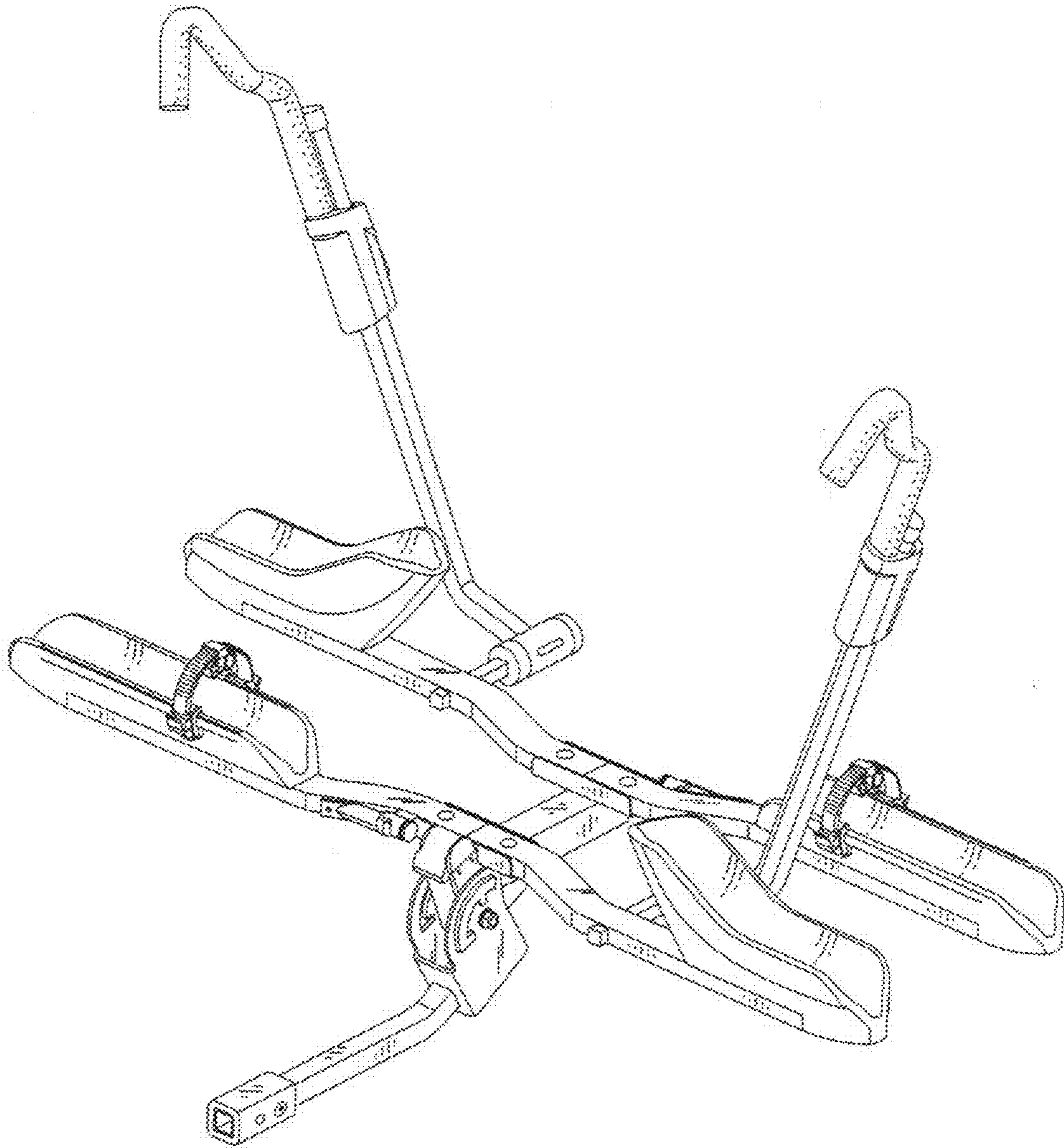
The ornamental design for a collapsible bicycle rack for a motor vehicle, as shown and described.

**DESCRIPTION**

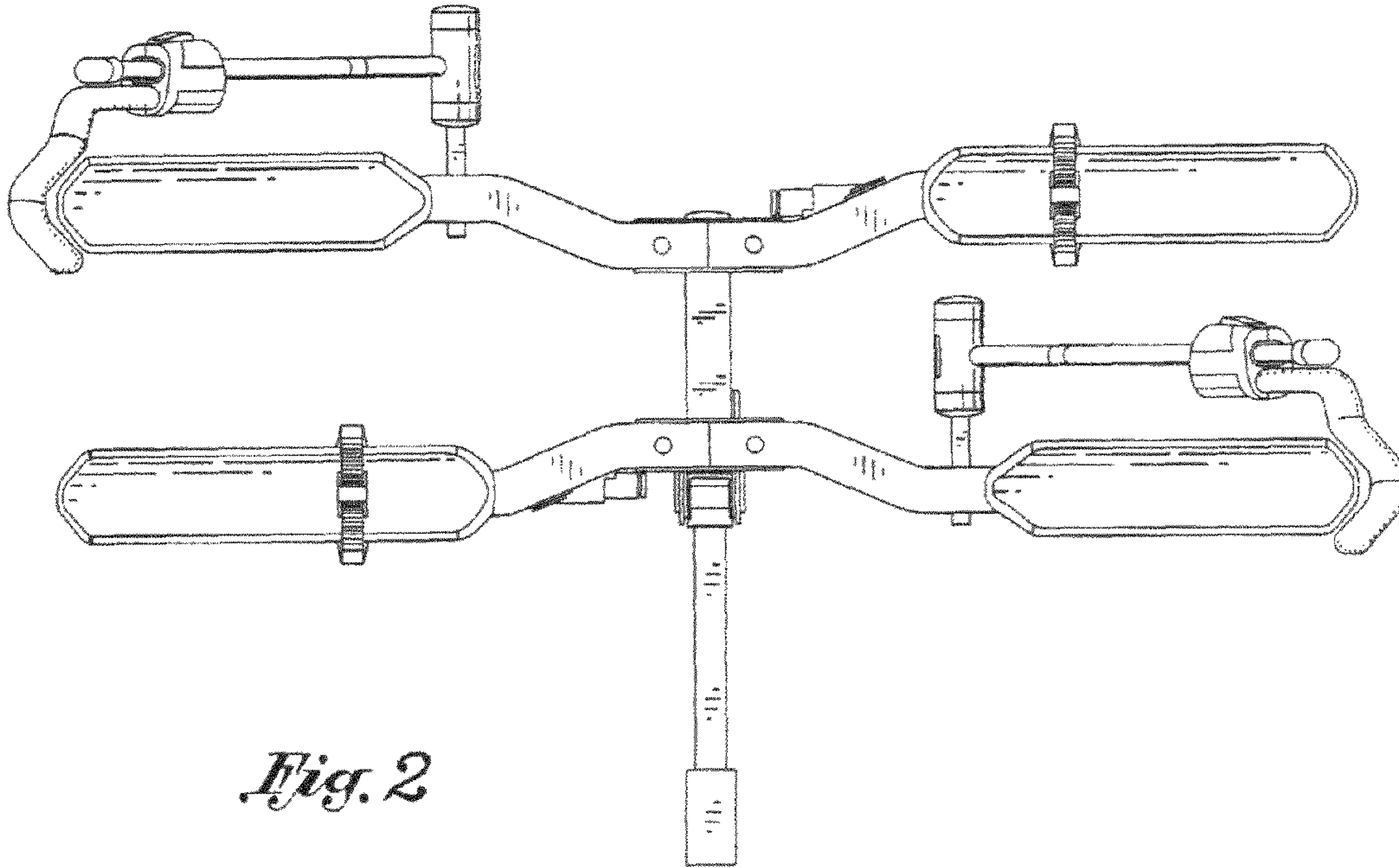
FIG. 1 is a perspective view showing the front, top and right side of a collapsible bicycle rack for a motor vehicle which forms my new design, wherein the bicycle rack is illustrated in an open unfolded configuration; FIG. 2 is a top plan view thereof; FIG. 3 is a bottom plan view thereof; FIG. 4 is a front elevational view thereof; FIG. 5 is a rear elevational view thereof; FIG. 6 is a right side elevational view thereof; FIG. 7 is a left side elevational view thereof; and, FIG. 8 is a perspective view showing the front, top and right side of the collapsible bicycle rack for a motor vehicle illustrated in a collapsed folded configuration.

**1 Claim, 5 Drawing Sheets**

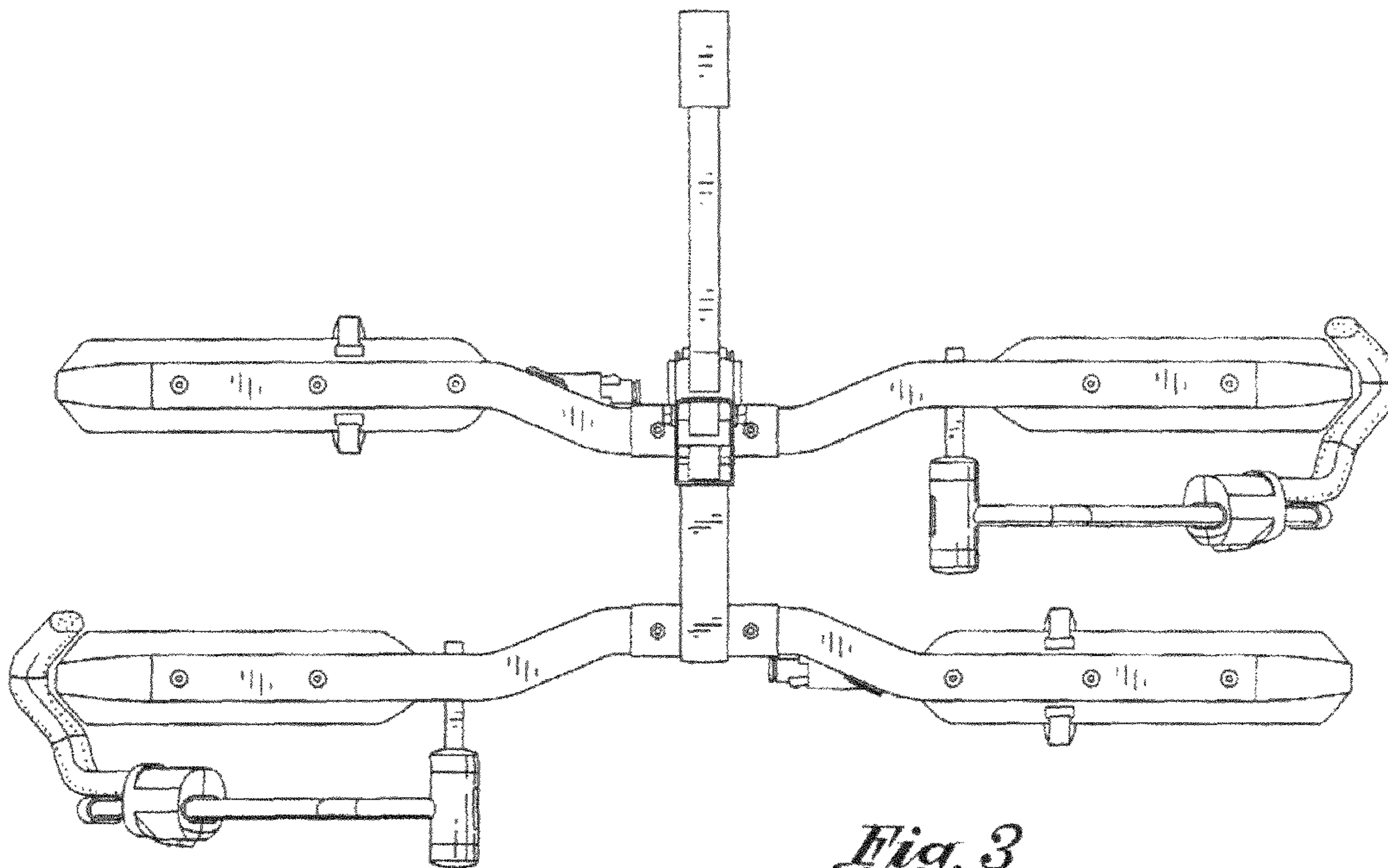




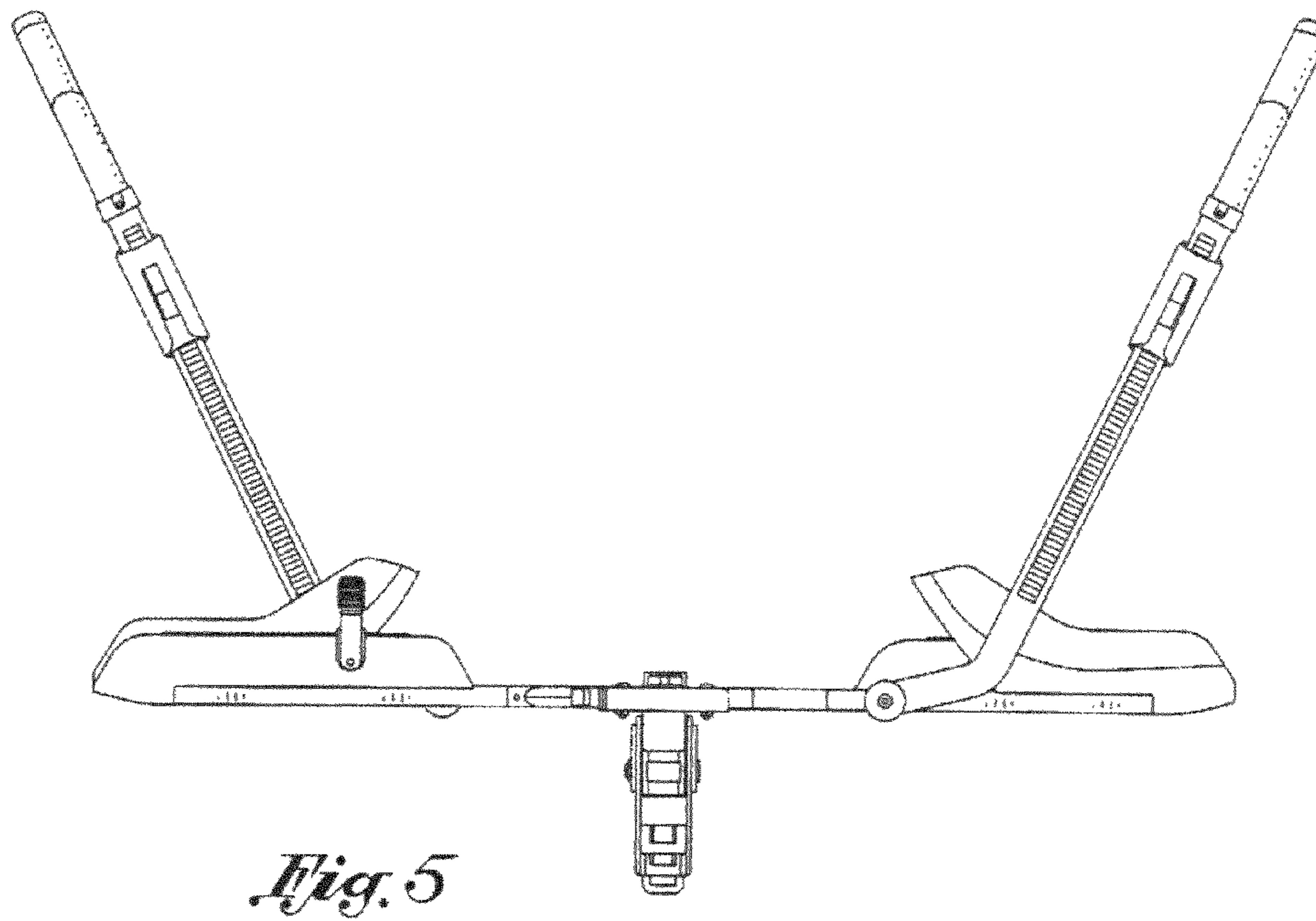
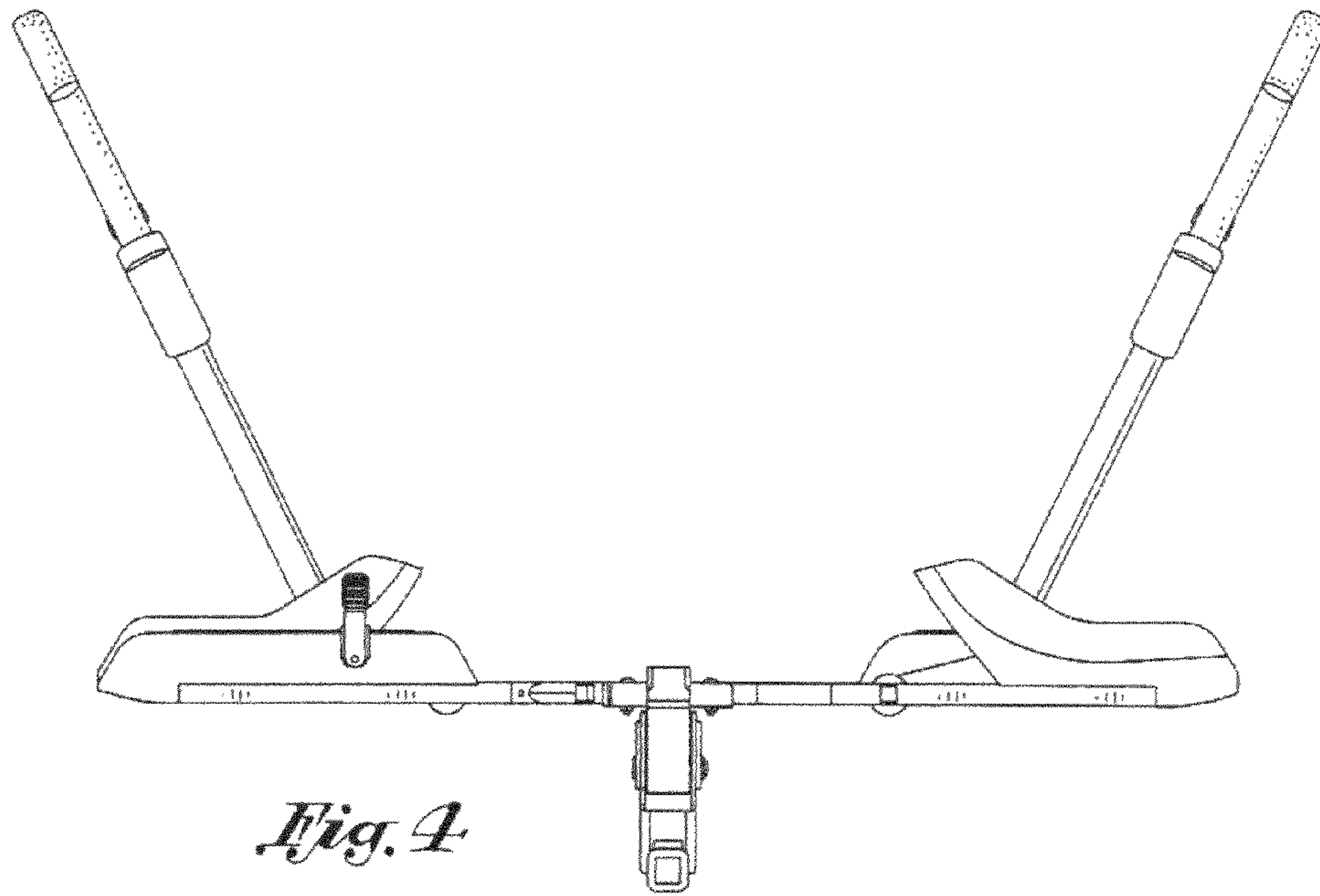
*Fig. 1*

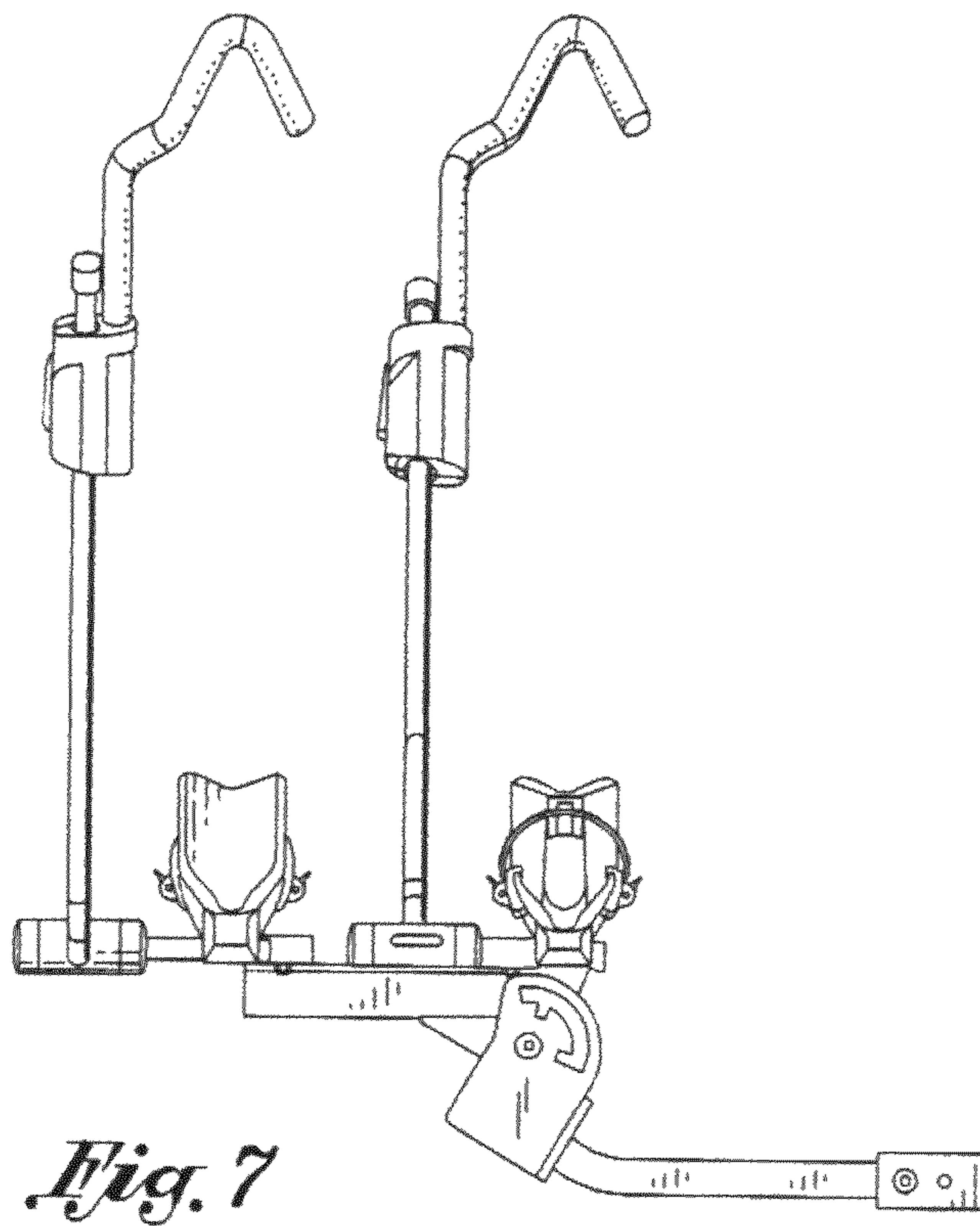
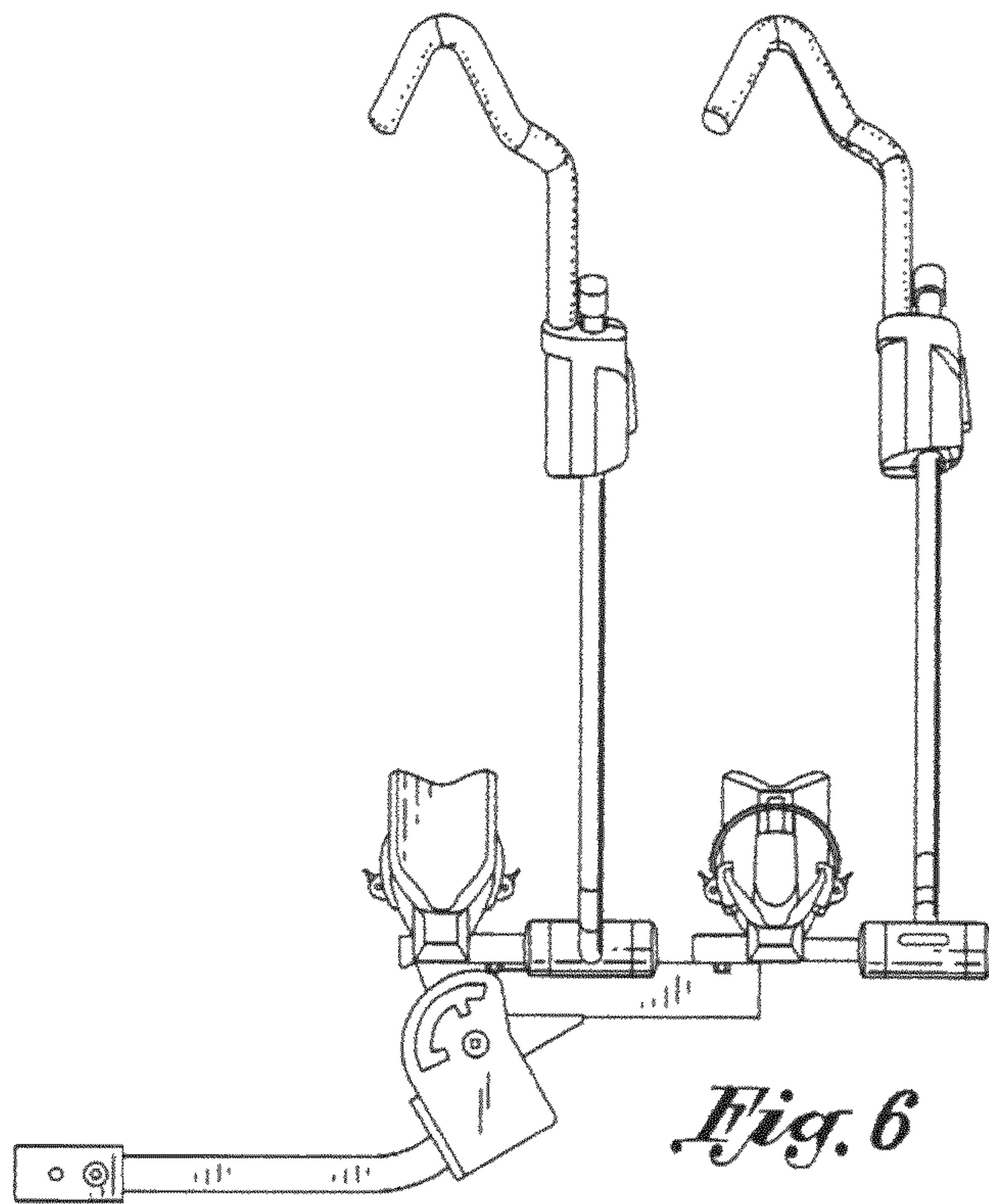


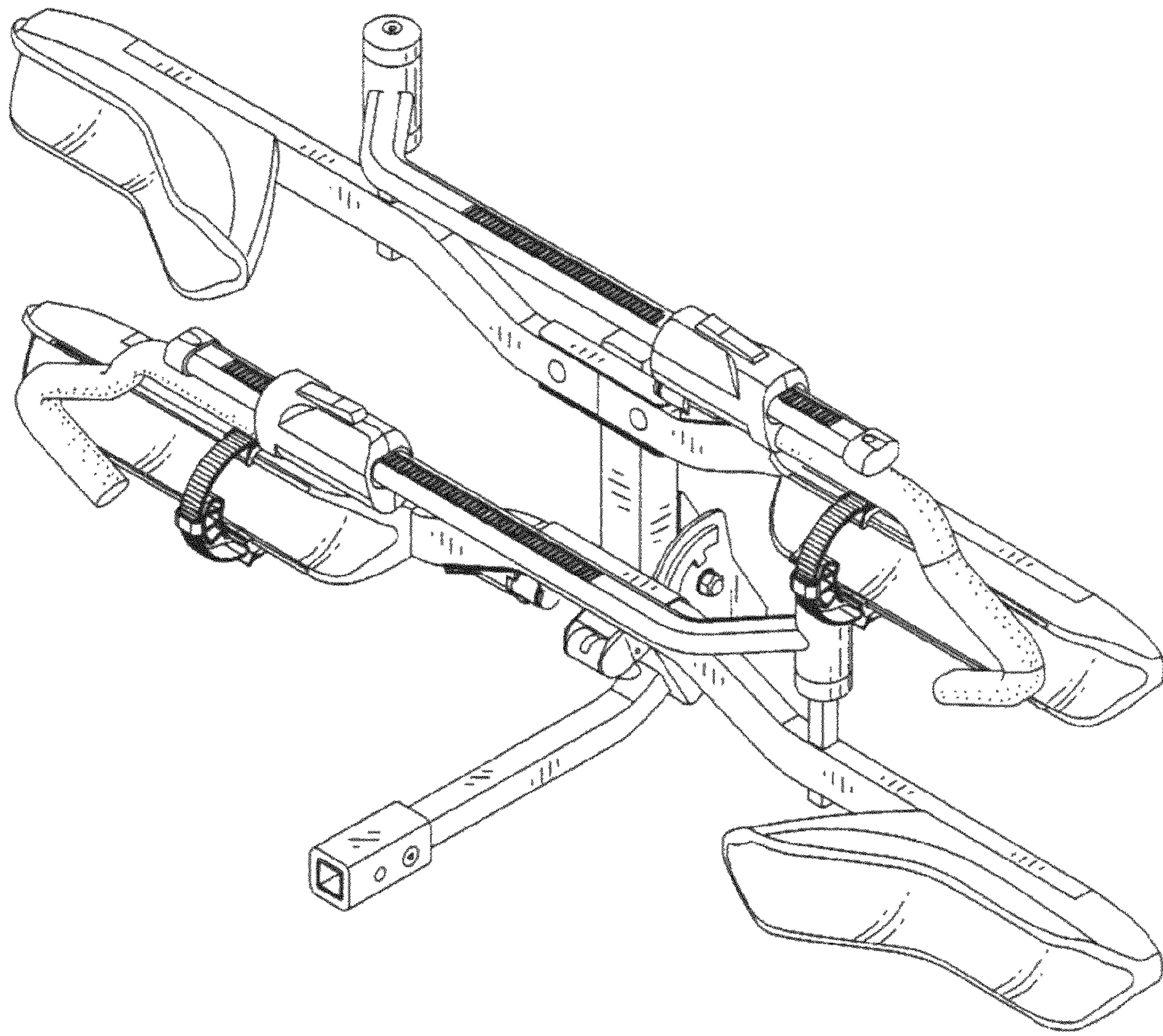
*Fig. 2*



*Fig. 3*







*Fig. 8*

UNITED STATES PATENT AND TRADEMARK OFFICE  
**CERTIFICATE OF CORRECTION**

PATENT NO. : D672,704 S  
APPLICATION NO. : 29/415881  
DATED : December 18, 2012  
INVENTOR(S) : John P. Grago

Page 1 of 1

It is certified that error appears in the above-identified patent and that said Letters Patent is hereby corrected as shown below:

Title Page

Item (73) change name of the Assignee from “Denik Industries, Limited” to  
--Danik Industries, Limited--.

Signed and Sealed this  
Fourteenth Day of May, 2013



Teresa Stanek Rea  
*Acting Director of the United States Patent and Trademark Office*