



US00D672702S

(12) **United States Design Patent**  
**Pollmann**

(10) **Patent No.:** **US D672,702 S**

(45) **Date of Patent:** **\*\* Dec. 18, 2012**

(54) **WHEEL OR WHEEL COVER**

(75) **Inventor:** **Gert Pollmann**, Boehmfeld (DE)

(73) **Assignee:** **Bayerische Motoren Werke Aktiengesellschaft**, Munich (DE)

(\*\*) **Term:** **14 Years**

(21) **Appl. No.:** **29/417,647**

(22) **Filed:** **Apr. 6, 2012**

(30) **Foreign Application Priority Data**

Oct. 7, 2011 (DE) ..... 402011005029

(51) **LOC (9) Cl.** ..... **12-16**

(52) **U.S. Cl.** ..... **D12/211**

(58) **Field of Classification Search** ..... D12/204-213;  
301/37.101, 64.101, 65, 64.201

See application file for complete search history.

(56) **References Cited**

**U.S. PATENT DOCUMENTS**

D492,235 S	6/2004	Nordmann	
D516,002 S *	2/2006	Fahr-Becker	D12/211
D522,434 S *	6/2006	Langer	D12/209
D567,167 S *	4/2008	Forster	D12/211
D584,211 S *	1/2009	Farny	D12/211
D585,354 S	1/2009	Powell et al.	
D594,801 S *	6/2009	Imai	D12/211
D613,228 S	4/2010	Juergens et al.	
D614,558 S	4/2010	Luciani et al.	
D617,712 S	6/2010	Juergens et al.	
D621,765 S *	8/2010	Baum	D12/209

D628,527 S	12/2010	Faghihzadeh	
D629,346 S *	12/2010	Szews	D12/211
D635,904 S *	4/2011	Futschik et al.	D12/209
D641,679 S *	7/2011	Vardis	D12/211
D644,588 S *	9/2011	Schweizer	D12/211
D650,315 S *	12/2011	Juergens et al.	D12/211
D660,762 S *	5/2012	Gabath	D12/209
D660,771 S	5/2012	Mueller-Stolz	

**FOREIGN PATENT DOCUMENTS**

DE	40104441.6	9/2001
EM	000934468-0003	10/2009
EM	001598277-0005	1/2010
EM	001598277-0006	1/2010
EM	001636978-0003	11/2010
EM	001693599-0004	6/2011
EM	001908807-0013	8/2011

\* cited by examiner

*Primary Examiner* — Stacia Cadmus

(74) *Attorney, Agent, or Firm* — Crowell & Moring LLP

(57) **CLAIM**

The ornamental design for a wheel or wheel cover, as shown and described.

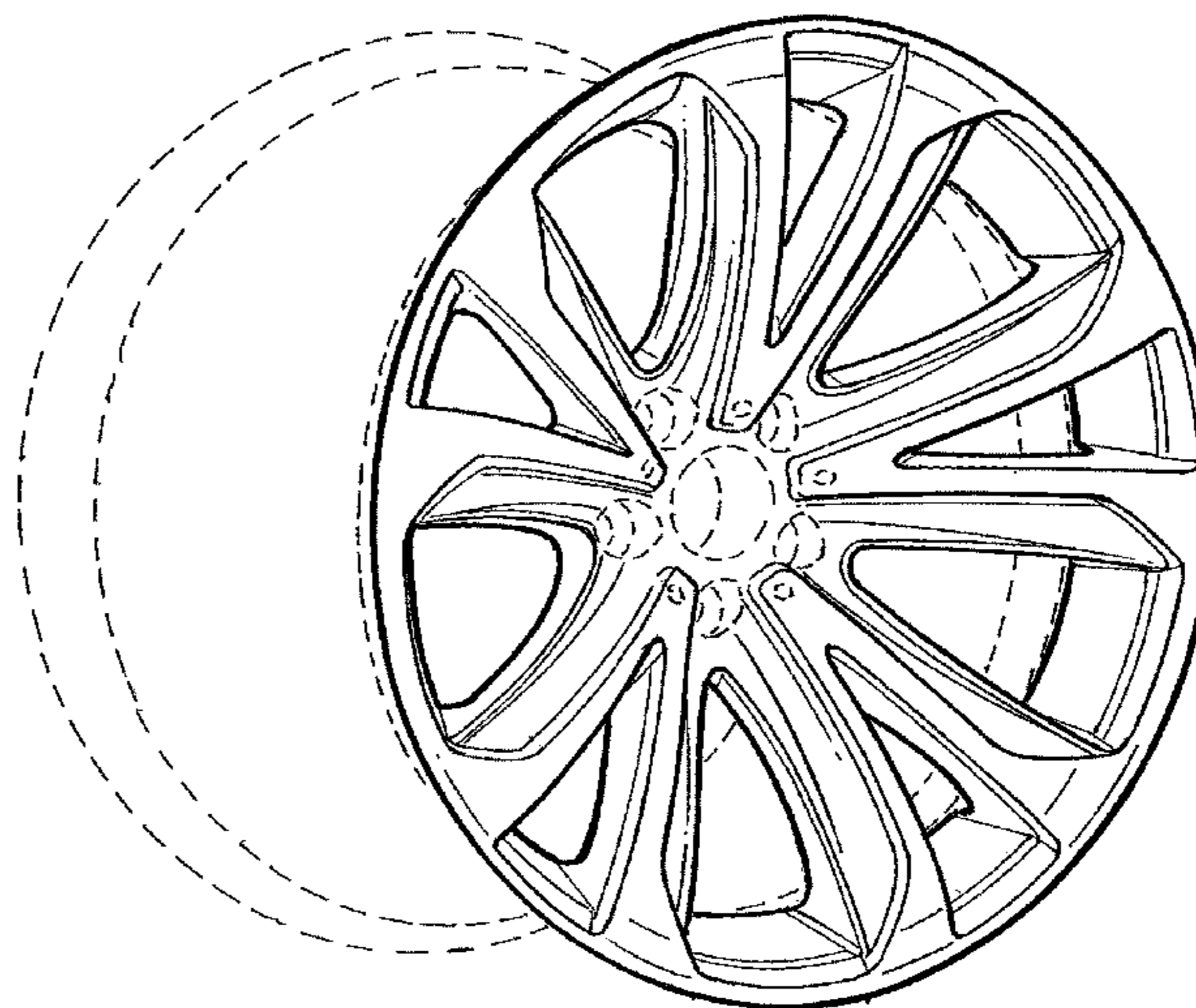
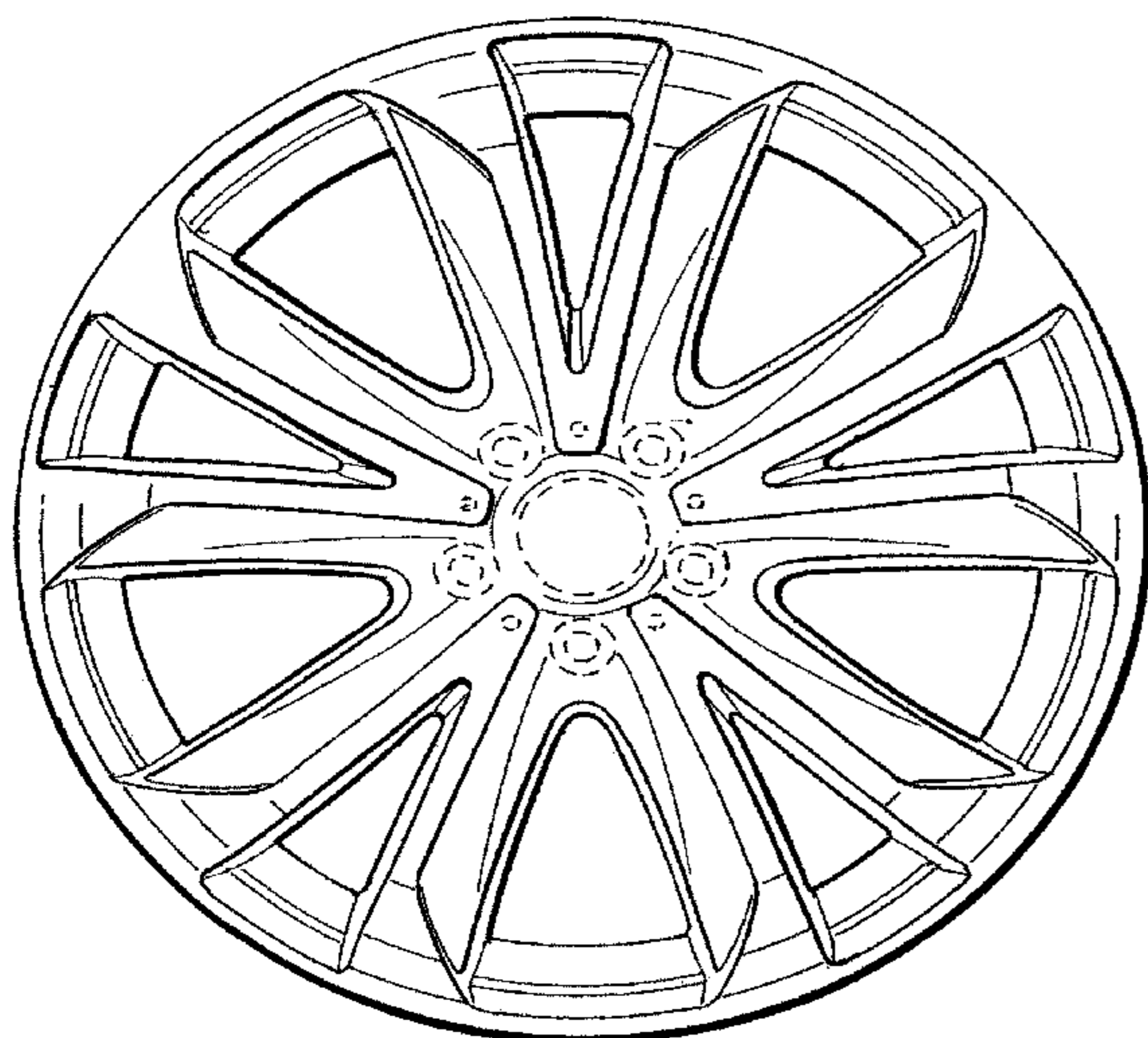
**DESCRIPTION**

FIG. 1 is a front view of a wheel or wheel cover according to my design; and,

FIG. 2 is a perspective view thereof.

The broken line showing of the rear of the wheel and the bolt holes and center opening in the central hub area is included for the purpose of illustrating environment and forms no part of the claimed design.

**1 Claim, 1 Drawing Sheet**



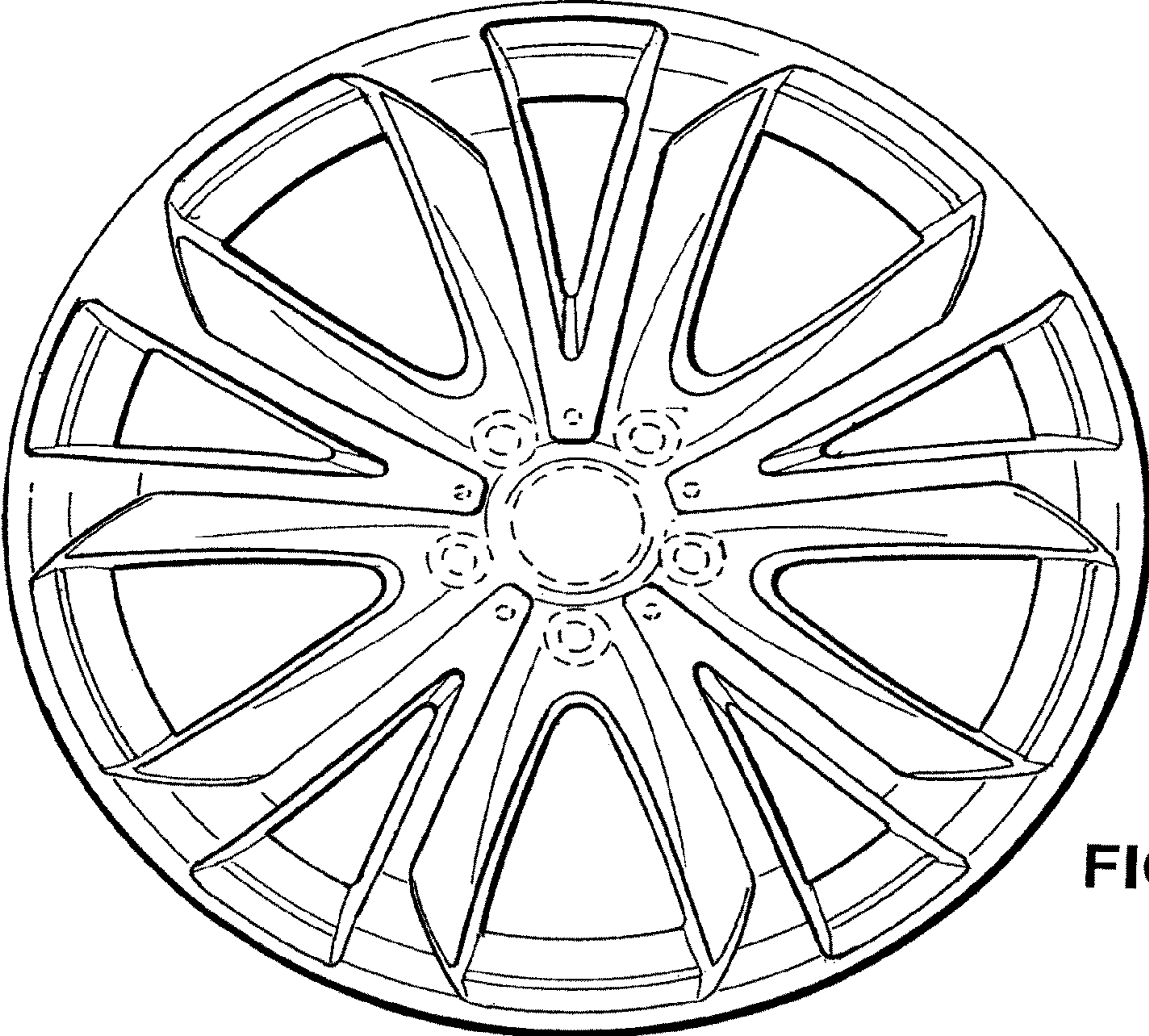


FIG. 1

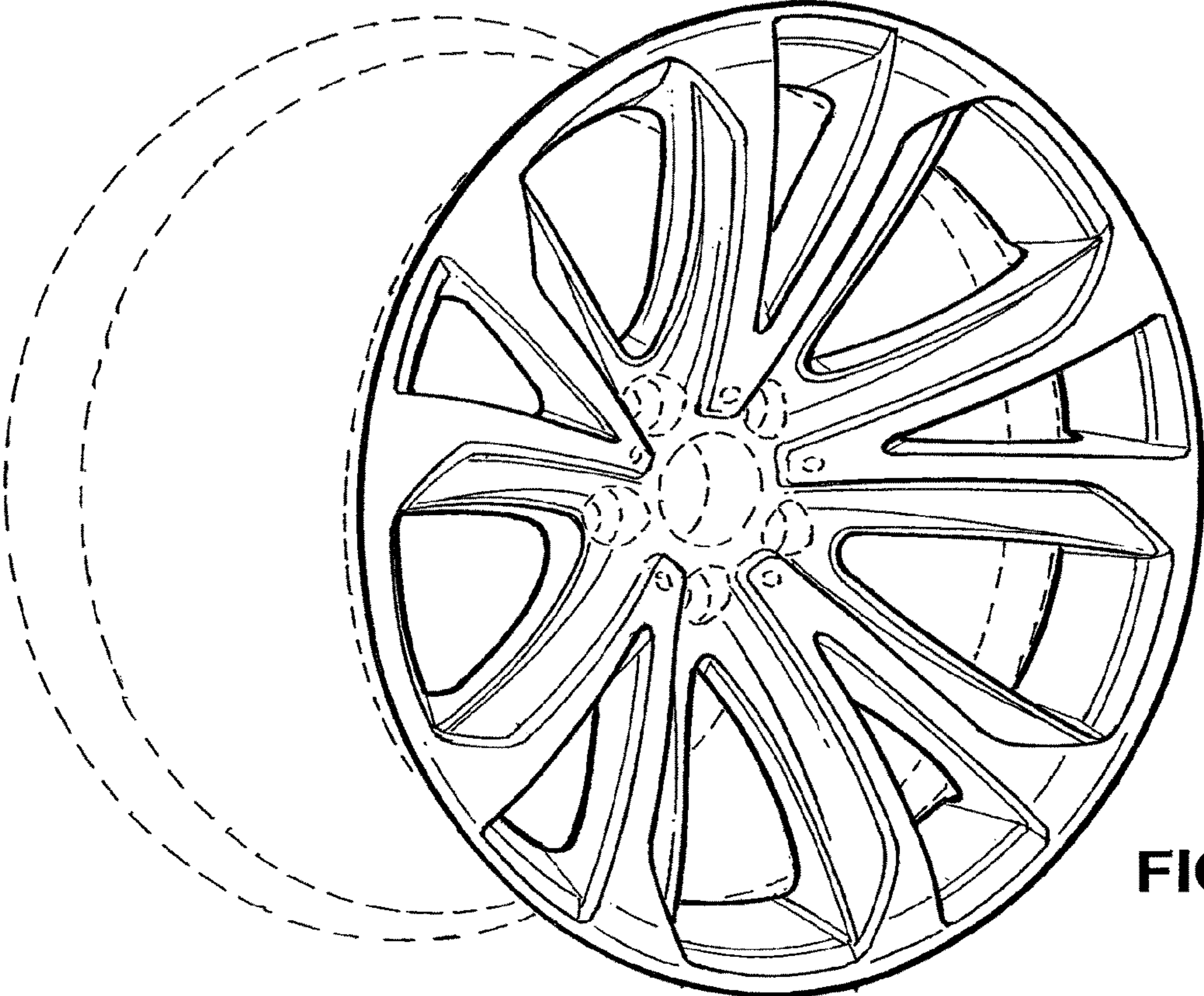


FIG. 2