



US00D672701S

(12) **United States Design Patent**  
**Bildhaeuser et al.**

(10) **Patent No.:** **US D672,701 S**

(45) **Date of Patent:** **\*\* Dec. 18, 2012**

(54) **WHEEL OR WHEEL COVER**

(75) Inventors: **Hans-Peter Bildhaeuser**, Stuttgart (DE);  
**Hans-Dieter Futschik**, Stuttgart (DE);  
**Robert Lesnik**, Stuttgart (DE); **Gorden**  
**Wagener**, Stuttgart (DE)

(73) Assignee: **Daimler AG**, Stuttgart (DE)

(\*\*) Term: **14 Years**

(21) Appl. No.: **29/400,785**

(22) Filed: **Sep. 1, 2011**

(30) **Foreign Application Priority Data**

Mar. 2, 2011 (EM) ..... 001829458-0001

(51) **LOC (9) Cl.** ..... **12-16**

(52) **U.S. Cl.** ..... **D12/211**

(58) **Field of Classification Search** ..... D12/204–213;  
301/37.101, 64.101, 65, 64.201  
See application file for complete search history.

(56) **References Cited**

**U.S. PATENT DOCUMENTS**

D360,179 S \* 7/1995 Fuller ..... D12/211  
D412,693 S \* 8/1999 Kulla ..... D12/211

D466,852 S \* 12/2002 Pfeiffer et al. .... D12/211  
D510,719 S \* 10/2005 Noble ..... D12/211  
D527,329 S \* 8/2006 Pfeiffer ..... D12/211  
D536,294 S \* 2/2007 Laengerer ..... D12/211  
D583,741 S \* 12/2008 Huet ..... D12/211  
D589,425 S \* 3/2009 Theiss ..... D12/209  
D589,865 S \* 4/2009 Jung et al. .... D12/209  
D593,921 S \* 6/2009 Miyazawa ..... D12/211  
D619,072 S \* 7/2010 Gallert ..... D12/211  
D623,574 S \* 9/2010 Thompson ..... D12/211

\* cited by examiner

*Primary Examiner* — Stacia Cadmus

(74) *Attorney, Agent, or Firm* — Crowell & Moring LLP

(57) **CLAIM**

The ornamental design for a wheel or wheel cover, as shown and described.

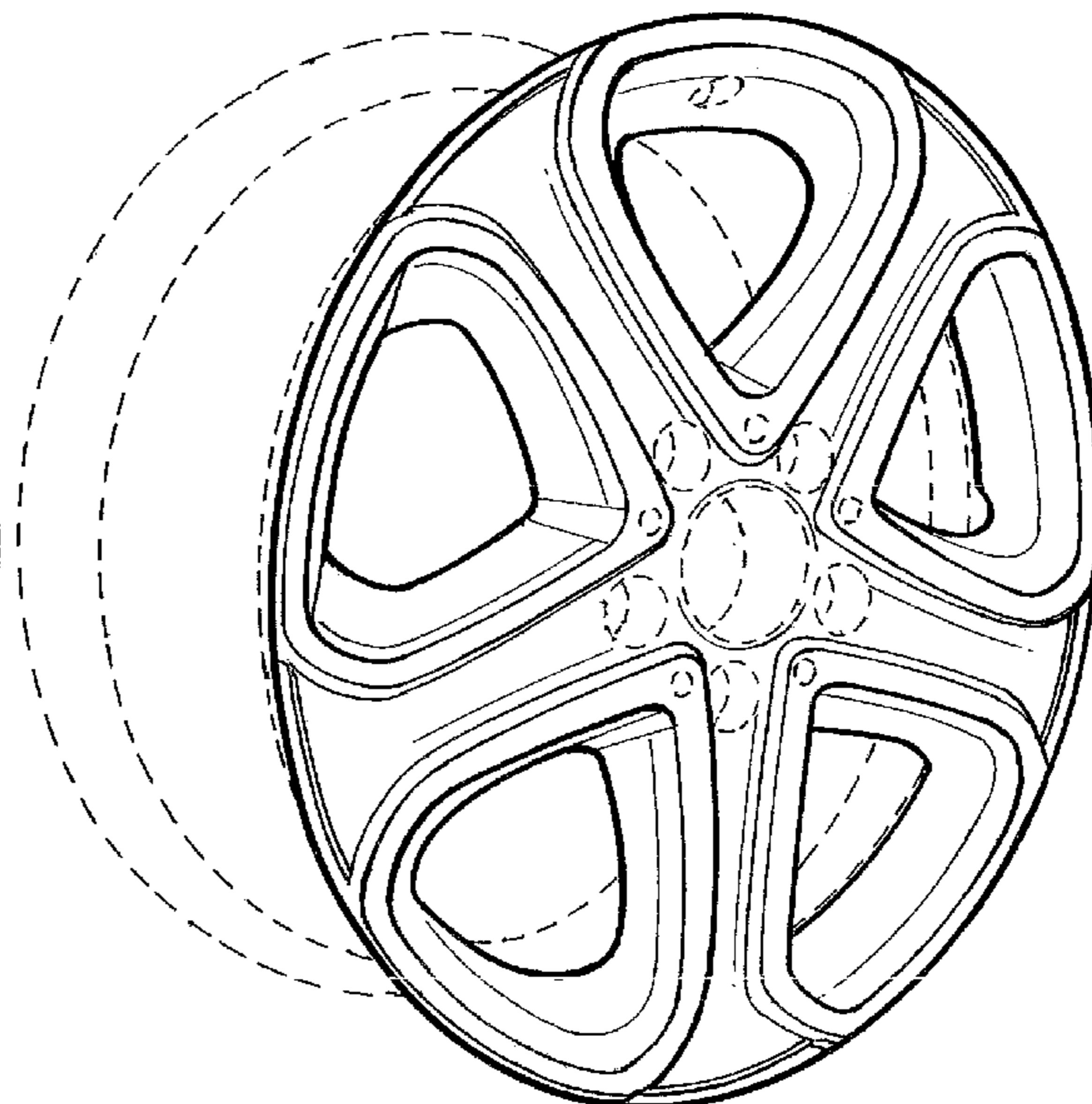
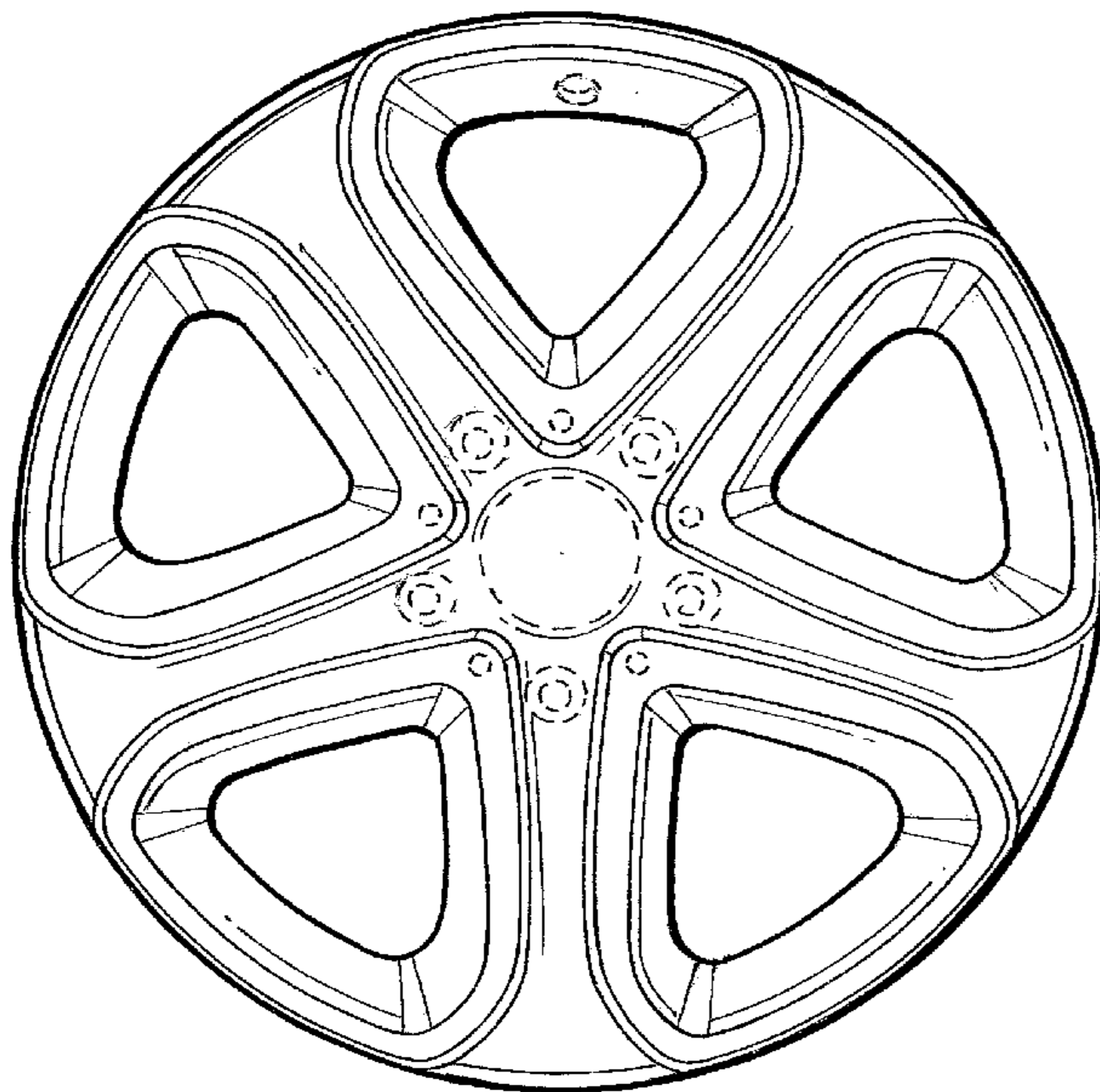
**DESCRIPTION**

FIG. 1 is a front view of a wheel or wheel cover according to our design; and,

FIG. 2 is a perspective view thereof.

The broken line showing of the rear of the wheel, the valve stem hole and the bolt holes and center opening in the central hub area is included for the purpose of illustrating environment and forms no part of the claimed design.

**1 Claim, 1 Drawing Sheet**



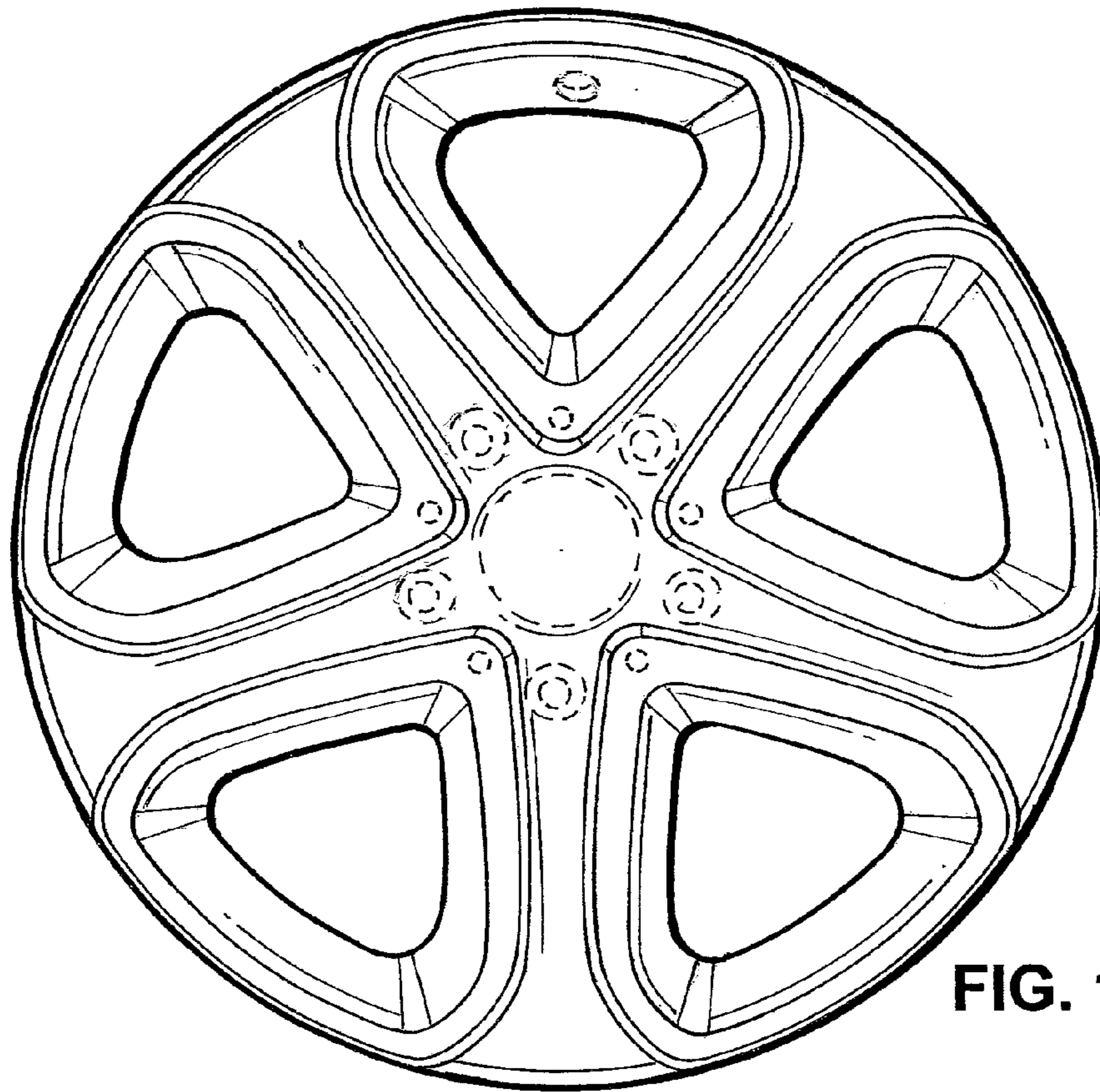


FIG. 1

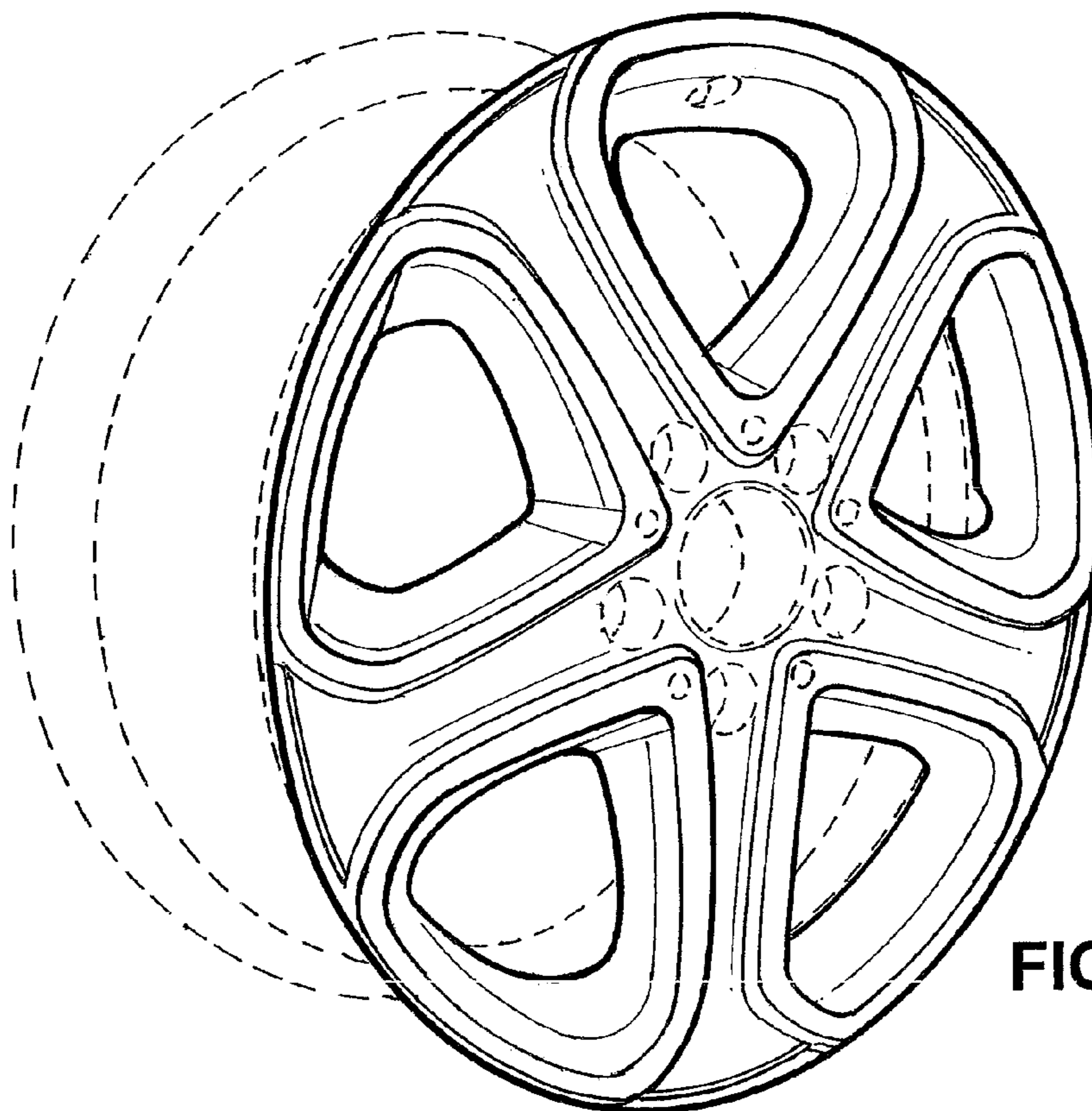


FIG. 2