



US00D672700S

(12) **United States Design Patent**
Kuninari et al.

(10) **Patent No.:** **US D672,700 S**

(45) **Date of Patent:** **** Dec. 18, 2012**

(54) **WHEEL FOR MOTOR VEHICLE**

(75) Inventors: **Hiroshi Kuninari**, Hiroshima (JP);
Nobutaka Tsuchie, Hiroshima (JP);
Yasuo Suzuki, Hiroshima (JP)

(73) Assignee: **Mazda Motor Company** (JP)

(**) Term: **14 Years**

(21) Appl. No.: **29/385,600**

(22) Filed: **Feb. 16, 2011**

(30) **Foreign Application Priority Data**

Aug. 19, 2010 (JP) D2010-020079

(51) **LOC (9) Cl.** **12-16**

(52) **U.S. Cl.** **D12/209**

(58) **Field of Classification Search** D12/204-213;
301/37.101, 64.101, 65, 64.201

See application file for complete search history.

(56) **References Cited**

U.S. PATENT DOCUMENTS

D590,757 S *	4/2009	Froehlich	D12/209
D608,713 S *	1/2010	Bucher et al.	D12/209
D625,675 S *	10/2010	Juergens et al.	D12/209
D635,904 S *	4/2011	Futschik et al.	D12/209
D639,716 S *	6/2011	Juergens et al.	D12/211
D644,155 S *	8/2011	Truebsbach	D12/209
D644,588 S *	9/2011	Schweizer	D12/211
D651,956 S *	1/2012	Ectors et al.	D12/209

D659,068 S *	5/2012	Johnson	D12/211
D660,762 S *	5/2012	Gabath	D12/209
D663,670 S *	7/2012	Juergens et al.	D12/211

FOREIGN PATENT DOCUMENTS

EM	000854476-0003	3/2008
EM	001175699-0001	11/2009
EM	001110902-0001	12/2009
JP	1354063	3/2009

OTHER PUBLICATIONS

Bayerische Motoren Werke Aktiengesellschaft; RCD—Online; 000854476-0003; Mar. 6, 2008.

Bayerische Motoren Werke Aktiengesellschaft; RCD—Online; 001110902-0001; Dec. 21, 2009.

O.Z. S.p.A.; RCD—Online; 001175699-0001; Nov. 10, 2009.

* cited by examiner

Primary Examiner — Stacia Cadmus

(74) *Attorney, Agent, or Firm* — Studebaker & Brackett PC; Donald R. Studebaker

(57) **CLAIM**

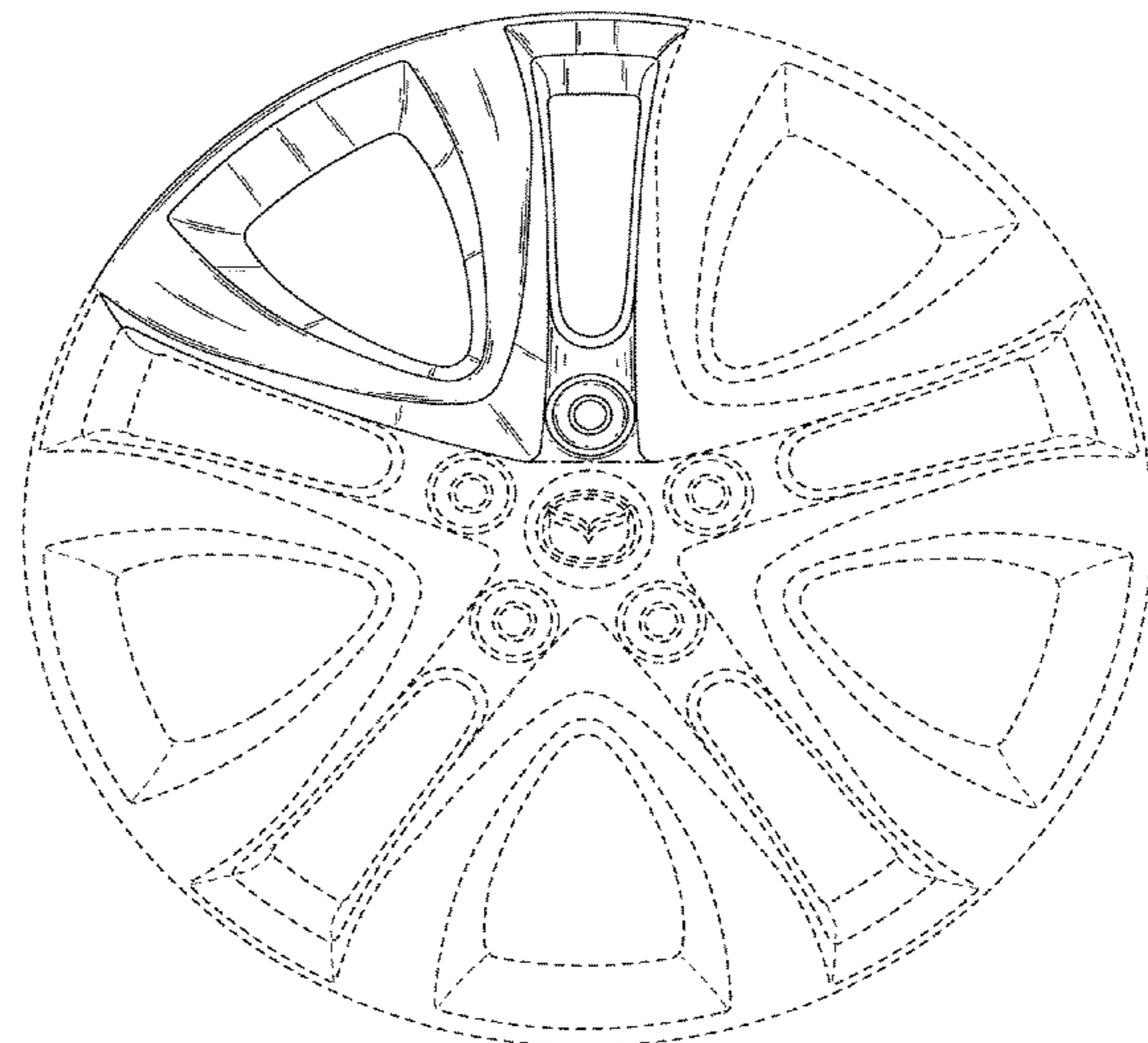
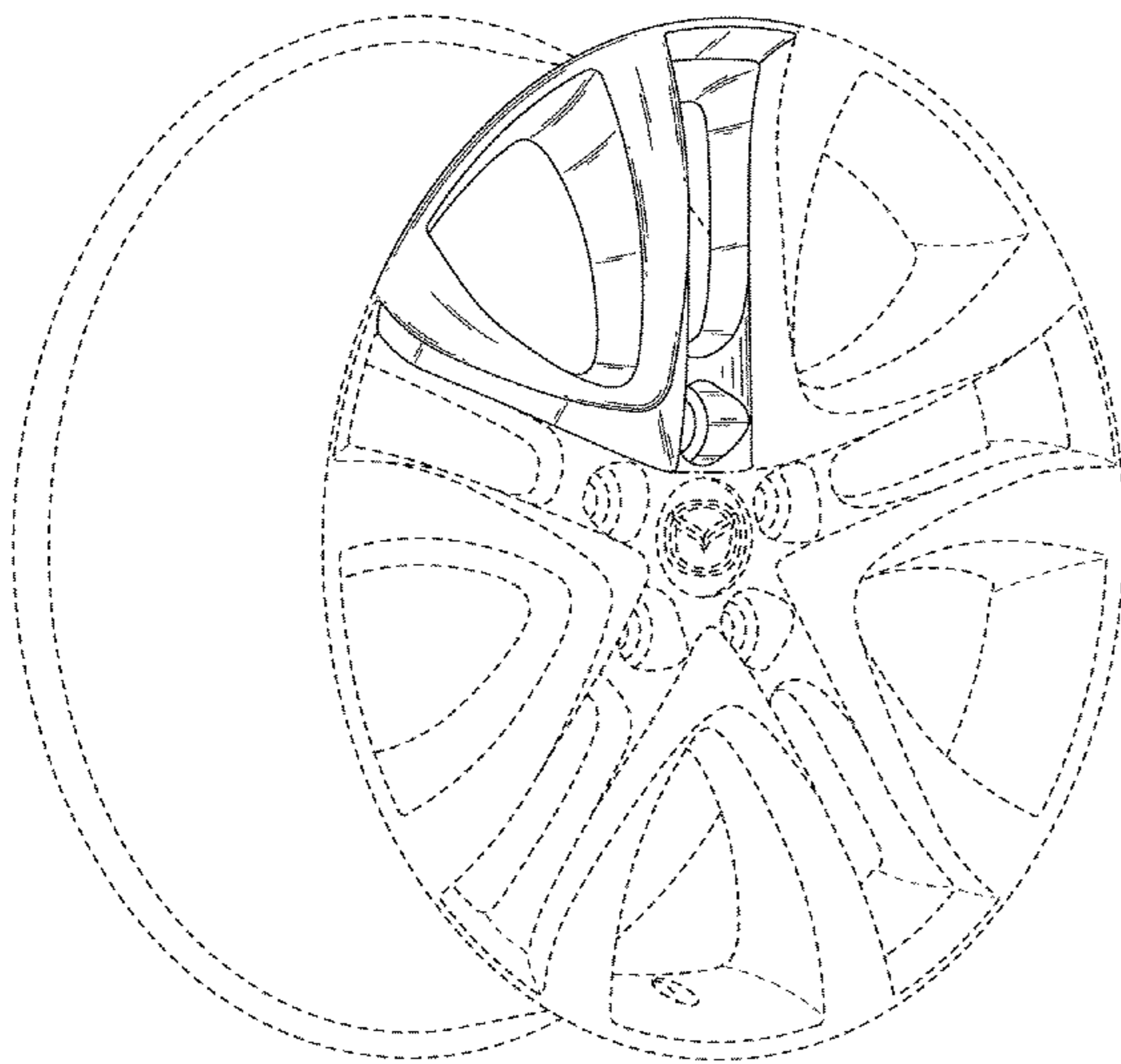
The ornamental design for a wheel for motor vehicle, as shown and described.

DESCRIPTION

FIG. 1 is a perspective view of a wheel for motor vehicle; and, FIG. 2 is a front view thereof.

The portion shown by broken lines is for illustrative purposes only and forms no part of the claimed design. The dashed lines show a borderline between the claimed design and other portion.

1 Claim, 2 Drawing Sheets



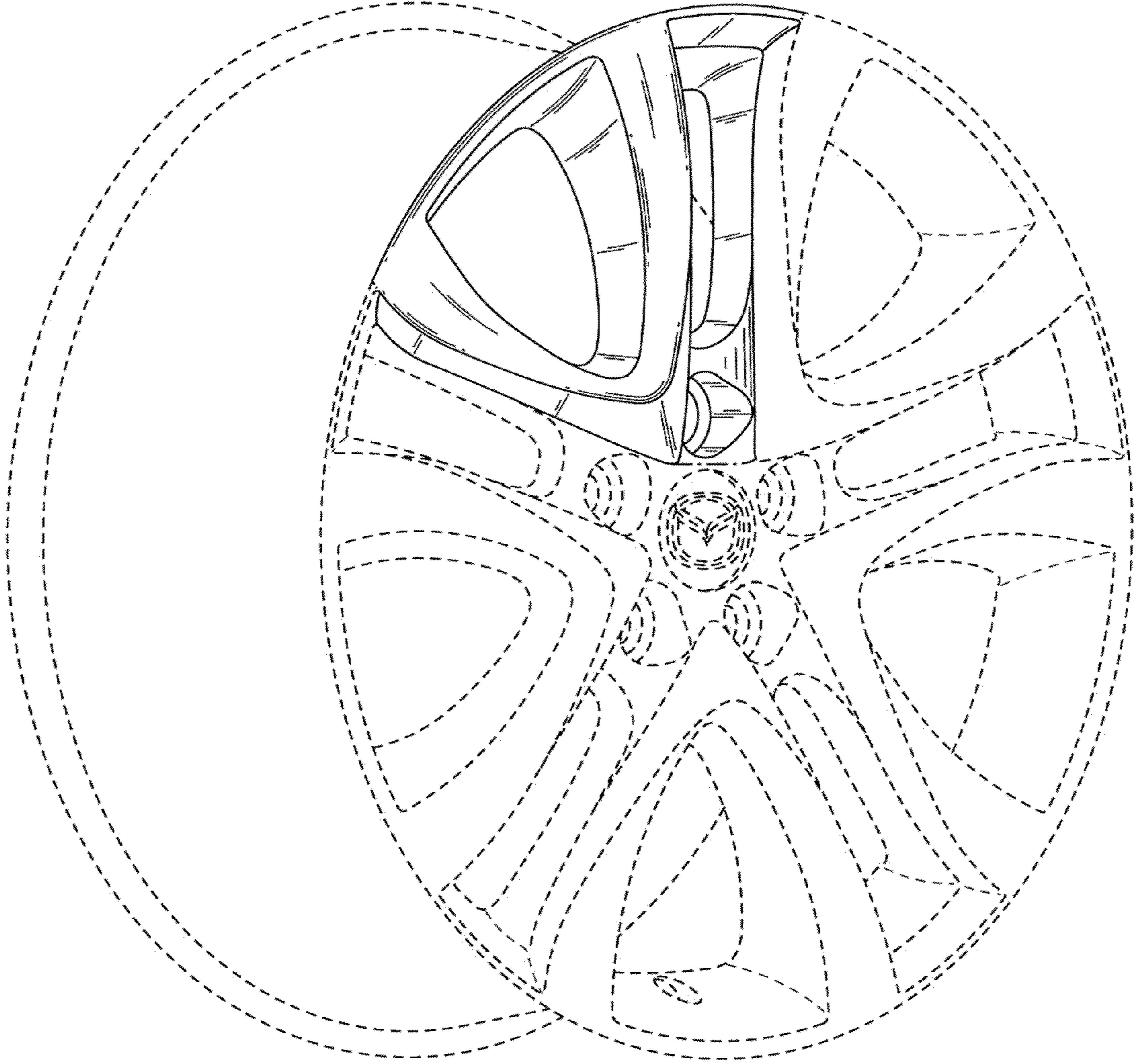


FIG. 1

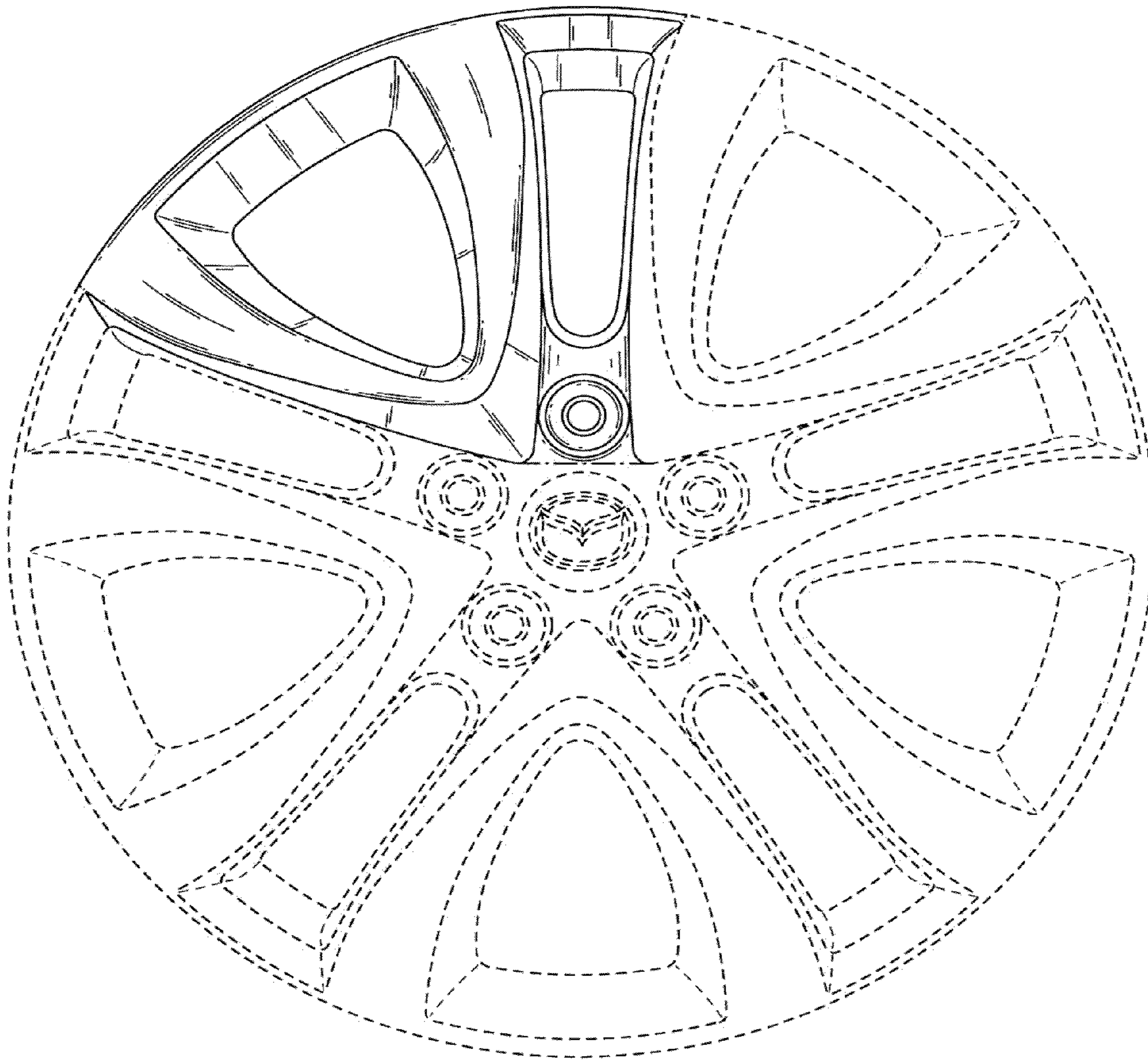


FIG. 2