



US00D672694S

(12) **United States Design Patent**  
**Cooper, Sr. et al.**

(10) **Patent No.:** **US D672,694 S**

(45) **Date of Patent:** **\*\* Dec. 18, 2012**

(54) **TIE ROD HEAD ACCESSORY**

D566,630 S \* 4/2008 Ortiz ..... D12/159

(76) Inventors: **John L. Cooper, Sr.**, Carrollton, OH  
(US); **Richard G. Boring**, Carrollton,  
OH (US)

\* cited by examiner

*Primary Examiner* — Doris Clark

(74) *Attorney, Agent, or Firm* — Sand & Sebolt

(\*\*) Term: **14 Years**

(21) Appl. No.: **29/388,304**

(22) Filed: **Mar. 28, 2011**

(51) **LOC (9) Cl.** ..... **12-16**

(52) **U.S. Cl.** ..... **D12/159**

(58) **Field of Classification Search** ..... D12/159,  
D12/223; 280/93.511; 403/90, 91, 135;  
74/579 R

See application file for complete search history.

(57) **CLAIM**

The ornamental design for a tie rod head accessory, as shown and described.

**DESCRIPTION**

FIG. 1 is a perspective view of a tie rod head accessory showing a new design;

FIG. 2 is a top plan view thereof;

FIG. 3 is a bottom plan view thereof;

FIG. 4 is a front side elevational view thereof;

FIG. 5 is a rear side elevational view thereof;

FIG. 6 is a left side elevational view thereof; and,

FIG. 7 is a right side elevational view thereof.

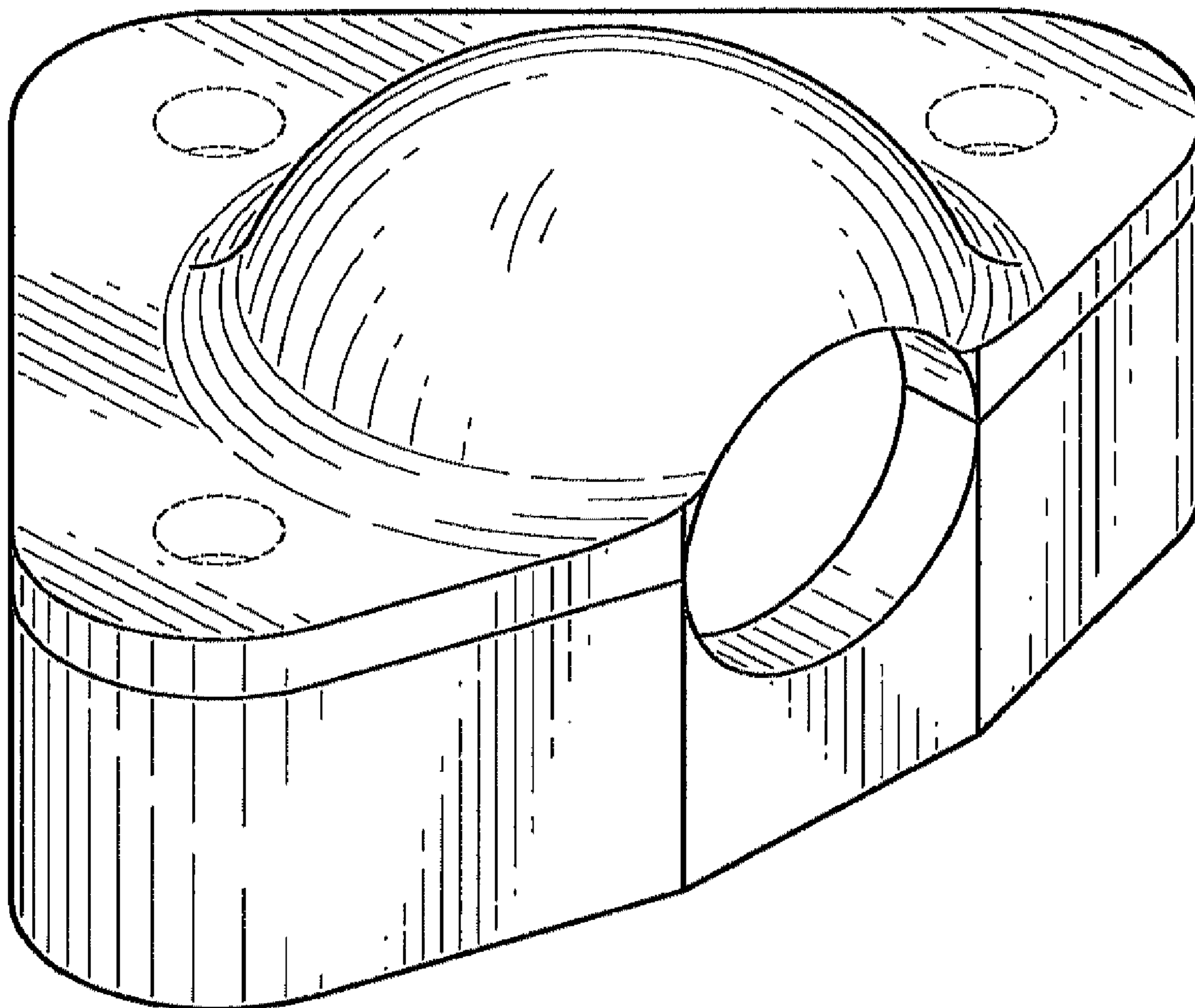
(56) **References Cited**

**U.S. PATENT DOCUMENTS**

5,157,987 A \* 10/1992 Satoh et al. .... 74/581

6,561,715 B2 \* 5/2003 Wasylewski et al. .... 403/71

**1 Claim, 4 Drawing Sheets**



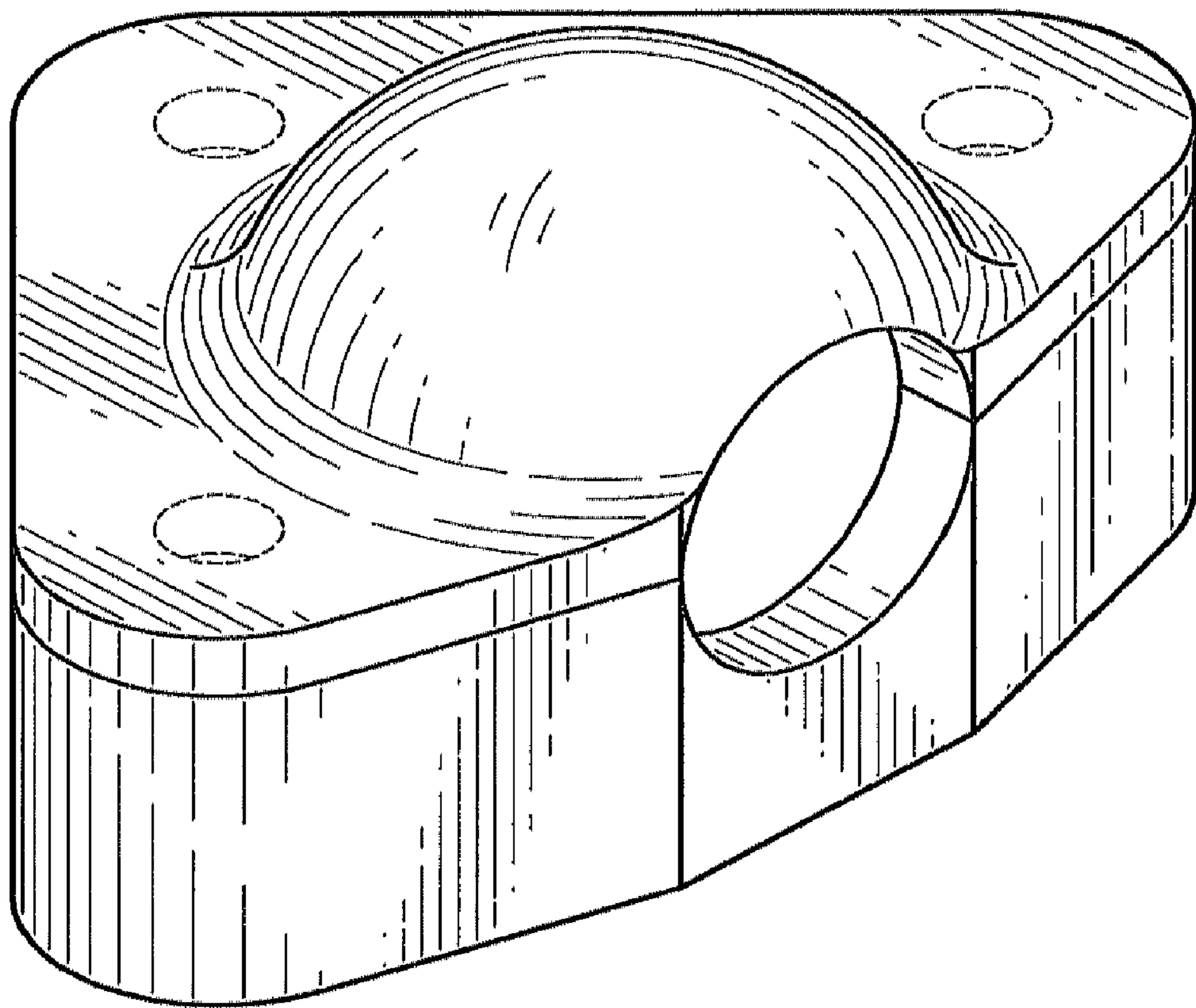


FIG-1

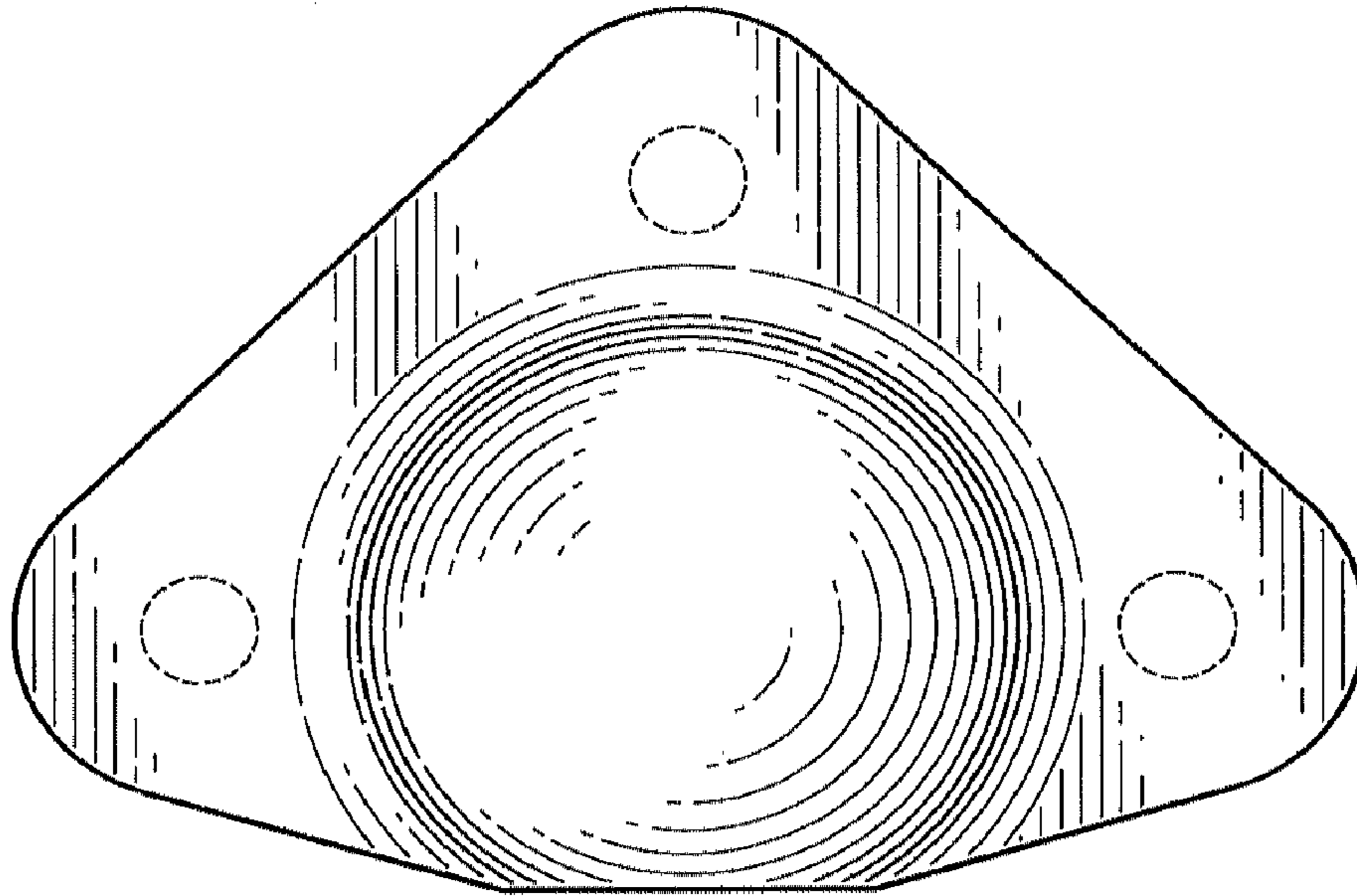


FIG-2

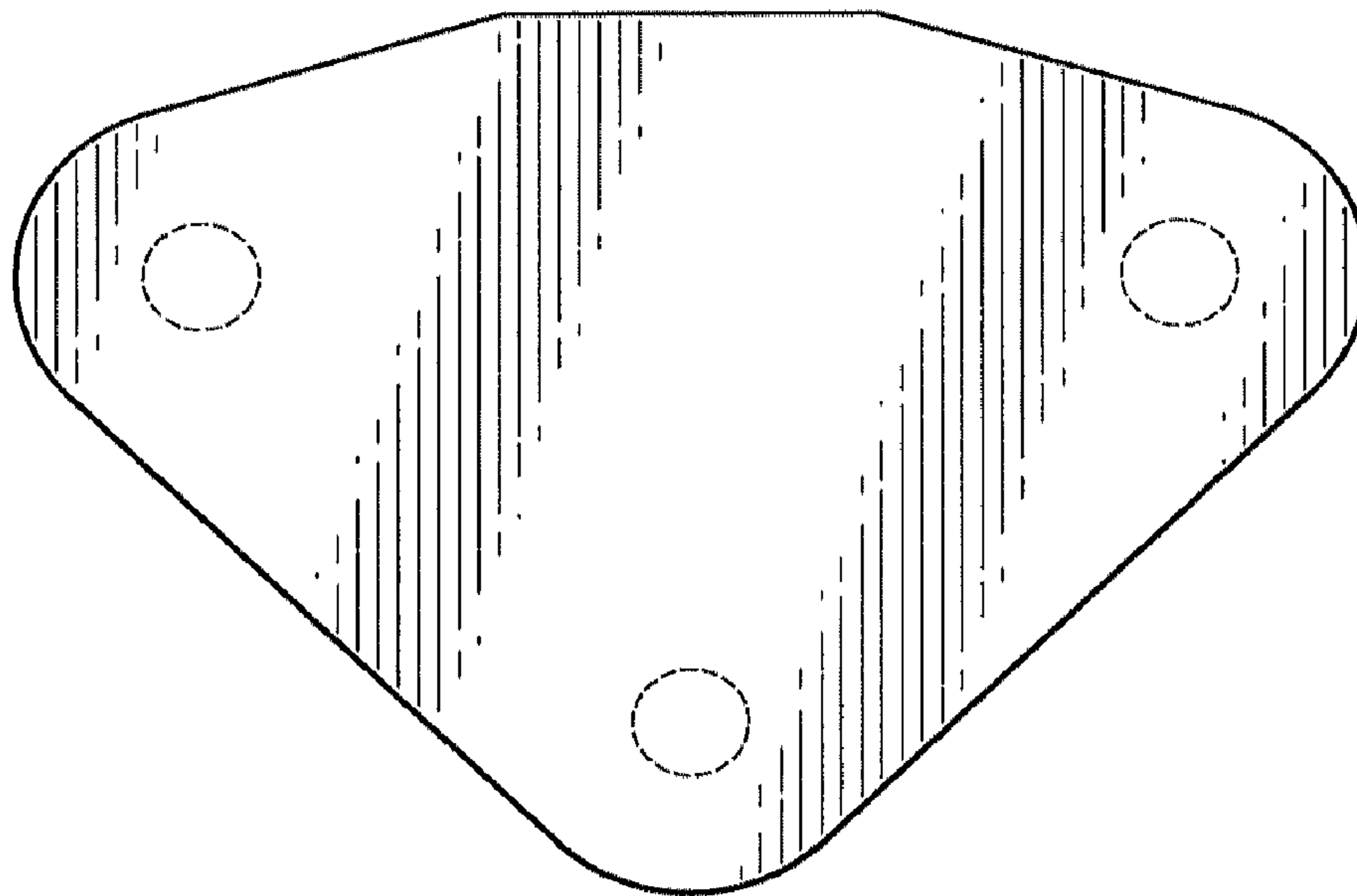


FIG-3

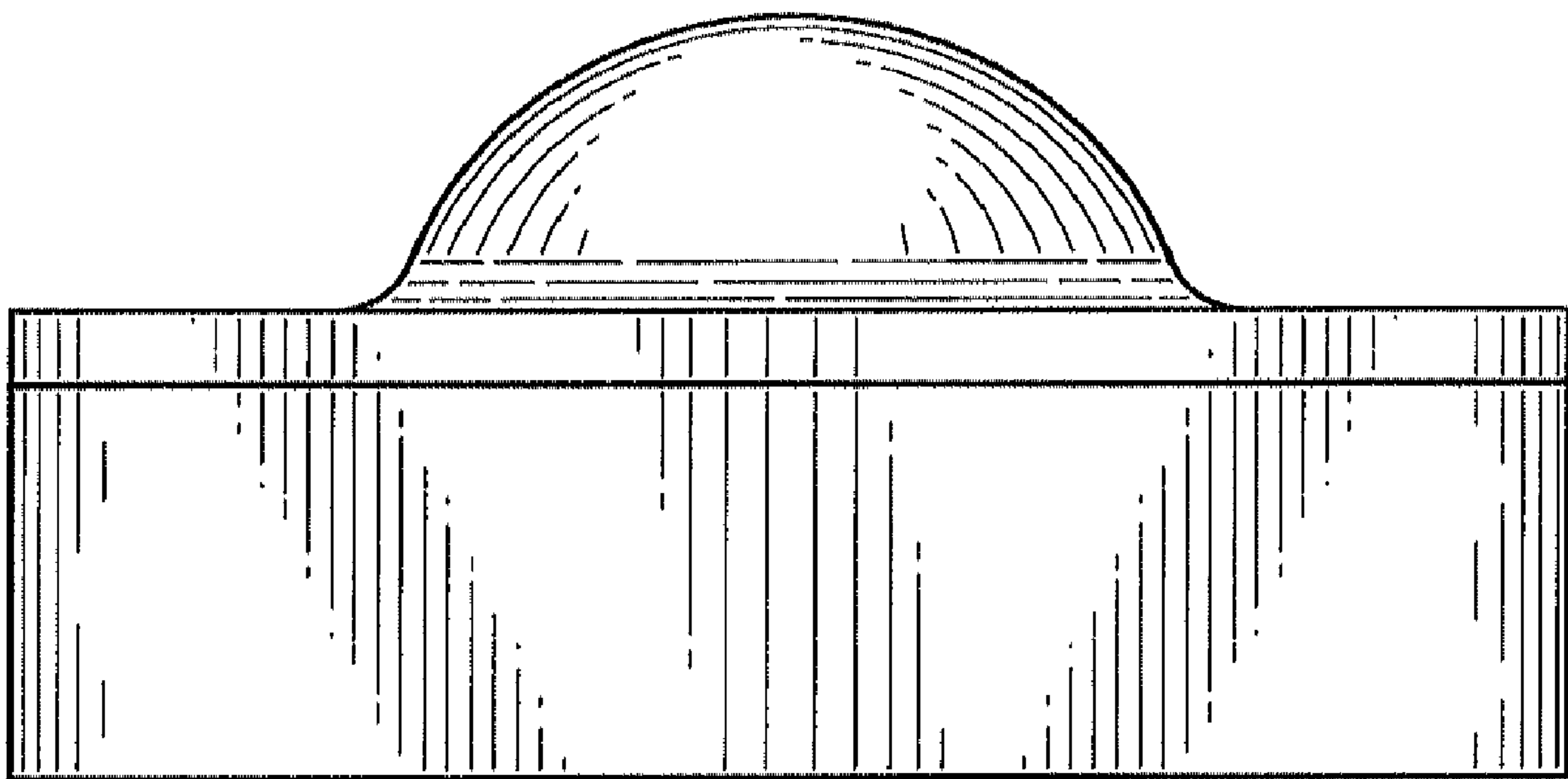


FIG-5

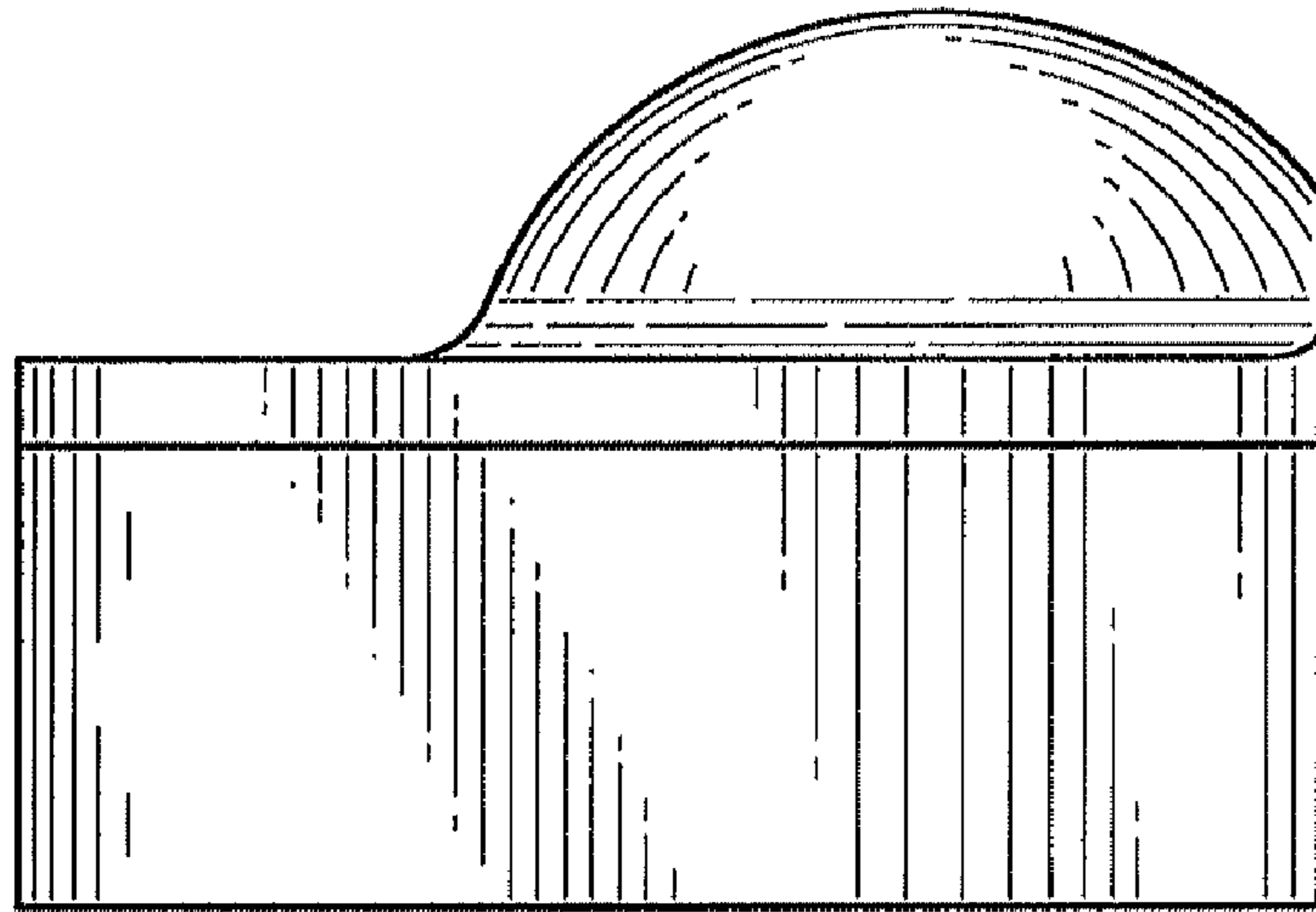


FIG-6

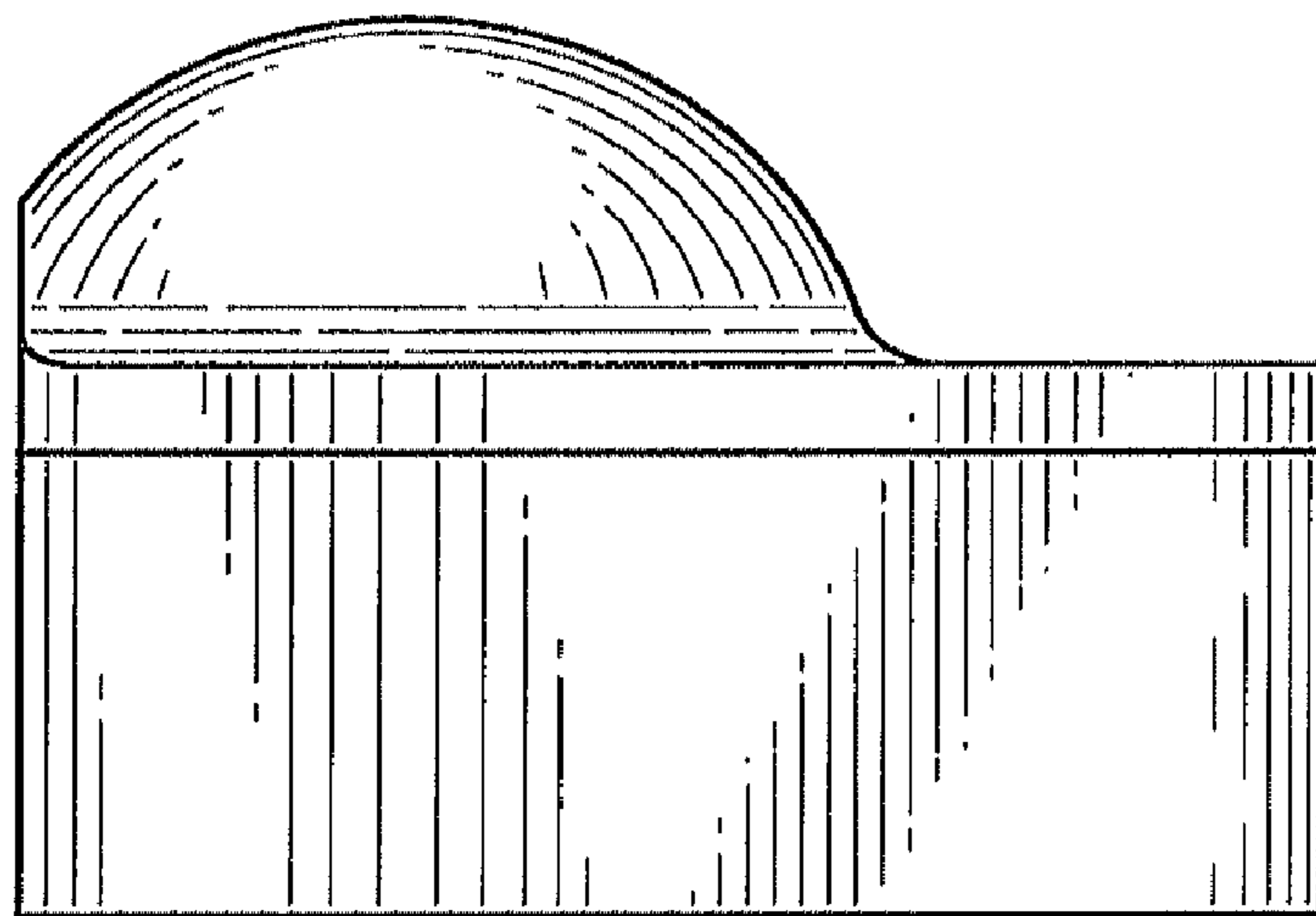


FIG-7