



US00D672693S

(12) **United States Design Patent**  
**Yuan**

(10) **Patent No.:** **US D672,693 S**  
(45) **Date of Patent:** **\*\* Dec. 18, 2012**

(54) **STROLLER FRAME**

D621,306 S \* 8/2010 Liao ..... D12/129  
D654,406 S \* 2/2012 Henry ..... D12/129  
D661,624 S \* 6/2012 Stopp ..... D12/129

(75) Inventor: **Jia Liang Yuan**, Taipei (TW)

\* cited by examiner

(73) Assignee: **Wonderland Nurserygoods Company Limited**, Hong Kong (HK)

*Primary Examiner* — Ian Simmons

*Assistant Examiner* — Charles Hanson

(\*\*) Term: **14 Years**

(74) *Attorney, Agent, or Firm* — Bacon & Thomas, PLLC

(21) Appl. No.: **29/413,048**

(22) Filed: **Feb. 10, 2012**

(57) **CLAIM**

The ornamental design for a stroller frame, as shown and described.

(51) **LOC (9) Cl.** ..... **12-12**

(52) **U.S. Cl.** ..... **D12/129**

(58) **Field of Classification Search** ..... D12/128-133;  
280/62, 647-650, 29, 200, 47.38, 250.1,  
280/259, 642, 658, 304.1; 128/99.1, 100.1  
See application file for complete search history.

**DESCRIPTION**

(56) **References Cited**

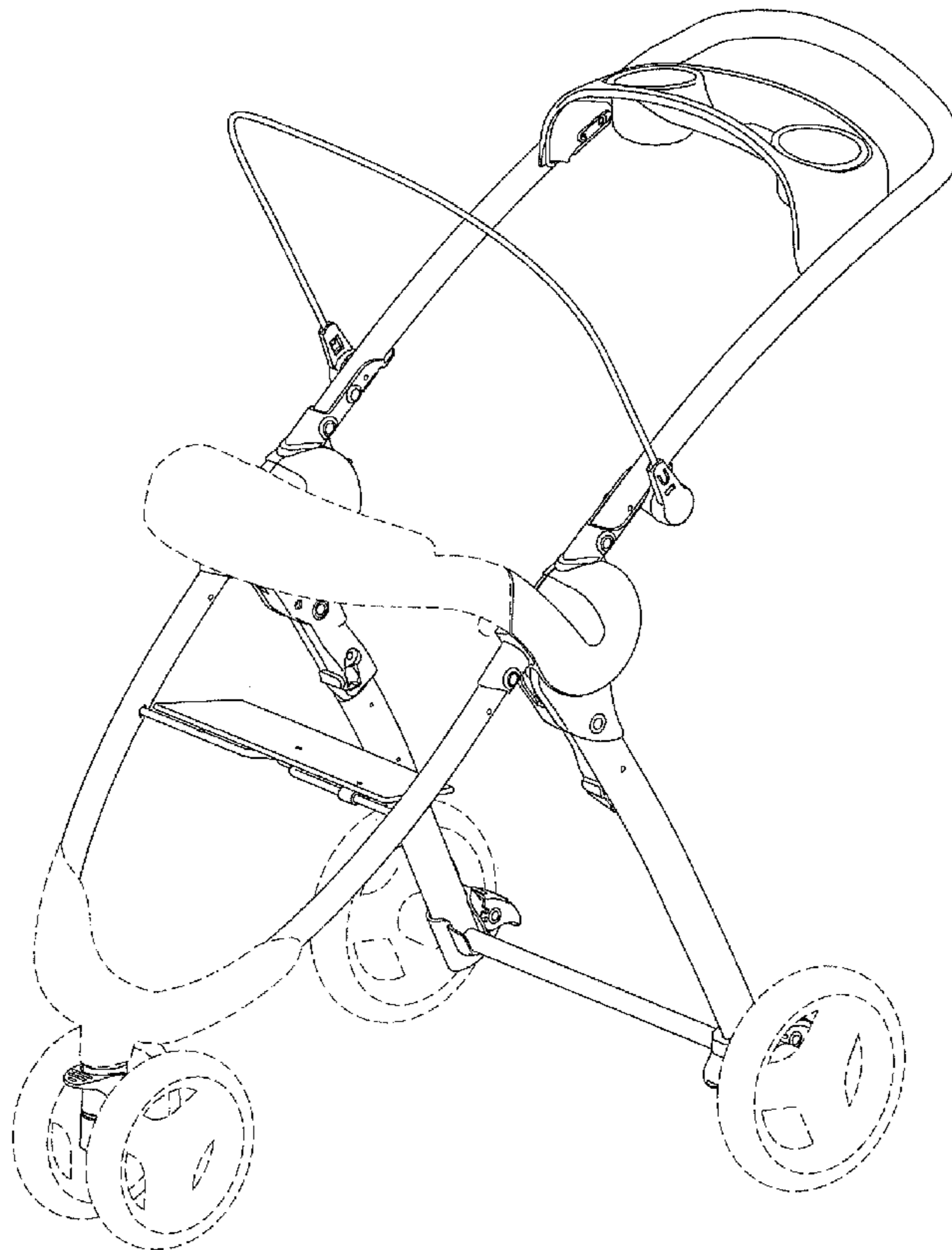
**U.S. PATENT DOCUMENTS**

D451,434	S	*	12/2001	Hsia	.....	D12/129
D486,430	S	*	2/2004	Chang	.....	D12/129
D519,421	S	*	4/2006	Huang	.....	D12/129
D519,422	S	*	4/2006	Huang	.....	D12/129
7,267,359	B1	*	9/2007	Yang et al.	.....	280/642
D566,013	S	*	4/2008	Wang	.....	D12/129
7,364,171	B2	*	4/2008	Hu	.....	280/47.38
D571,263	S	*	6/2008	Lai	.....	D12/129
D578,045	S	*	10/2008	Liao	.....	D12/129
D578,936	S	*	10/2008	Chen	.....	D12/129

FIG. 1 is a perspective view of a stroller frame showing my new design;  
FIG. 2 is a front view of the stroller frame of the new design;  
FIG. 3 is a rear view of the stroller frame of the new design;  
FIG. 4 is a top view of the stroller frame of the new design;  
FIG. 5 is a bottom view of the stroller frame of the new design;  
FIG. 6 is a left-side view of the stroller frame of the new design; and,  
FIG. 7 is a right-side view of the stroller frame of the new design.

The broken line showing is included for the purpose of illustrating environment and forms no part of the claimed design.

**1 Claim, 7 Drawing Sheets**



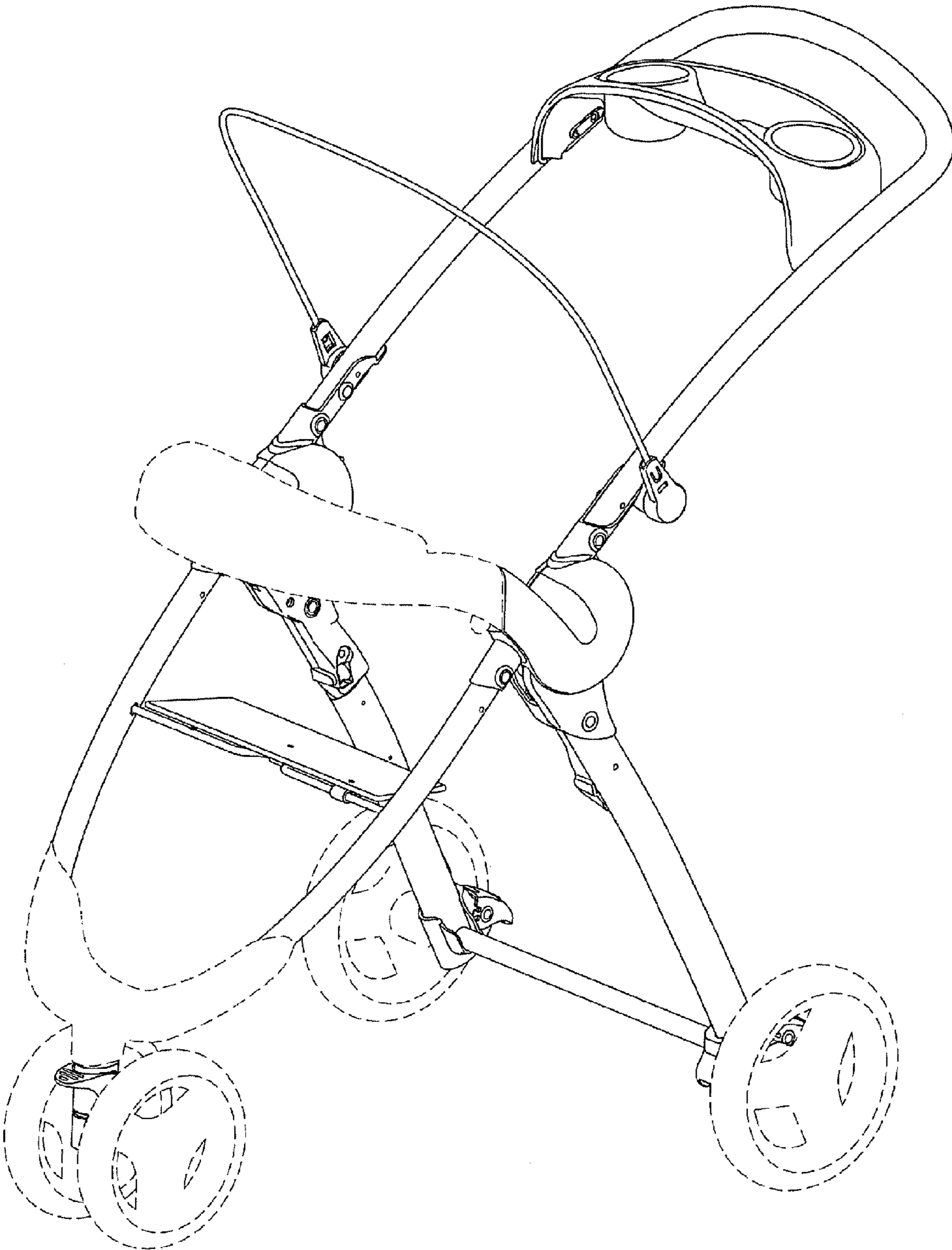


FIG. 1

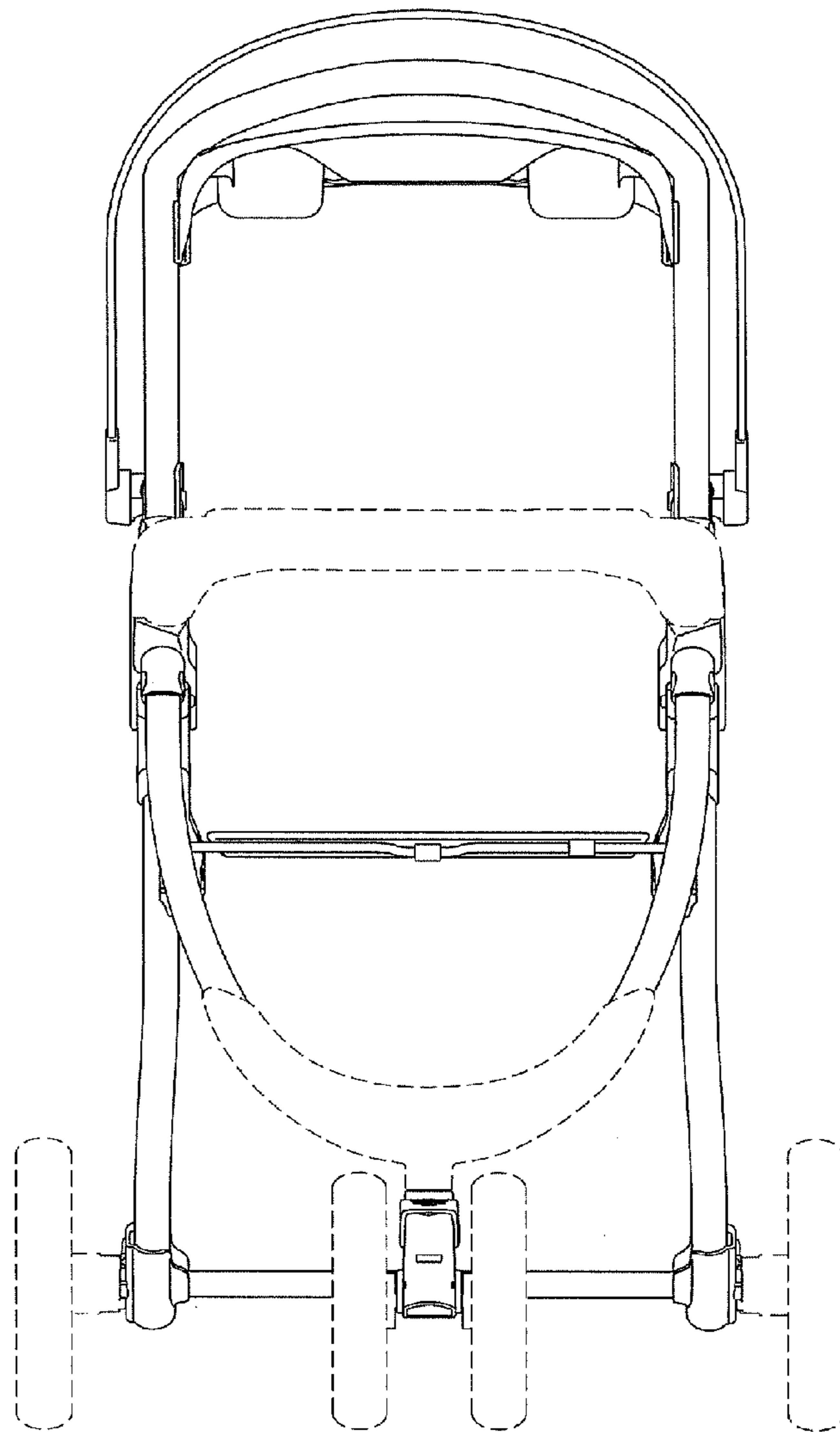


FIG. 2

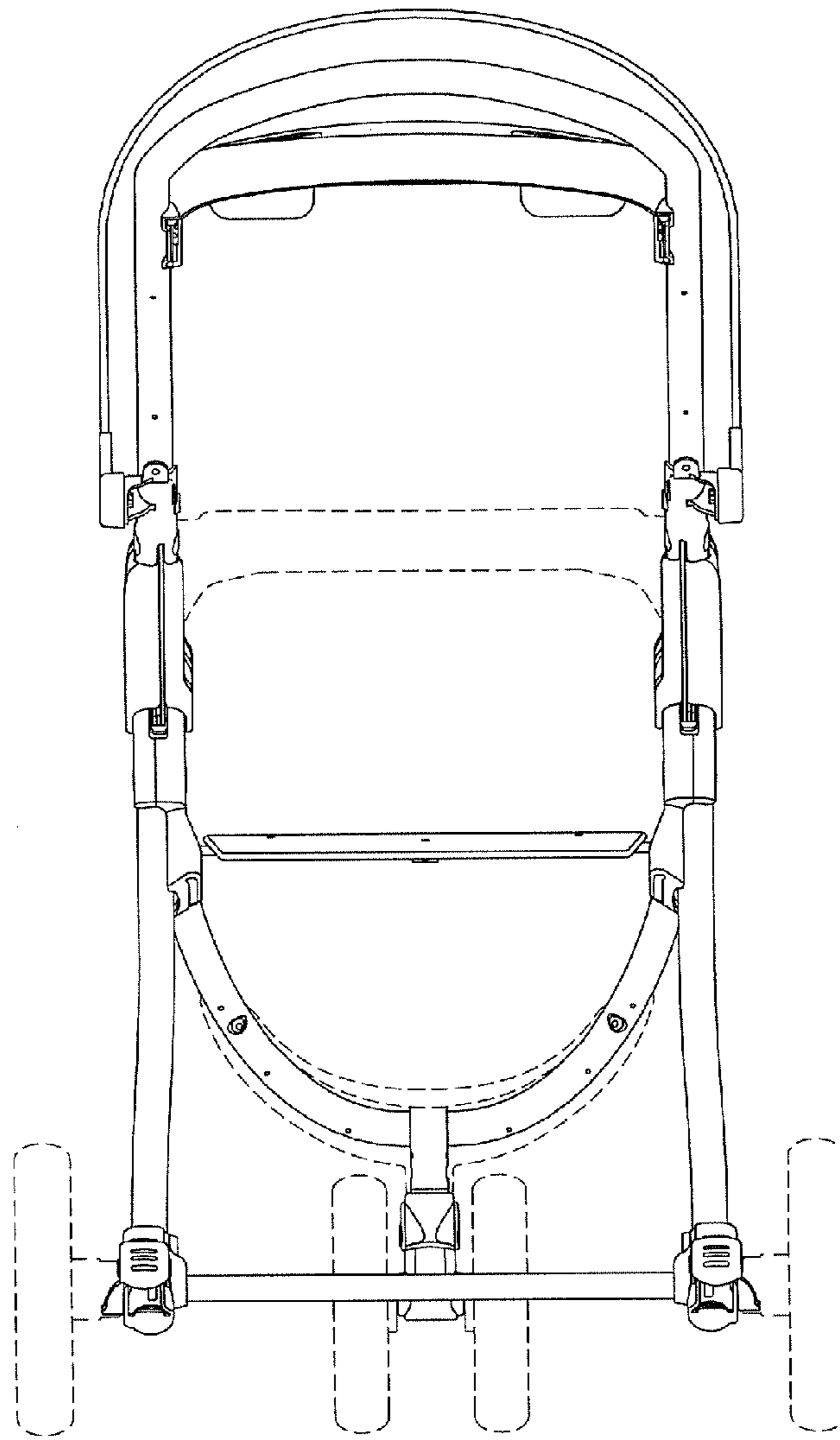


FIG. 3

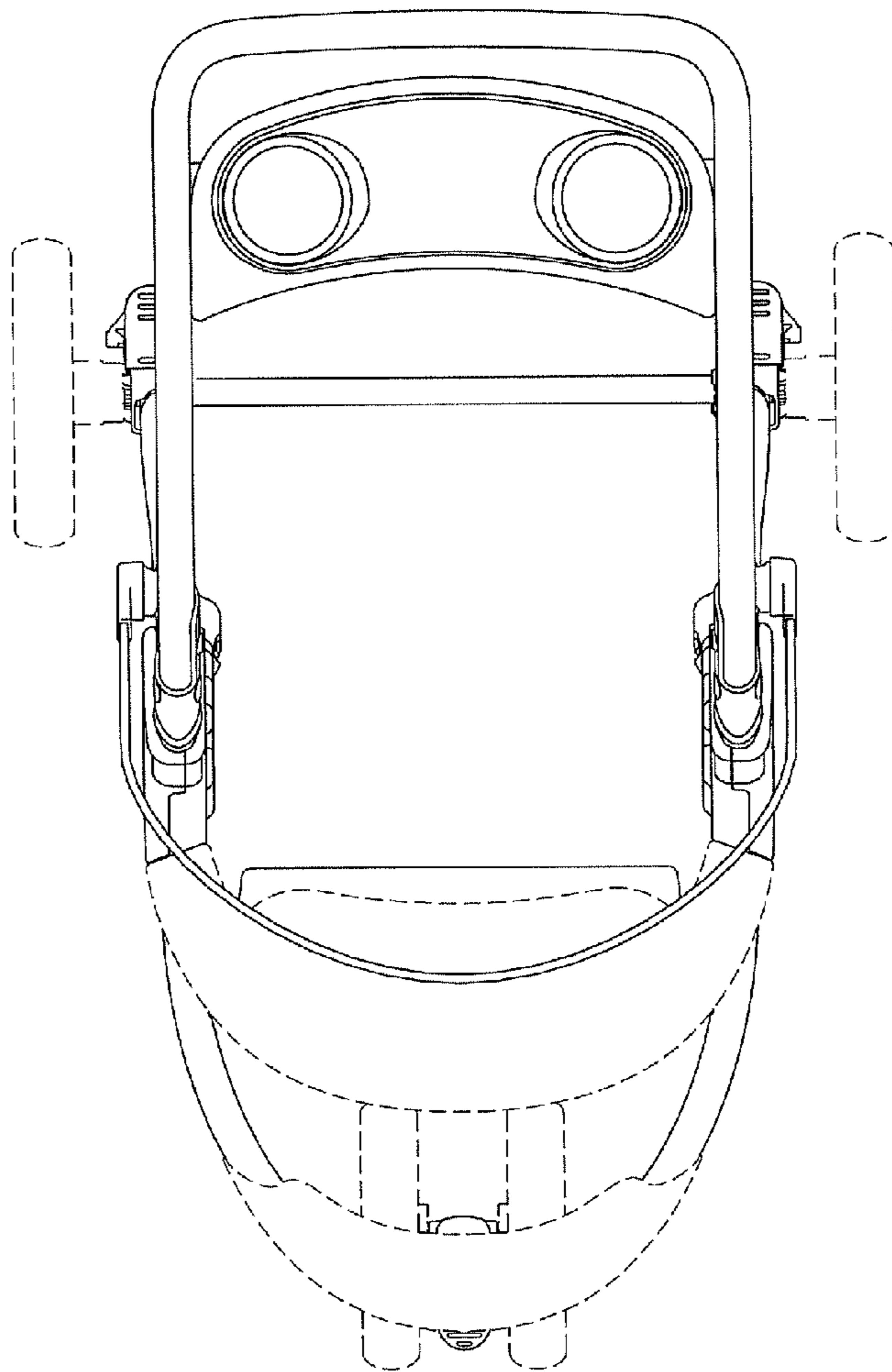


FIG. 4

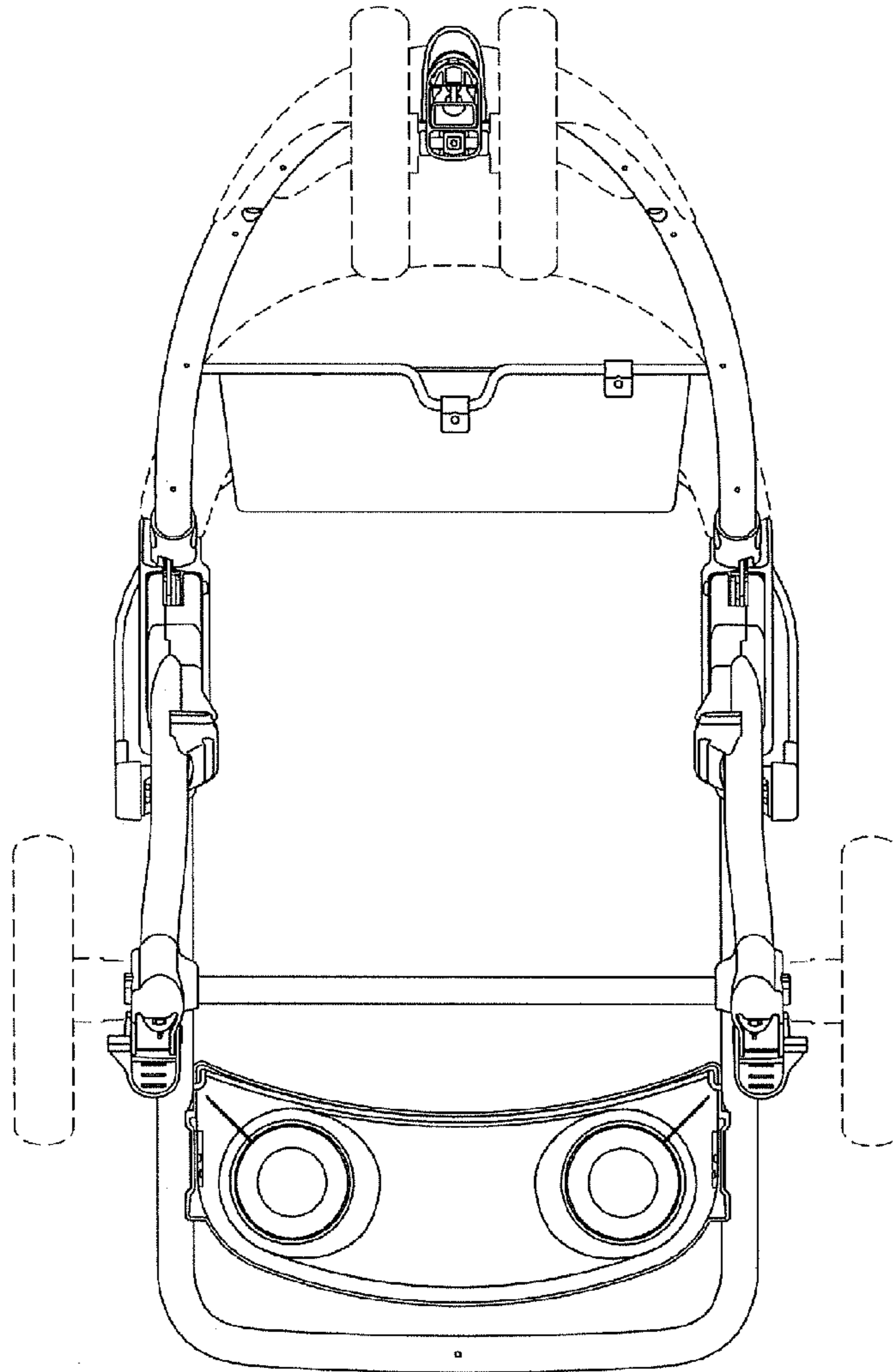


FIG. 5

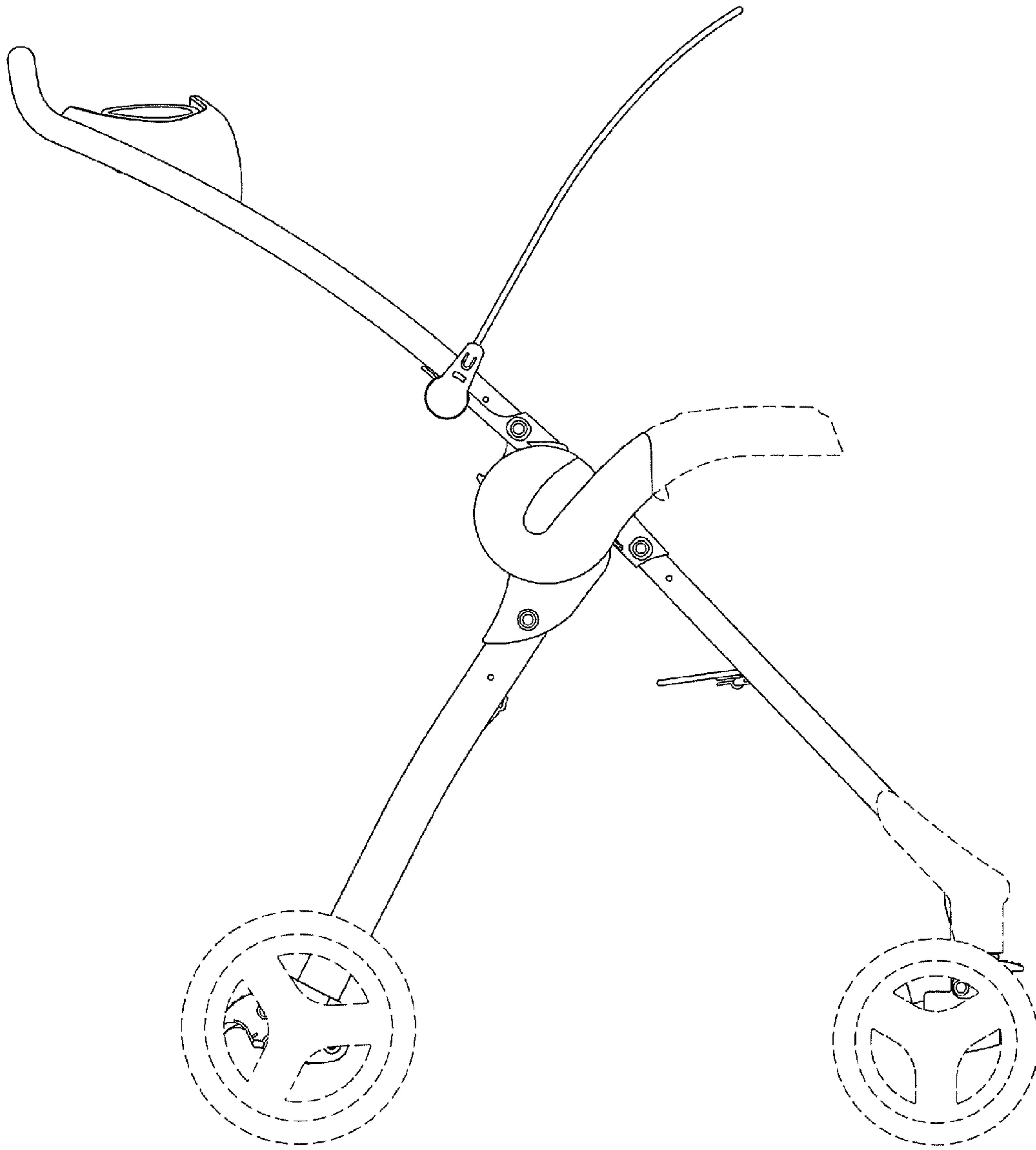


FIG. 6

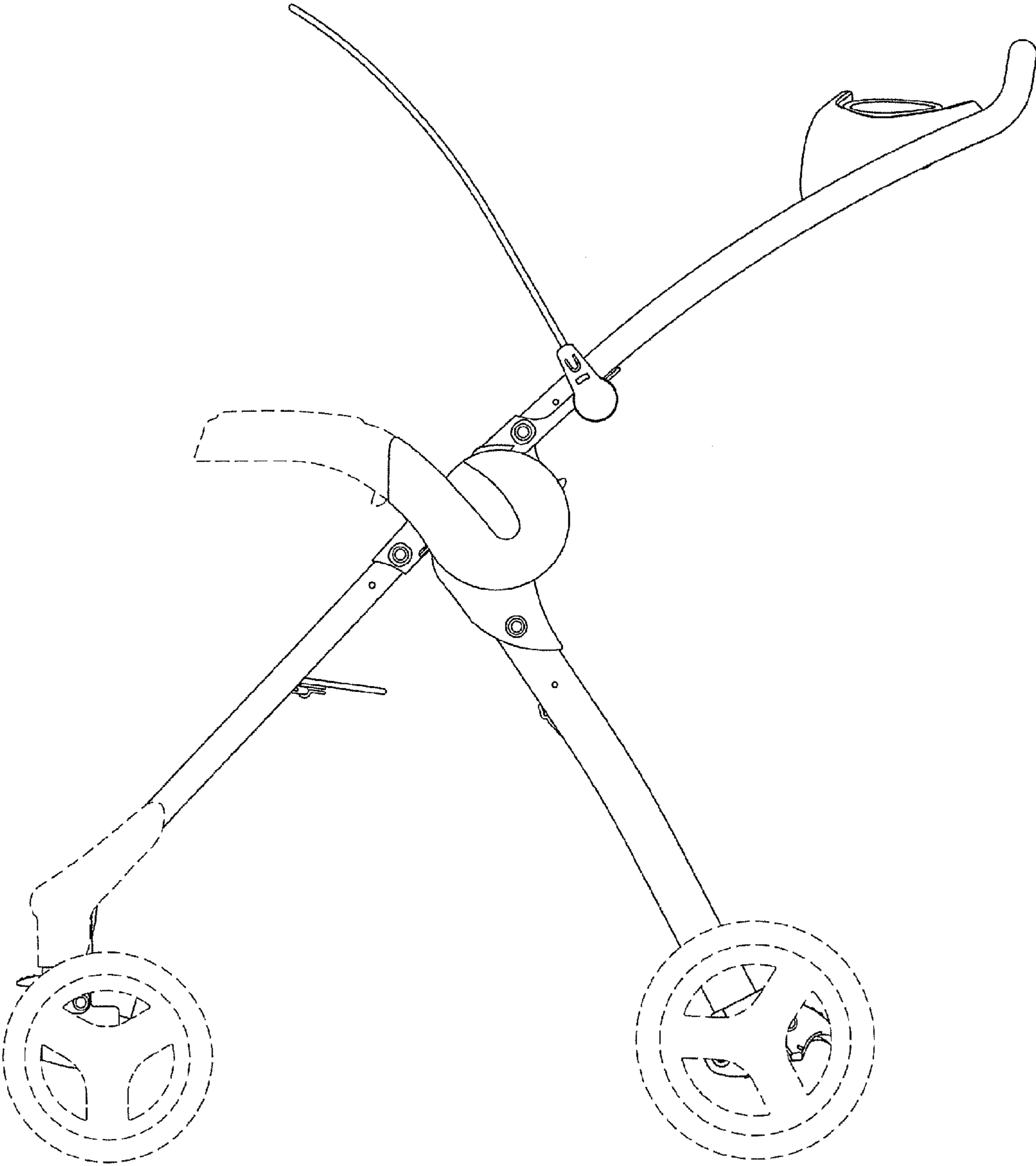


FIG. 7