



US00D672692S

(12) **United States Design Patent**  
**Jane Santamaria**

(10) **Patent No.:** **US D672,692 S**  
(45) **Date of Patent:** **\*\* Dec. 18, 2012**

(54) **CHASSIS FOR INFANT CARRYCOT-CHAIRS**

(56)

**References Cited**

(75) Inventor: **Manuel Jane Santamaria**, Palau de Plegamans (ES)

(73) Assignee: **Jane, S.A.**, Palau de Plegamans, Barcelona (ES)

(\*\*) Term: **14 Years**

(21) Appl. No.: **29/397,058**

(22) Filed: **Jul. 11, 2011**

(30) **Foreign Application Priority Data**

Jan. 12, 2011 (EM) ..... 001803701-0001

(51) **LOC (9) Cl.** ..... **12-12**

(52) **U.S. Cl.** ..... **D12/129**

(58) **Field of Classification Search** ..... D12/128-133;  
280/62, 647-650, 29, 200, 47.38, 250.1,  
280/259, 642, 658, 304.1; 128/99.1, 100.1

See application file for complete search history.

U.S. PATENT DOCUMENTS

D580,828	S	*	11/2008	Chen	.....	D12/129
D585,336	S	*	1/2009	van Buul et al.	.....	D12/129
D621,306	S	*	8/2010	Liao	.....	D12/129
D631,401	S	*	1/2011	Bagwell et al.	.....	D12/129
D631,402	S	*	1/2011	Bagwell et al.	.....	D12/129
D643,786	S	*	8/2011	Barenbrug	.....	D12/129
8,033,555	B2	*	10/2011	Mostert et al.	.....	280/47.38
D651,139	S	*	12/2011	Angelfoss et al.	.....	D12/129

\* cited by examiner

*Primary Examiner* — Ian Simmons

*Assistant Examiner* — Charles Hanson

(74) *Attorney, Agent, or Firm* — Merchant & Gould P.C.

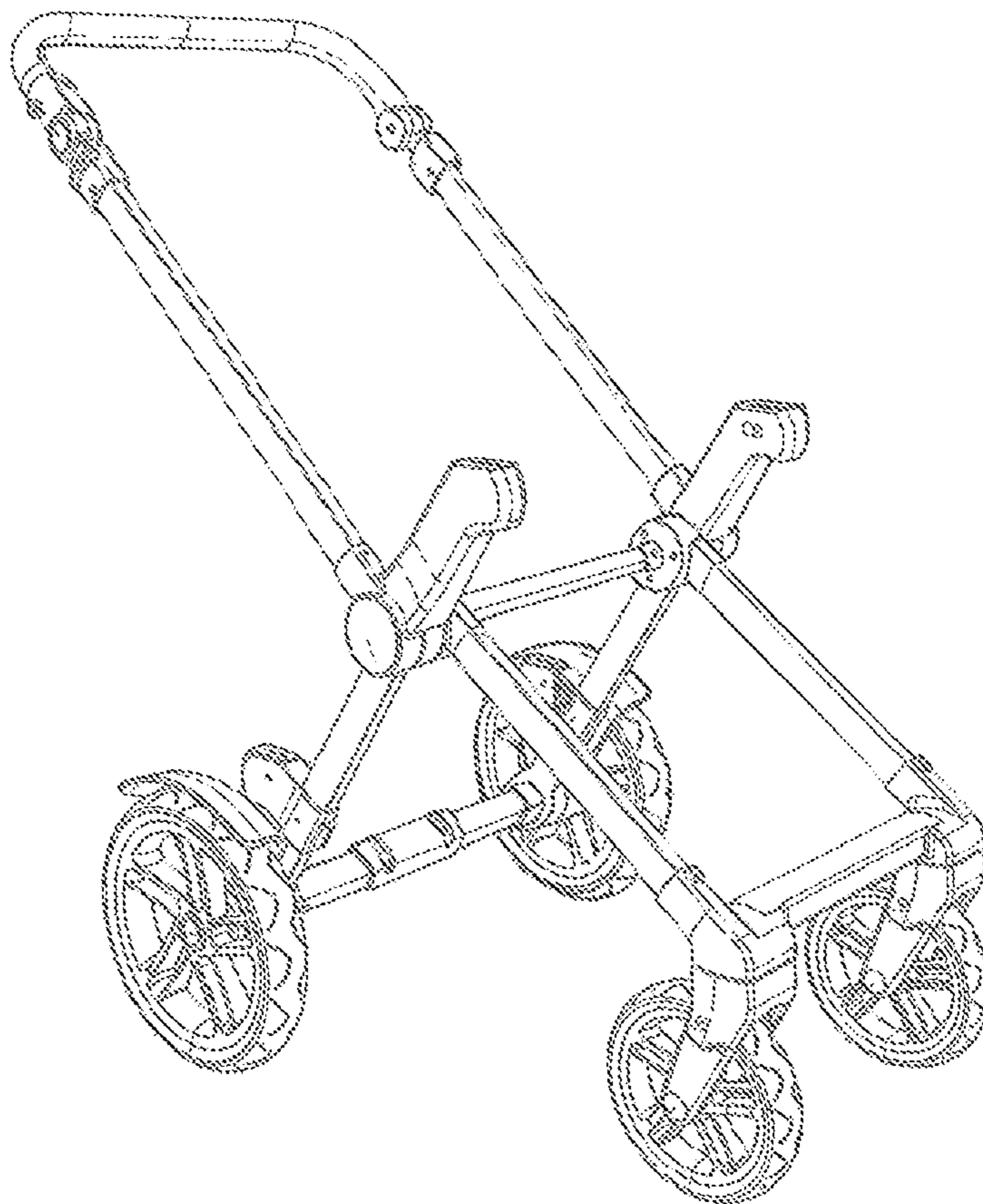
(57) **CLAIM**

The ornamental design for a chassis for infant carrycot-chairs, as shown and described.

**DESCRIPTION**

FIG. 1 is a front left perspective view of a chassis for infant carrycot-chairs showing my new design; FIG. 2 a left side view thereof; and, FIG. 3 is a rear right perspective view thereof.

**1 Claim, 3 Drawing Sheets**



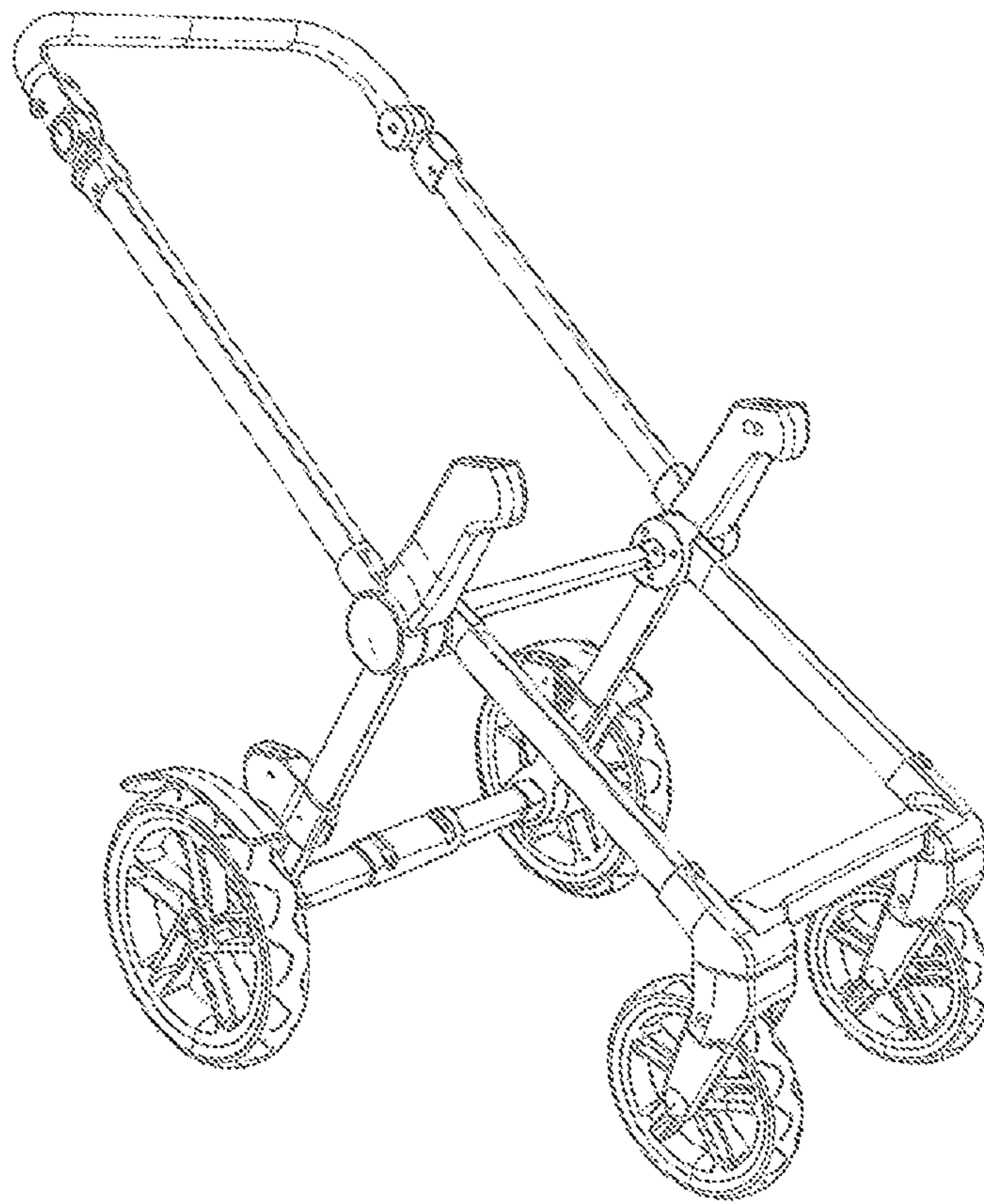


Fig. 1

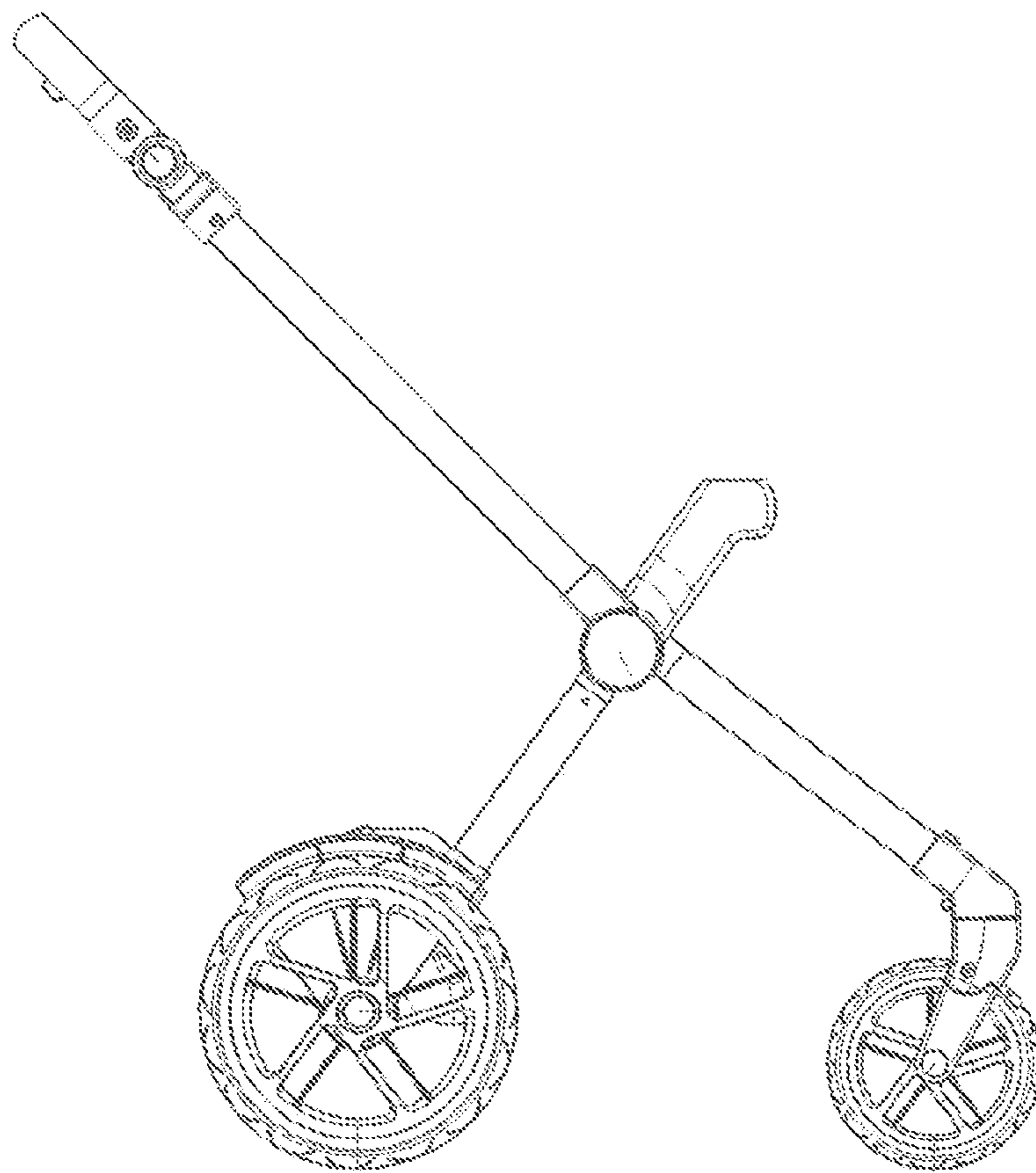


Fig. 2

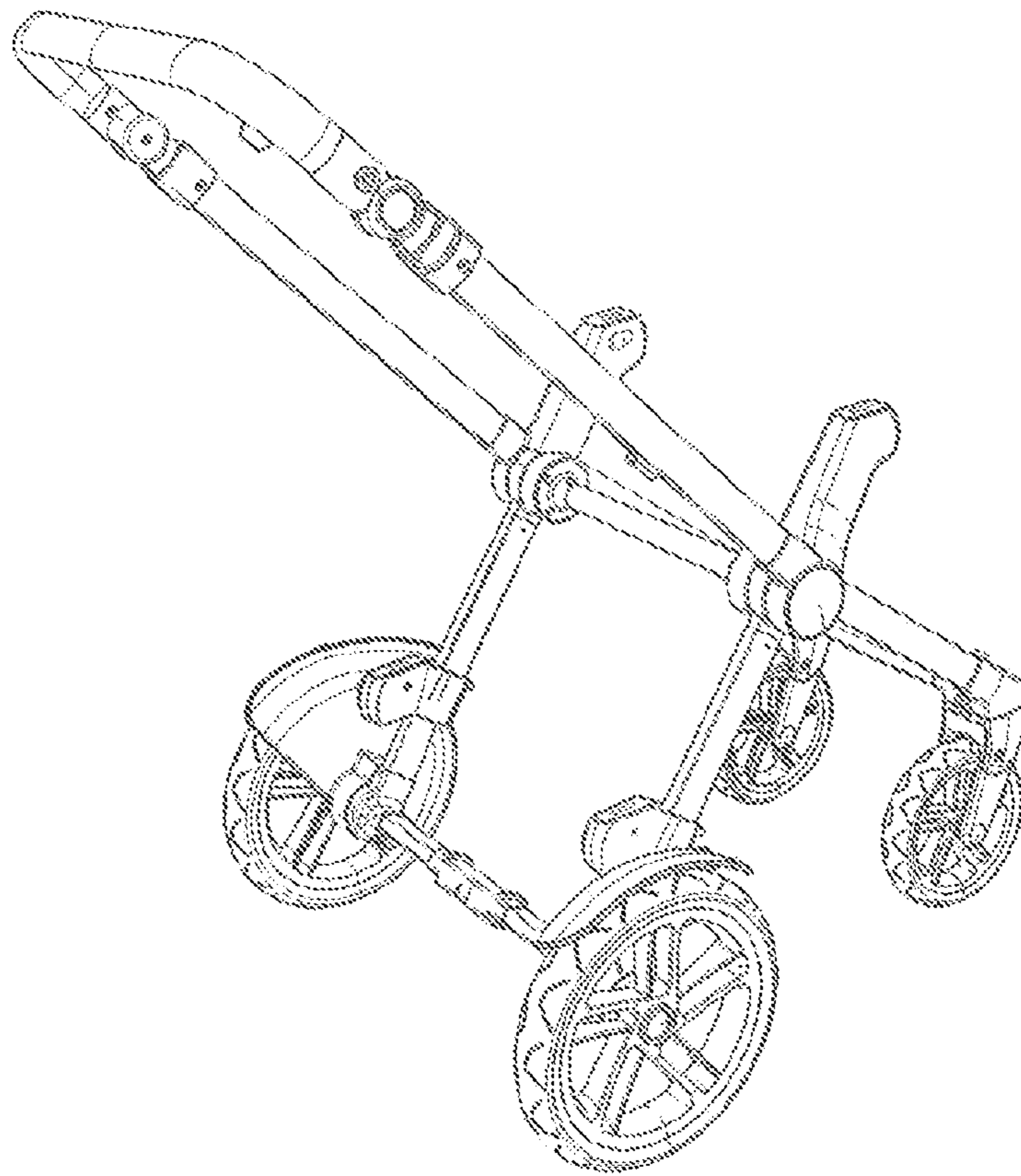


Fig. 3