



US00D672691S

(12) **United States Design Patent**
Seay

(10) **Patent No.:** **US D672,691 S**

(45) **Date of Patent:** **** Dec. 18, 2012**

(54) **HEART SHAPED PEDAL**
(75) Inventor: **Timothy A. Seay**, Springboro, OH (US)
(73) Assignee: **Huffy Corporation**, Centerville, OH (US)

D341,108 S * 11/1993 Chen D12/125
D432,463 S * 10/2000 Hanamura D12/125
D461,619 S * 8/2002 Garson et al. D1/112
D599,244 S * 9/2009 Momjian D11/81
D629,345 S * 12/2010 Schmid D12/194
D646,155 S * 10/2011 Mayer D8/402

* cited by examiner

(**) Term: **14 Years**

Primary Examiner — Susan M Lee

(21) Appl. No.: **29/411,951**

Assistant Examiner — Linda G. Brooks

(22) Filed: **Jan. 27, 2012**

(74) *Attorney, Agent, or Firm* — Wood, Herron & Evans, LLP

(51) **LOC (9) Cl.** **12-11**

(52) **U.S. Cl.** **D12/125**

(58) **Field of Classification Search** D12/114,
D12/122, 125, 108, 110–113, 121, 199; 280/288.4,
280/291, 169, 827, 828; 74/478, 478.5, 560–562,
74/562.5, 594.4–594.7; D21/493, 694; 180/230,
180/90.6, 219, 220; 296/75; 446/440, 465,
446/470; D1/112; D25/149

See application file for complete search history.

(57) **CLAIM**

The ornamental design for a heart shaped pedal, as shown and described.

DESCRIPTION

FIG. 1 is a front perspective view of my new, original and ornamental design;
FIG. 2 is a front view thereof;
FIG. 3 is a right side view thereof;
FIG. 4 is a rear view thereof;
FIG. 5 is a left side view thereof;
FIG. 6 is a top view thereof; and,
FIG. 7 is a bottom view thereof.

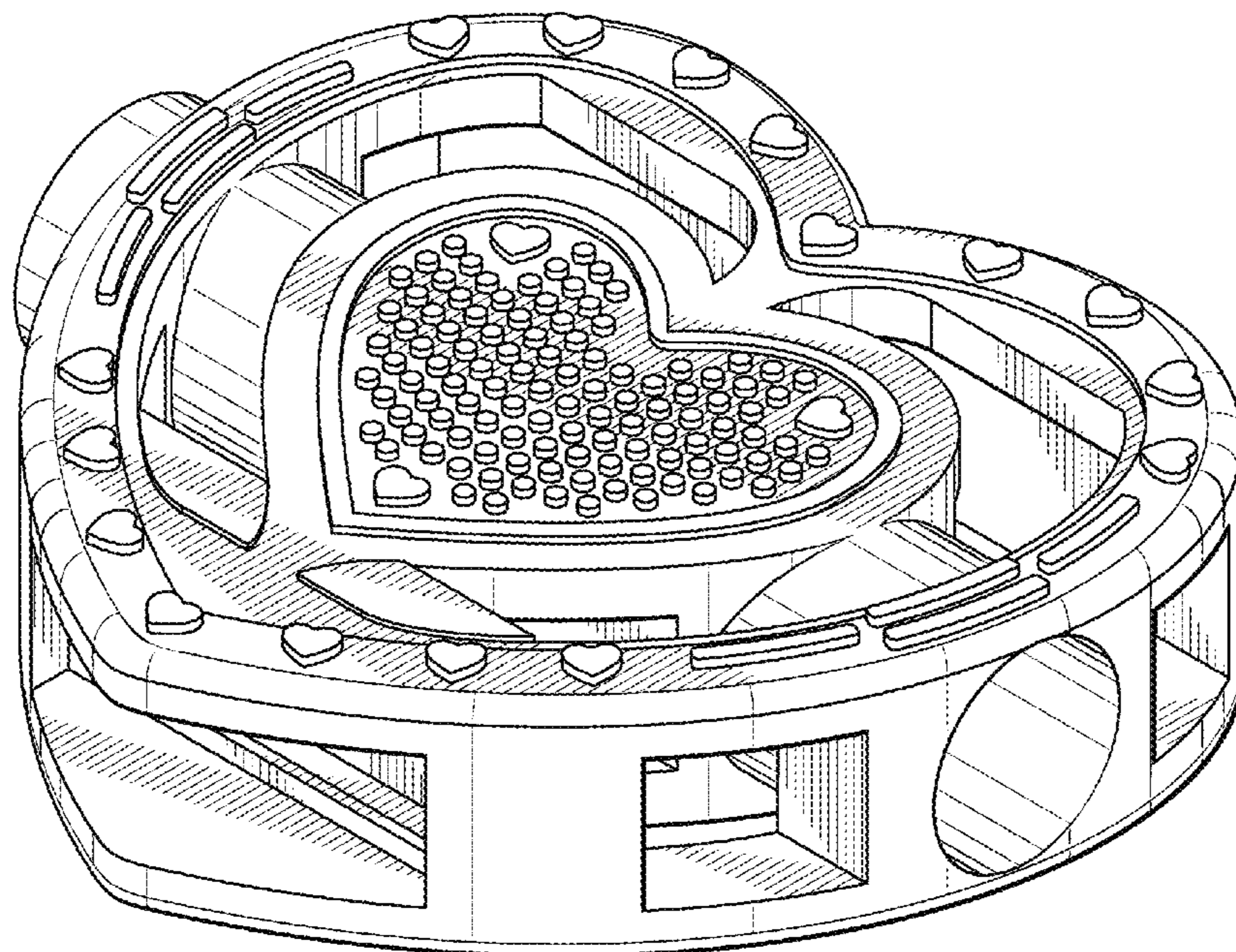
The unshown portion of the heart shaped pedal forms no part of the claimed design.

(56) **References Cited**

U.S. PATENT DOCUMENTS

D42,170 S * 2/1912 Francis D12/125
D121,499 S * 7/1940 St. Onge D12/125
D157,012 S * 1/1950 Towler D7/675
D214,118 S * 5/1969 Hussey D12/125
D286,995 S * 12/1986 Pai D12/125

1 Claim, 3 Drawing Sheets



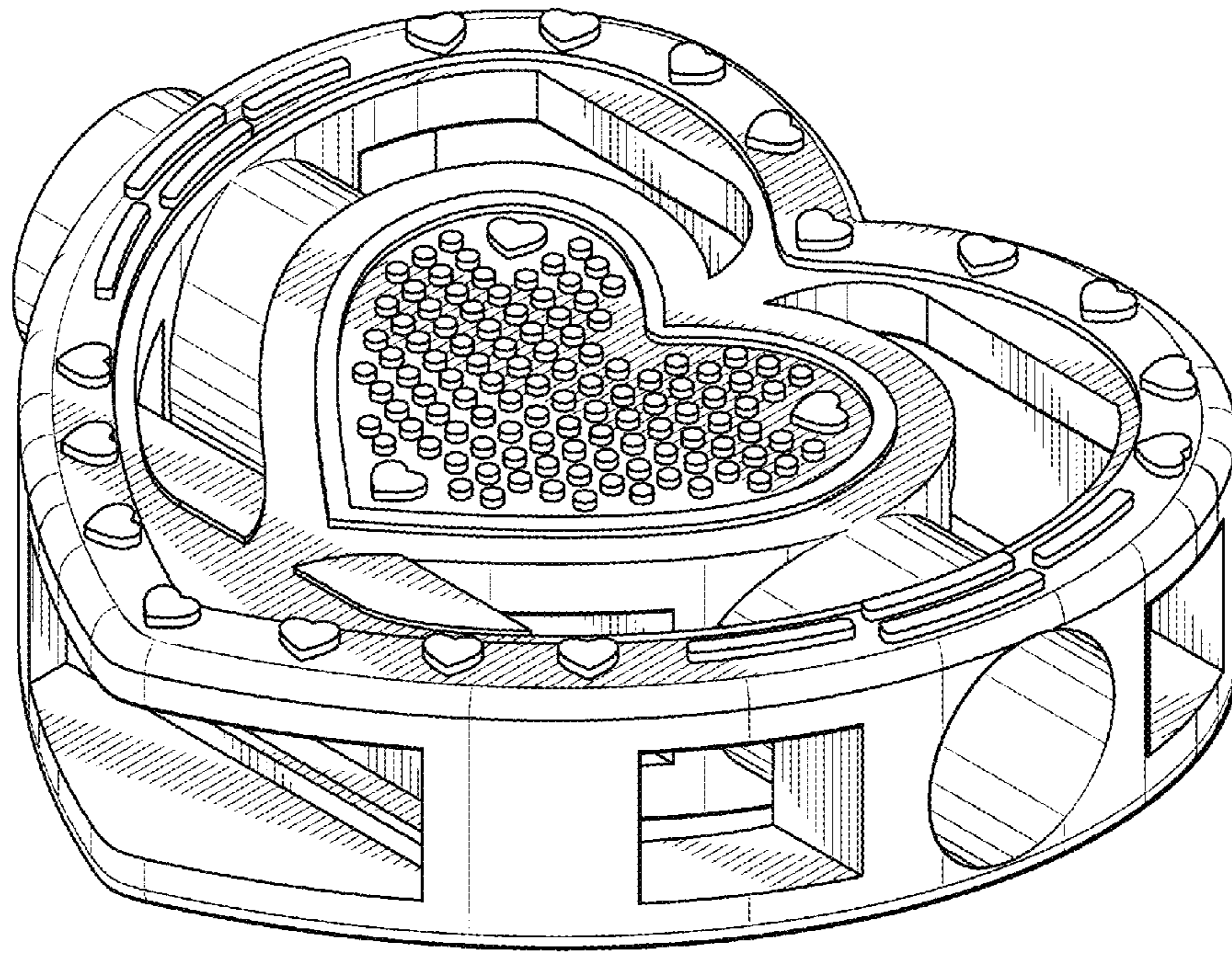


FIG. 1

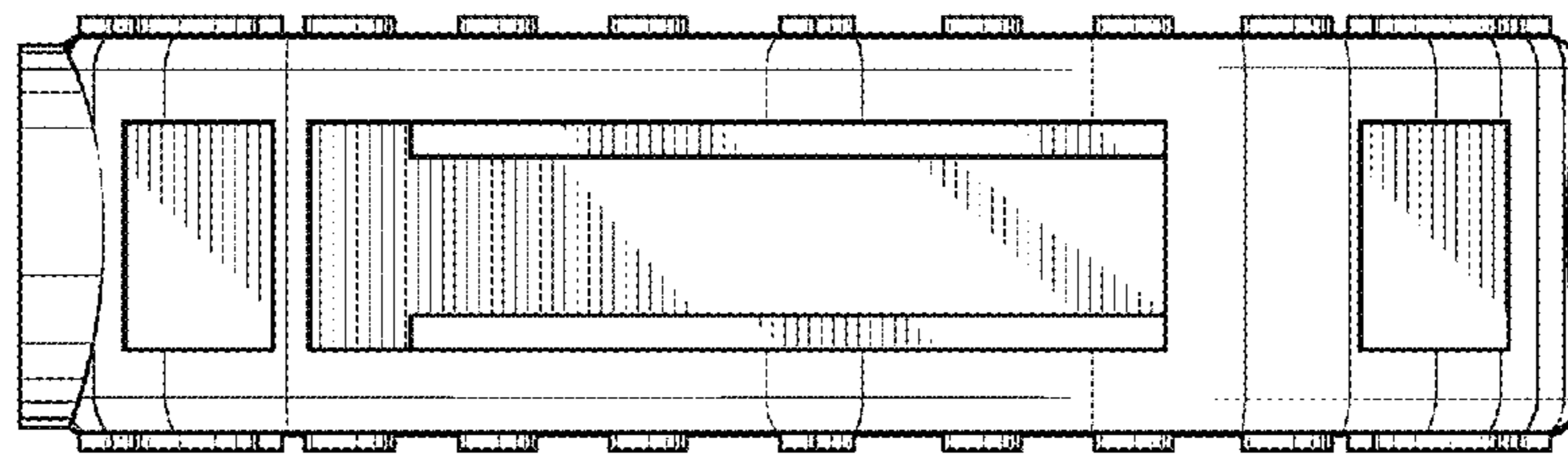


FIG. 2

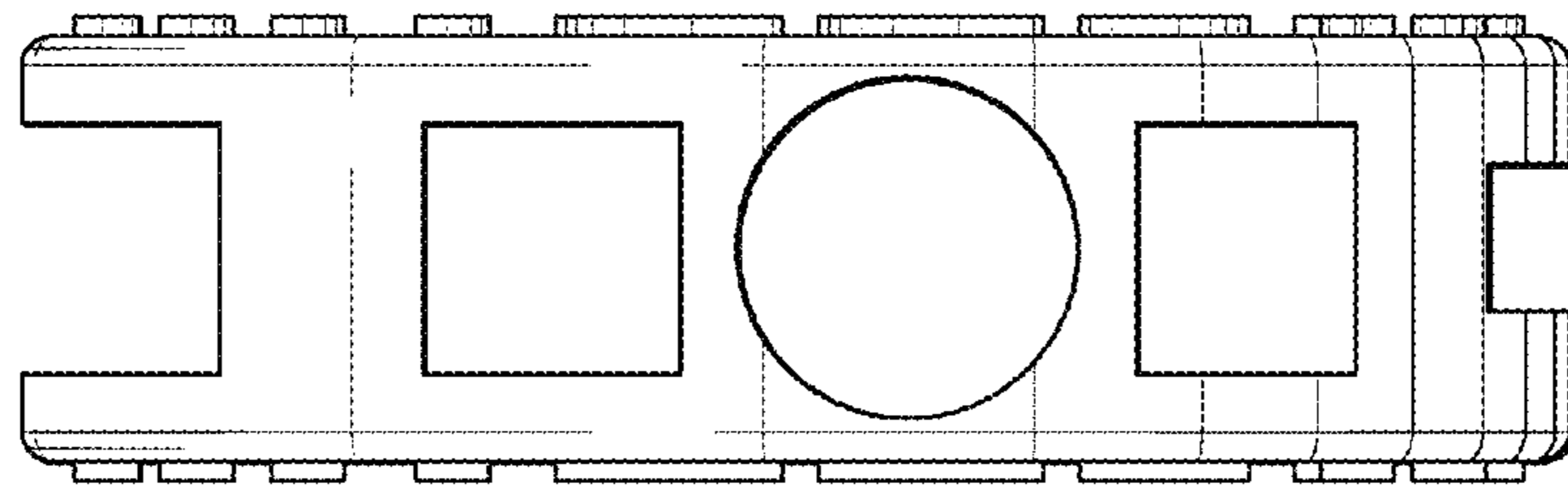


FIG. 3

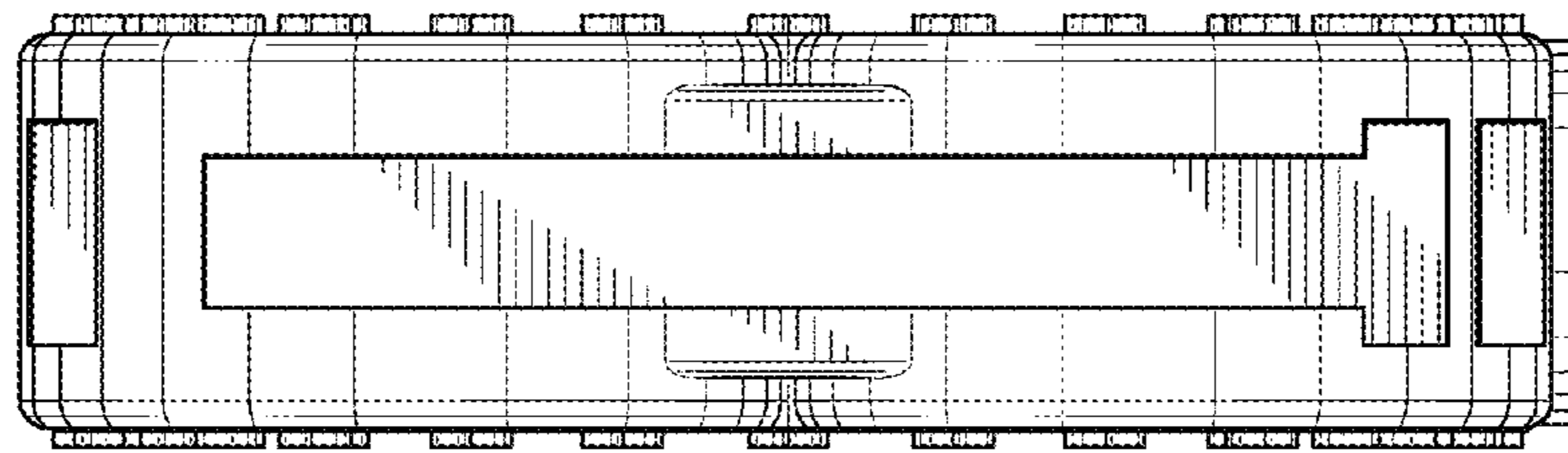


FIG. 4

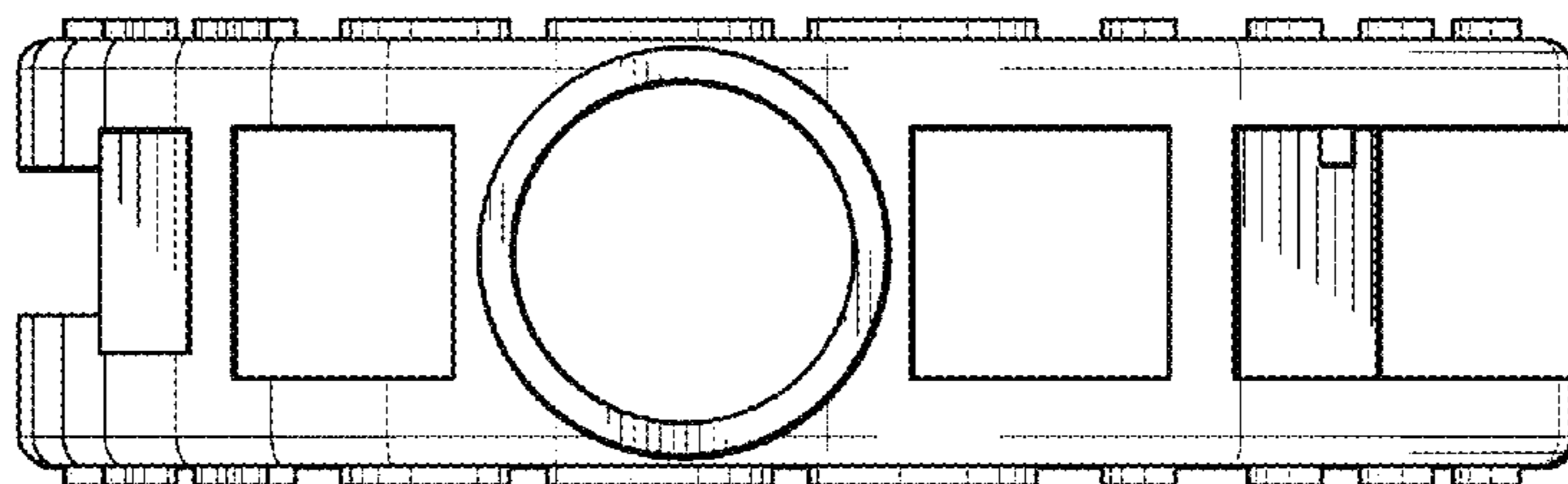


FIG. 5

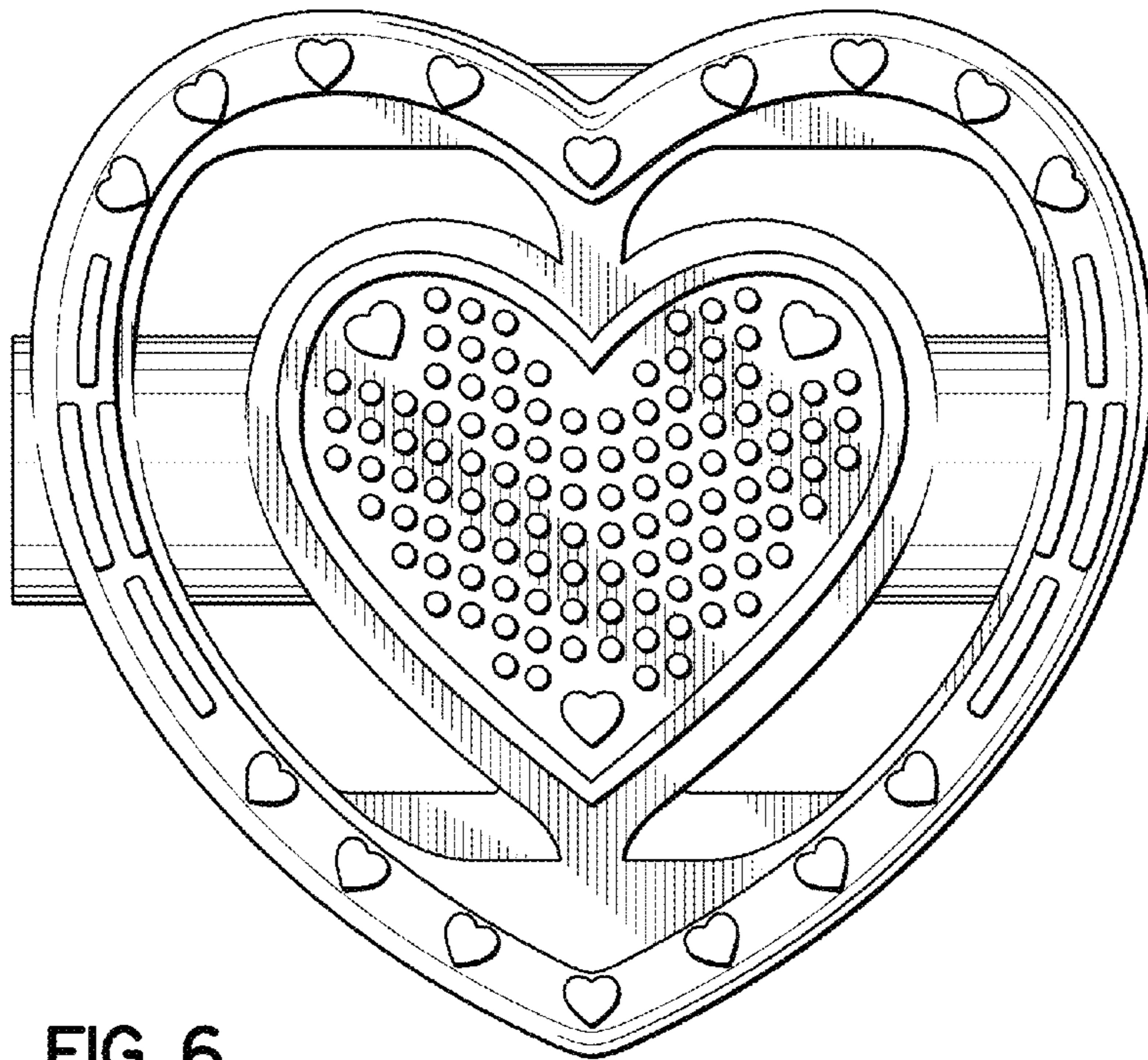


FIG. 6

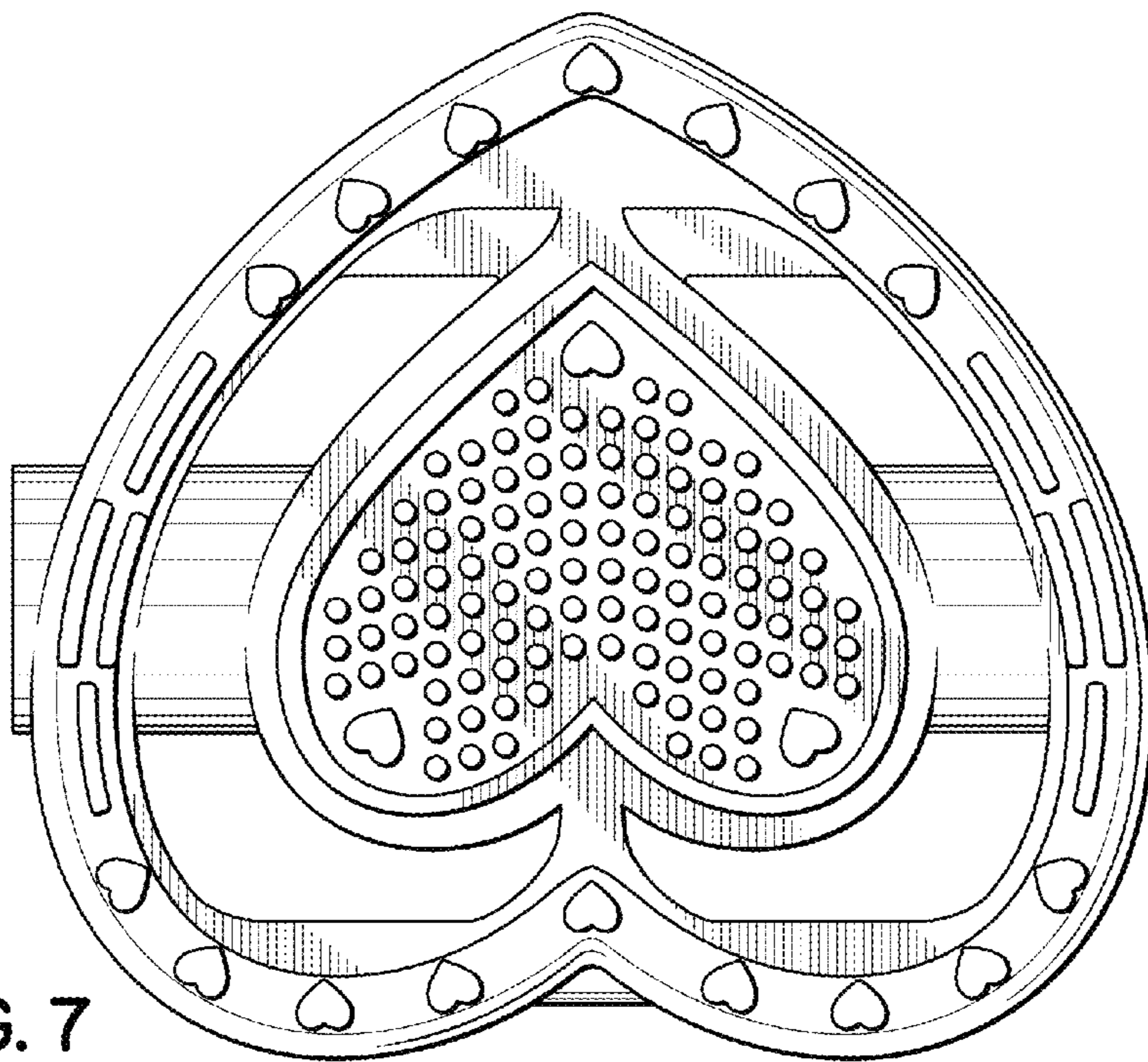


FIG. 7