



US00D672686S

(12) **United States Design Patent**
Masani et al.

(10) **Patent No.:** **US D672,686 S**
(45) **Date of Patent:** **** Dec. 18, 2012**

(54) **CHAIN FOR A SLIDE FASTENER**

(75) Inventors: **Eriko Masani**, Toyama (JP); **Yasuhiko Sugimoto**, Toyama (JP)

(73) Assignee: **YKK Corporation** (JP)

(**) Term: **14 Years**

(21) Appl. No.: **29/412,711**

(22) Filed: **Feb. 7, 2012**

(30) **Foreign Application Priority Data**

Dec. 21, 2011 (CN) 2011 3 0494282

(51) **LOC (9) Cl.** **02-07**

(52) **U.S. Cl.** **D11/221**

(58) **Field of Classification Search** D11/200,
D11/201, 221; 24/381-383, 385-387, 414-417,
24/421-422, 427-431, 433, 403, 410; 2/265
See application file for complete search history.

(56) **References Cited**

U.S. PATENT DOCUMENTS

2,526,600 A 10/1950 Bolton
2,660,774 A * 12/1953 Heimann et al. 24/412
2,862,272 A 12/1958 Morin
D252,896 S * 9/1979 Jovin D11/221

FOREIGN PATENT DOCUMENTS

WO 2010/082291 A1 7/2010
WO 2011/023956 A2 3/2011

* cited by examiner

Primary Examiner — Ralf Seifert

(74) *Attorney, Agent, or Firm* — Kilpatrick Townsend & Stockton LLP

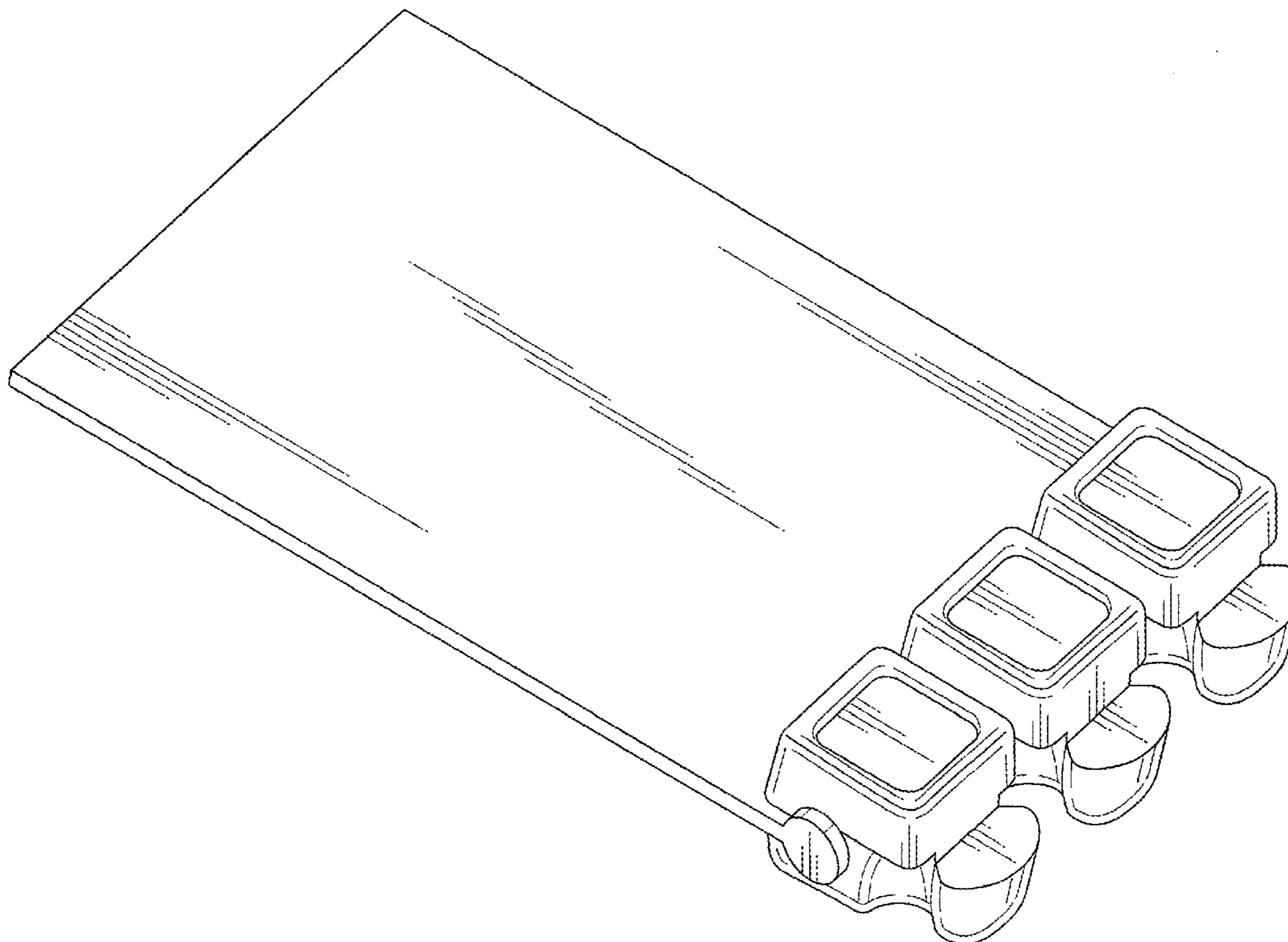
(57) **CLAIM**

The ornamental design for a chain for a slide fastener, as shown and described.

DESCRIPTION

FIG. 1 is a perspective view of the top, front and right side of a chain for a slide fastener showing my (our) new design; FIG. 2 is a front view thereof; FIG. 3 is a rear view thereof; FIG. 4 is a left side view thereof; FIG. 5 is a right side view thereof; FIG. 6 is a top plan view thereof; and, FIG. 7 is a bottom view thereof.

1 Claim, 5 Drawing Sheets



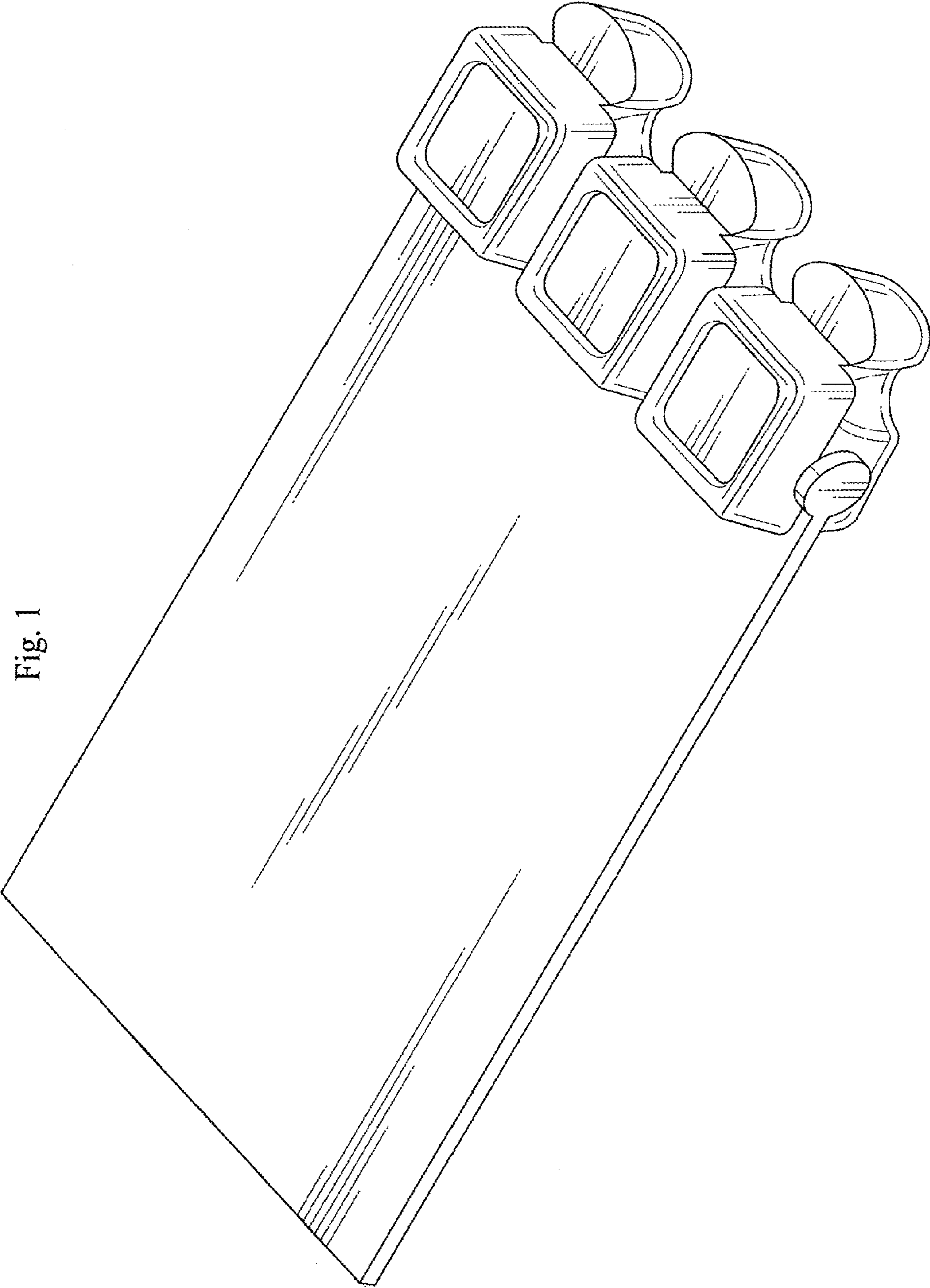


Fig. 1

Fig. 2

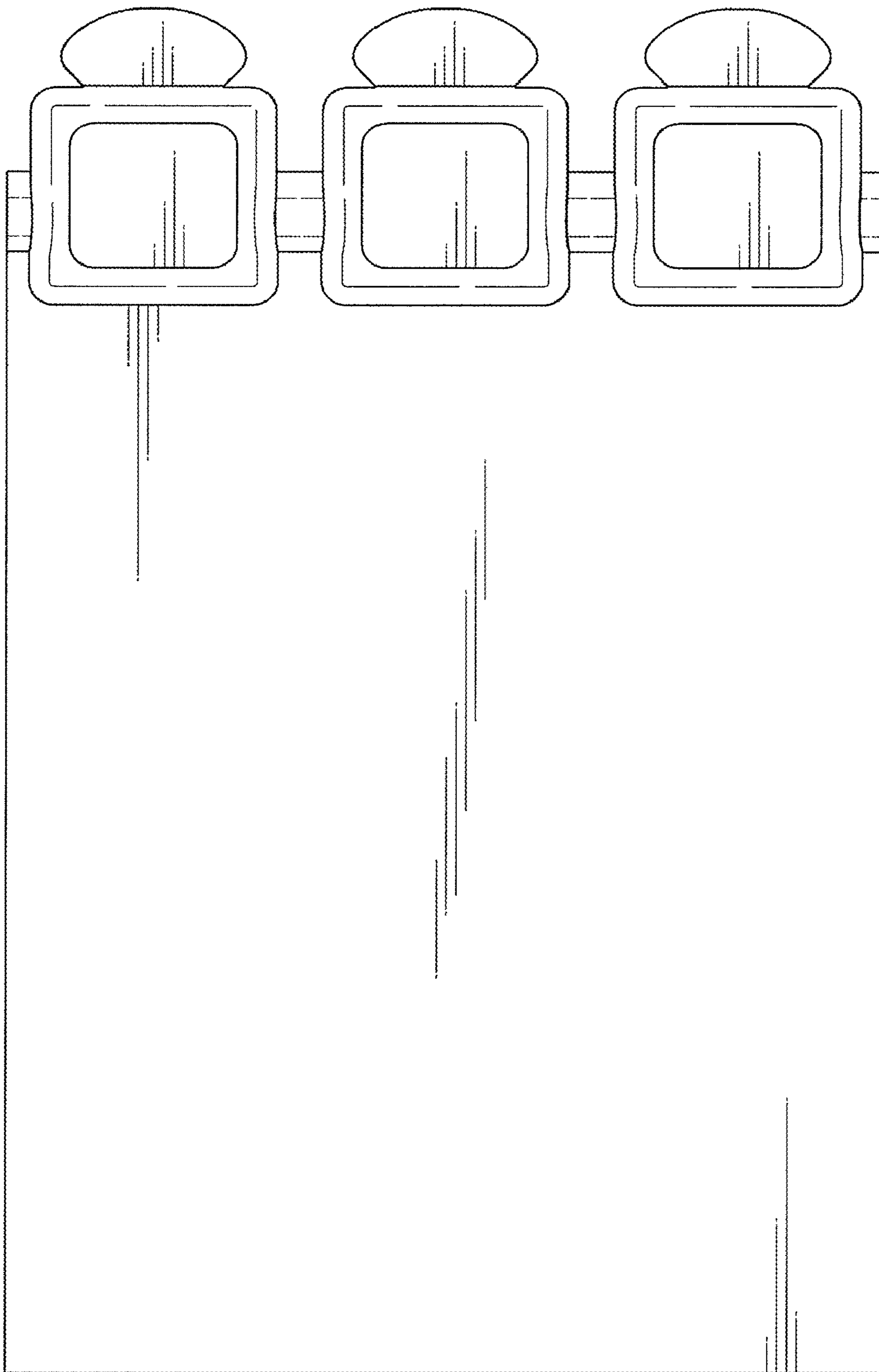


Fig. 3

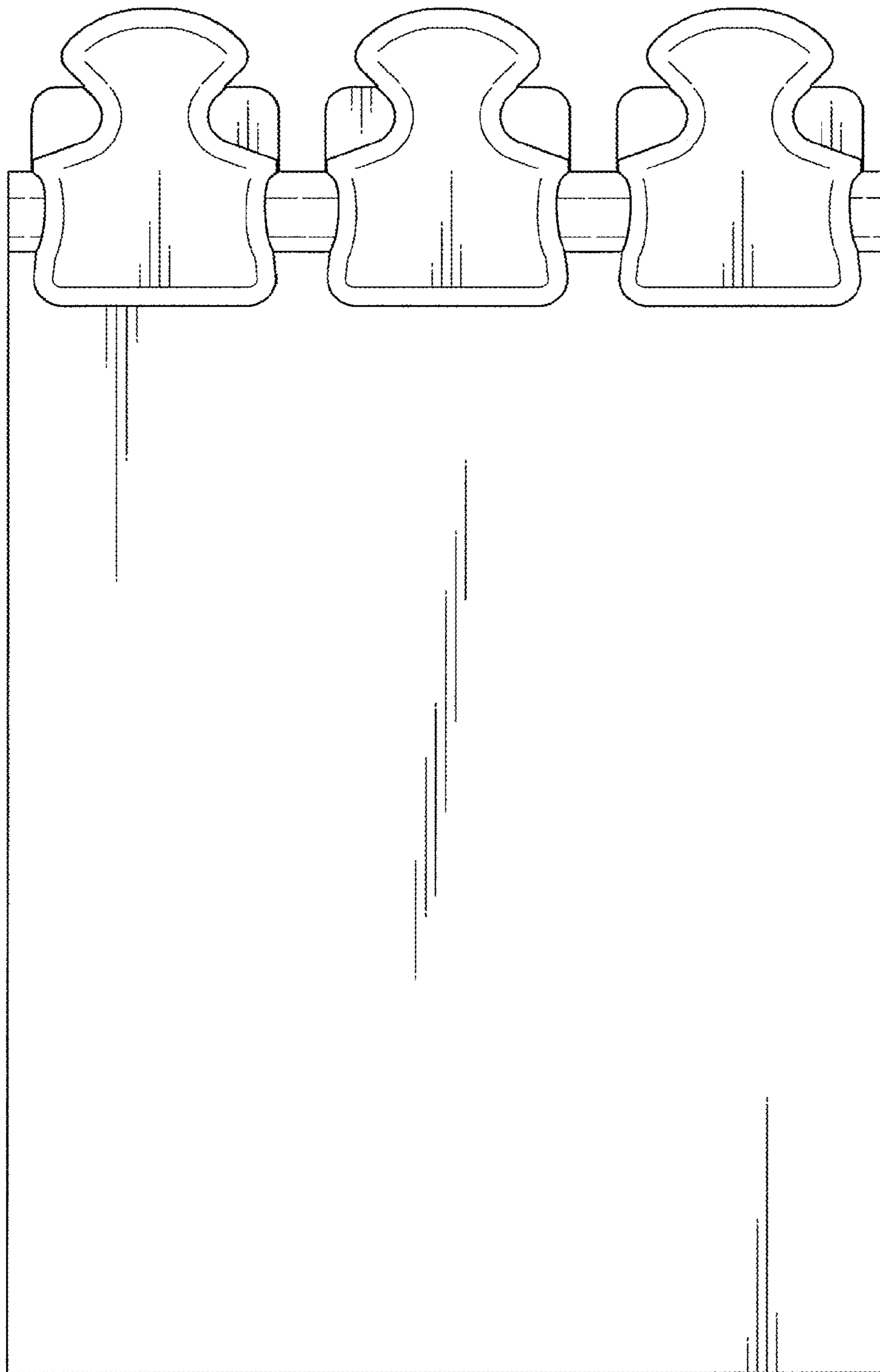


Fig. 4

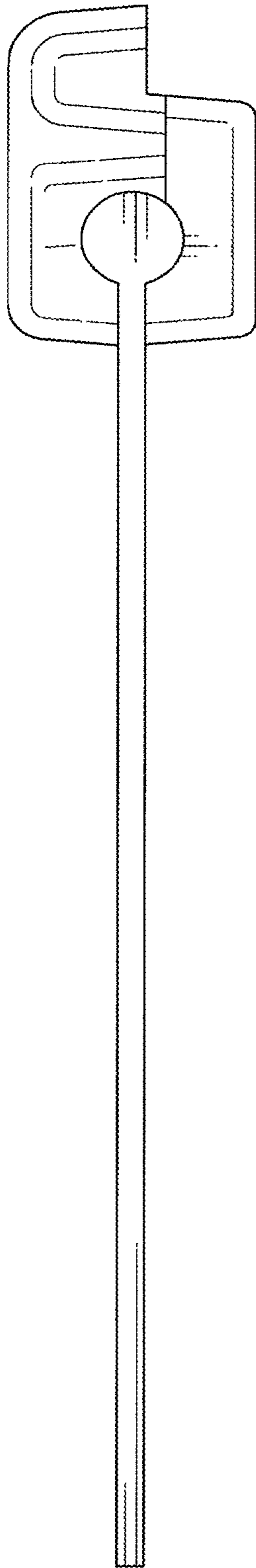


Fig. 5

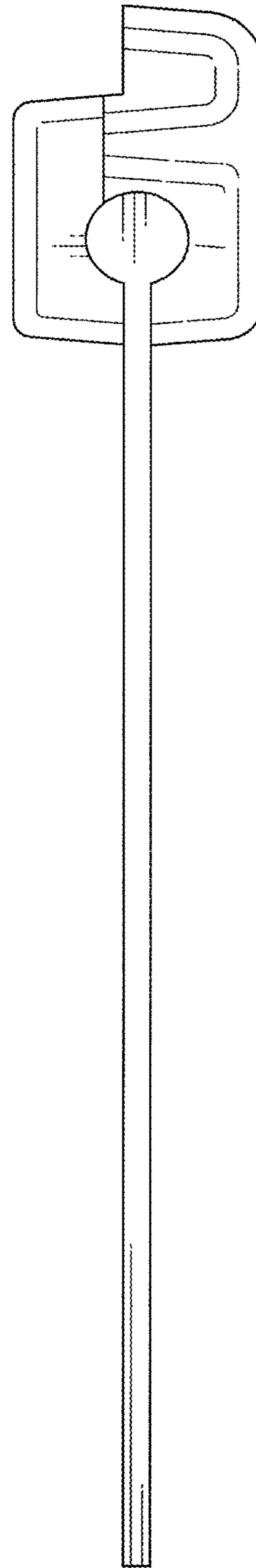


Fig. 6

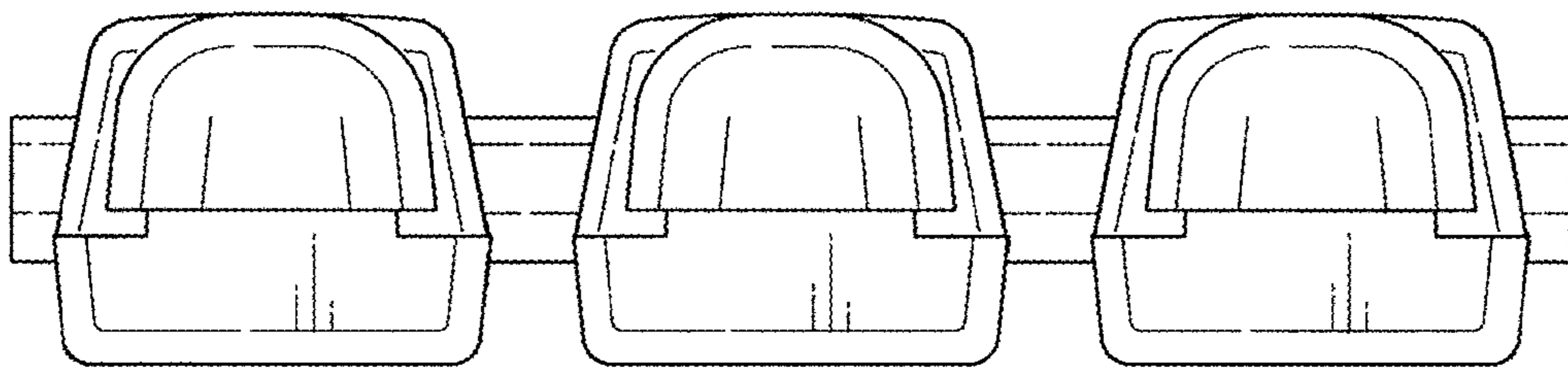


Fig. 7

