



US00D672685S

(12) **United States Design Patent**  
**Sato**

(10) **Patent No.:** **US D672,685 S**

(45) **Date of Patent:** **\*\* Dec. 18, 2012**

(54) **SLIDER FOR SLIDE FASTENER**

(75) Inventor: **Hideki Sato**, Toyama-ken (JP)

(73) Assignee: **YKK Corporation** (JP)

(\*\*) Term: **14 Years**

(21) Appl. No.: **29/406,261**

(22) Filed: **Nov. 11, 2011**

(30) **Foreign Application Priority Data**

May 13, 2011 (JP) ..... 2011-010769

(51) **LOC (9) Cl.** ..... **02-07**

(52) **U.S. Cl.** ..... **D11/221**

(58) **Field of Classification Search** ..... D11/200,  
D11/201, 221; 24/381-383, 385-387, 414-417,  
24/421-422, 427-431, 433; 2/265  
See application file for complete search history.

(56) **References Cited**

**U.S. PATENT DOCUMENTS**

D393,431 S \* 4/1998 Kawamura ..... D11/221  
D446,165 S \* 8/2001 Yoneoka ..... D11/221

\* cited by examiner

*Primary Examiner* — Ralf Seifert

(74) *Attorney, Agent, or Firm* — Kilpatrick Townsend & Stockton LLP

(57) **CLAIM**

The ornamental design for a slider for slide fastener, as shown and described.

**DESCRIPTION**

FIG. 1 is a perspective view of the bottom, front and left side of a slider for slide fastener showing my (our) new design; FIG. 2 is a front view thereof; FIG. 3 is a rear view thereof; FIG. 4 is a left side view thereof; FIG. 5 is a right view thereof; FIG. 6 is a top plan view thereof; FIG. 7 is a bottom view thereof; and, FIG. 8 is a reference view of usage.

The portions of the article in broken lines are shown for illustrative purposes only and form no part of the claimed design.

**1 Claim, 7 Drawing Sheets**

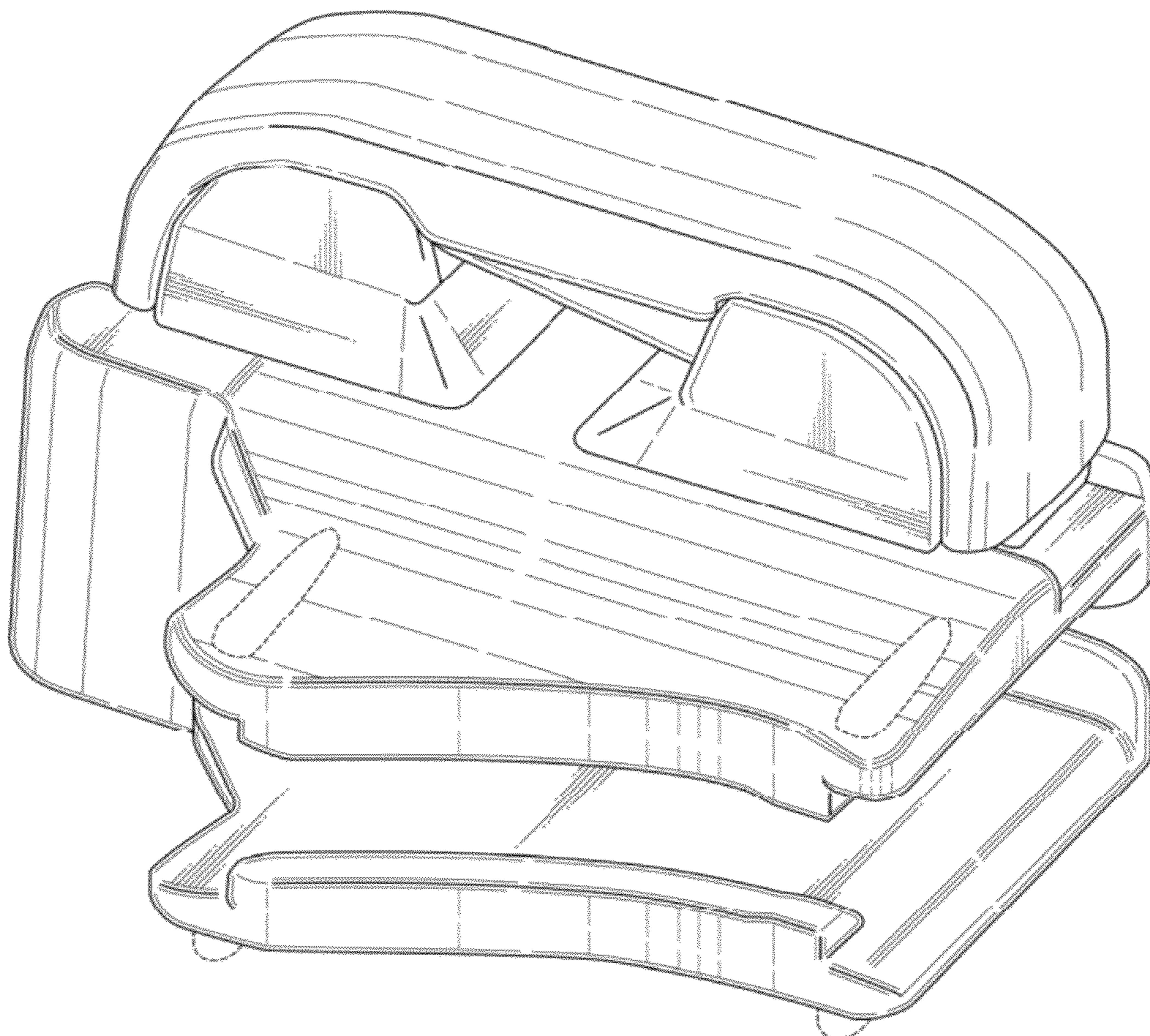


Fig. 1

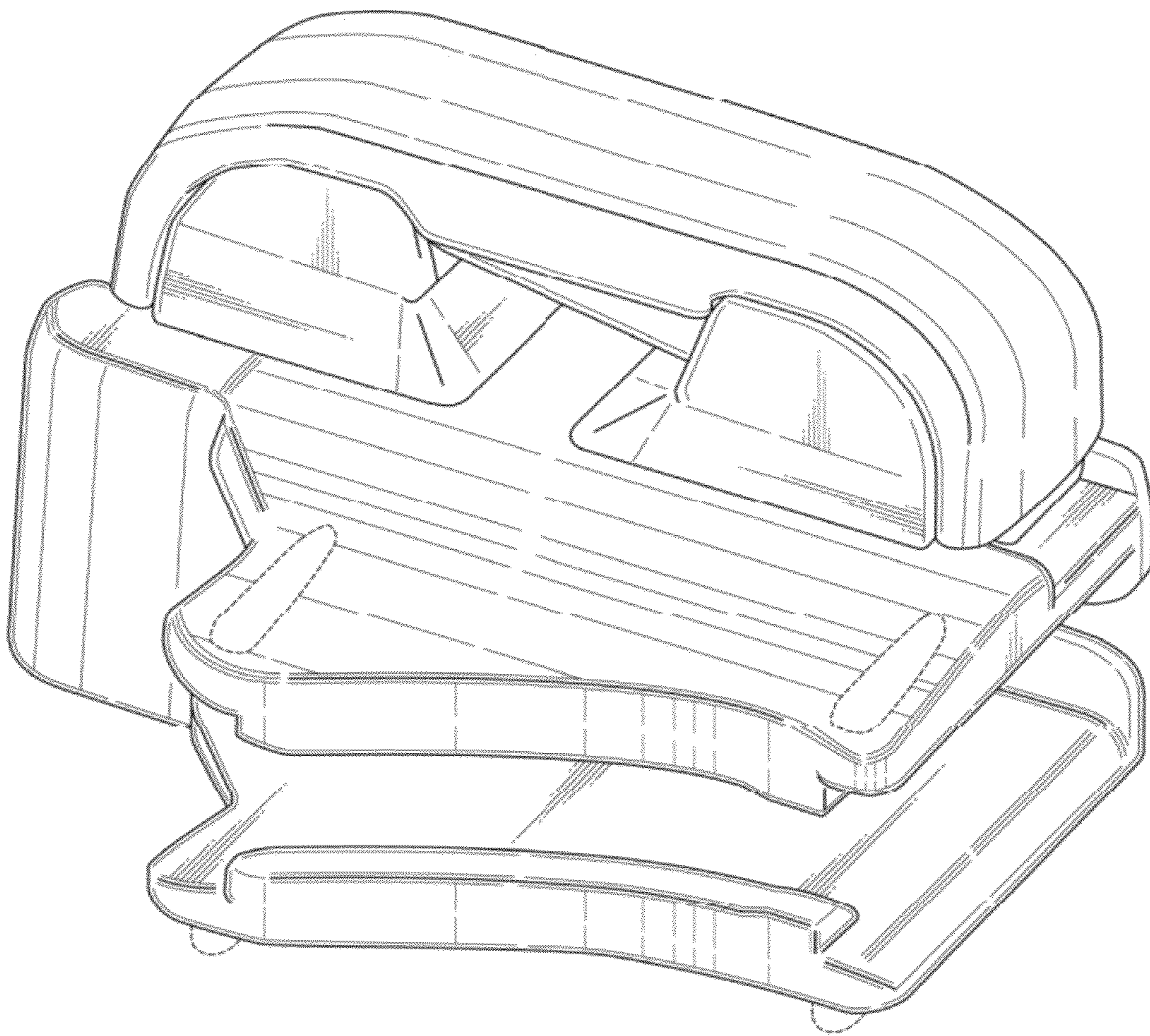


Fig. 2

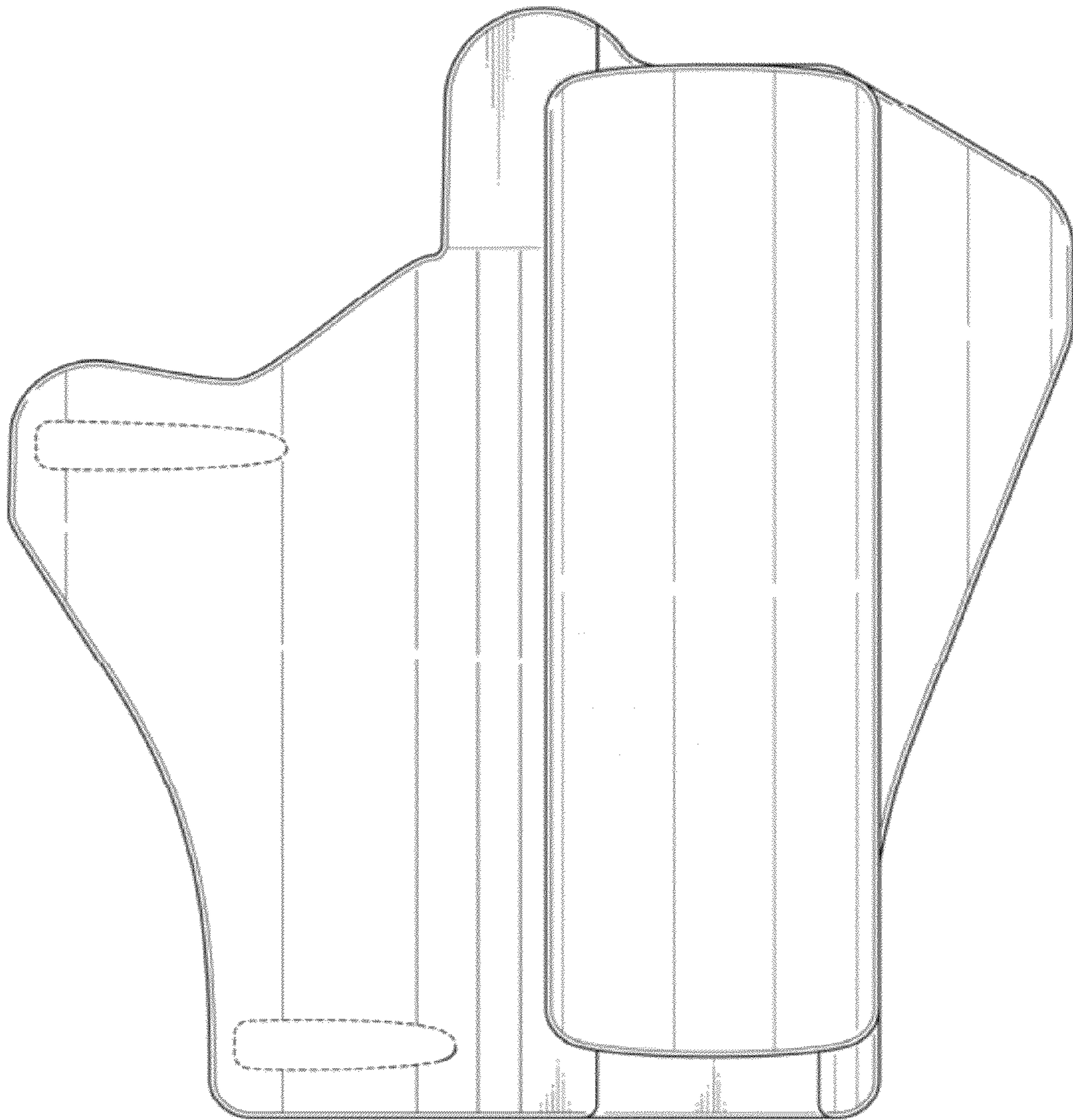


Fig. 3

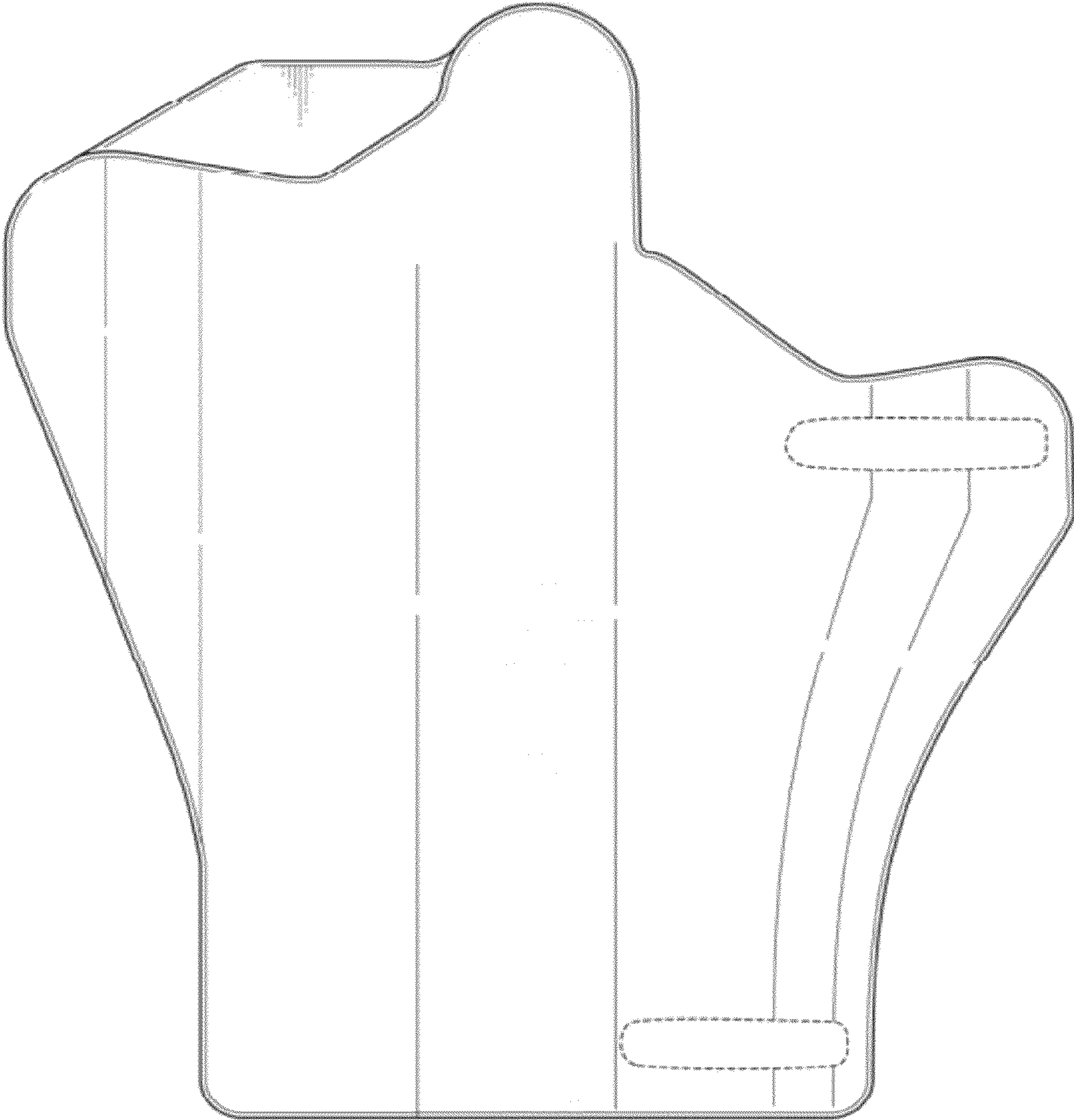


Fig. 4

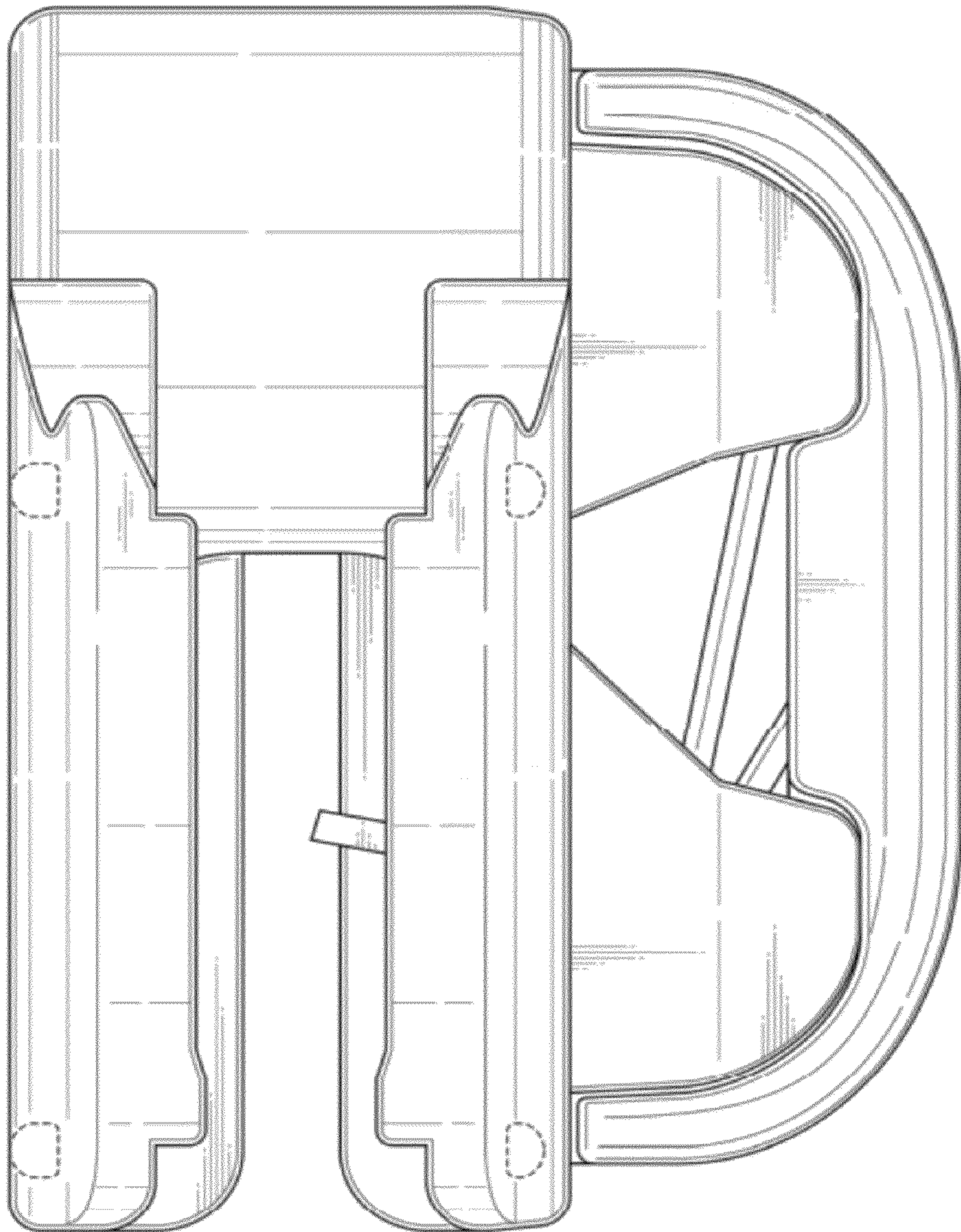


Fig. 5

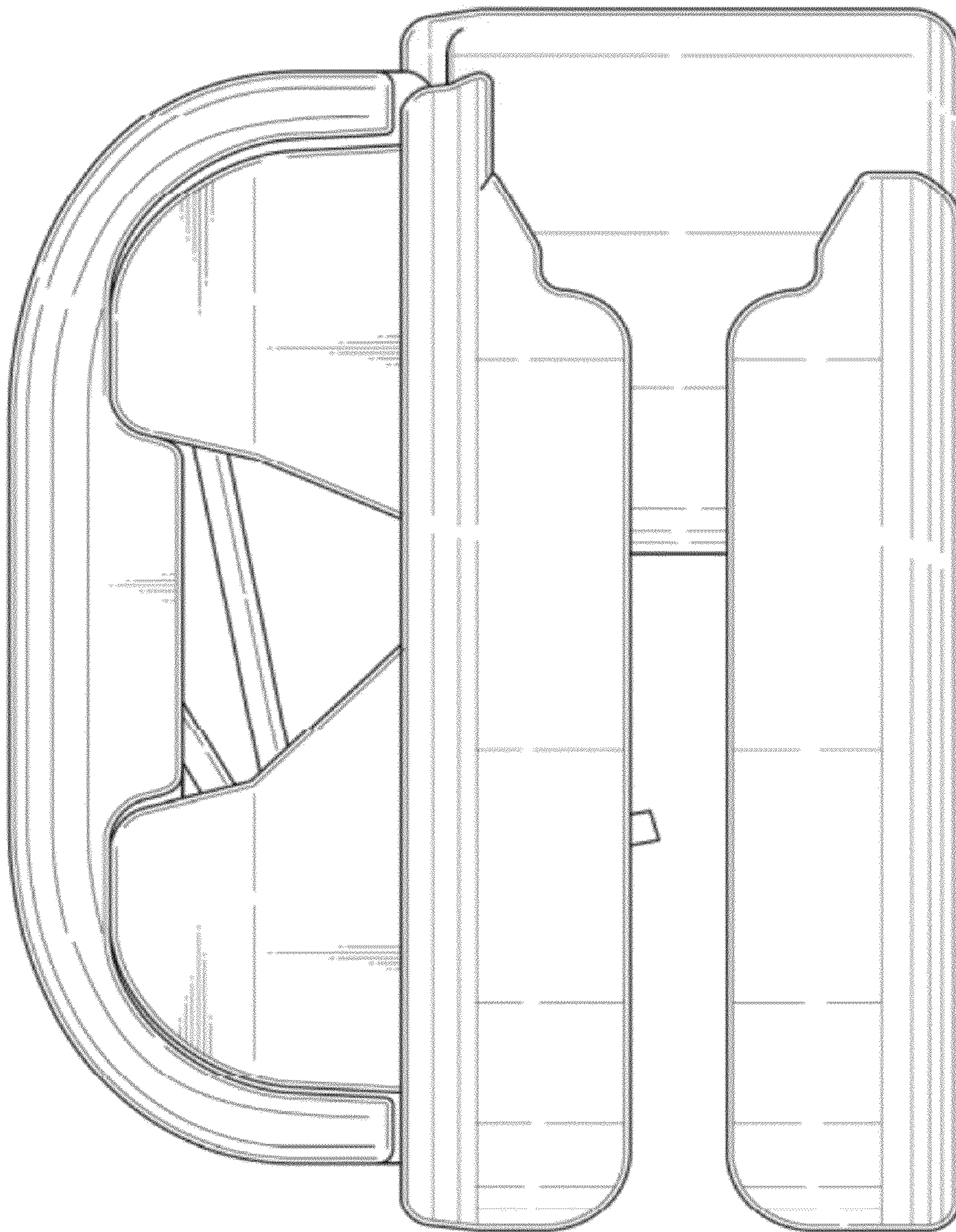


Fig. 6

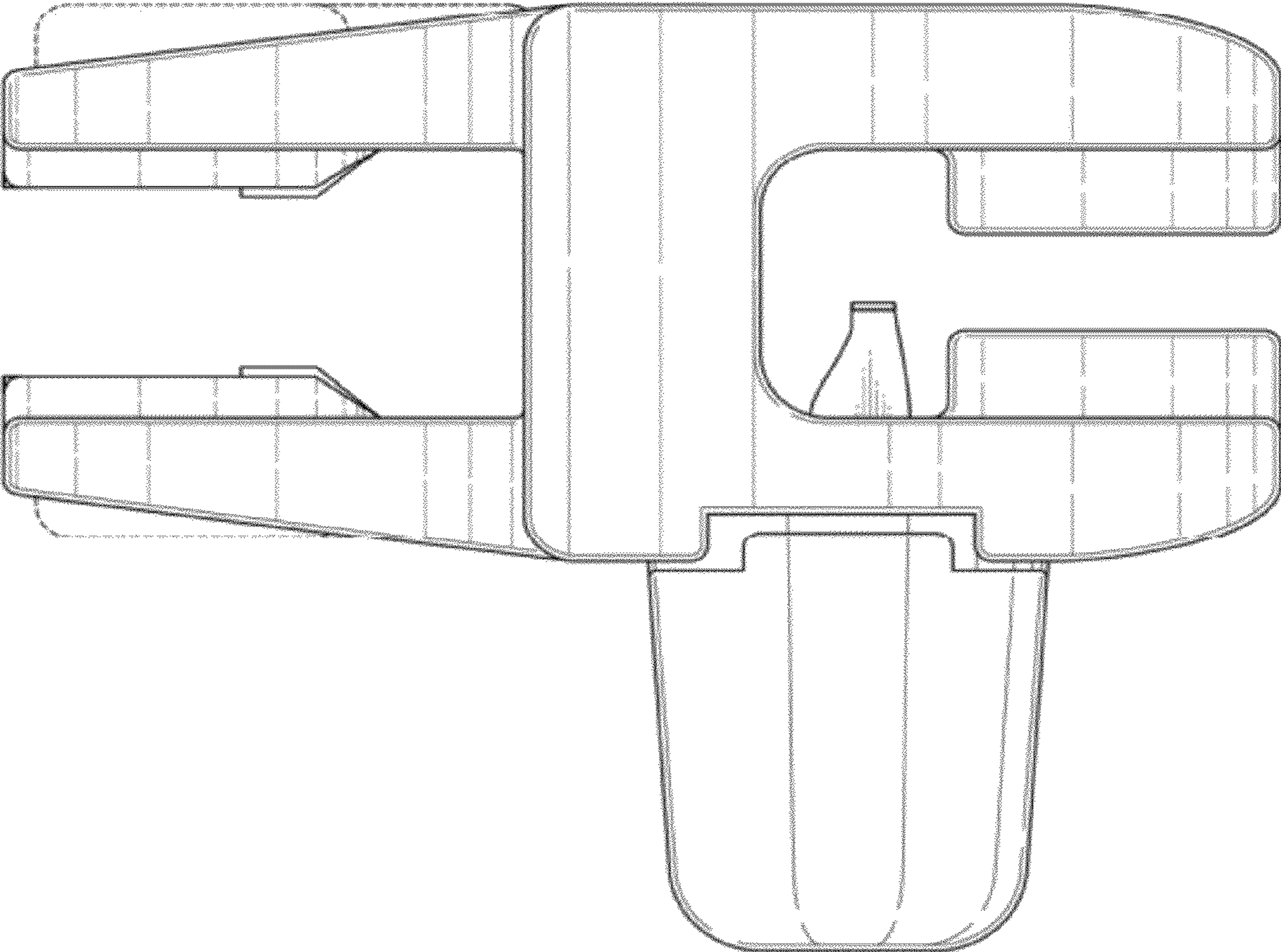


Fig. 7

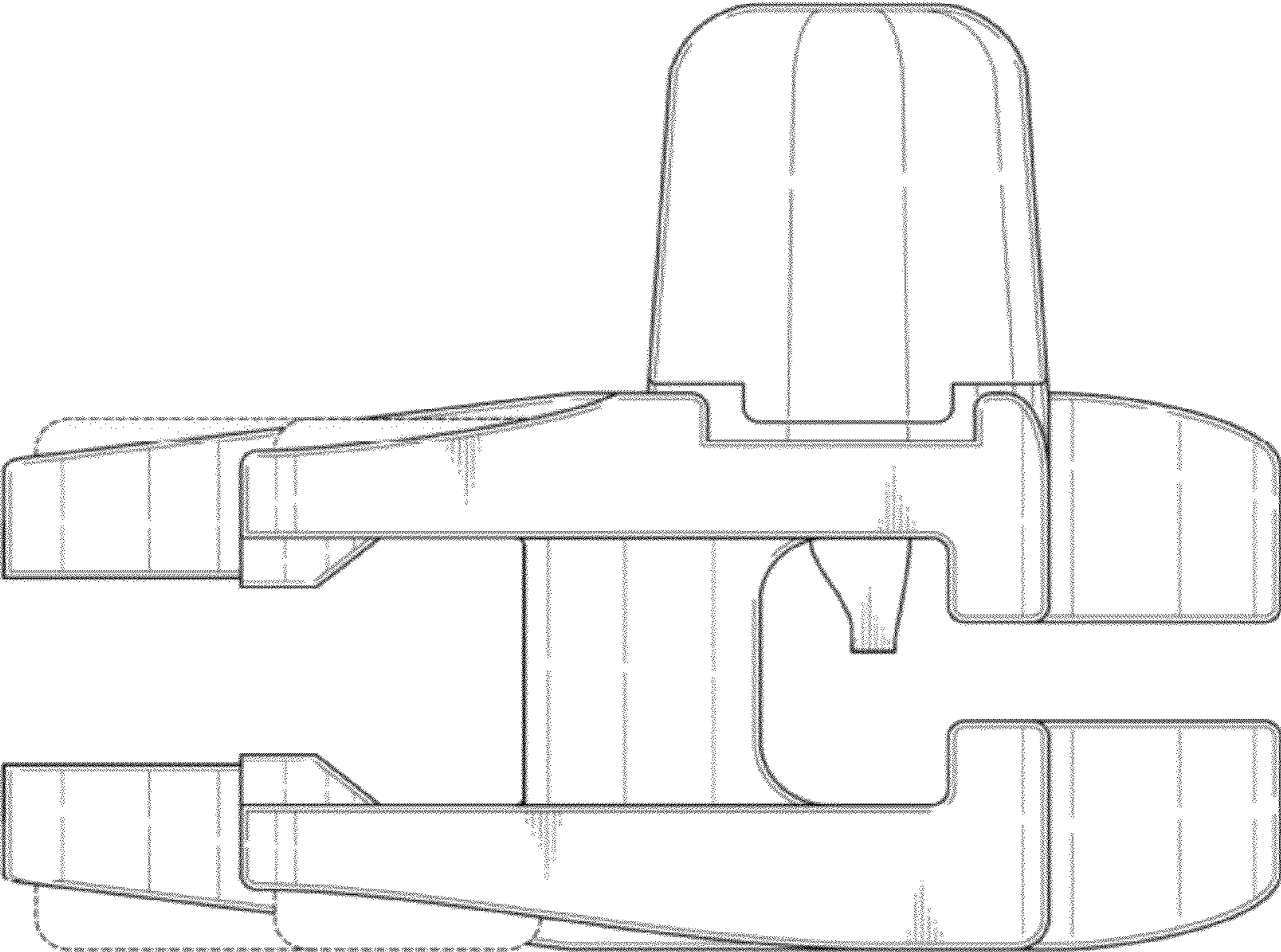


Fig. 8

