

US00D672684S

(12) **United States Design Patent**  
**Dubow**

(10) **Patent No.:** **US D672,684 S**  
(45) **Date of Patent:** **\*\* Dec. 18, 2012**

(54) **BARREL CORK CAGE ORNAMENT**

(75) Inventor: **Ardeen Dubow**, Santa Ana, CA (US)

(73) Assignee: **Epic Products, Inc.**, Santa Ana, CA (US)

(\*\*) Term: **14 Years**

(21) Appl. No.: **29/390,613**

(22) Filed: **Apr. 27, 2011**

(51) **LOC (9) Cl.** ..... **11-02**

(52) **U.S. Cl.** ..... **D11/157**

(58) **Field of Classification Search** ..... D11/131,  
D11/157, 125, 127; D7/560, 564, 563, 571,  
D7/628, 604, 606, 625, 601; D9/681, 600;  
D3/270, 271.1

See application file for complete search history.

(56) **References Cited**

**U.S. PATENT DOCUMENTS**

D16,734 S *	6/1886	Burnell	.....	D20/37
611,003 A *	9/1898	Roth	.....	220/4.06
D94,360 S *	1/1935	Rose	.....	D20/37
3,295,745 A *	1/1967	Winter	.....	229/67
D216,422 S *	1/1970	Koch	.....	D9/633
D254,244 S *	2/1980	Diez Blanco	.....	D9/600
D309,045 S *	7/1990	Herrero	.....	D30/112
D309,429 S *	7/1990	Grimm	.....	D3/271.1

D481,955 S *	11/2003	Telles	.....	D9/554
D486,272 S *	2/2004	Donegan	.....	D30/124
D498,335 S *	11/2004	Donegan	.....	D30/124
D617,611 S *	6/2010	DuBow	.....	D7/628
D617,612 S *	6/2010	DuBow	.....	D7/628

\* cited by examiner

*Primary Examiner* — T. Chase Nelson

*Assistant Examiner* — Michelle E Wilson

(74) *Attorney, Agent, or Firm* — Nath, Goldberg & Meyer;  
Jerald L. Meyer

(57) **CLAIM**

The ornamental design for a barrel cork cage ornament, as shown and described.

**DESCRIPTION**

FIG. 1 is a perspective view of a barrel cork cage ornament showing my new design;

FIG. 2 is a front elevation view thereof;

FIG. 3 is a back elevation view thereof;

FIG. 4 is a left side elevation view thereof;

FIG. 5 is a right side elevation view thereof;

FIG. 6 is a top view thereof; and,

FIG. 7 is a bottom view thereof.

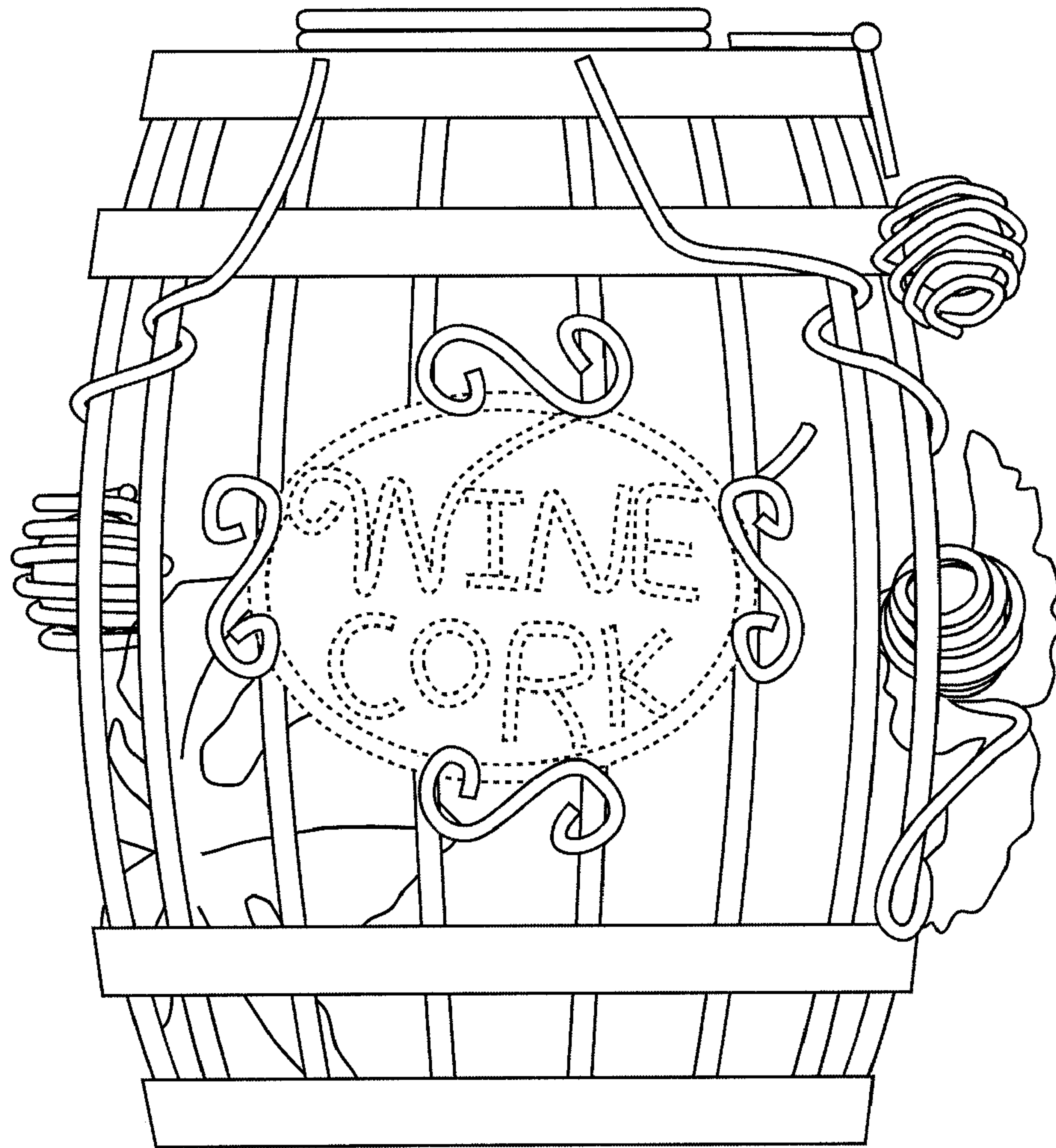
The broken line showing of the text and label on the barrel cork cage ornament forms no part of the claimed design.

**1 Claim, 7 Drawing Sheets**



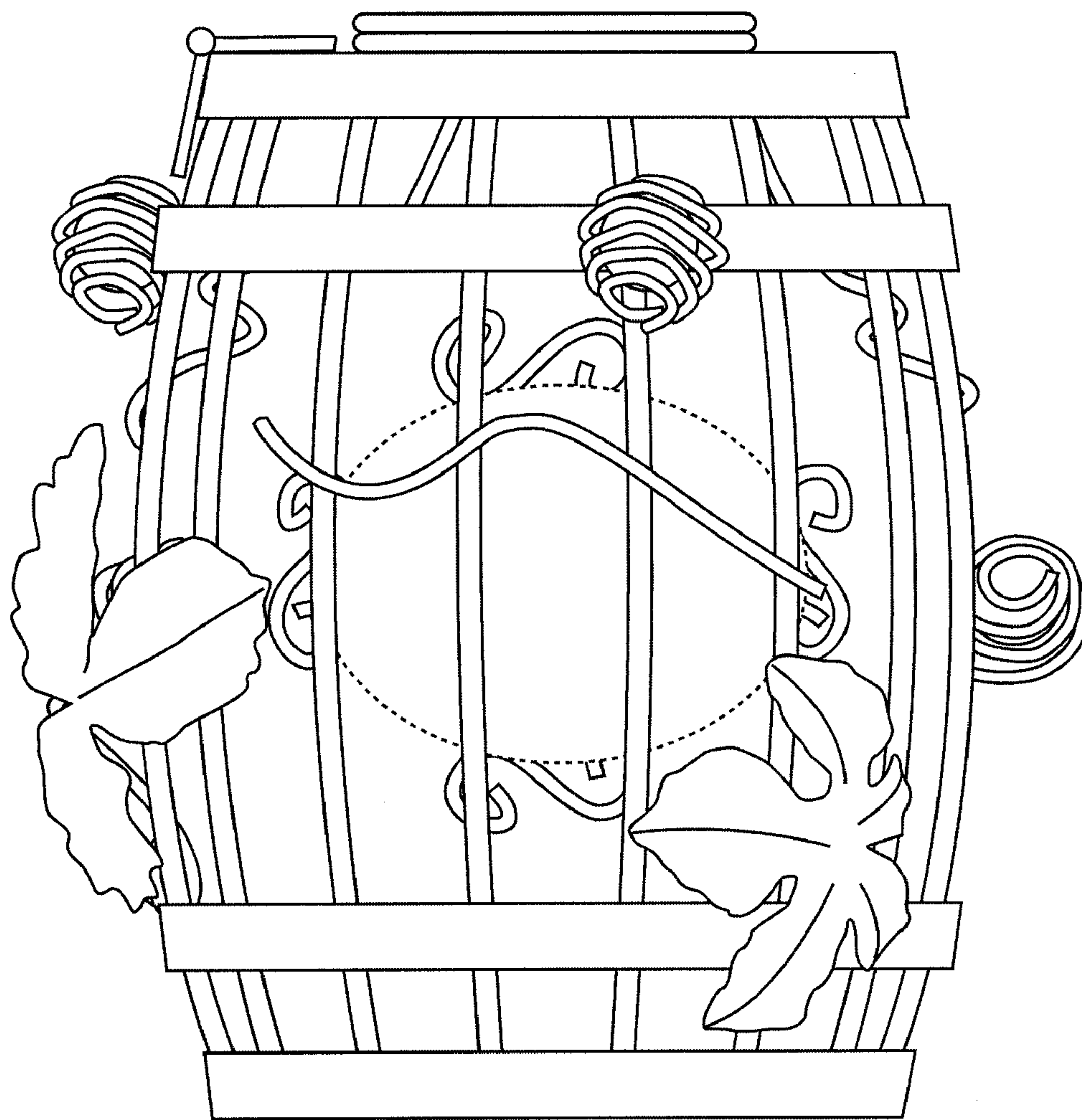


**FIG. 1**

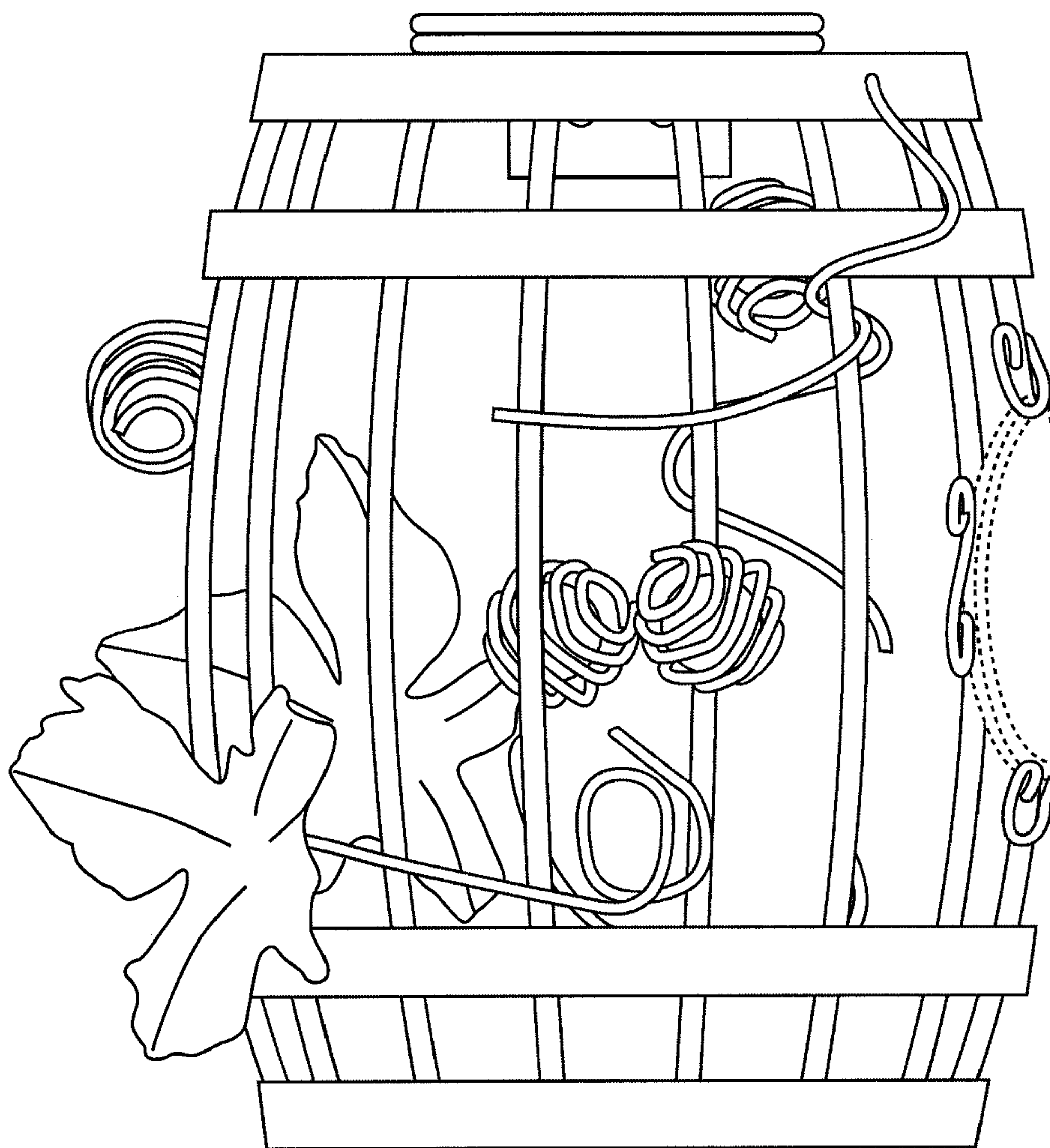


**FIG. 2**

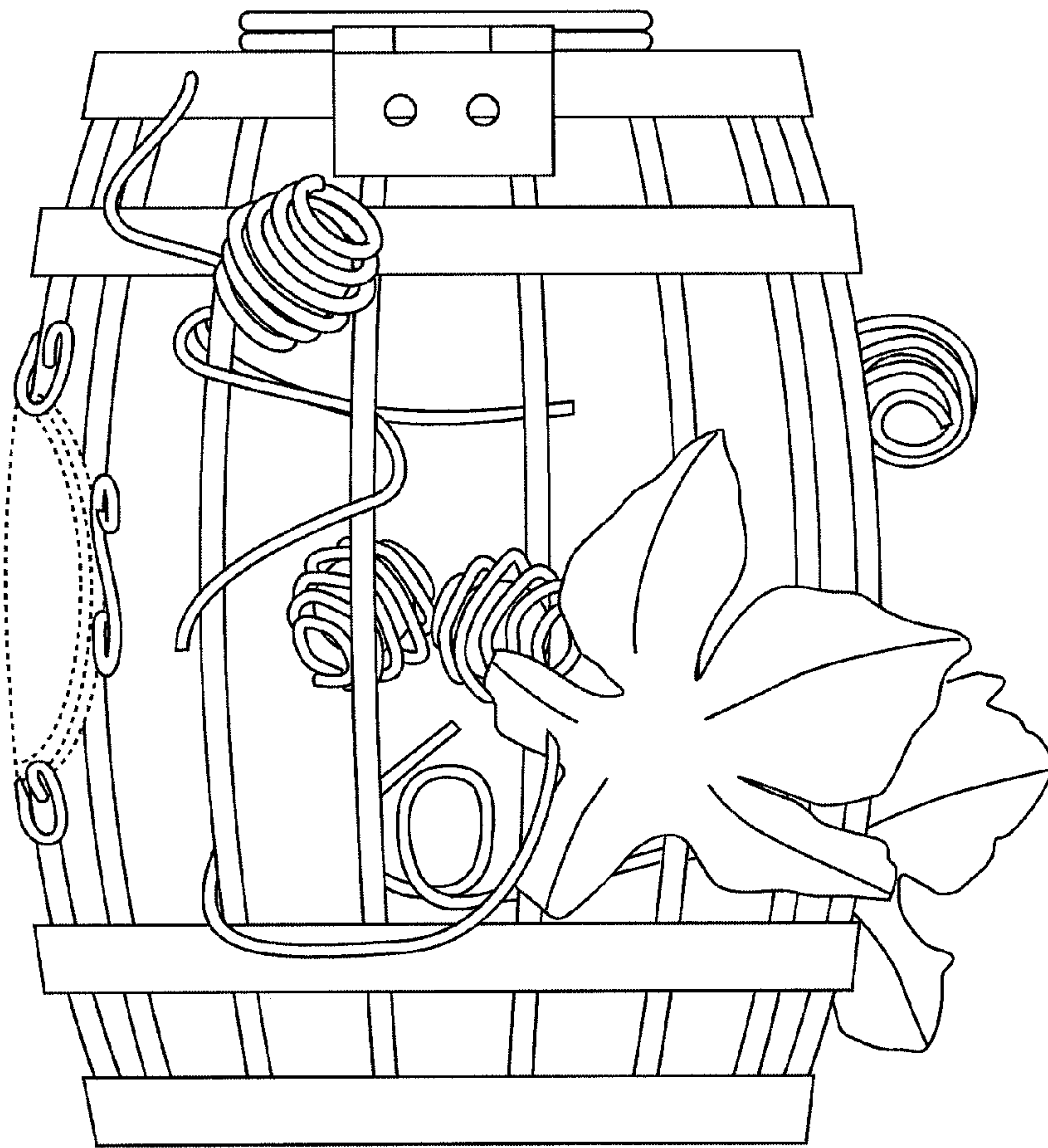




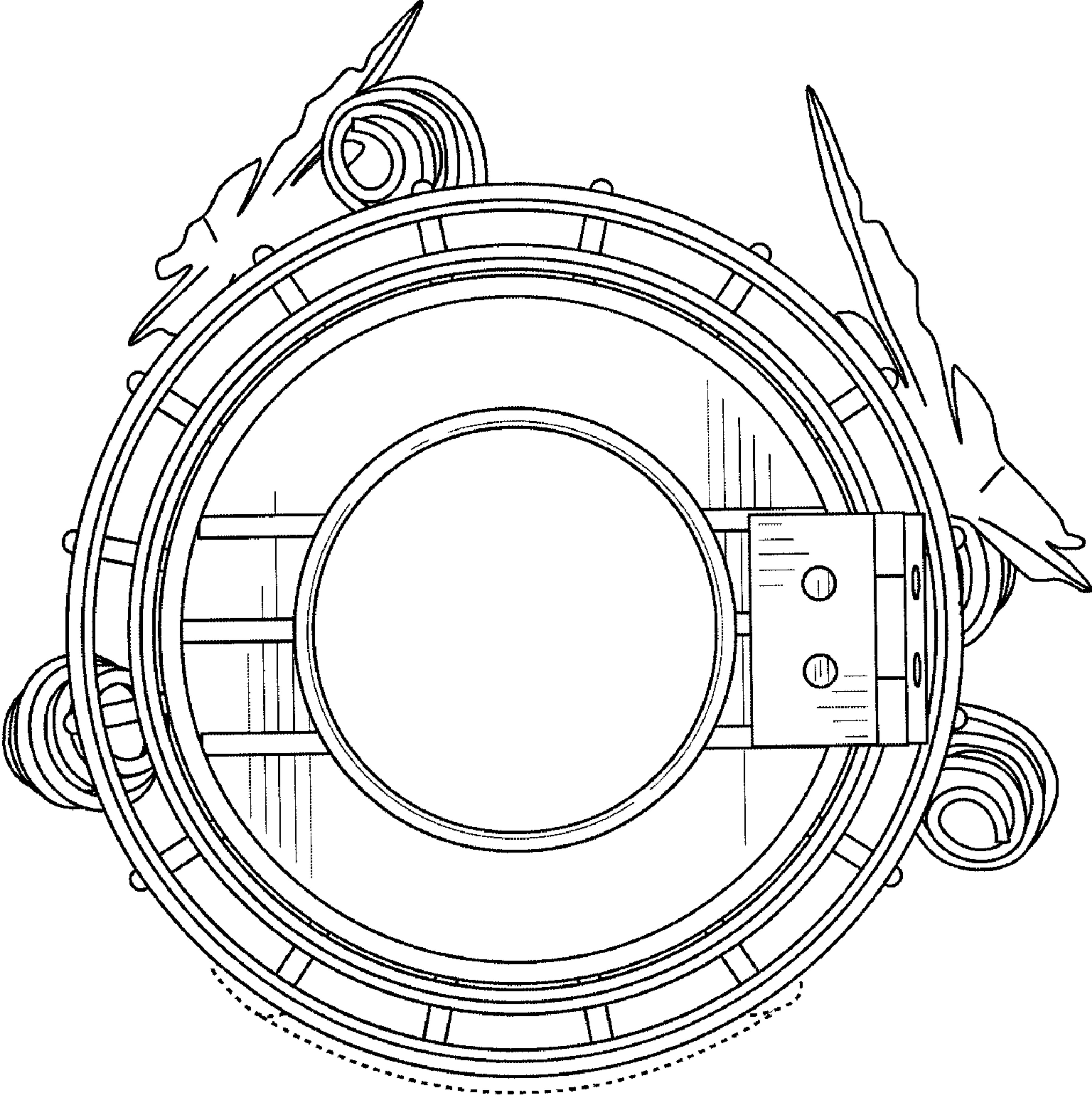
**FIG. 3**



**FIG. 4**

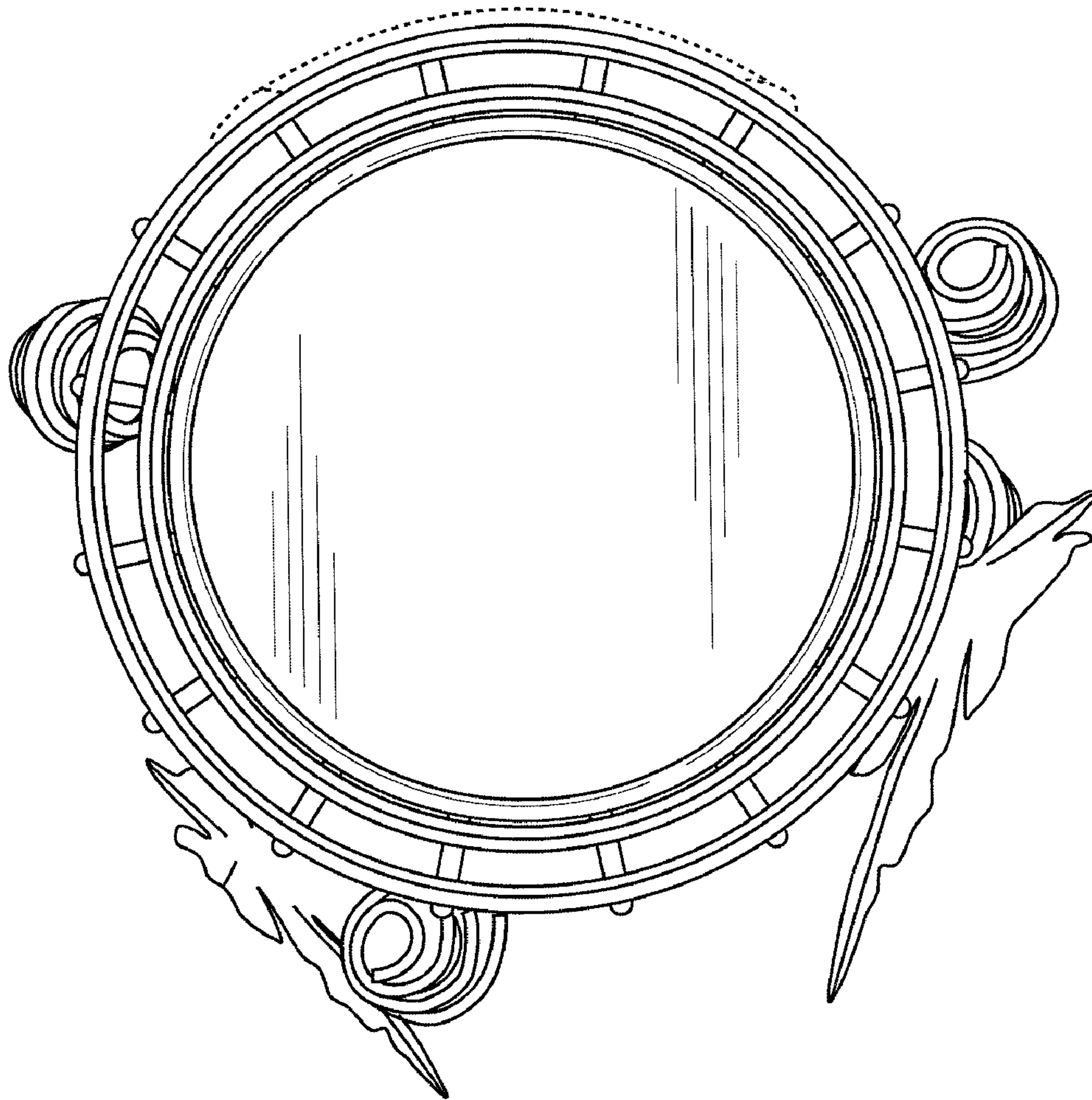


**FIG. 5**



**FIG. 6**





**FIG. 7**