



US00D672677S

(12) **United States Design Patent**  
**Kim et al.**

(10) **Patent No.:** **US D672,677 S**

(45) **Date of Patent:** **\*\* Dec. 18, 2012**

(54) **REFLECTOR**

(75) Inventors: **Eunhwa Kim**, Seoul (KR); **Sungho Hong**, Seoul (KR)

(73) Assignee: **LG Innotek Co., Ltd.**, Seoul (KR)

(\*\*) Term: **14 Years**

(21) Appl. No.: **29/391,139**

(22) Filed: **May 4, 2011**

(30) **Foreign Application Priority Data**

Nov. 19, 2010 (KR) ..... 30-2010-0050035

(51) **LOC (9) Cl.** ..... **10-05**

(52) **U.S. Cl.** ..... **D10/111; D26/118**

(58) **Field of Classification Search** ..... D10/109.1,  
D10/111; D26/113, 118-124; 362/341,  
362/346-350, 327, 328

See application file for complete search history.

(56) **References Cited**

**U.S. PATENT DOCUMENTS**

1,120,963 A \* 12/1914 Mygatt ..... 362/340  
D138,326 S \* 7/1944 Rambusch ..... D12/317  
D214,939 S \* 8/1969 Arrigoni ..... D26/120

D281,355 S \* 11/1985 Fraley et al. .... D26/2  
D463,590 S \* 9/2002 Huang ..... D26/36  
6,603,243 B2 \* 8/2003 Parkyn et al. .... 313/113  
D515,943 S \* 2/2006 Hamblin et al. .... D9/756  
7,070,312 B2 \* 7/2006 Tatsukawa ..... 362/545  
D556,364 S \* 11/2007 McDowell ..... D26/118  
D569,543 S \* 5/2008 Toda ..... D26/122  
7,445,363 B2 \* 11/2008 Vanden Eynden ..... 362/346  
D608,492 S \* 1/2010 Zaderej et al. .... D26/123  
D621,993 S \* 8/2010 Jong ..... D26/118  
D622,440 S \* 8/2010 Briese ..... D26/118

\* cited by examiner

*Primary Examiner* — George D Kirschbaum

(74) *Attorney, Agent, or Firm* — Lowe Hauptman Ham & Berner, LLP

(57) **CLAIM**

The ornamental design for a reflector, as shown and described.

**DESCRIPTION**

FIG. 1 is a perspective view of a reflector showing my/our new design;

FIG. 2 is a front elevational view thereof, a rear elevational view, a left side elevational view and a right side elevational view being identical;

FIG. 3 is a top plan view thereof;

FIG. 4 is a bottom plan view thereof; and,

FIG. 5 is a cross-sectional view taken along line 5-5 of FIG. 3.

**1 Claim, 3 Drawing Sheets**

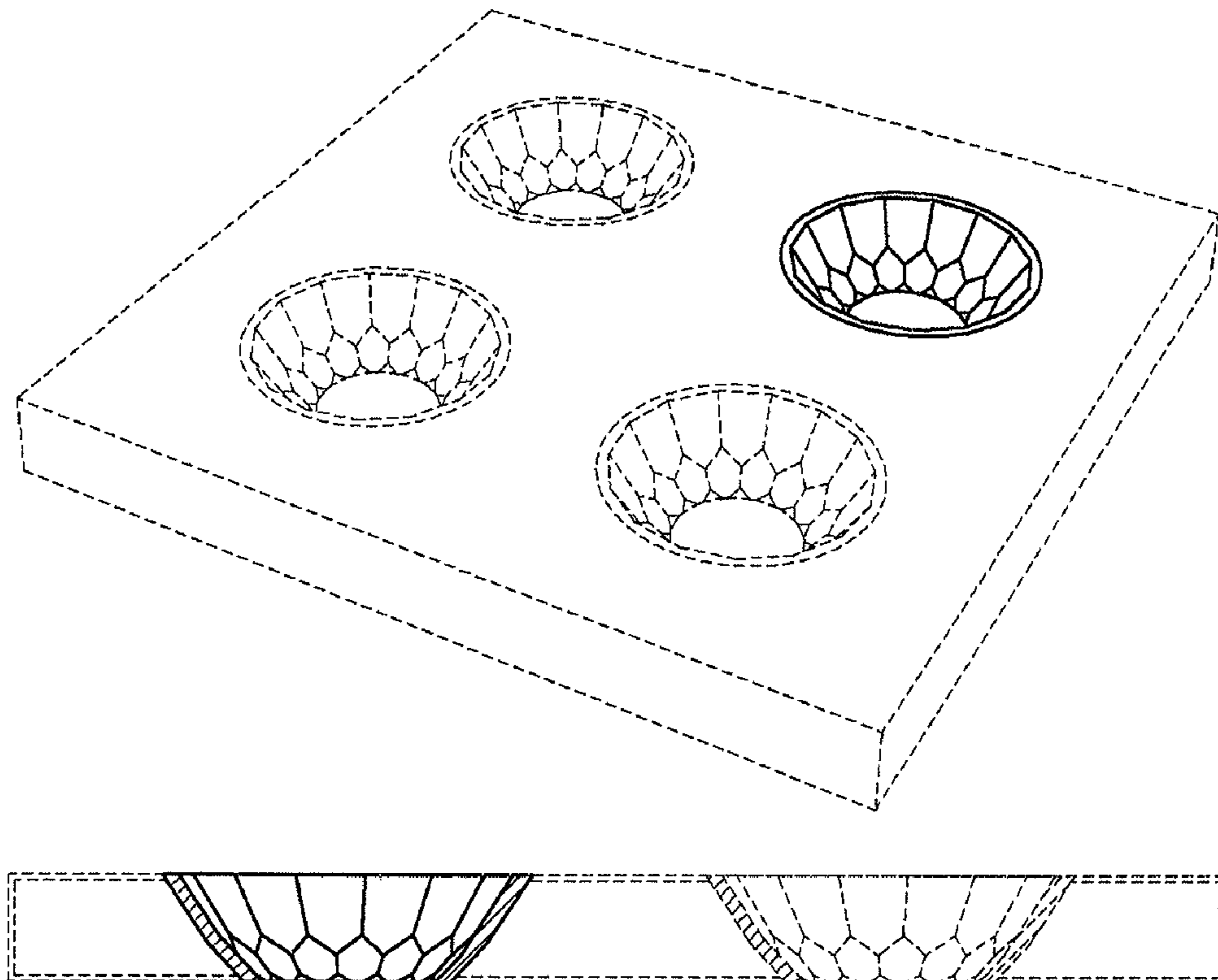


FIG. 1

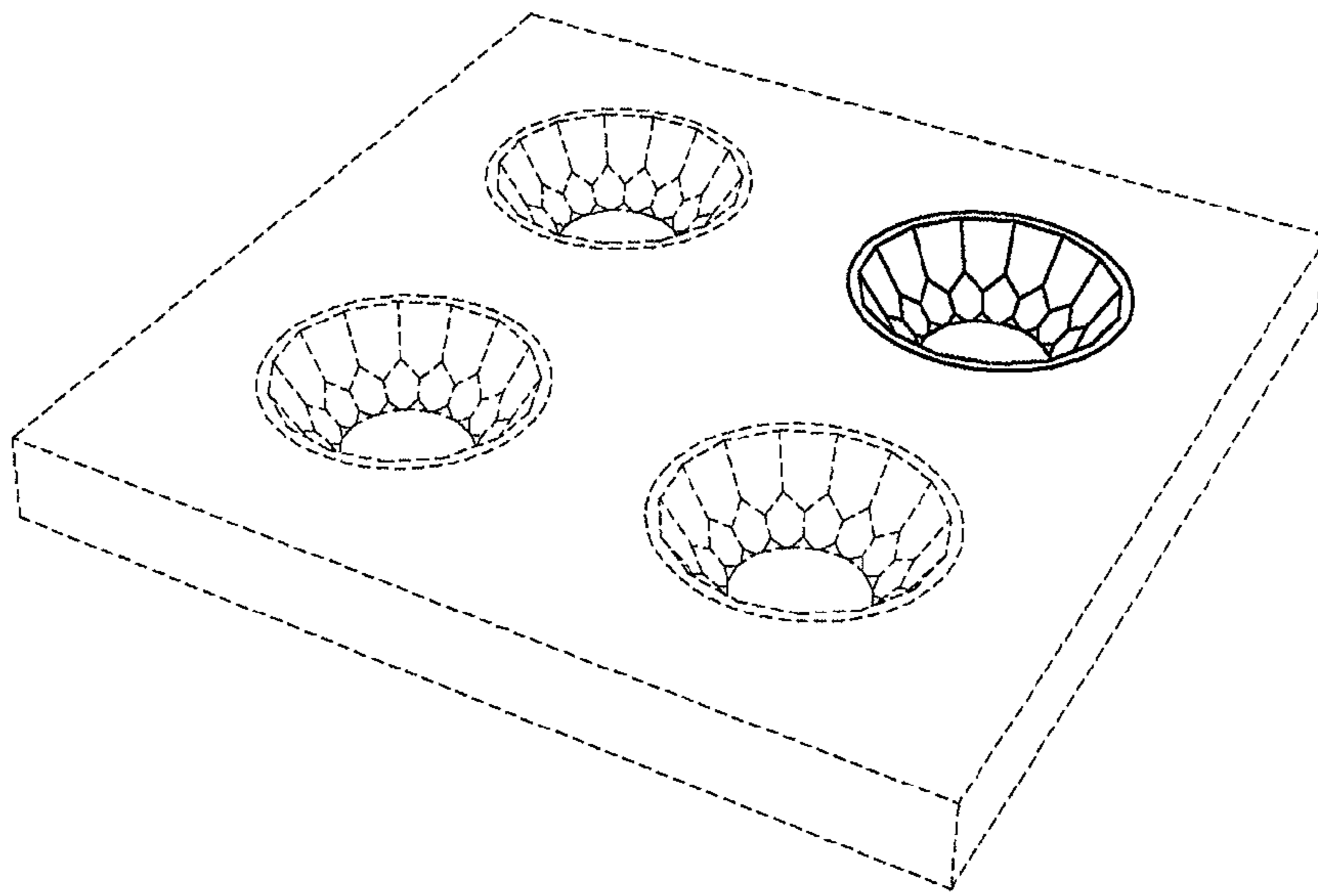


FIG. 2

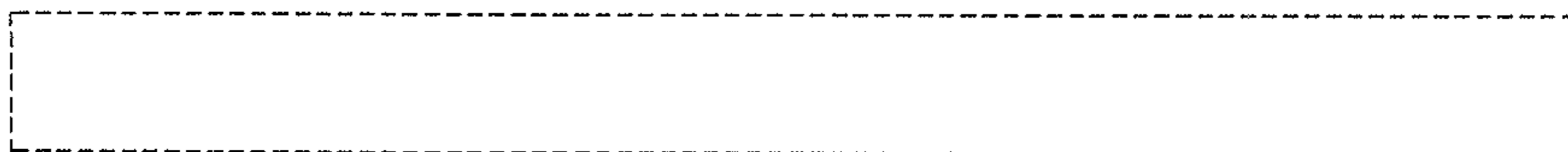


FIG. 3

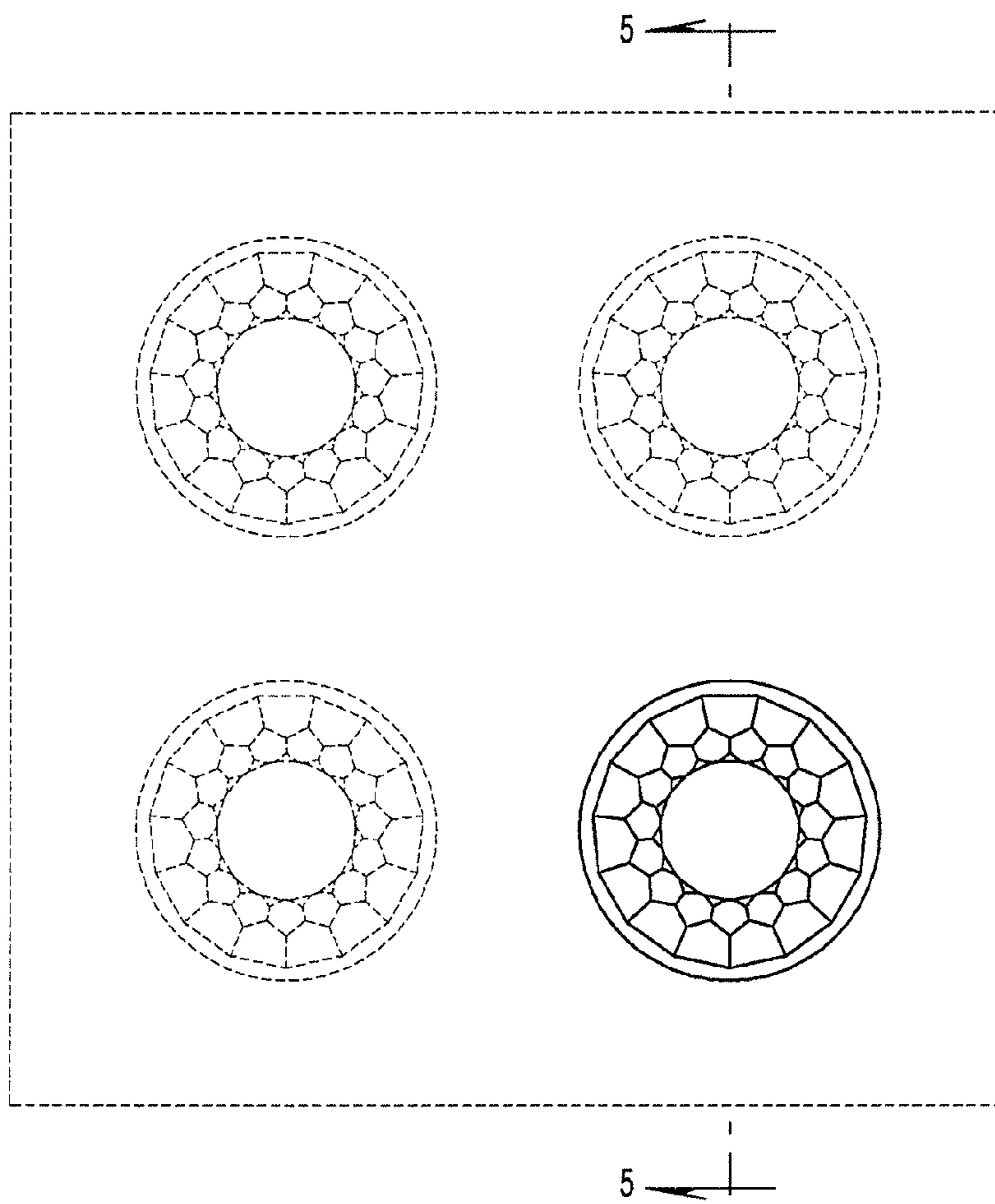


FIG. 4

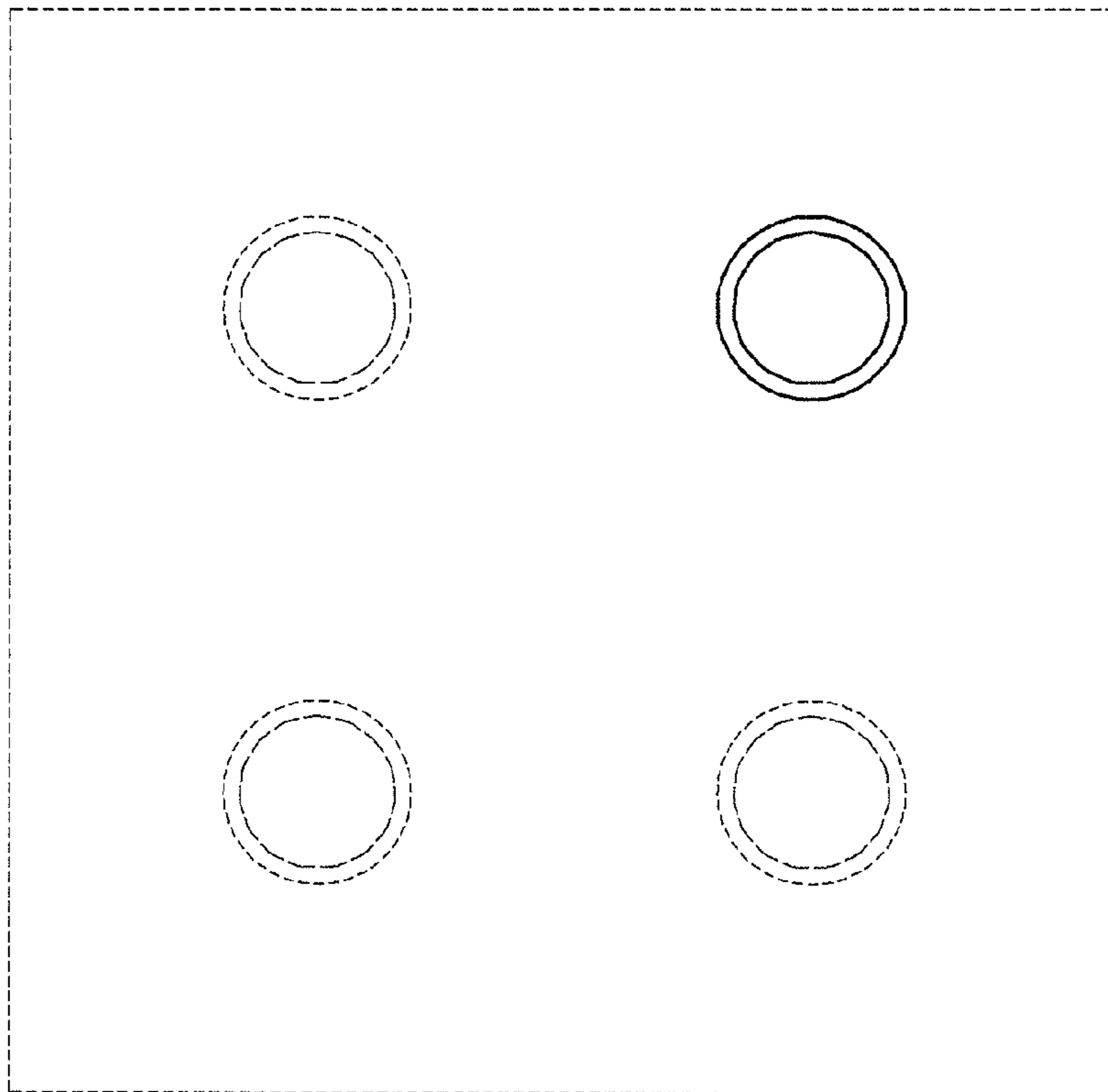


FIG. 5

