



US00D672674S

(12) **United States Design Patent**  
**Davis**

(10) **Patent No.:** **US D672,674 S**  
(45) **Date of Patent:** **\*\* Dec. 18, 2012**

(54) **SOLAR CONTROLLED LIGHTED SIGN**

(76) Inventor: **Gerald Alan Davis**, Torrance, CA (US)

(\*\*) Term: **14 Years**

(21) Appl. No.: **29/414,747**

(22) Filed: **Mar. 2, 2012**

(51) **LOC (9) Cl.** ..... **10-05**

(52) **U.S. Cl.** ..... **D10/109.2**

(58) **Field of Classification Search** ... D10/114.2-114.4,  
D10/111, 109.1, 109.2; D26/28-31, 72,  
D26/119, 120, 35; 362/544, 459, 466, 183,  
362/431, 428, 294, 584; 40/591, 582; 340/908,  
340/907, 500, 915, 904; 701/117  
See application file for complete search history.

(56) **References Cited**

**U.S. PATENT DOCUMENTS**

D341,099	S *	11/1993	Erwin	.....	D10/114.8
6,057,785	A *	5/2000	Guthrie	.....	340/904
6,243,644	B1 *	6/2001	Dengler	.....	701/117
D644,134	S *	8/2011	Huang	.....	D10/114.1
8,164,483	B1 *	4/2012	Phillips	.....	340/908
2001/0054970	A1 *	12/2001	Jones	.....	340/915

2009/0000166	A1 *	1/2009	Gallet	.....	40/582
2009/0174542	A1 *	7/2009	Gentry et al.	.....	340/500
2012/0001772	A1 *	1/2012	Jones	.....	340/907

\* cited by examiner

*Primary Examiner* — George D Kirschbaum

(74) *Attorney, Agent, or Firm* — James A. Italia; Italia IP

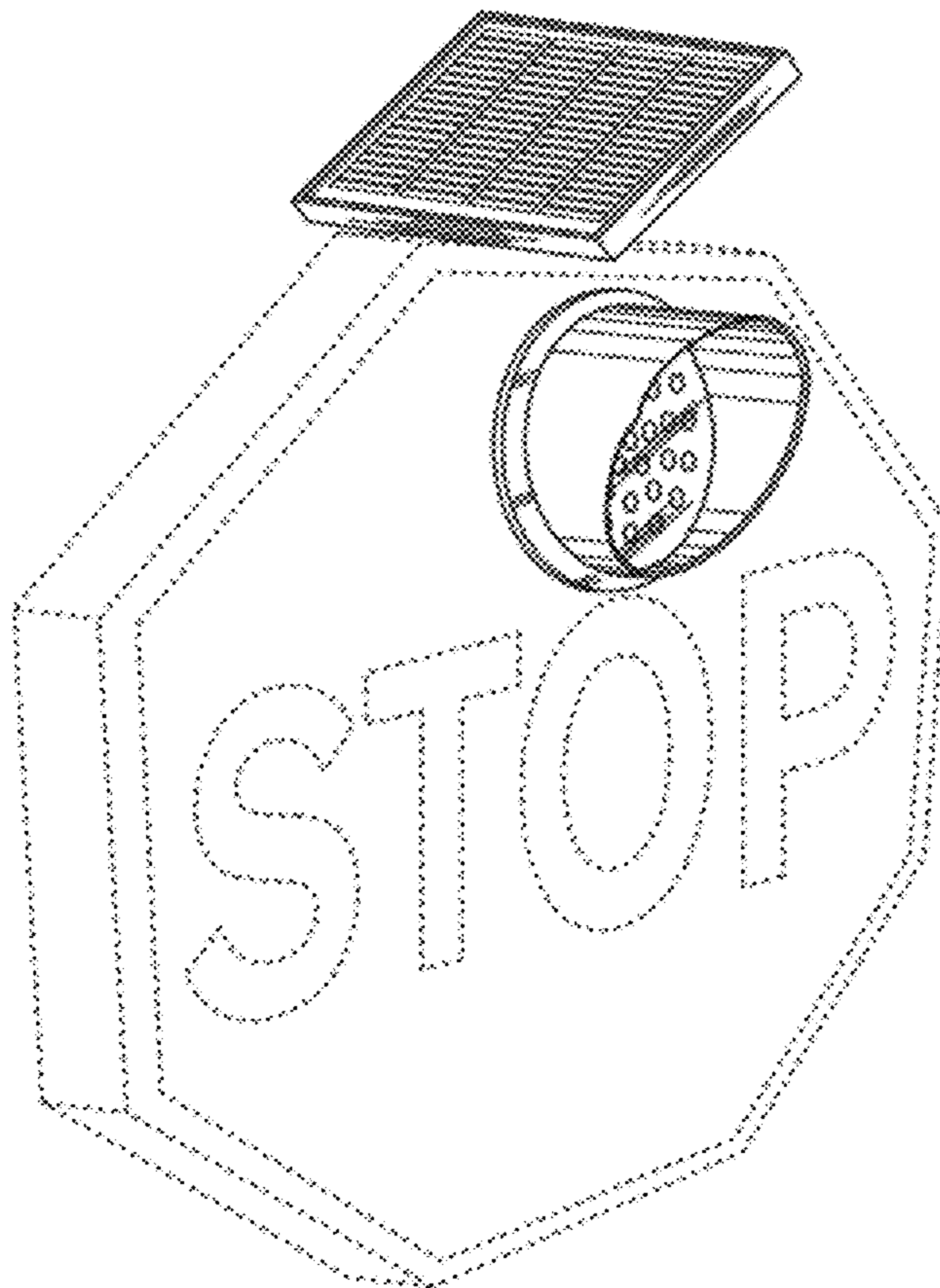
(57) **CLAIM**

The ornamental design for solar controlled lighted sign, as shown and described.

**DESCRIPTION**

FIG. 1 is a perspective view of the sign, showing my new design;  
FIG. 2 is a front view of the design shown in FIG. 1;  
FIG. 3 is a rear plan view of a sign as shown in FIG. 1;  
FIG. 4 is a left-side elevational view of a sign as shown in FIG. 1;  
FIG. 5 is a right-side elevational view of a sign as shown in FIG. 1;  
FIG. 6 is a top plan view of a sign as shown in FIG. 1; and,  
FIG. 7 is a bottom plan view of a sign as shown in FIG. 1.  
The broken line showing a portion of a sign is for illustrative purposes only and forms no part of the claimed design.

**1 Claim, 4 Drawing Sheets**



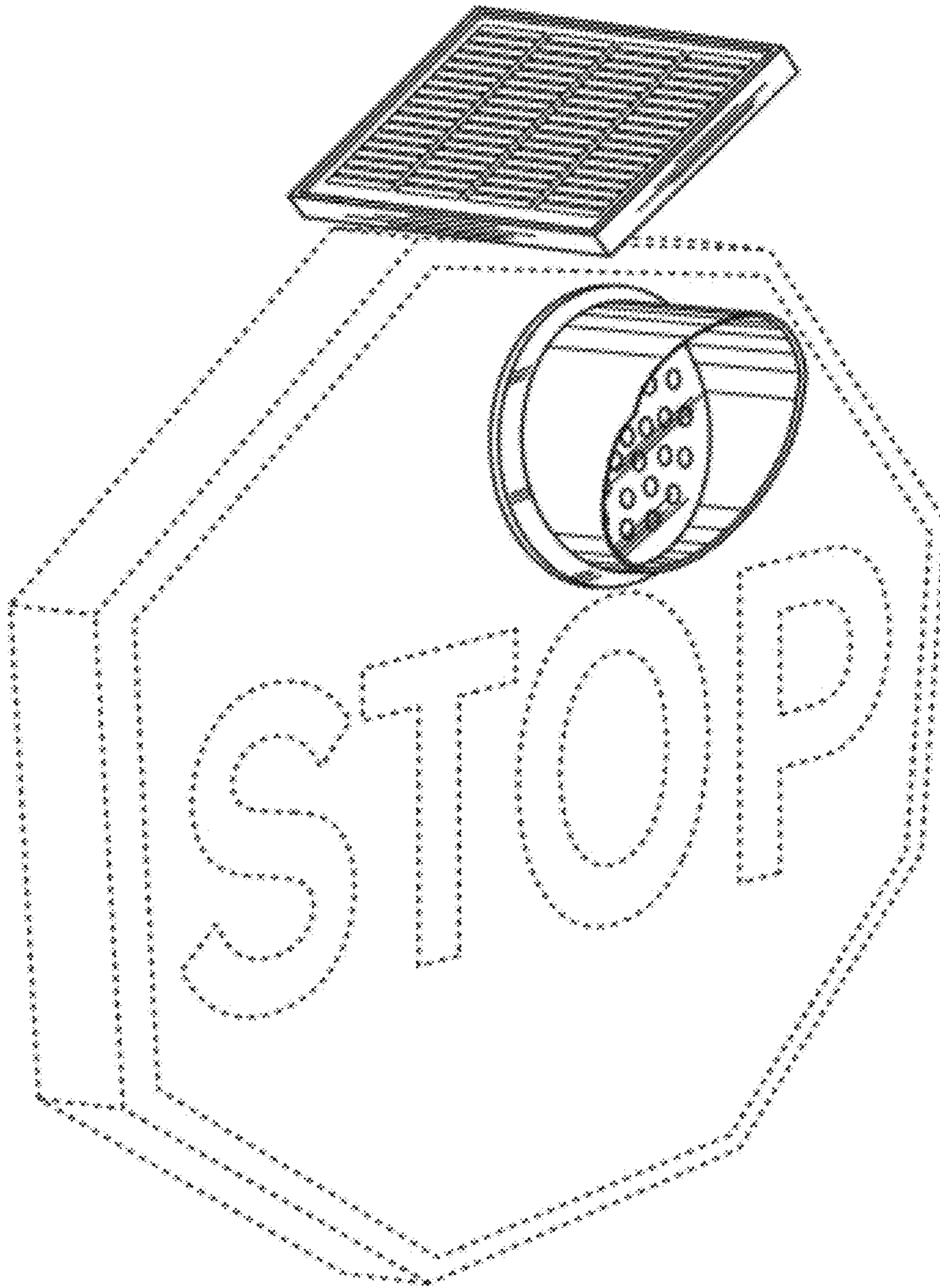


FIG. 1

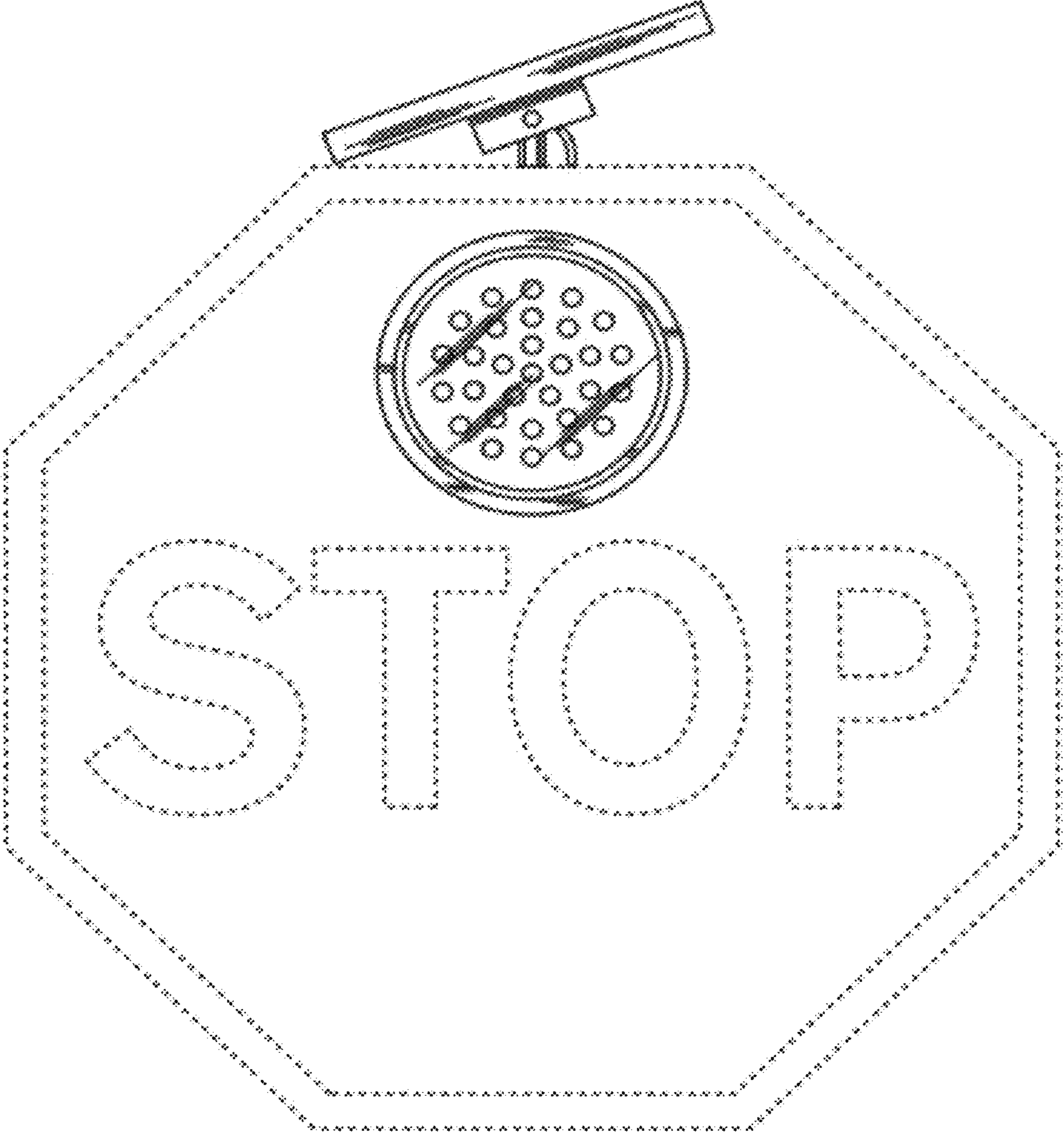


FIG. 2

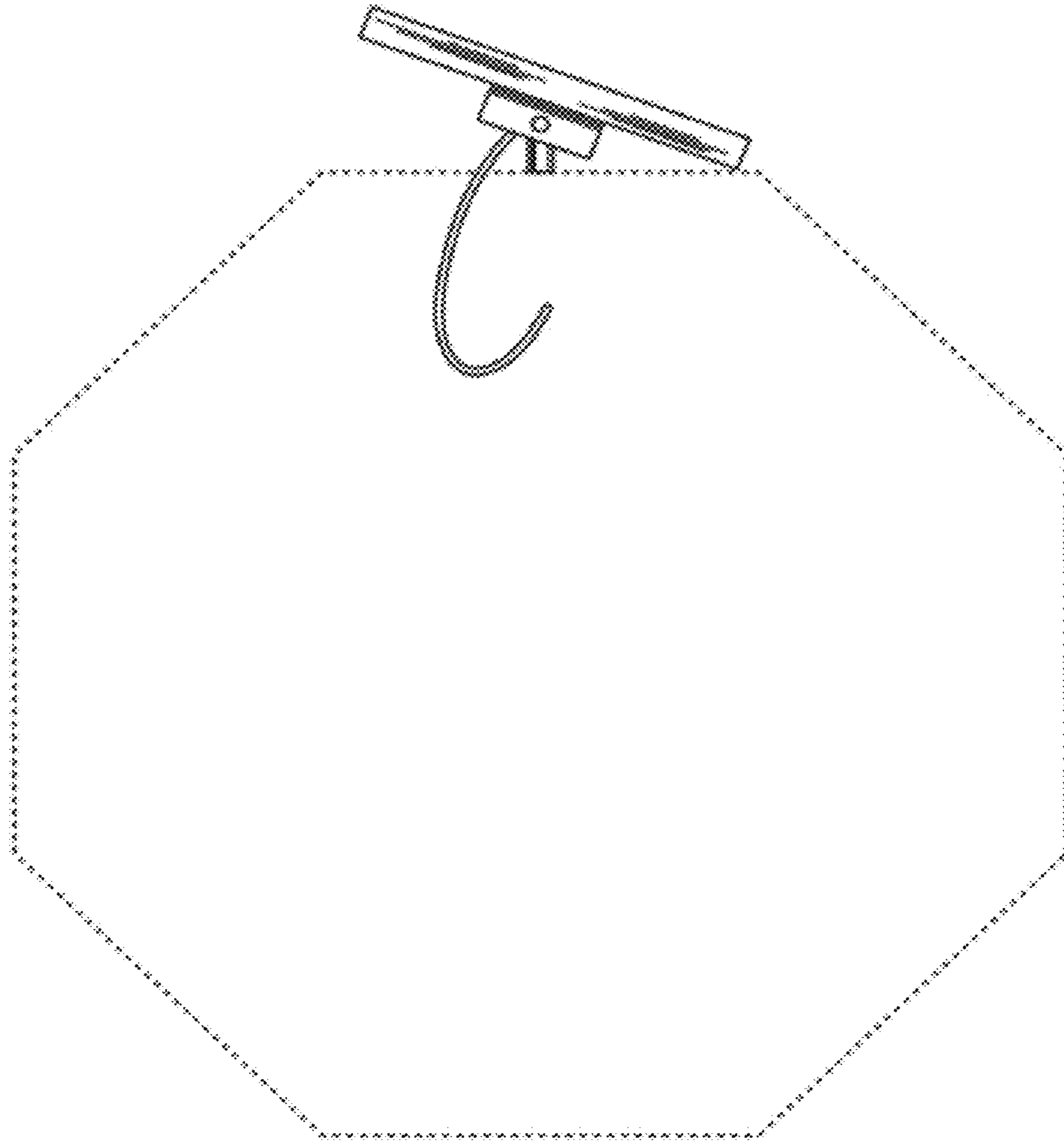


FIG. 3

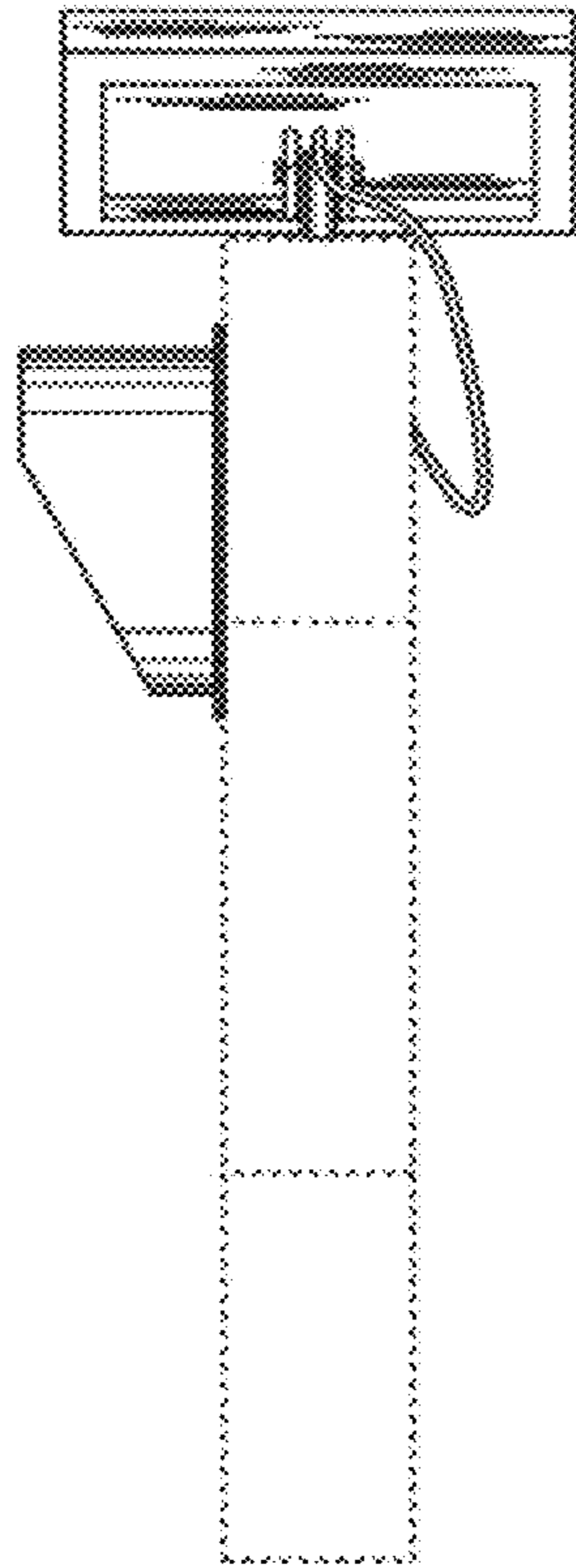


FIG. 4

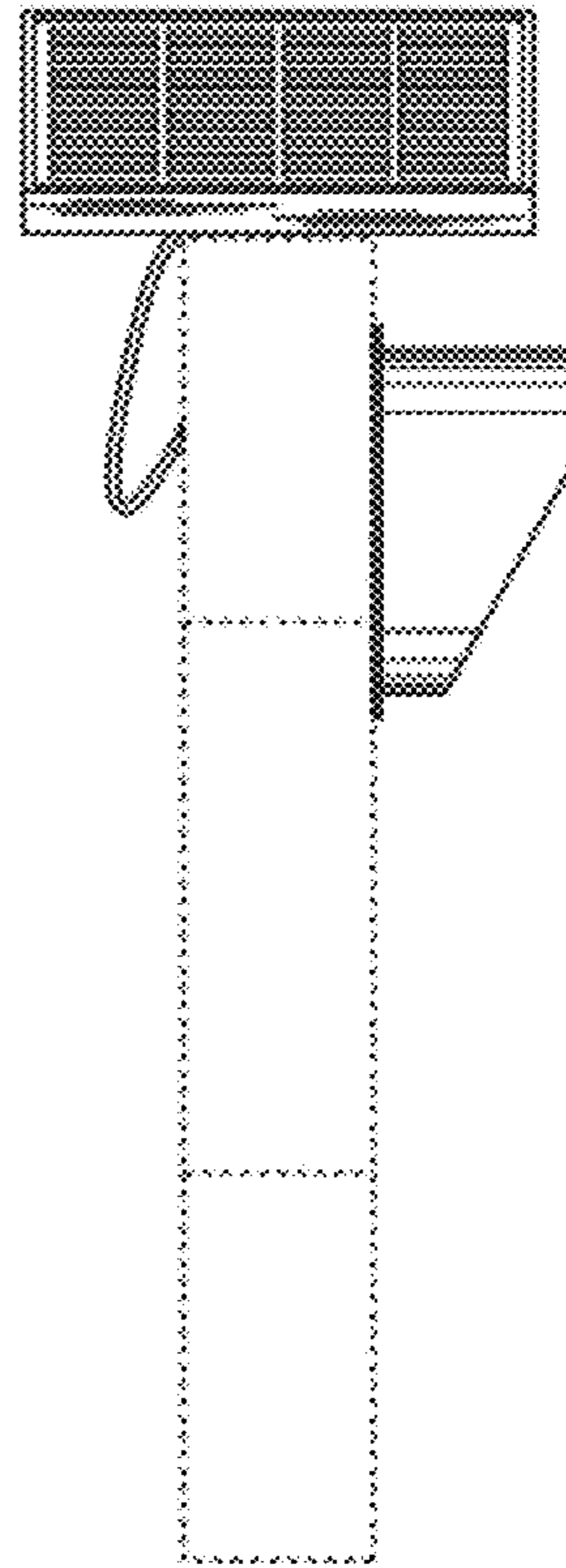


FIG. 5

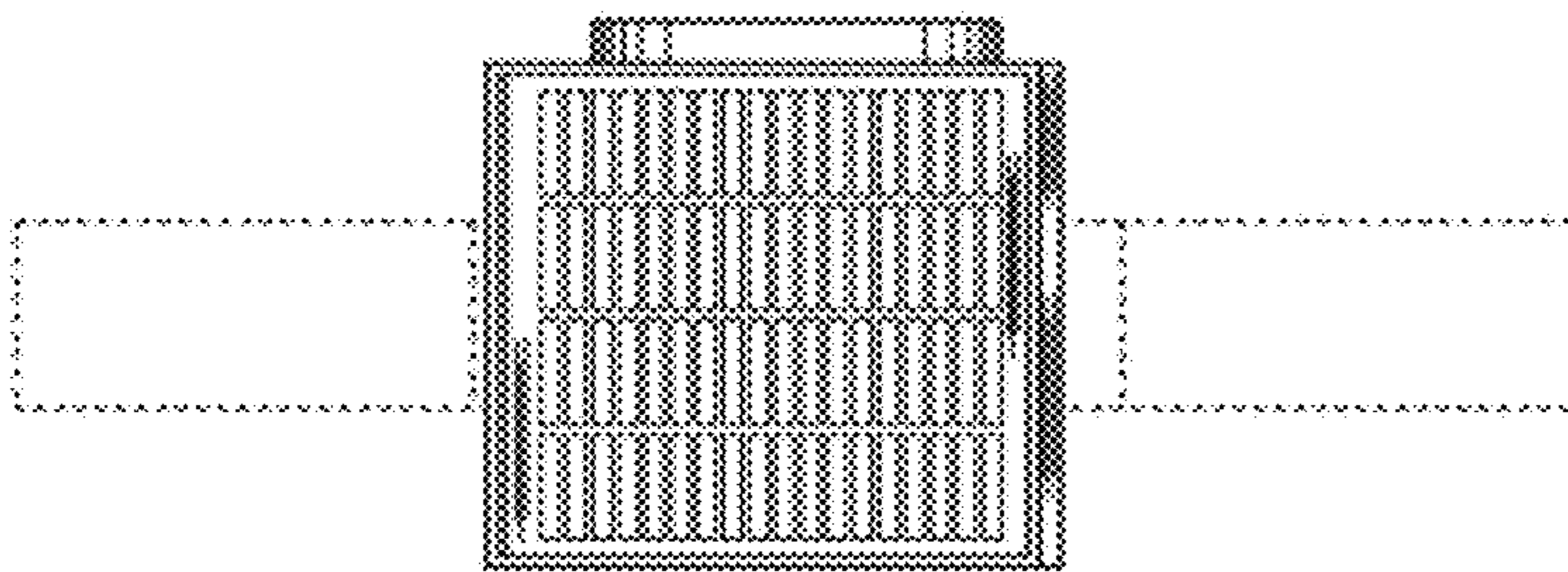


FIG. 6

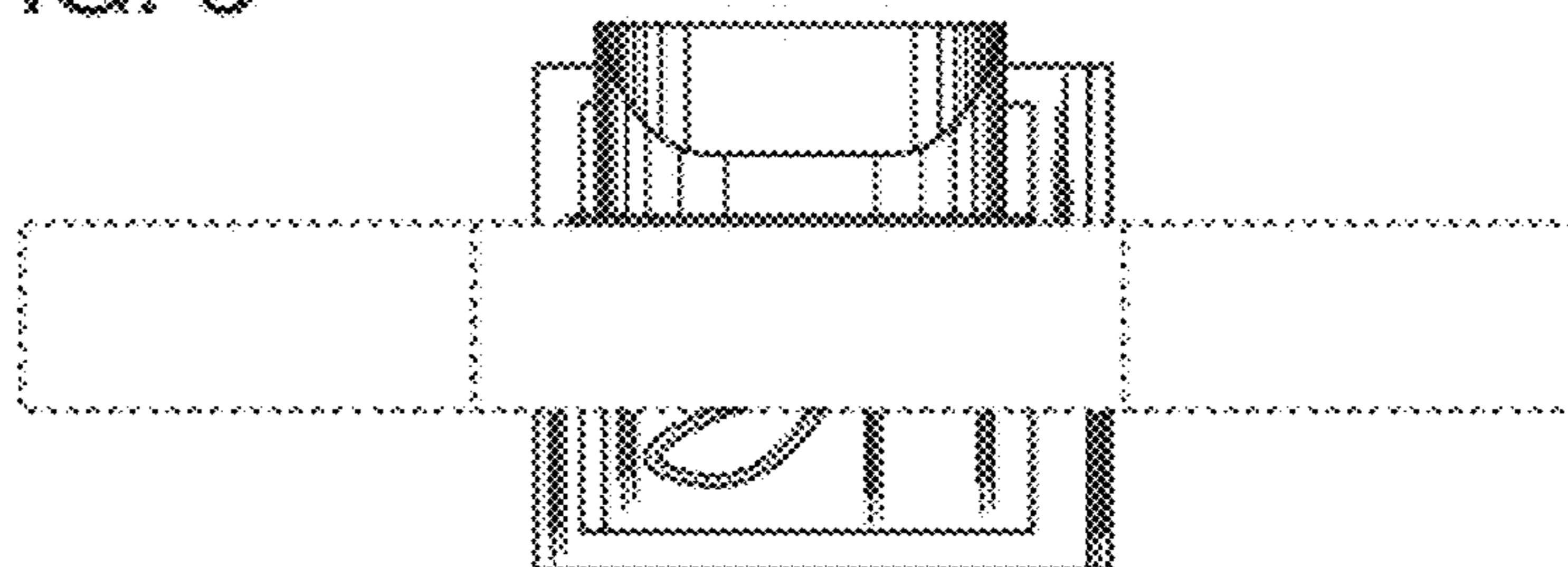


FIG. 7