

US00D672672S

(12) **United States Design Patent**  
**Mueller et al.**

(10) **Patent No.:** **US D672,672 S**

(45) **Date of Patent:** **\*\* Dec. 18, 2012**

(54) **CONTROL TERMINAL**

(75) Inventors: **Alexander Mueller**, Fuerth (DE);  
**Sebastian Maier**, Fuerth (DE)

(73) Assignee: **Sartorius Weighing Technology GmbH**  
(DE)

(\*\*) Term: **14 Years**

(21) Appl. No.: **29/398,772**

(22) Filed: **Aug. 4, 2011**

(30) **Foreign Application Priority Data**

Feb. 7, 2011 (EM) ..... 001817503-0009

(51) **LOC (9) Cl.** ..... **10-04**

(52) **U.S. Cl.** ..... **D10/94; D10/103**

(58) **Field of Classification Search** ..... D10/88-91,  
D10/94, 103; 177/25.13-25.18, 177-182,  
177/211-214, 210 R, 210 C, 210 GM, 210 FP,  
177/210 PP, 210 EM, 148, 236-245, DIG. 3  
See application file for complete search history.

(56) **References Cited**

**U.S. PATENT DOCUMENTS**

D350,075 S \* 8/1994 Reeder ..... D10/94  
7,256,357 B1 \* 8/2007 Kesselman ..... 177/25.15  
D591,624 S \* 5/2009 Taylor ..... D10/91

D591,625 S \* 5/2009 Taylor ..... D10/91  
D596,517 S \* 7/2009 Kesselman ..... D10/91  
7,633,018 B2 \* 12/2009 Leisinger et al. .... 177/25.13  
8,106,314 B2 \* 1/2012 Klauer ..... 177/25.13

\* cited by examiner

*Primary Examiner* — Antoine D Davis

(74) *Attorney, Agent, or Firm* — Gerald E. Hespos; Michael  
J. Porco

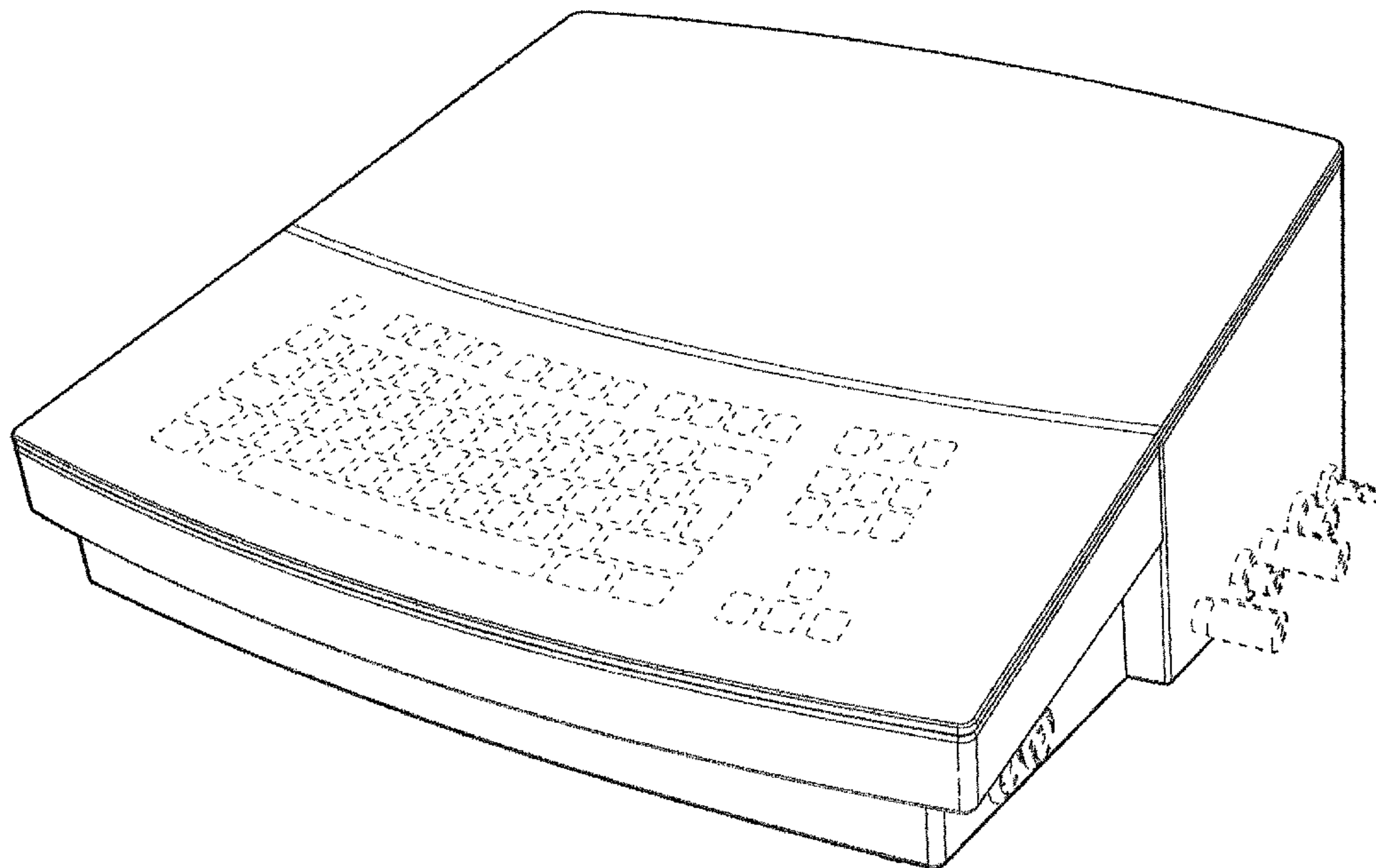
(57) **CLAIM**

The ornamental design for a control terminal, as shown and  
described.

**DESCRIPTION**

FIG. 1 is a front perspective view of a control terminal show-  
ing the new design;  
FIG. 2 is a rear perspective view thereof;  
FIG. 3 is a front elevational view thereof;  
FIG. 4 is a rear elevational view thereof;  
FIG. 5 is a top plan view thereof;  
FIG. 6 is a bottom plan view thereof;  
FIG. 7 is a right side elevational view thereof; and,  
FIG. 8 is a left side elevational view thereof.  
The portion shown in dashed lines forms no part of the  
claimed design.

**1 Claim, 8 Drawing Sheets**



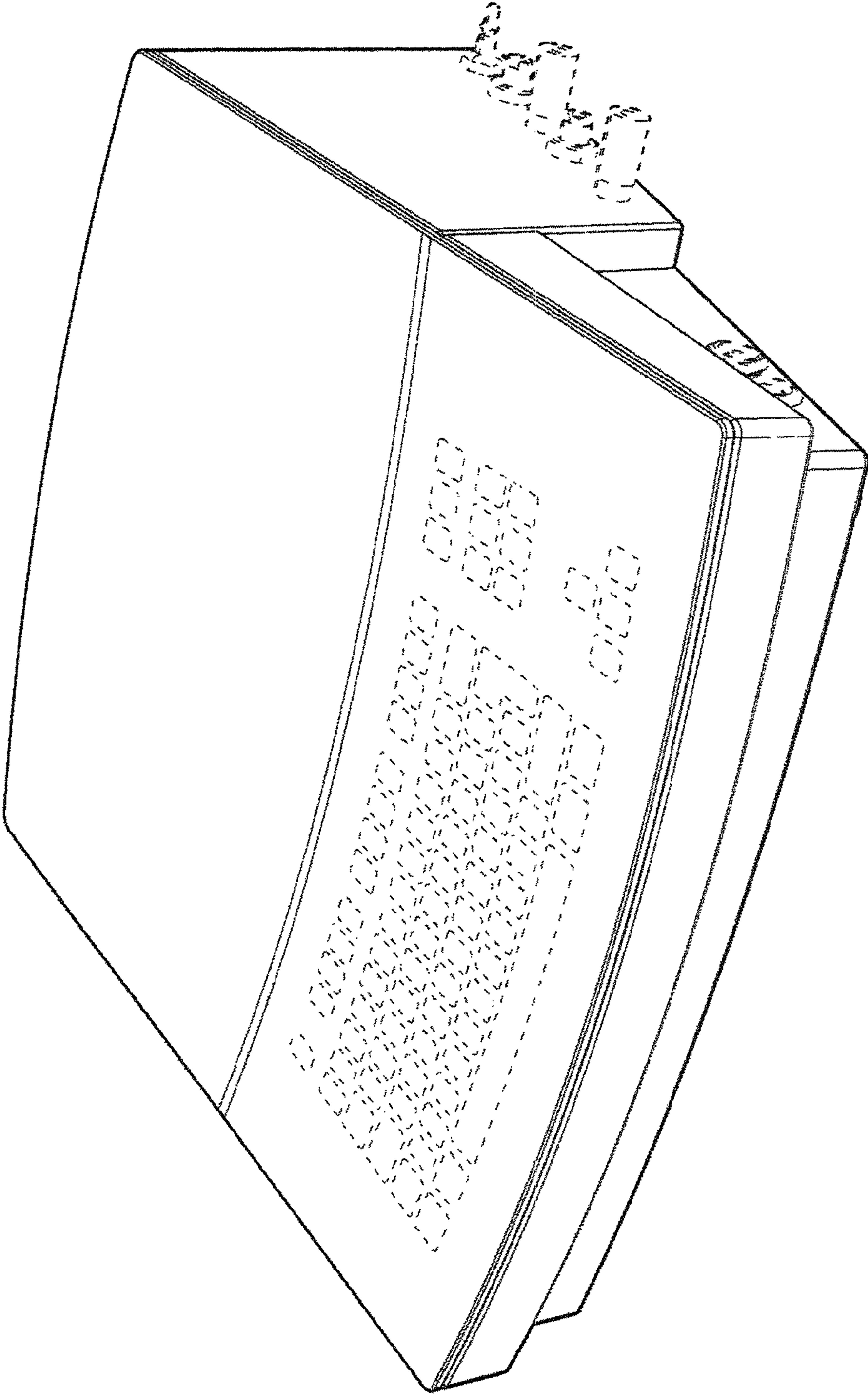


FIG. 1

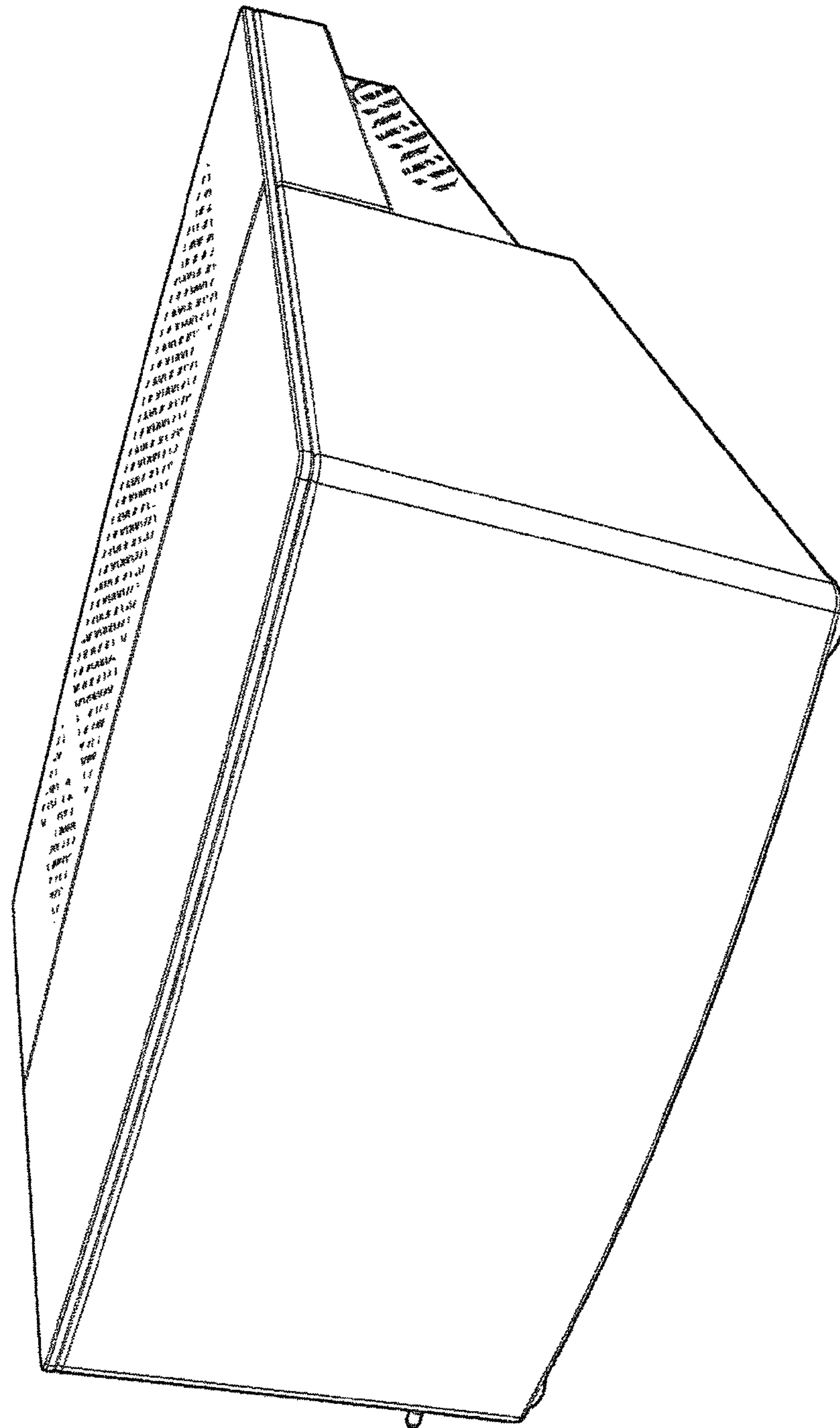


FIG. 2

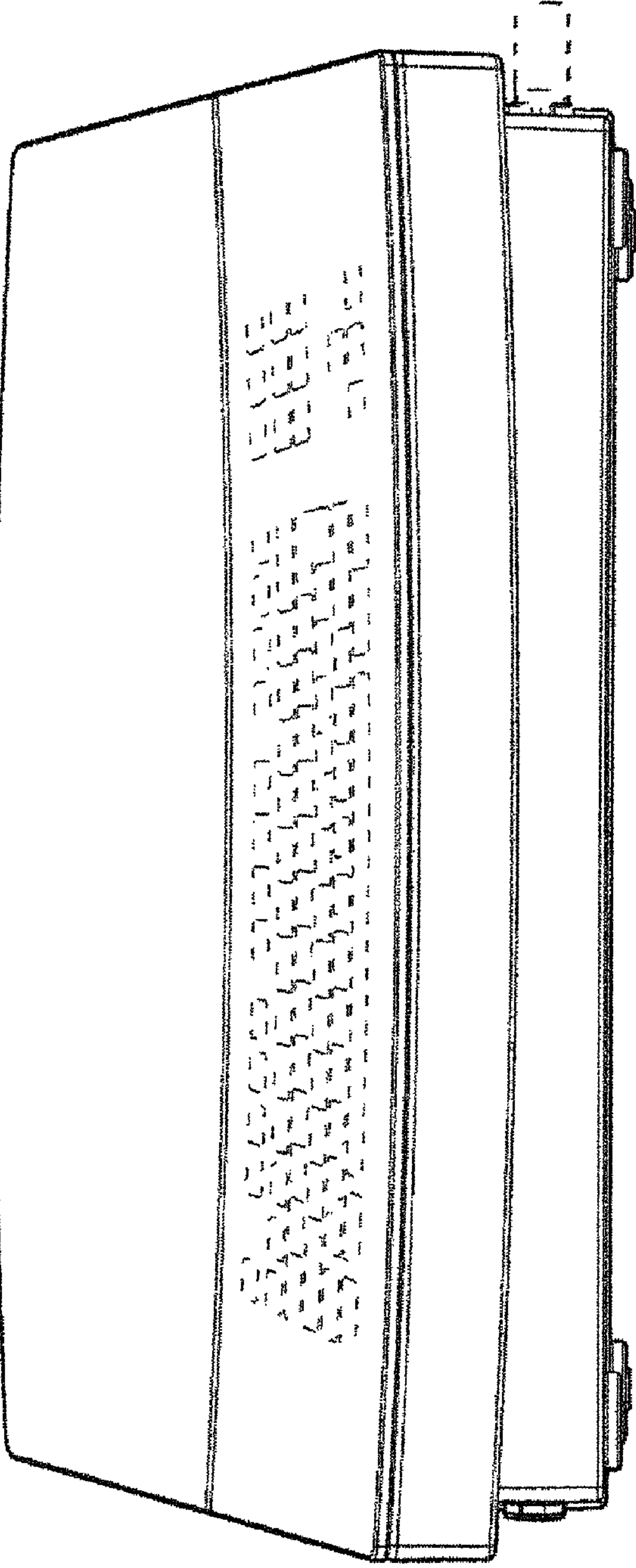


FIG. 3



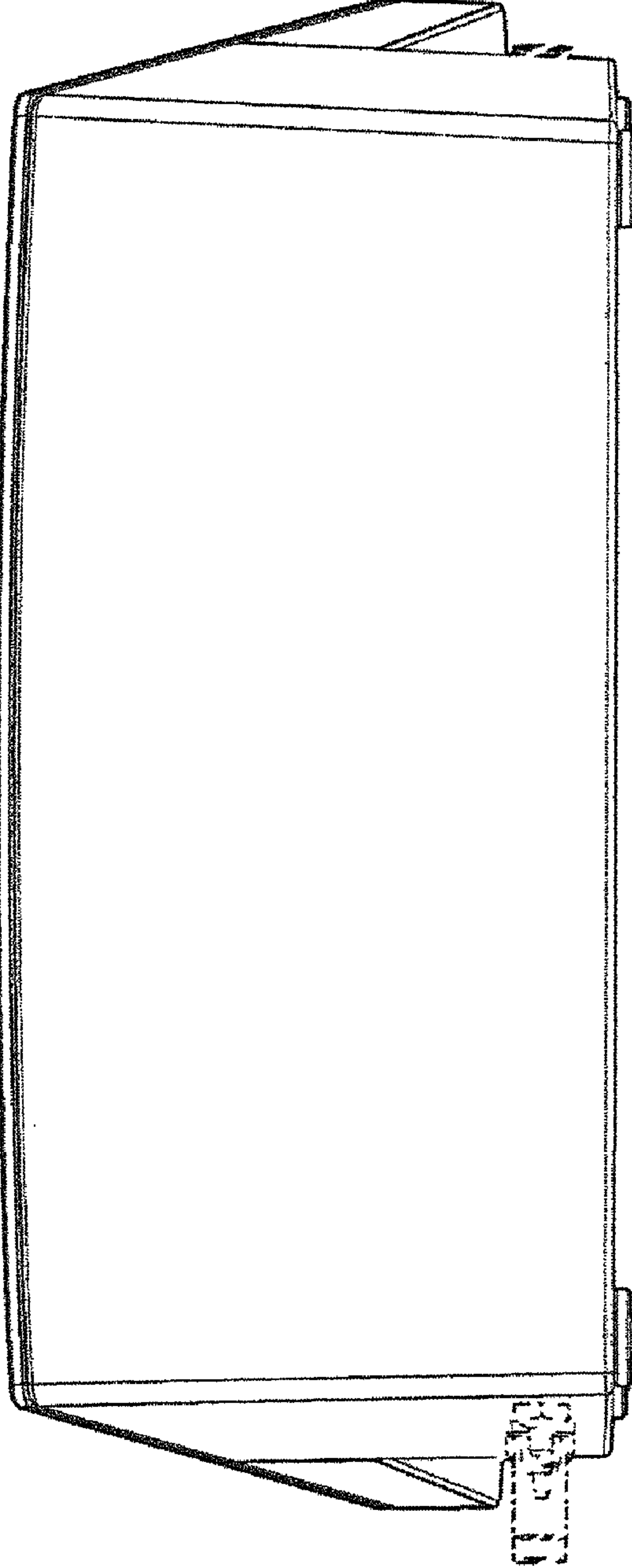


FIG. 4

FIG. 5

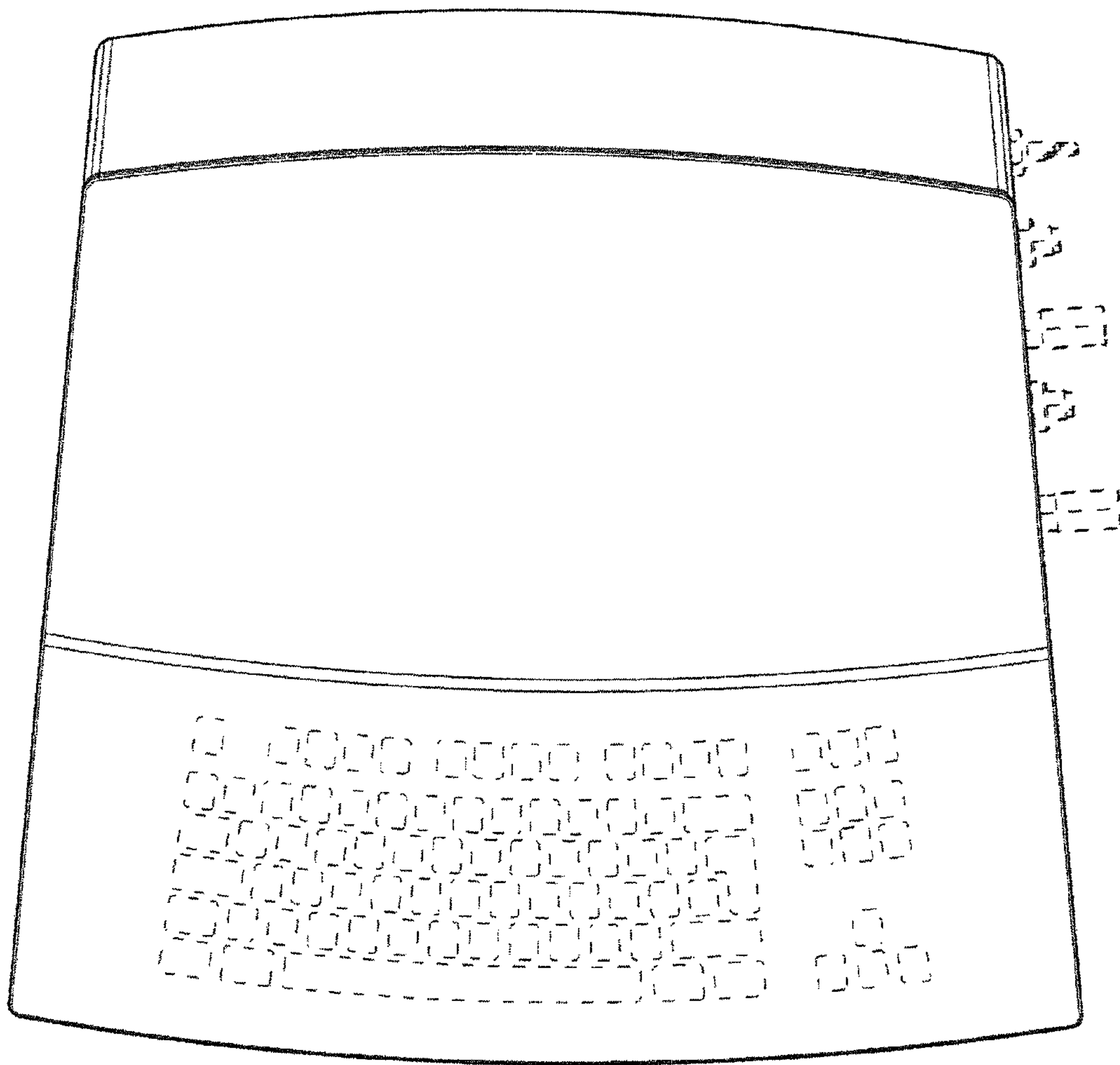
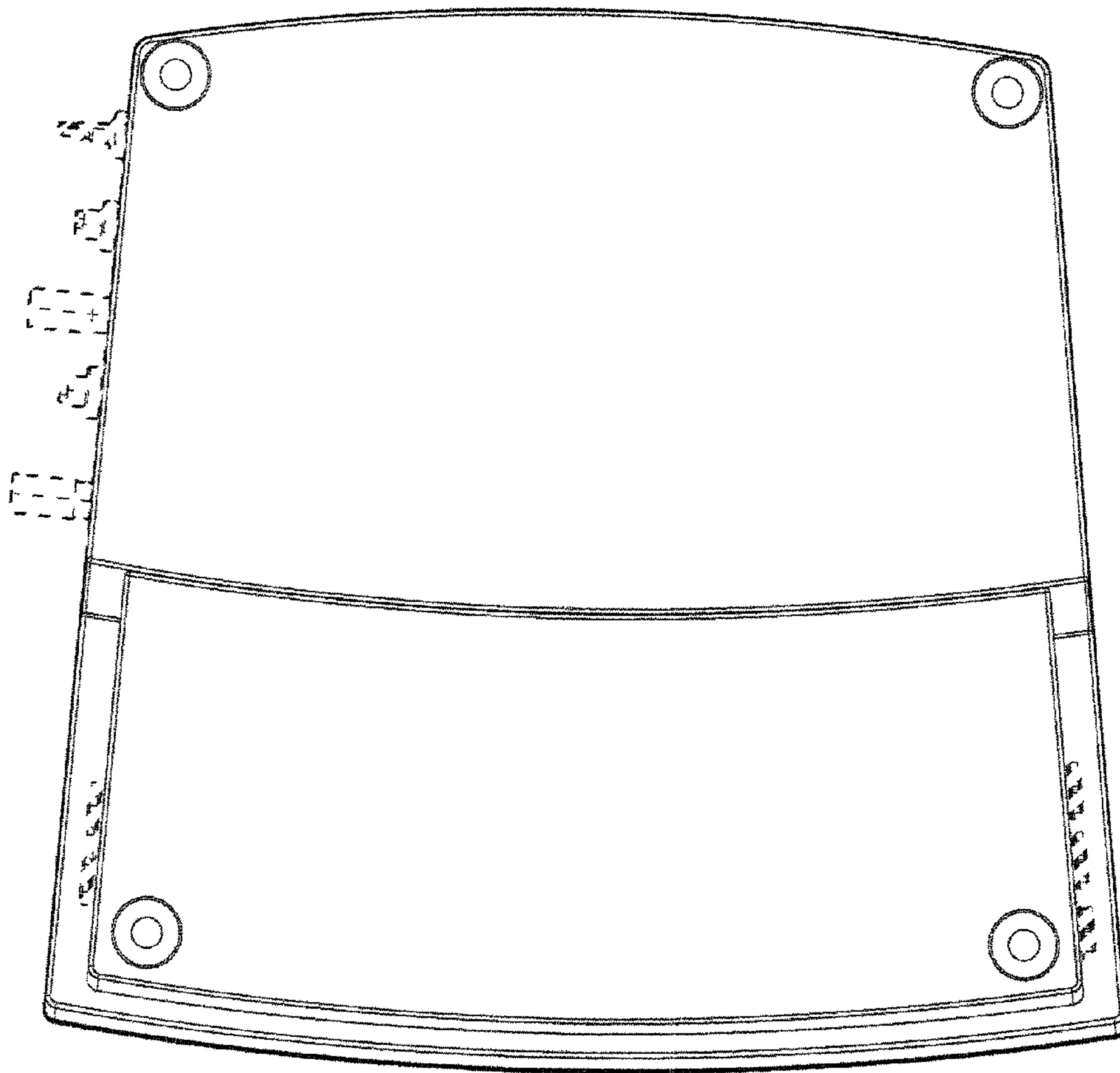


FIG. 6



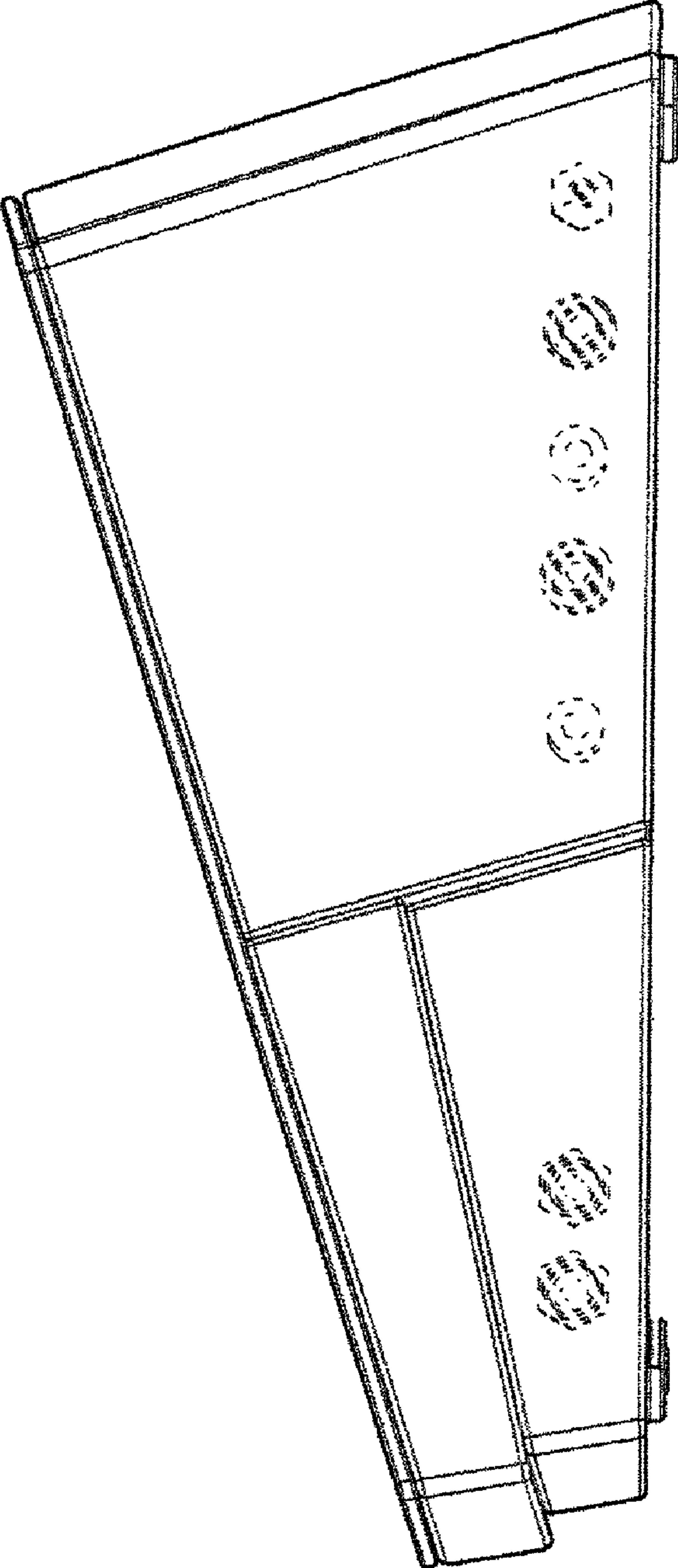


FIG. 7



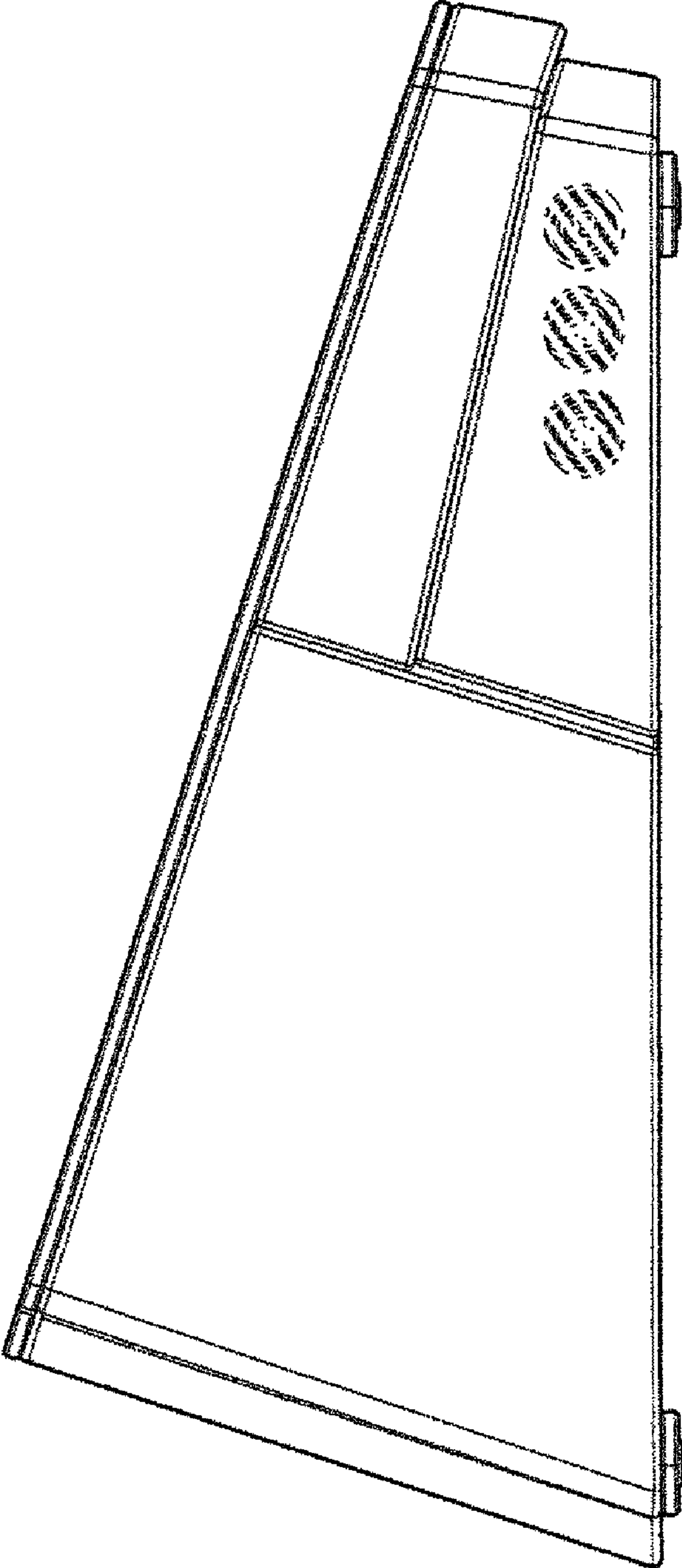


FIG. 8