



US00D672670S

(12) **United States Design Patent**
Mueller et al.

(10) **Patent No.:** **US D672,670 S**

(45) **Date of Patent:** **** Dec. 18, 2012**

(54) **CONTROL TERMINAL**

(75) Inventors: **Alexander Mueller**, Fuerth (DE);
Sebastian Maier, Fuerth (DE)

(73) Assignee: **Sartorius Weighing Technology GmbH**
(DE)

(**) Term: **14 Years**

(21) Appl. No.: **29/398,761**

(22) Filed: **Aug. 4, 2011**

(30) **Foreign Application Priority Data**

Feb. 7, 2011 (EM) 001817503-0005

(51) **LOC (9) Cl.** **10-04**

(52) **U.S. Cl.** **D10/94; D10/103**

(58) **Field of Classification Search** D10/88-91,
D10/94, 103; 177/25.13-25.18, 177-182,
177/211-214, 210 R, 210 C, 210 GM, 210 FP,
177/210 PP, 210 EM, 148, 236-245, DIG. 3
See application file for complete search history.

(56) **References Cited**

U.S. PATENT DOCUMENTS

D350,075 S * 8/1994 Reeder D10/94
7,256,357 B1 * 8/2007 Kesselman 177/25.15
D591,624 S * 5/2009 Taylor D10/91

D591,625 S * 5/2009 Taylor D10/91
D596,517 S * 7/2009 Kesselman D10/91
7,633,018 B2 * 12/2009 Leisinger et al. 177/25.13
8,106,314 B2 * 1/2012 Klauer 177/25.13

* cited by examiner

Primary Examiner — Antoine D Davis

(74) *Attorney, Agent, or Firm* — Gerald E. Hespos; Michael
J. Porco

(57) **CLAIM**

The ornamental design for a control terminal, as shown and
described.

DESCRIPTION

FIG. 1 is a front perspective view of a control terminal show-
ing the new design;
FIG. 2 is a rear perspective view thereof;
FIG. 3 is a front elevational view thereof;
FIG. 4 is a rear elevational view thereof;
FIG. 5 is a top plan view thereof;
FIG. 6 is a bottom plan view thereof;
FIG. 7 is a right side elevational view thereof; and,
FIG. 8 is a left side elevational view thereof.
The portion shown in dashed lines forms no part of the
claimed design.

1 Claim, 8 Drawing Sheets

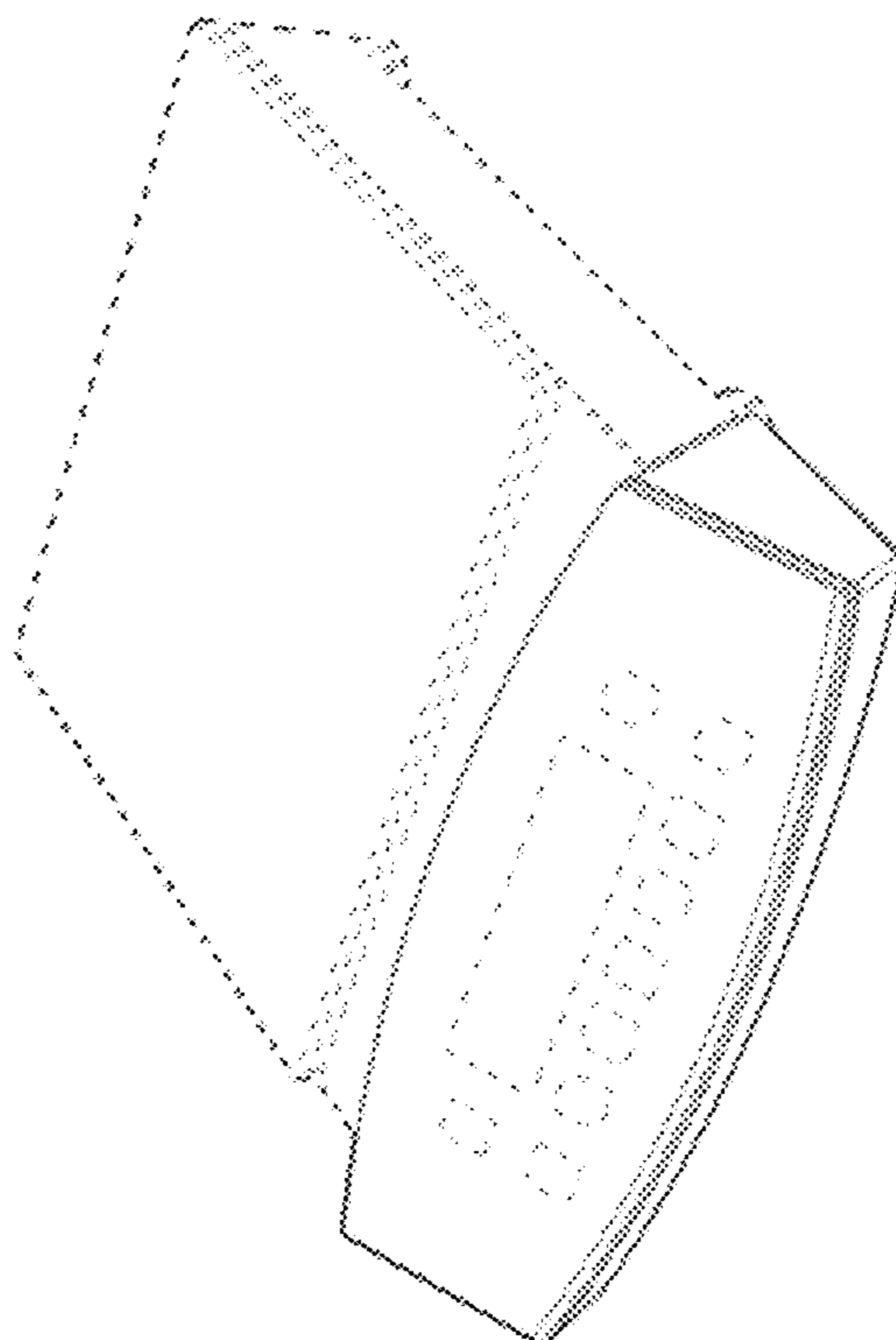


FIG. 1

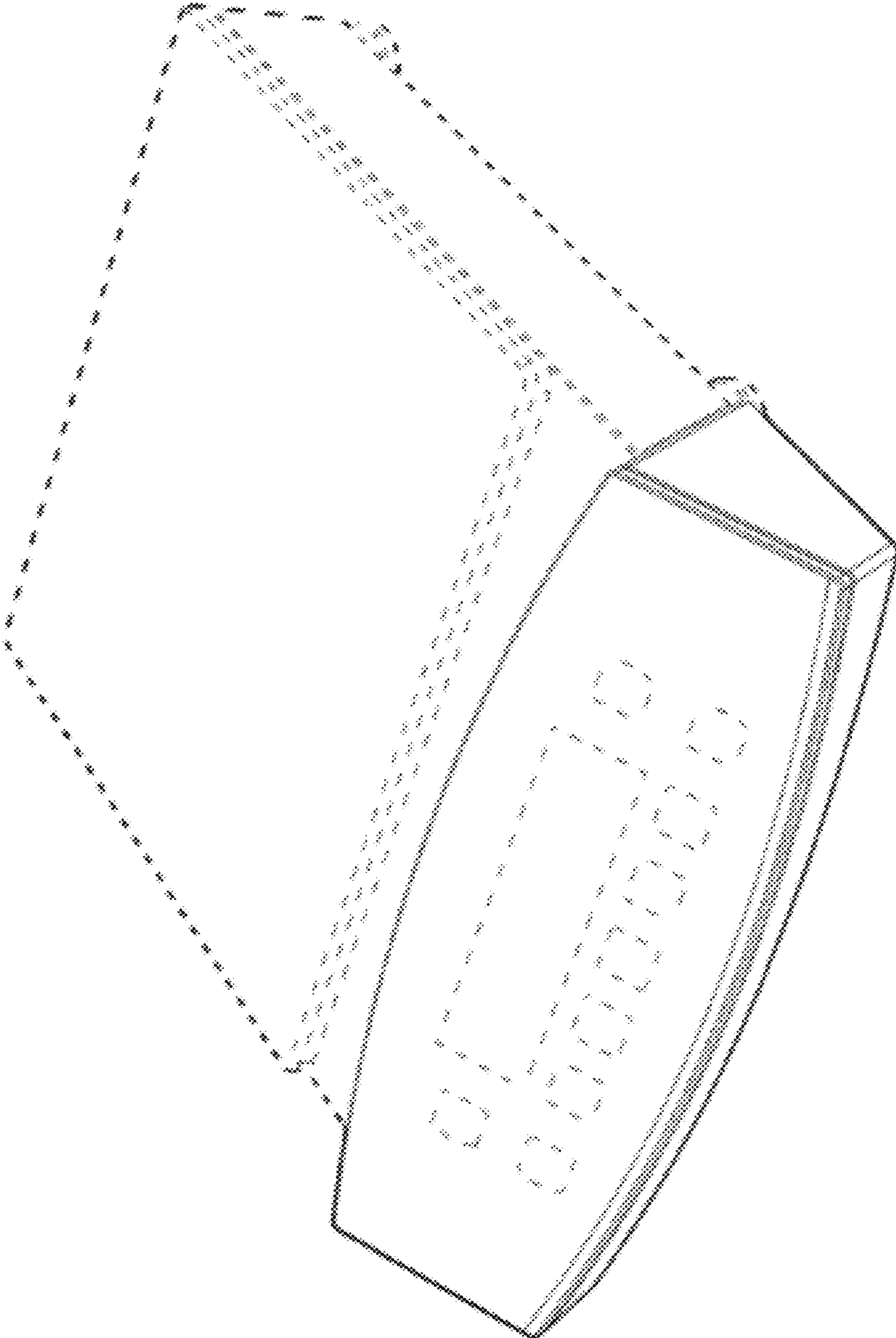


FIG. 2

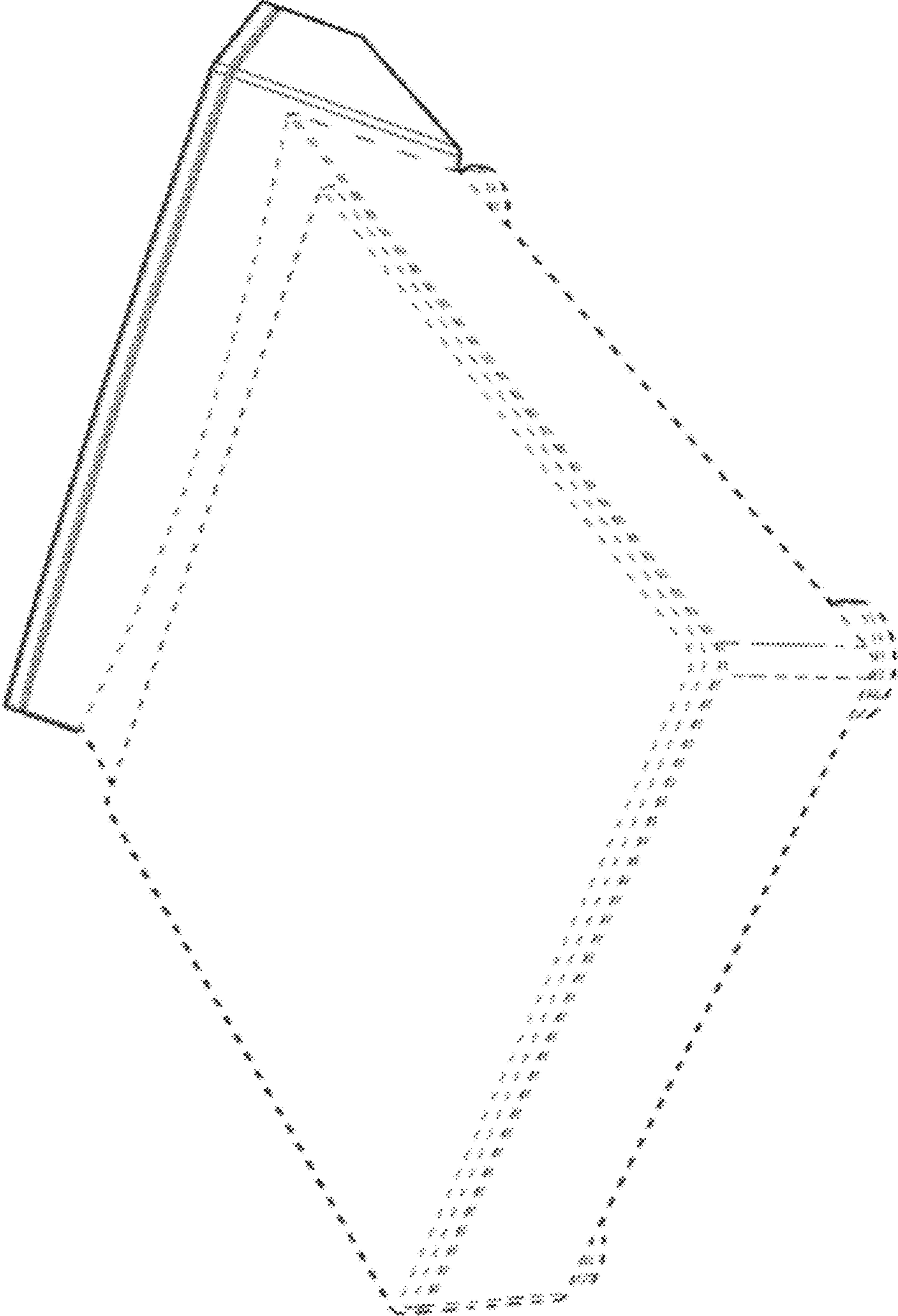


FIG. 3

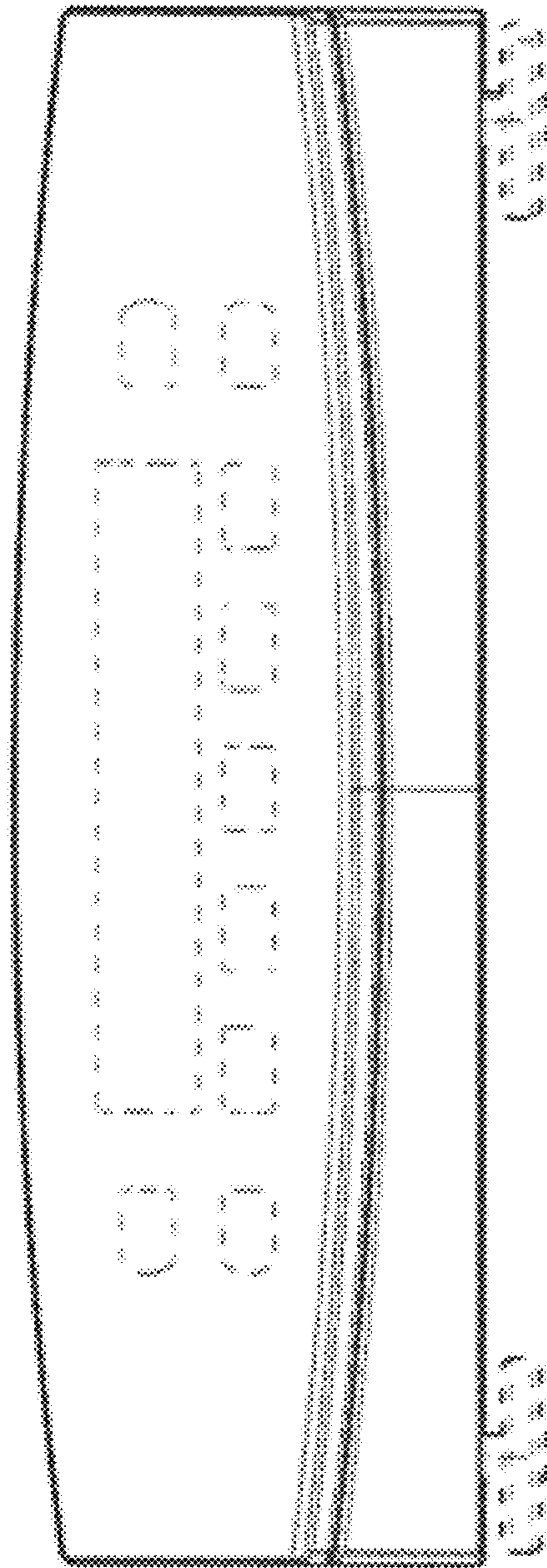


FIG. 4

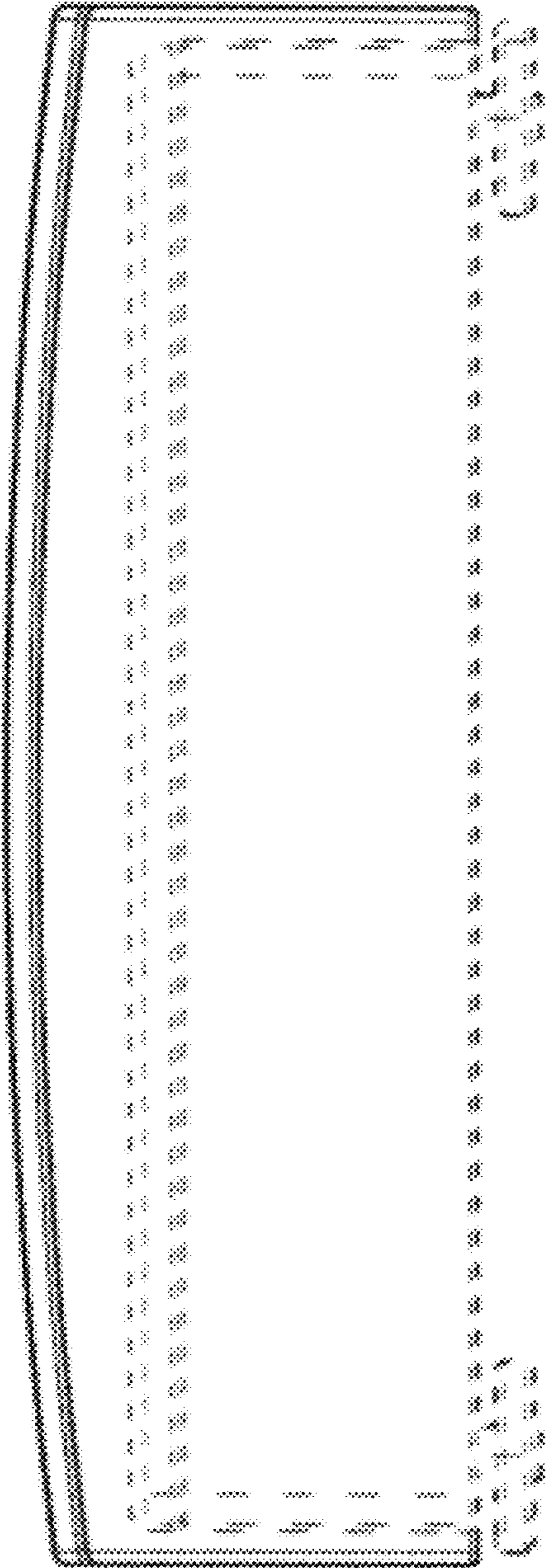


FIG. 5

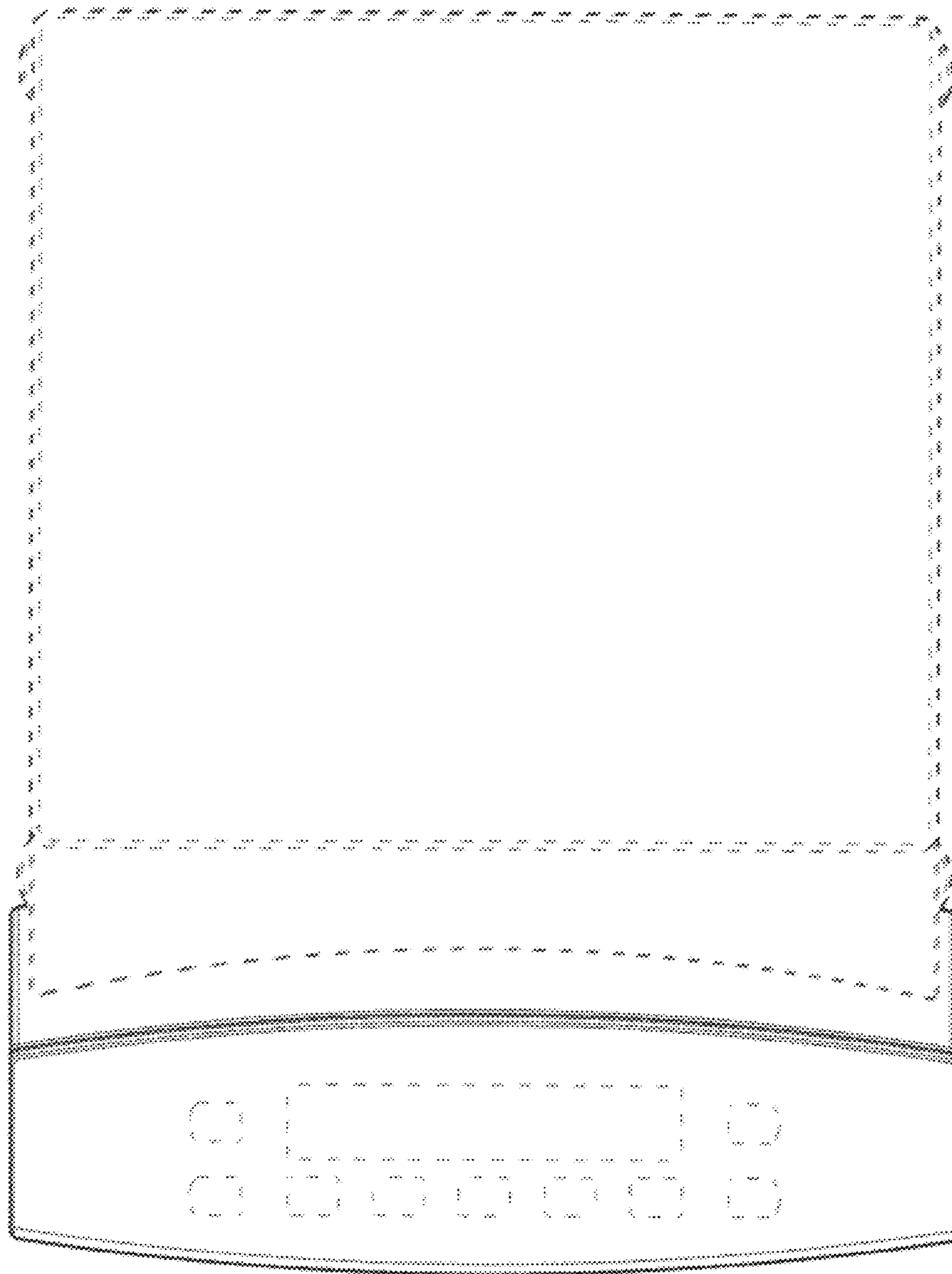


FIG. 6

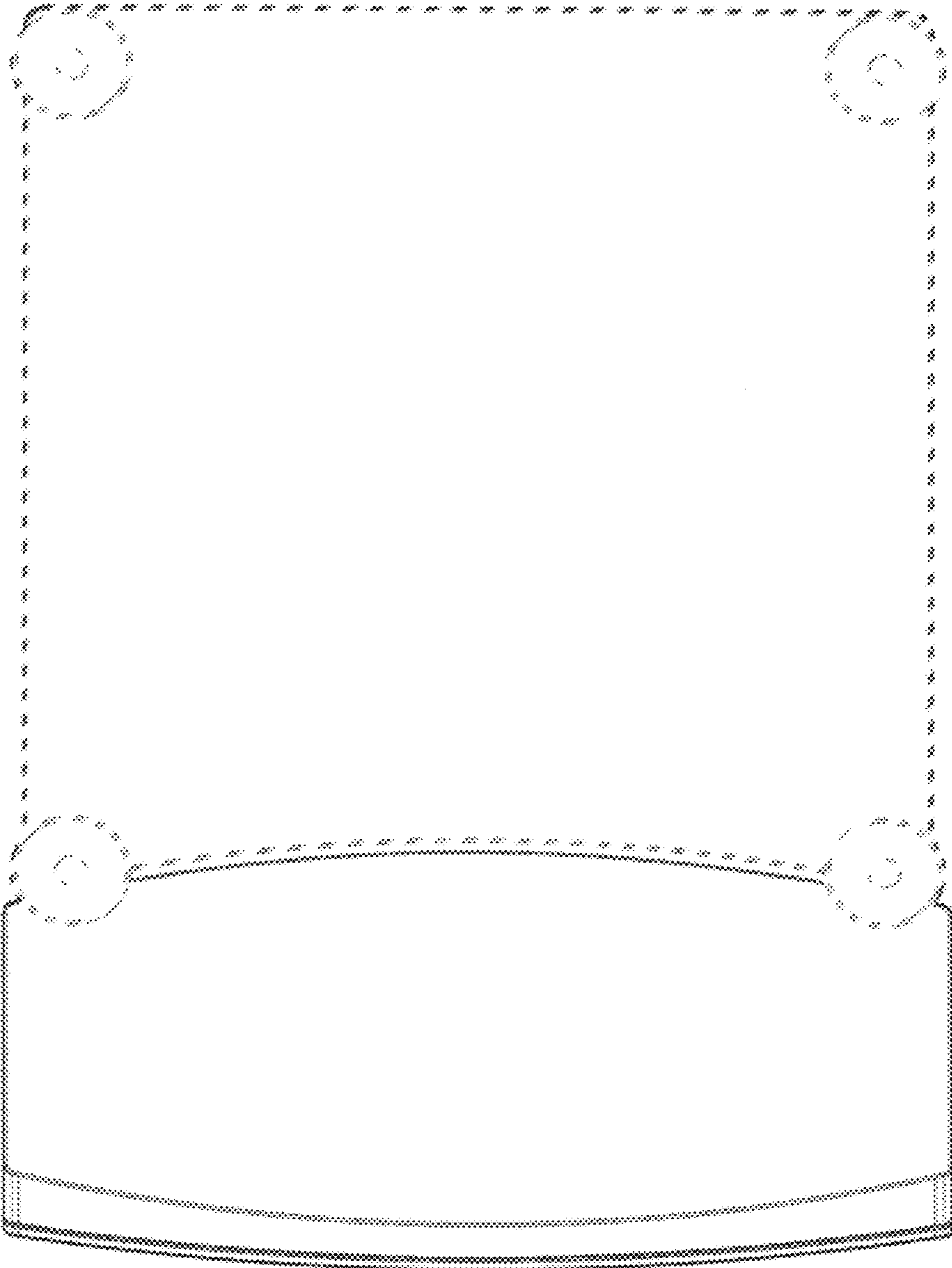


FIG. 7

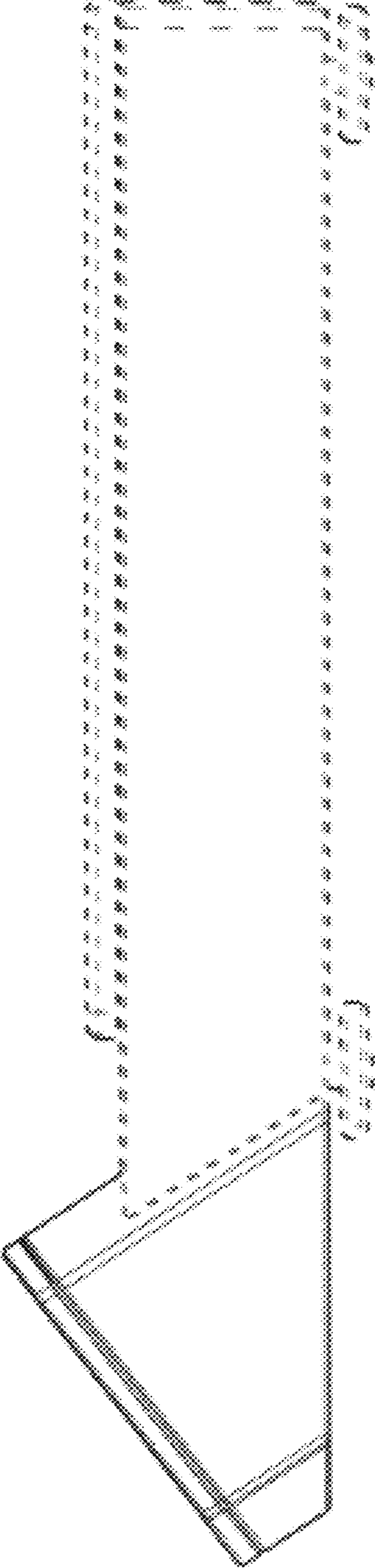


FIG. 8

