

US00D672665S

(12) **United States Design Patent**  
**Deleskiewicz et al.**

(10) **Patent No.:** **US D672,665 S**  
(45) **Date of Patent:** **\*\* Dec. 18, 2012**

(54) **WATCH CASE**

(75) Inventors: **Jean-Denis Deleskiewicz**, Joinville le Pont (FR); **Francis Cretin**, Bois-d'Amont (FR)

(73) Assignee: **Richemont International SA**, Villars-sur-Glane (CH)

(\*\*) Term: **14 Years**

(21) Appl. No.: **29/364,425**

(22) Filed: **Jun. 23, 2010**

(30) **Foreign Application Priority Data**

Dec. 23, 2009 (WO) ..... DM/072 842

(51) **LOC (9) Cl.** ..... **10-02**

(52) **U.S. Cl.** ..... **D10/38**

(58) **Field of Classification Search** ..... D10/30-39;  
368/276, 281, 282, 294, 295, 288, 289, 290,  
368/308, 319

See application file for complete search history.

(56) **References Cited**

**U.S. PATENT DOCUMENTS**

D195,421	S	*	6/1963	Huguenin	.....	D10/39
3,475,902	A	*	11/1969	Wessel	.....	368/10
D251,055	S	*	2/1979	Sulek	.....	D10/38
D415,043	S	*	10/1999	Fichter	.....	D10/39
D536,998	S	*	2/2007	Fujihara	.....	D10/38
D551,101	S	*	9/2007	Nataf	.....	D10/38

D574,733	S	*	8/2008	Blair	.....	D10/32
D574,736	S	*	8/2008	Actis-Datta	.....	D10/38
7,494,270	B2	*	2/2009	Hiranuma et al.	.....	368/288
D590,727	S	*	4/2009	Wei	.....	D10/38
D605,533	S	*	12/2009	Schoepfer	.....	D10/38
D618,565	S	*	6/2010	Dolce et al.	.....	D10/38
D621,284	S	*	8/2010	Cerrato	.....	D10/38
D624,443	S	*	9/2010	Cerrato	.....	D10/38
D640,145	S	*	6/2011	Goto	.....	D10/32
D645,766	S	*	9/2011	Bertucci	.....	D10/38

\* cited by examiner

*Primary Examiner* — Lucy Lieberman

(74) *Attorney, Agent, or Firm* — Young & Thompson

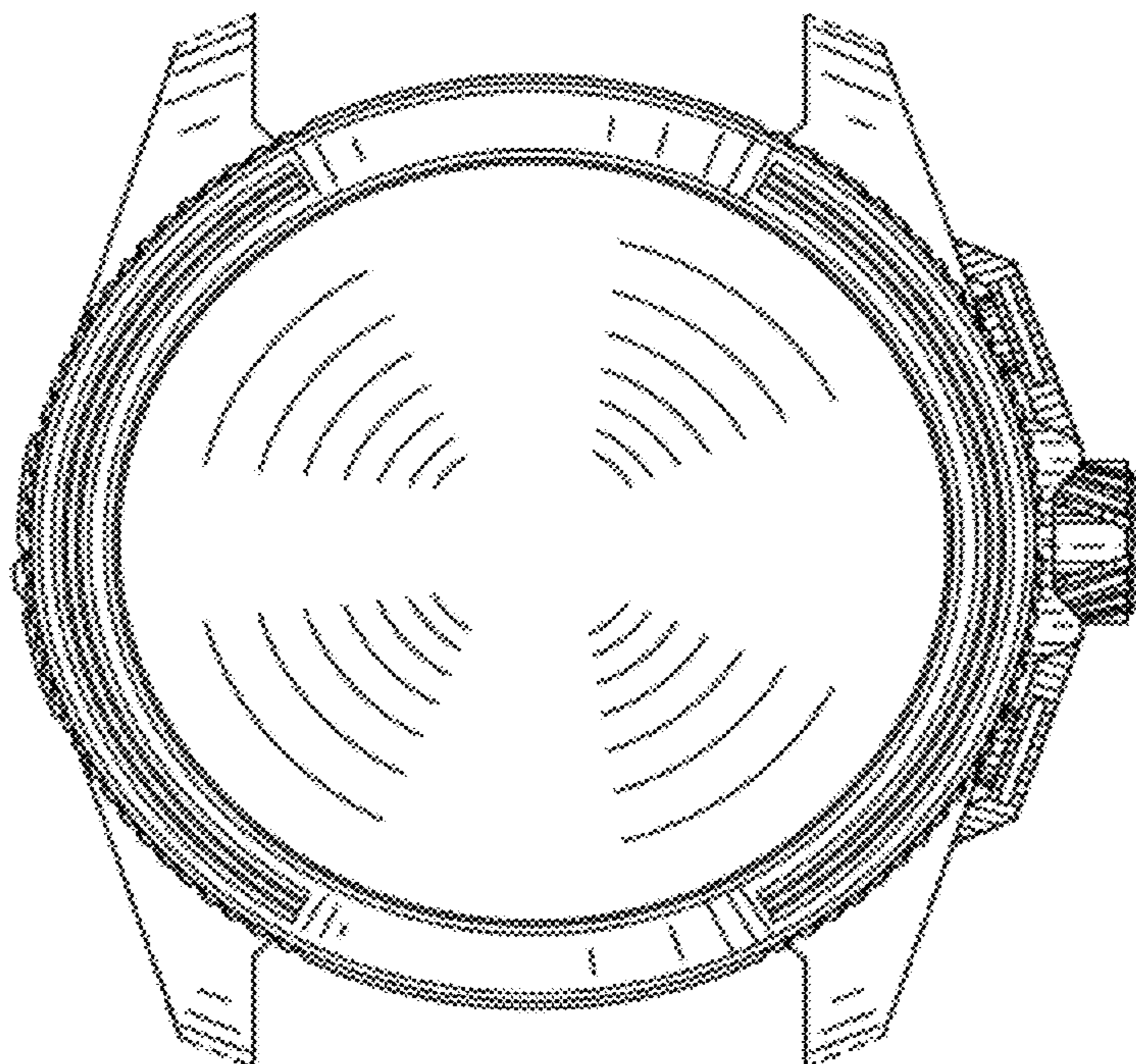
(57) **CLAIM**

The ornamental design for a watch case, as shown and described.

**DESCRIPTION**

FIG. 1 is a top view of the watch case.  
FIG. 2 is a bottom view of the watch case.  
FIG. 3 is a side view from the bottom of FIG. 1.  
FIG. 4 is a side view from the top of FIG. 1.  
FIG. 5 is a side view from the left of FIG. 1.  
FIG. 6 is a side view from the right of FIG. 1; and,  
FIG. 7 is a perspective view of the watch case.  
The broken line showing is for environmental purposes only and forms no part of the claimed design.

**1 Claim, 3 Drawing Sheets**



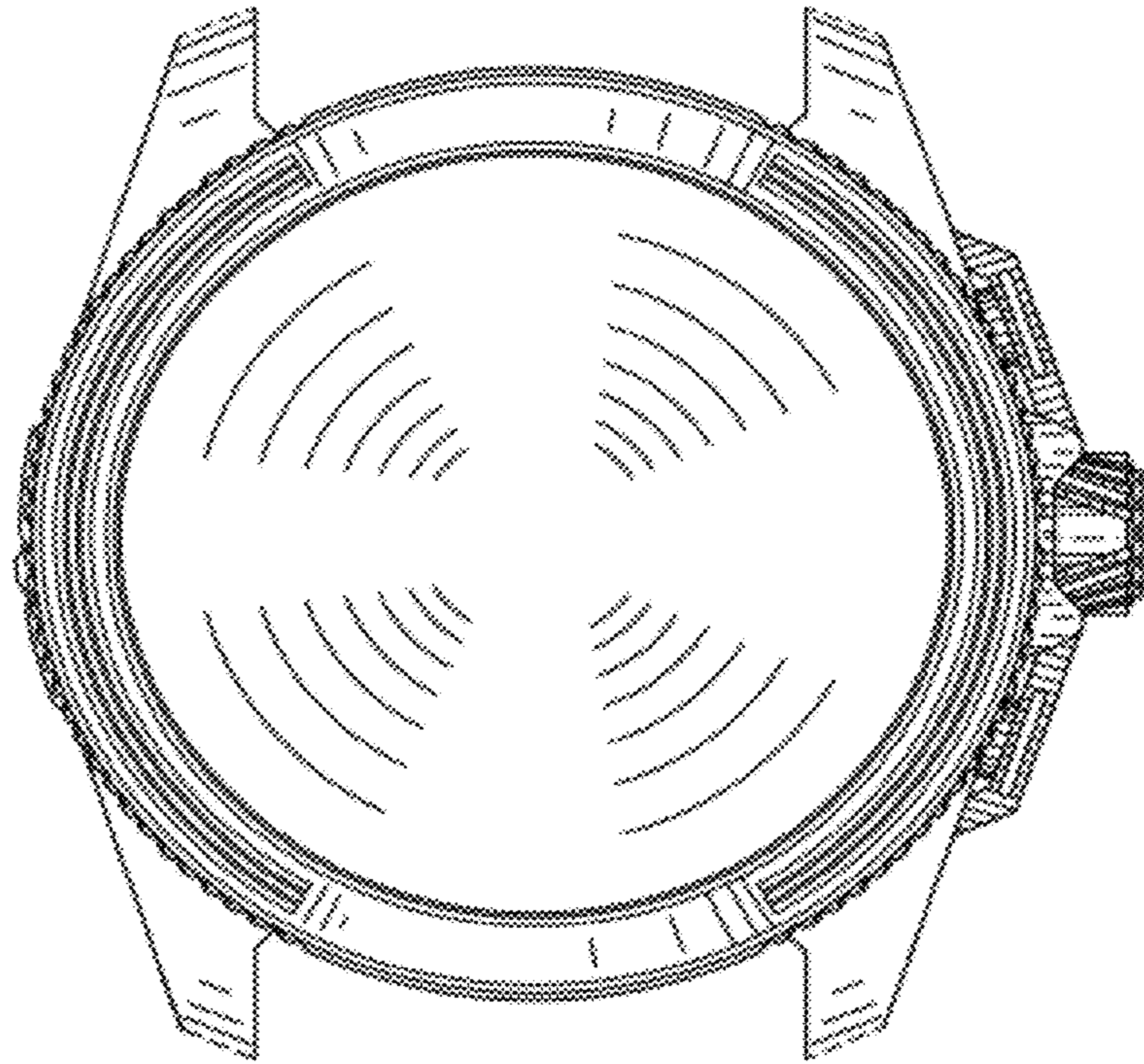


FIG. 1

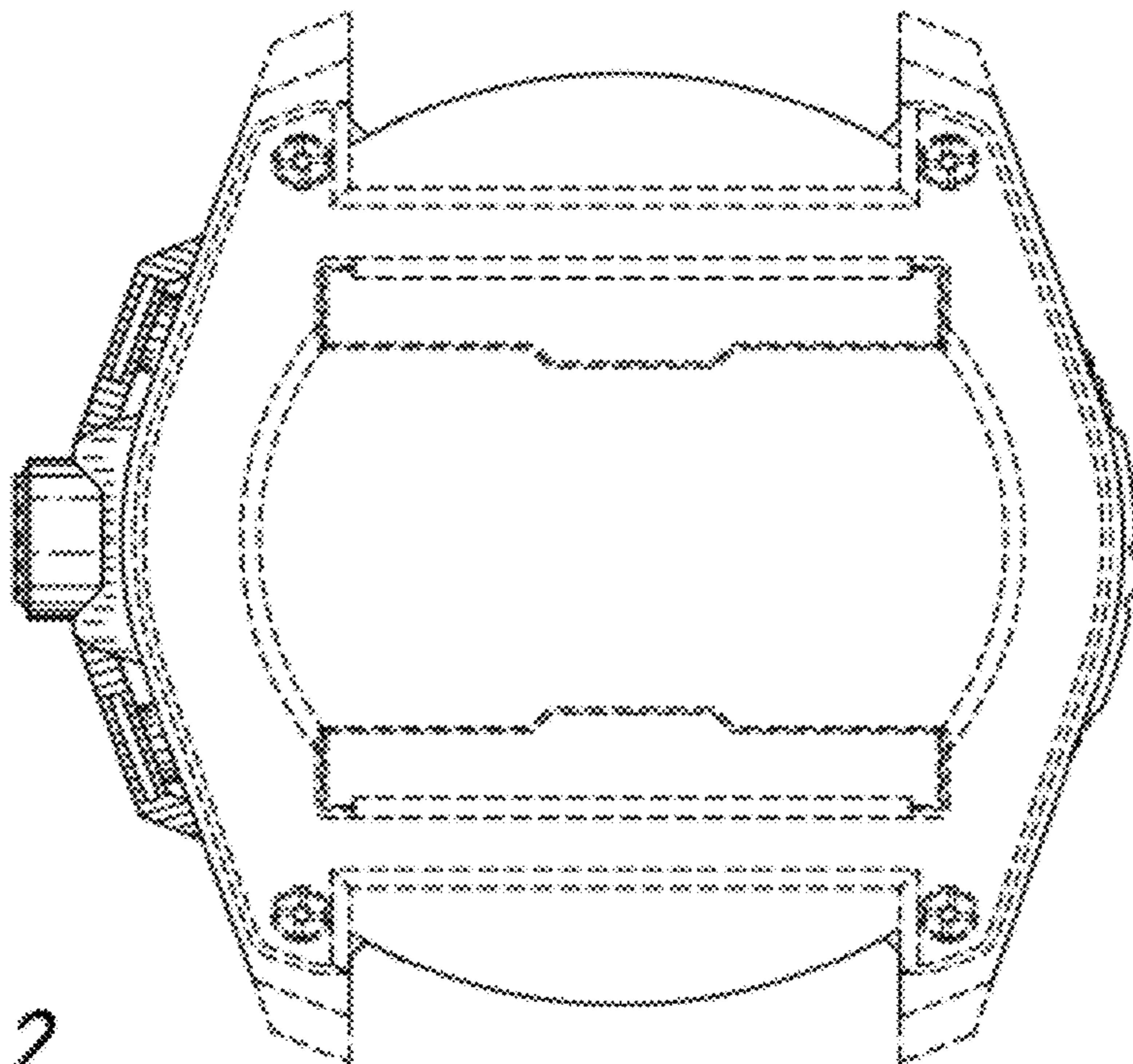


FIG. 2



FIG. 3

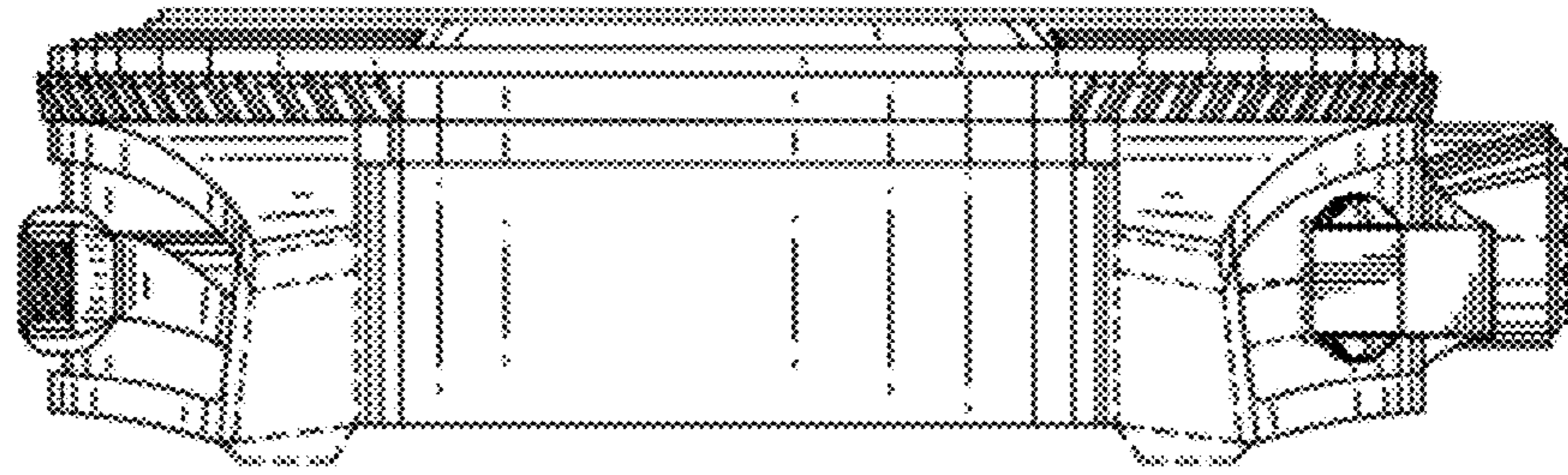


FIG. 4

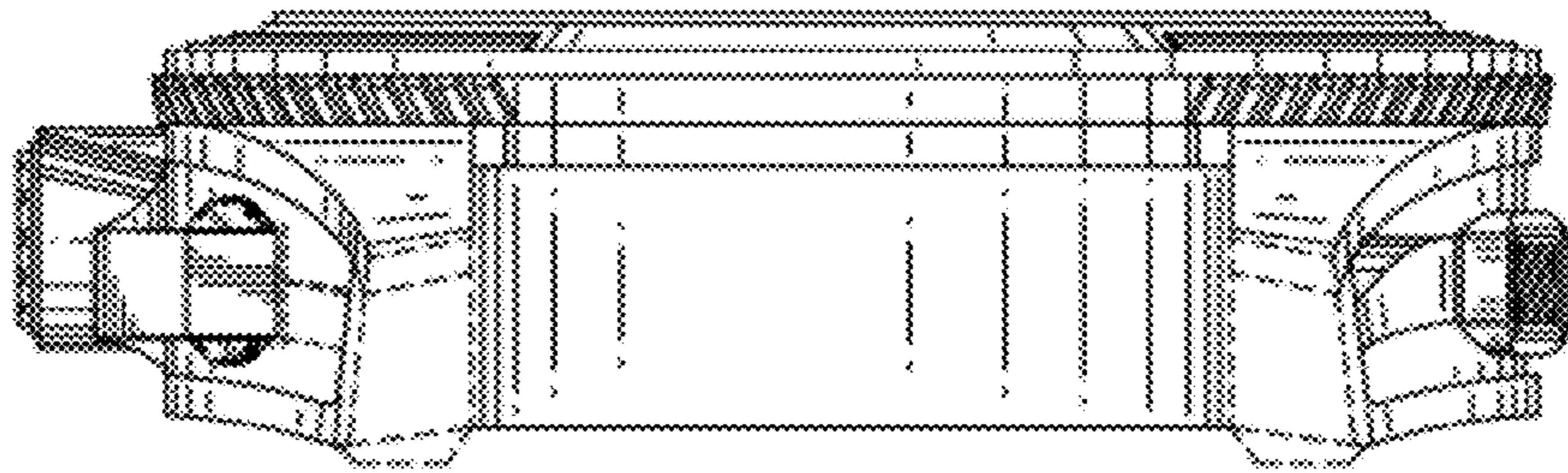


FIG. 5

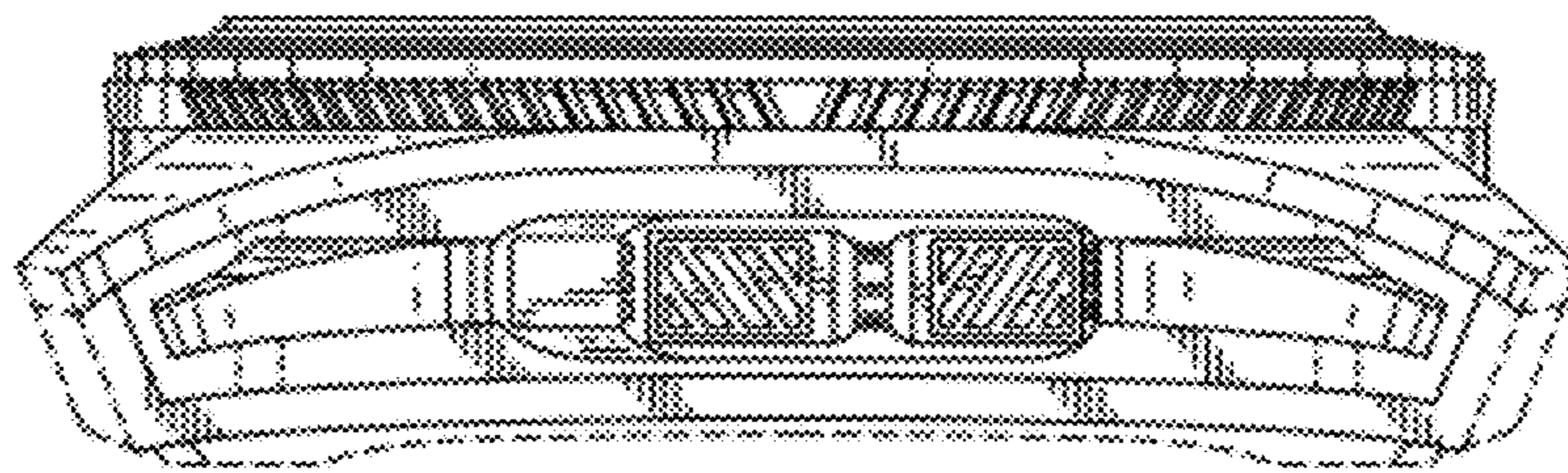
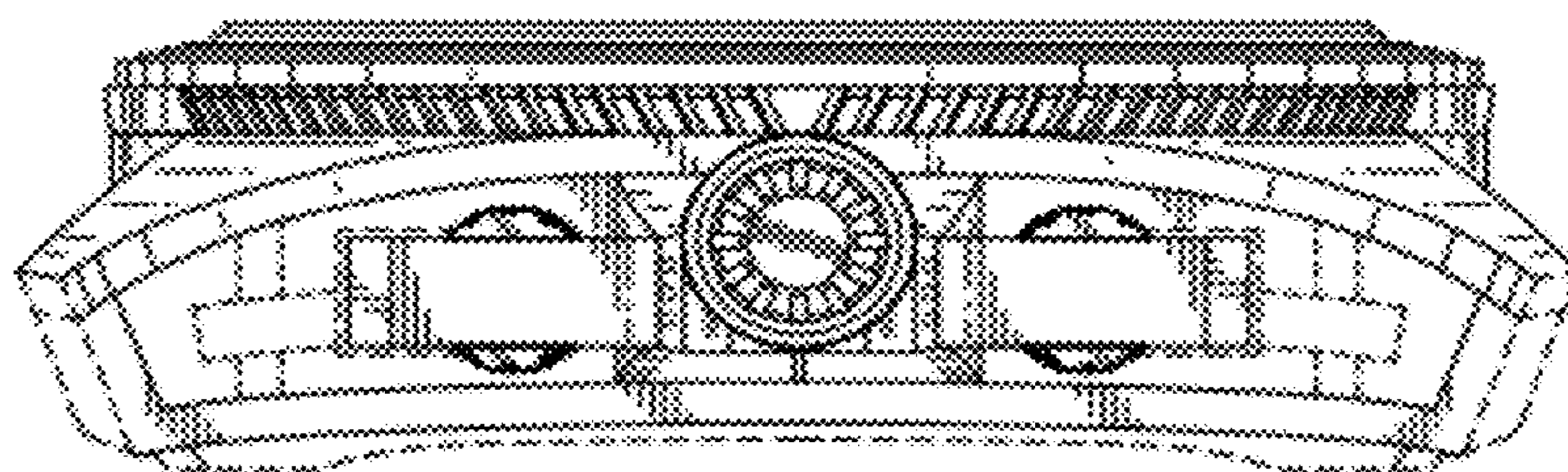


FIG. 6



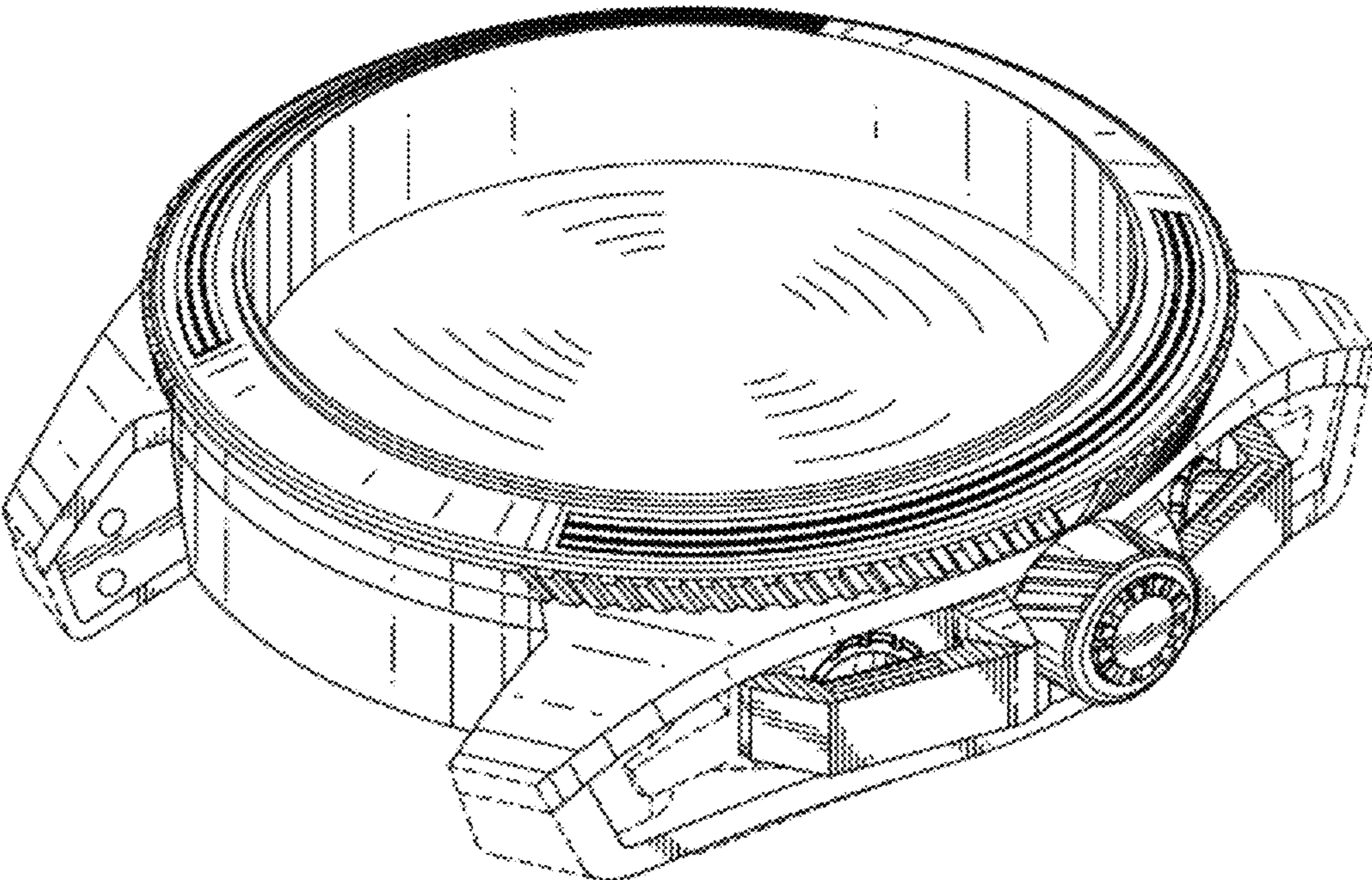


FIG. 7