

US00D672660S

(12) **United States Design Patent**  
**Vural**

(10) **Patent No.:** **US D672,660 S**

(45) **Date of Patent:** **\*\* Dec. 18, 2012**

(54) **PACKAGING WITH EARPHONES**

(75) Inventor: **Andreas Vural**, Stockholm (SE)

(73) Assignee: **Happy Plugs AB**, Stockholm (SE)

(\*\*) Term: **14 Years**

(21) Appl. No.: **29/414,752**

(22) Filed: **Mar. 2, 2012**

(30) **Foreign Application Priority Data**

Sep. 6, 2011 (EM) ..... 001912890

(51) **LOC (9) Cl.** ..... **09-03**

(52) **U.S. Cl.** ..... **D9/721**

(58) **Field of Classification Search** ..... D9/337,  
D9/414, 415, 418, 423, 424, 425, 426, 430,  
D9/432, 434, 455, 456, 457, 715, 721, 722,  
D9/737; 206/192, 199, 201, 203, 214, 216,  
206/223, 236, 239, 242, 248, 419, 432, 570,  
206/581, 820, 823; D14/205; 381/380

See application file for complete search history.

(56) **References Cited**

**U.S. PATENT DOCUMENTS**

D313,753 S \* 1/1991 Nagasaka ..... D9/415  
D493,335 S \* 7/2004 Armato ..... D7/629  
D506,744 S \* 6/2005 Andre et al. .... D14/205  
D554,109 S \* 10/2007 Ledbetter et al. .... D14/223  
D568,291 S \* 5/2008 Andre et al. .... D14/205  
D575,269 S \* 8/2008 Ledbetter et al. .... D14/205  
D587,677 S \* 3/2009 Andre et al. .... D14/205  
D589,491 S \* 3/2009 Andre et al. .... D14/205  
D590,371 S \* 4/2009 Leinvuo ..... D14/205

D604,605 S \* 11/2009 Chung et al. .... D9/432  
D624,316 S \* 9/2010 Ferber et al. .... D3/294  
2009/0285436 A1\* 11/2009 Lowry ..... 381/380  
2010/0104126 A1\* 4/2010 Greene ..... 381/384

**OTHER PUBLICATIONS**

“The Earphones Note” Design & Branding for Panasonic Stereo Earphones RP-HJE 130 by Scholz & Friends, Berlin, [Jun. 2010], [retrieved on Oct. 5, 2012]. Retrieved from, <<http://www.coloribus.com/adsarchive/design/panasonic-stereo-earphones-rp-hje-130-the-earphones-note-13745005/>>, p. 1.\*

\* cited by examiner

*Primary Examiner* — Stella Reid

*Assistant Examiner* — Lauren Calve

(74) *Attorney, Agent, or Firm* — Young & Thompson

(57) **CLAIM**

The ornamental design for packaging with earphones, as shown.

**DESCRIPTION**

FIG. 1 is a front, right side, and top perspective view of packaging with earphones showing the new design;

FIG. 2 is a front, left side, and bottom perspective view thereof;

FIG. 3 is a top plan view thereof;

FIG. 4 is a bottom plan view thereof;

FIG. 5 is a rear elevation view thereof;

FIG. 6 is a front elevation view thereof;

FIG. 7 is a right side elevation view thereof; and,

FIG. 8 is a left side elevation view thereof.

**1 Claim, 8 Drawing Sheets**





Fig. 1

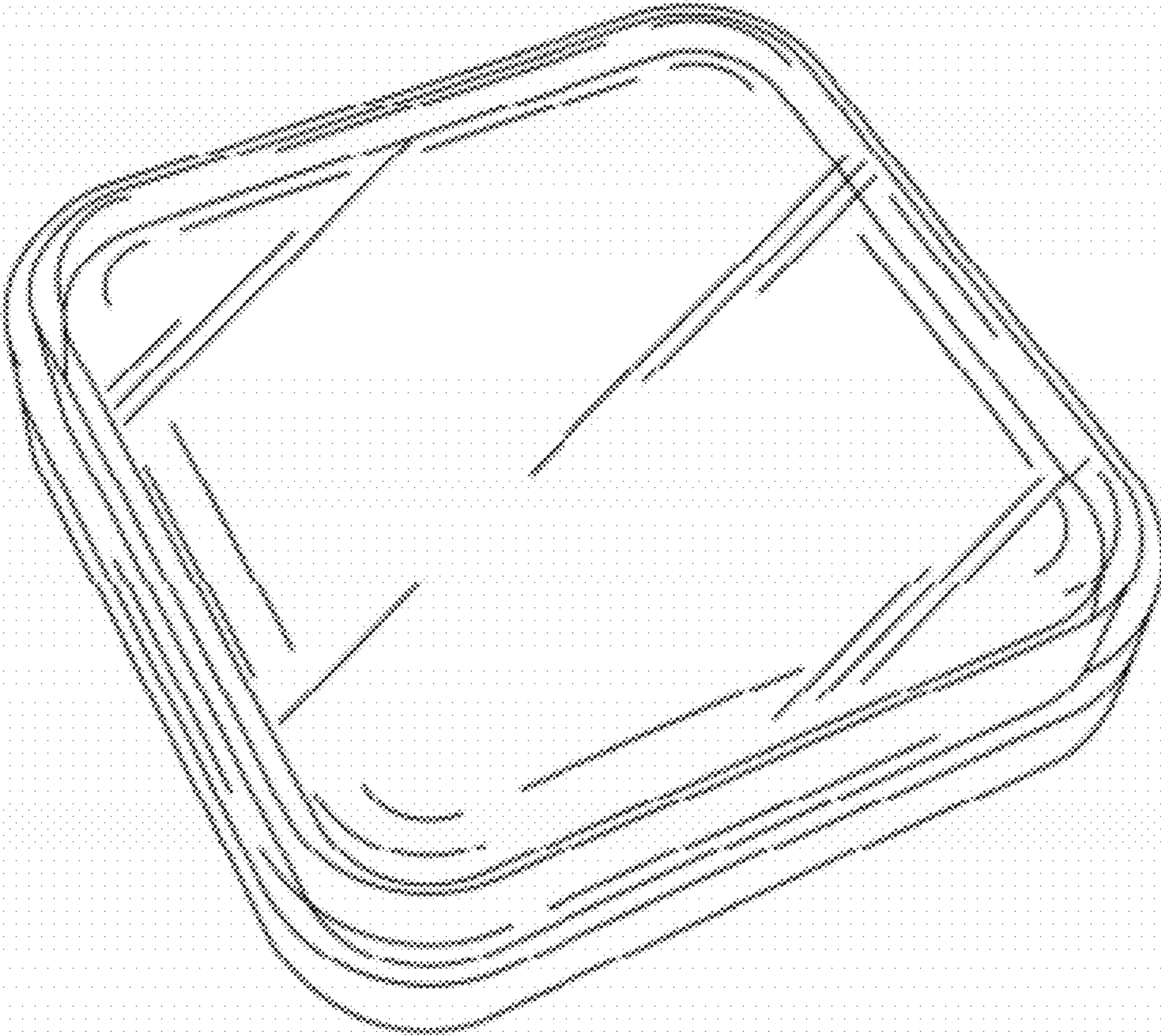


Fig. 2



Fig. 3

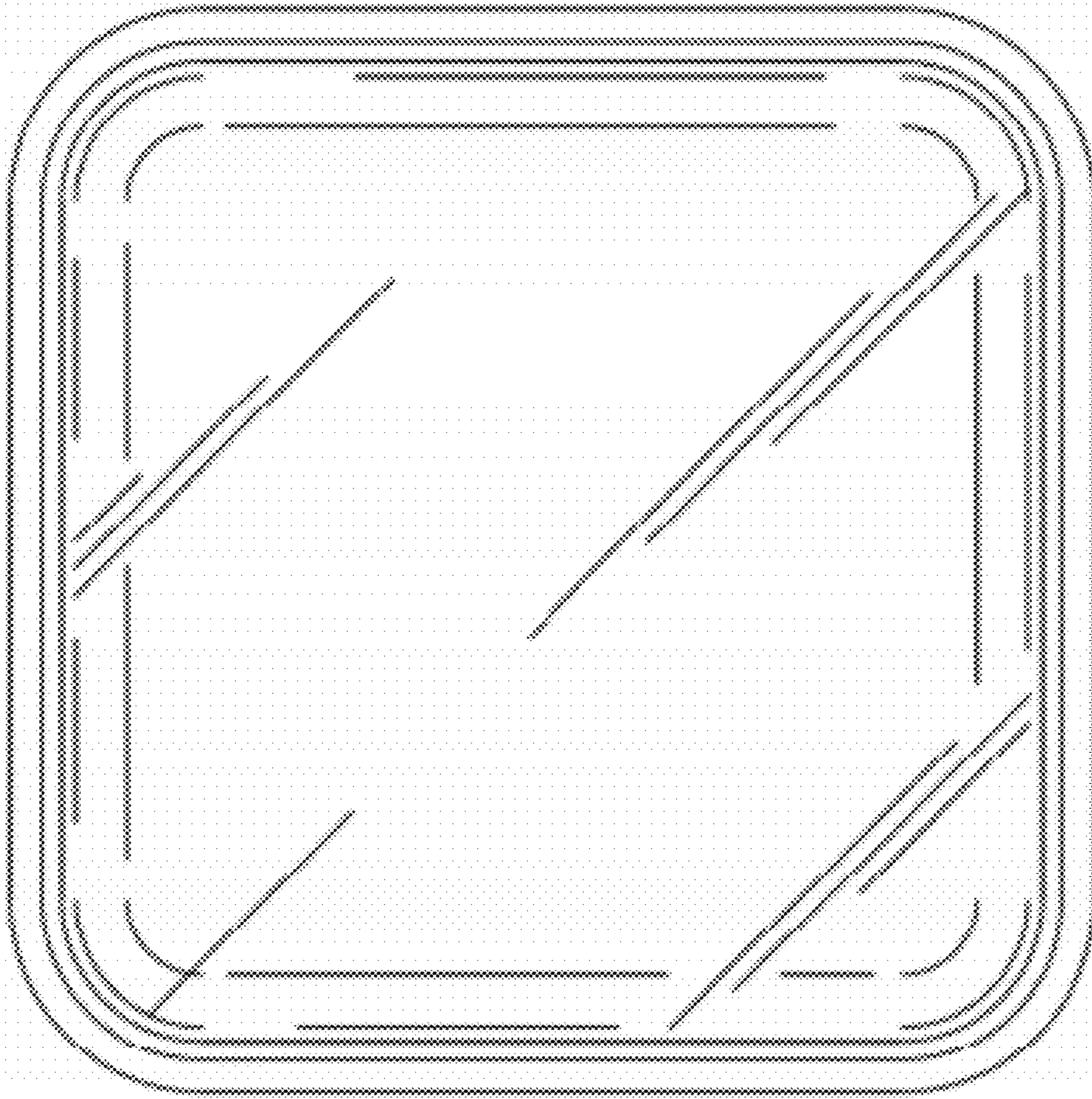


Fig. 4

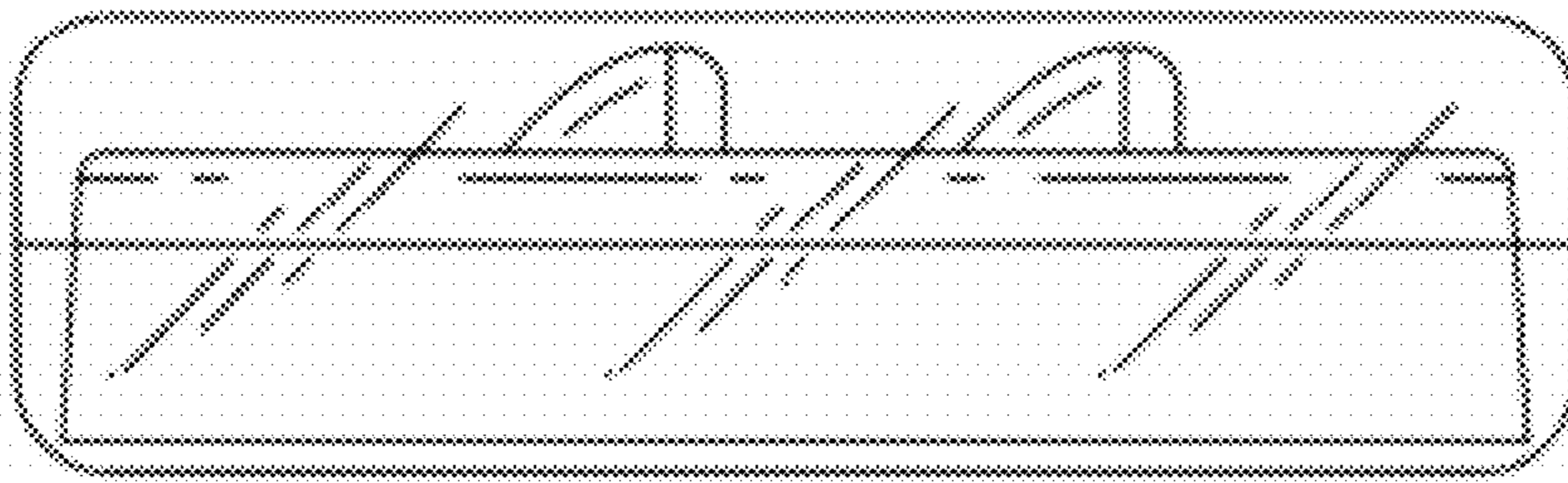


Fig. 5

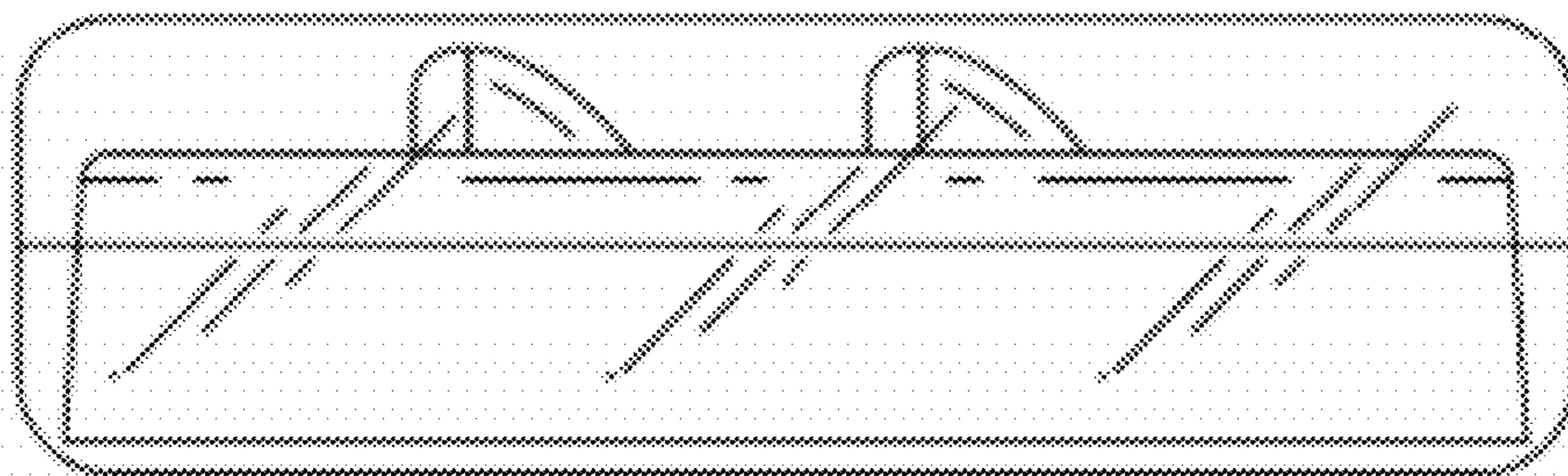


Fig. 6

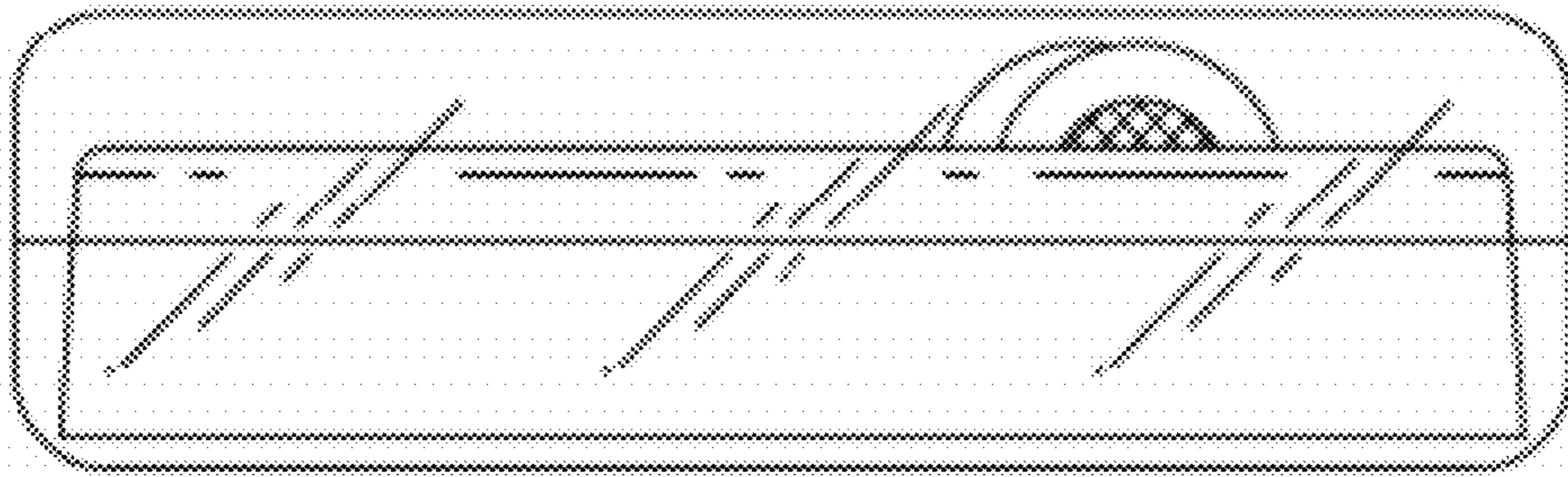


Fig. 7



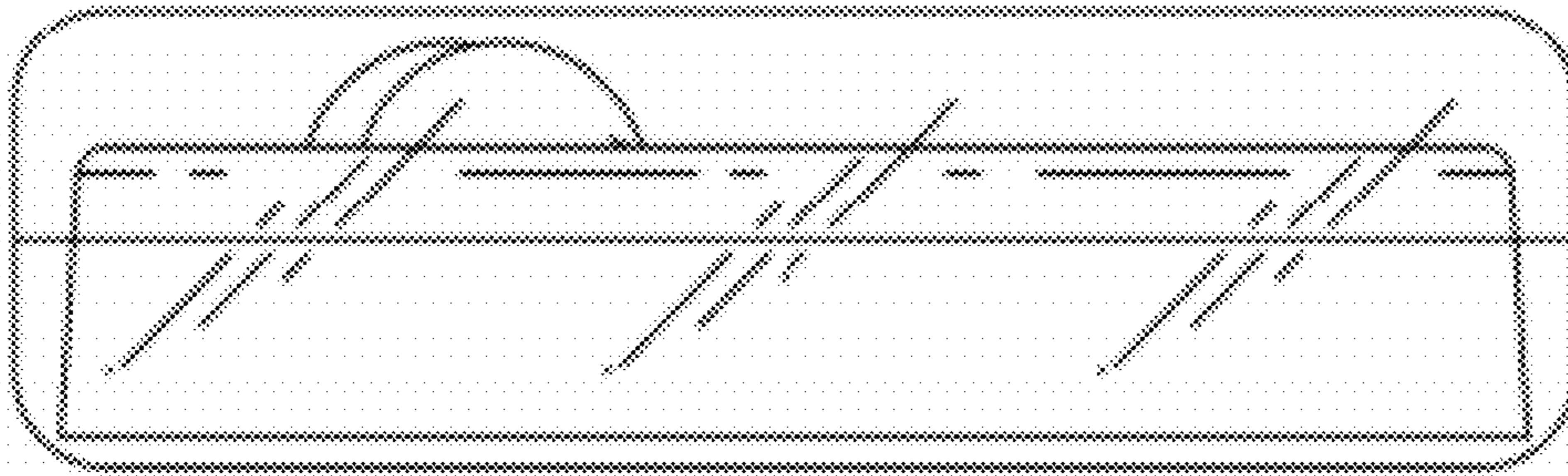


Fig. 8