



US00D672657S

(12) **United States Design Patent**  
**Hall**

(10) **Patent No.:** **US D672,657 S**

(45) **Date of Patent:** **\*\* Dec. 18, 2012**

(54) **POURABLE PRODUCT CONTAINER**

(75) Inventor: **Charles E. Hall**, Wentzville, MO (US)

(73) Assignee: **Buddeez, Inc.**, Wentzville, MO (US)

(\*\*) Term: **14 Years**

(21) Appl. No.: **29/420,538**

(22) Filed: **May 10, 2012**

(51) **LOC (9) Cl.** ..... **09-01**

(52) **U.S. Cl.** ..... **D9/531**; D9/520; D9/560; D9/565;  
D9/569

(58) **Field of Classification Search** ..... D9/434,  
D9/435, 516, 520, 530, 531, 541, 542, 559,  
D9/560, 569, 571, 574, 738, 743, 745; 215/381-385;  
220/660, 662, 675

See application file for complete search history.

(56) **References Cited**

**U.S. PATENT DOCUMENTS**

3,369,658	A	2/1968	Hasselmann	
D262,518	S *	1/1982	Cottrell	D9/520
D264,942	S	6/1982	Schieser et al.	
4,805,793	A	2/1989	Brandt et al.	
D309,260	S *	7/1990	Conrad	D9/528
5,002,199	A	3/1991	Frahm	
D333,978	S	3/1993	Zutler	
5,779,051	A	7/1998	Boutin	
5,927,499	A	7/1999	Vesborg	
D466,413	S	12/2002	Justice	
6,588,612	B1	7/2003	Dorn et al.	
D482,973	S	12/2003	Nottingham et al.	
6,932,228	B1	8/2005	Darr et al.	
D515,940	S	2/2006	Kratko	
D527,648	S	9/2006	Darr et al.	
D530,212	S	10/2006	Darr et al.	
D532,694	S	11/2006	Darr et al.	

D542,136	S *	5/2007	Lilico	D9/520
D573,475	S *	7/2008	Nottingham et al.	D9/531
D581,271	S	11/2008	Laupie	
D613,177	S *	4/2010	Lee	D9/560
7,699,171	B2	4/2010	Rivera et al.	
D635,031	S *	3/2011	Themann	D9/544
8,065,857	B2	11/2011	Rivera et al.	
D658,503	S *	5/2012	Mather	D9/692
D659,541	S *	5/2012	Wycoff	D9/528
2010/0326872	A1	12/2010	Rivera et al.	

\* cited by examiner

*Primary Examiner* — Keli L Hill

(74) *Attorney, Agent, or Firm* — Joseph M. Rolnicki; Evans & Dixon, LLC

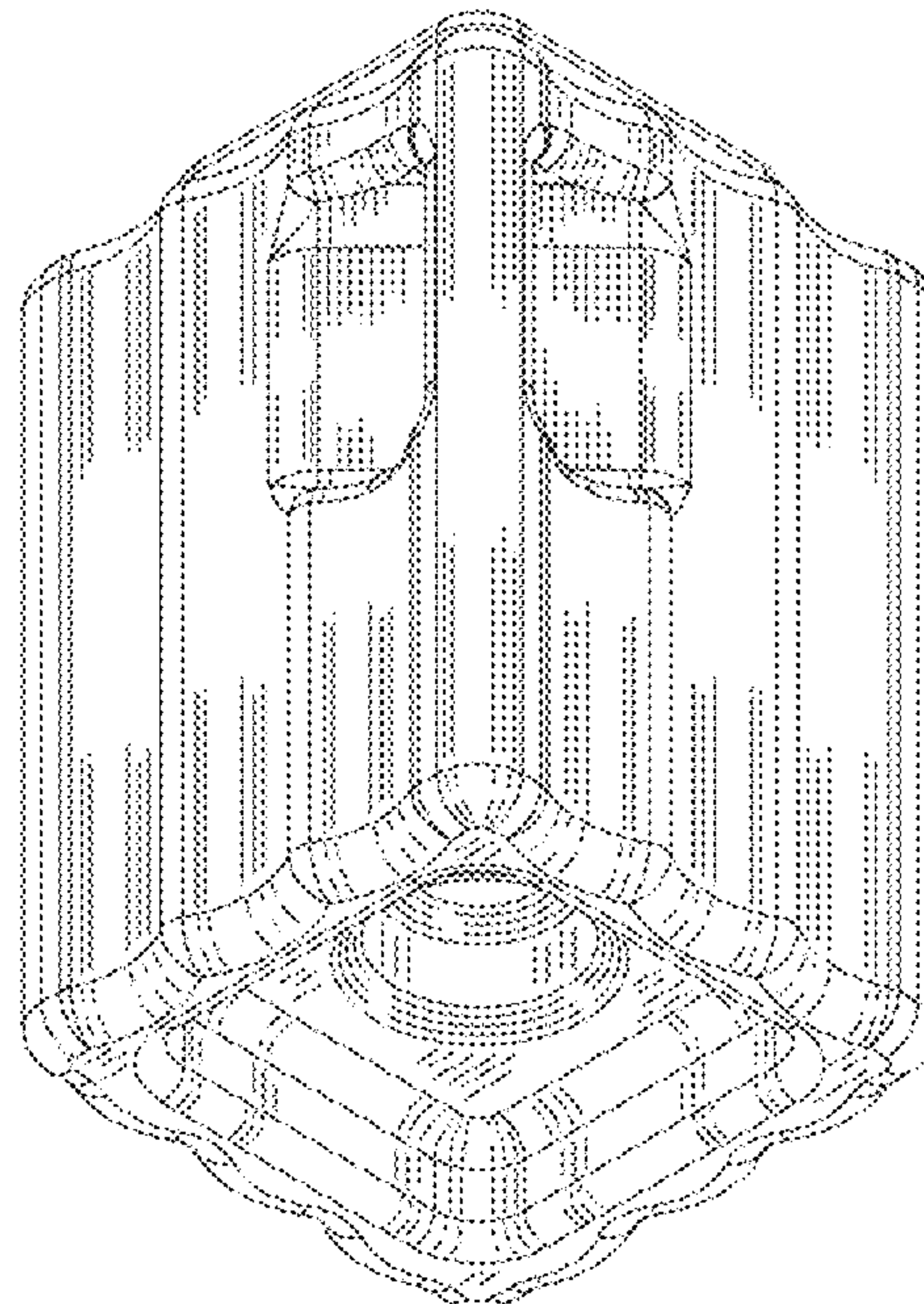
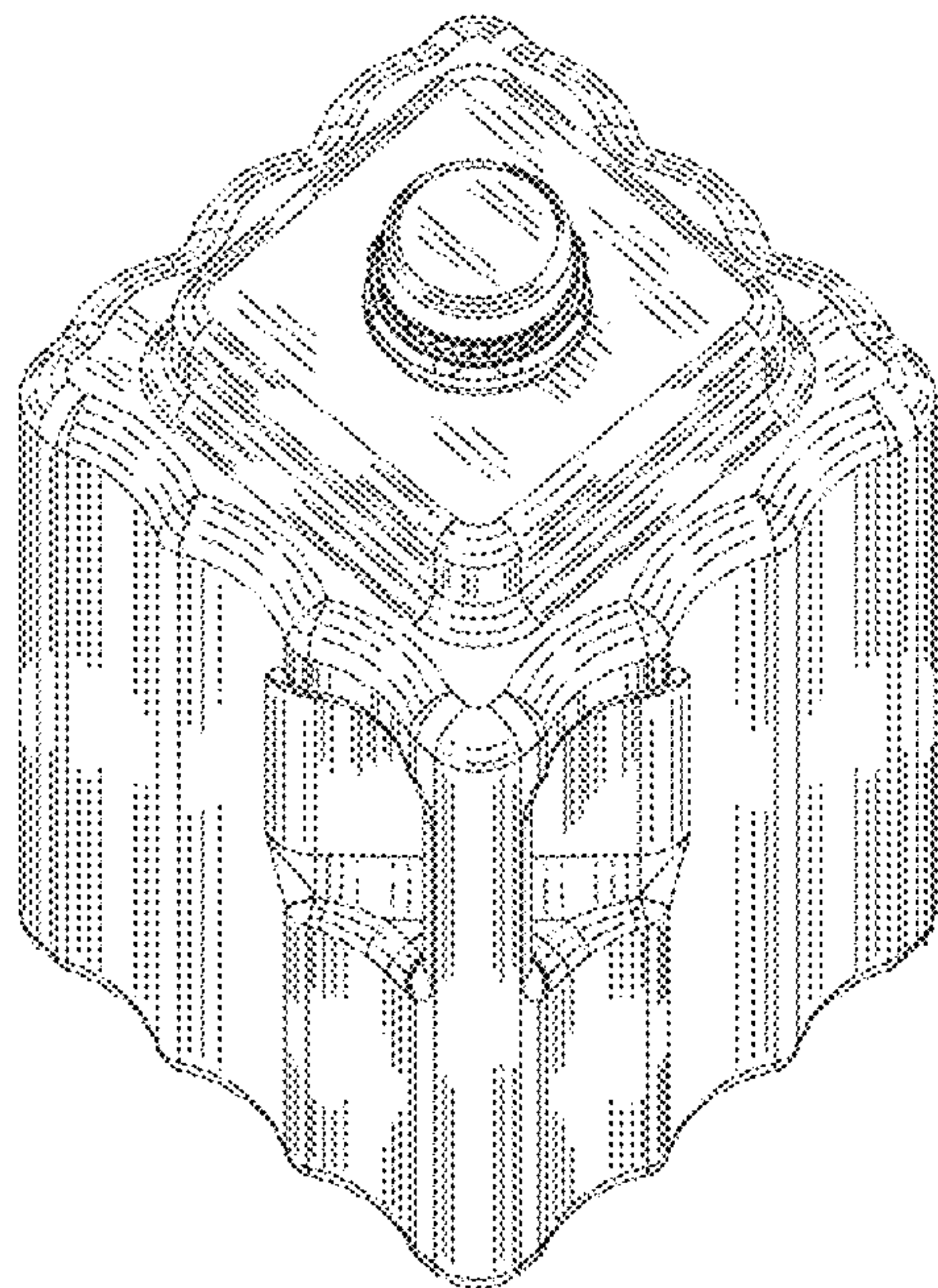
(57) **CLAIM**

The ornamental design for a pourable product container, as shown and described.

**DESCRIPTION**

FIG. 1 is a top perspective view of a pourable product container, embodying my new design;  
 FIG. 2 is a bottom perspective view thereof;  
 FIG. 3 is a top perspective view thereof, shown rotated 90 degrees to the right of FIG. 1;  
 FIG. 4 is another top perspective view thereof, shown rotated 90 degrees to the right of FIG. 3;  
 FIG. 5 is a right side elevation view of the container as shown in FIG. 1, the left side elevation view of FIG. 1 being a mirror image thereto;  
 FIG. 6 is a right side elevation view of the container as shown in FIG. 4, the left side elevation view of FIG. 4 being a mirror image thereto;  
 FIG. 7 is a top plan view thereof; and,  
 FIG. 8 is a bottom plan view thereof.

**1 Claim, 8 Drawing Sheets**





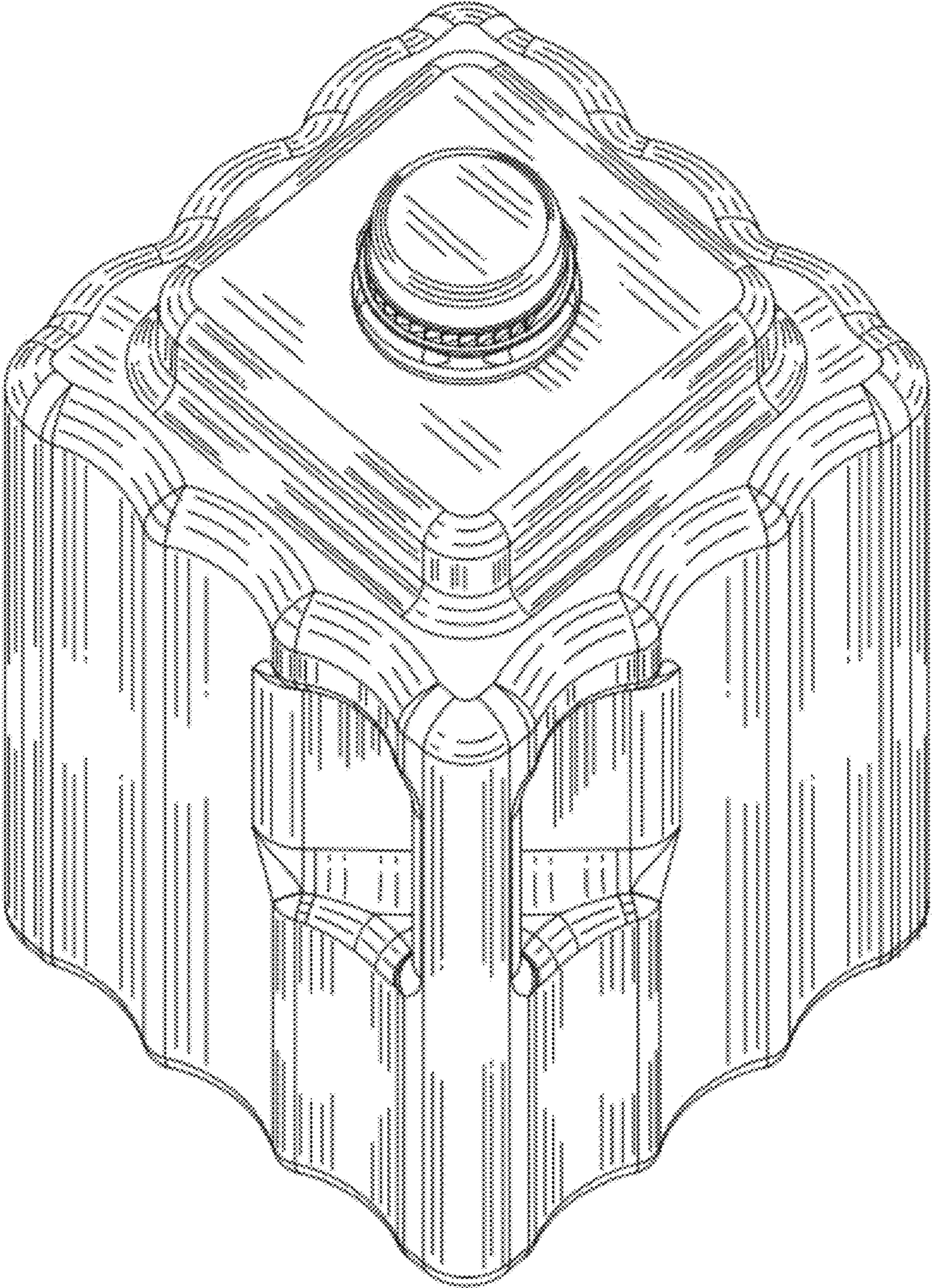


FIG. 1



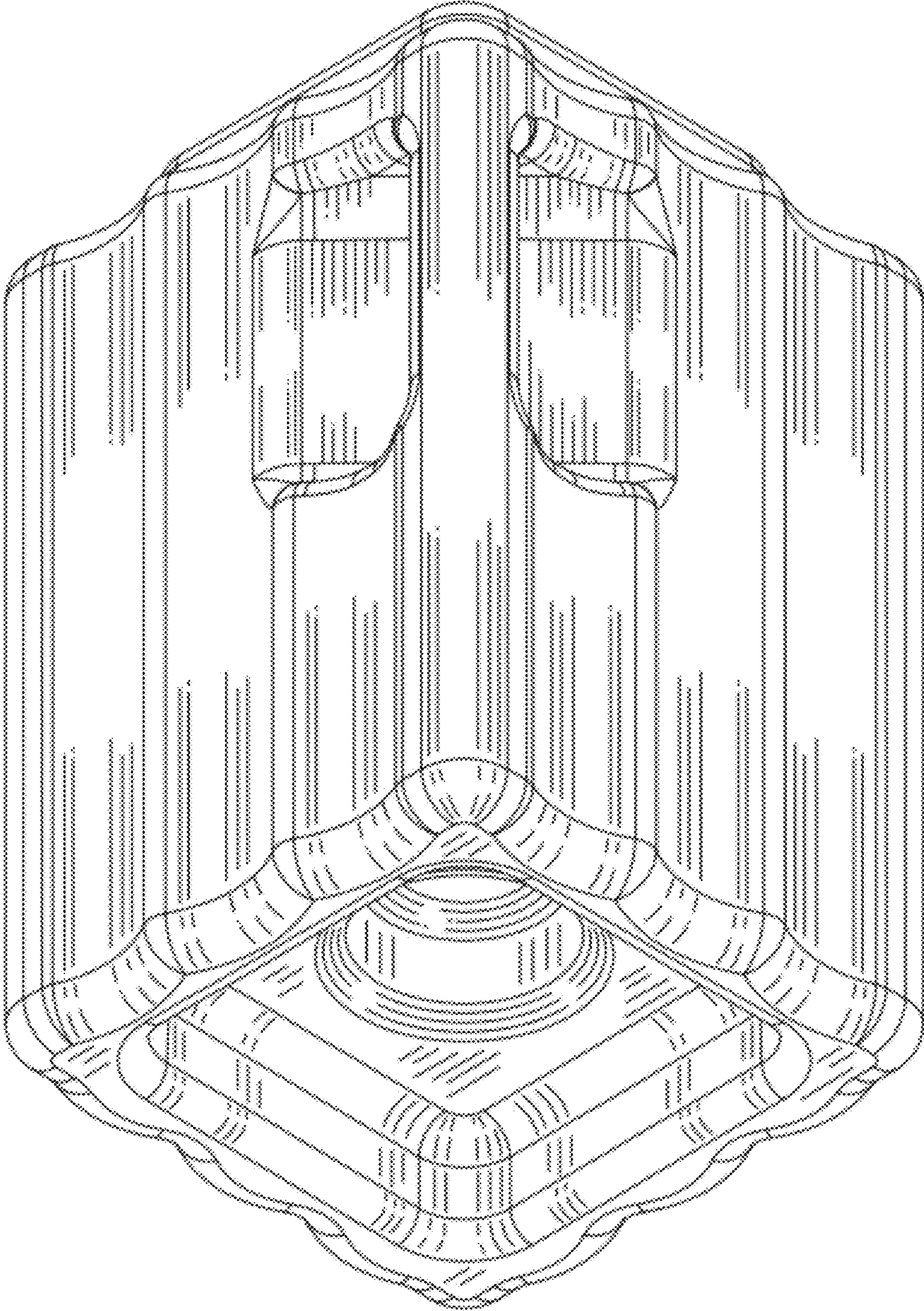


FIG. 2



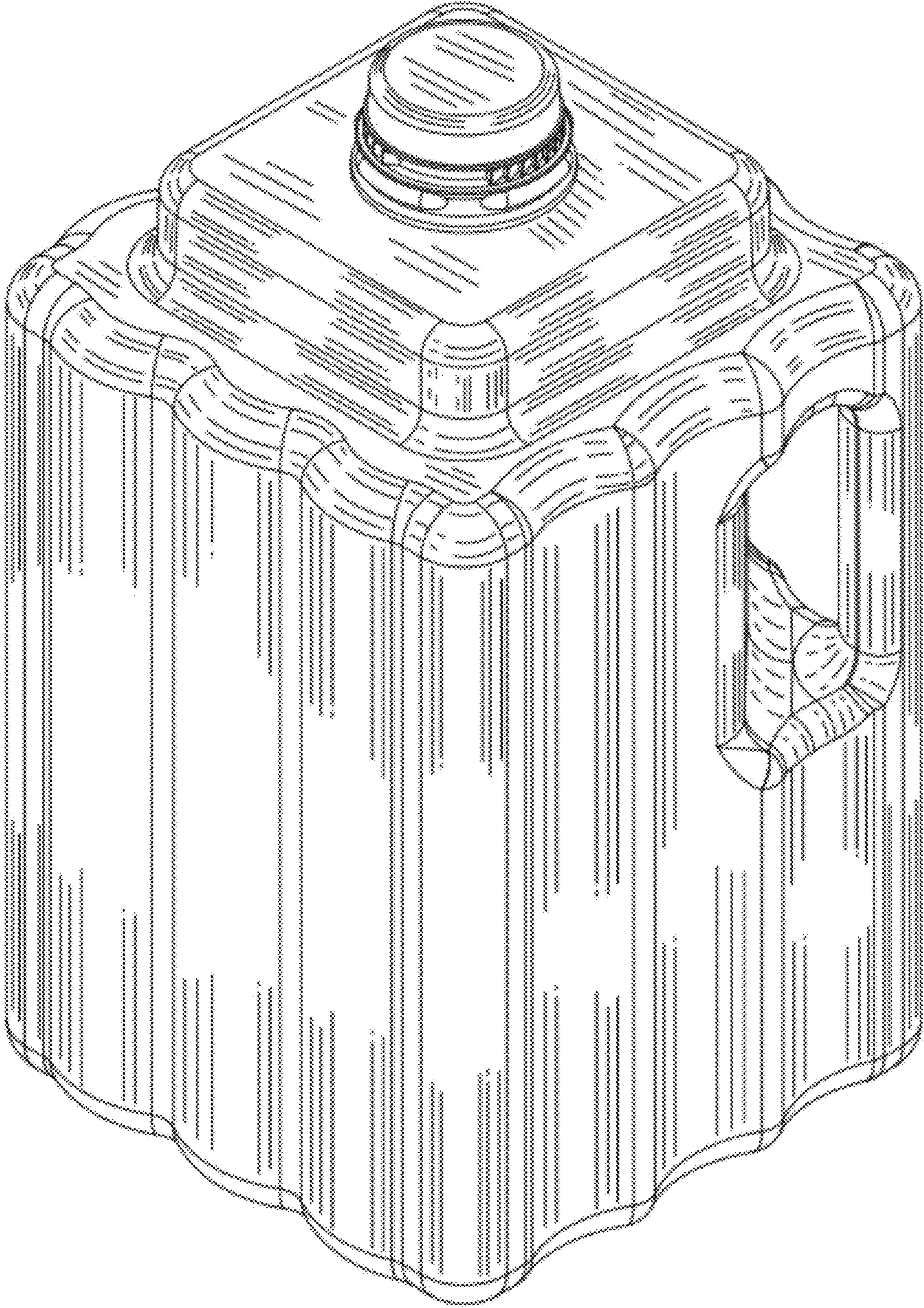


FIG. 3



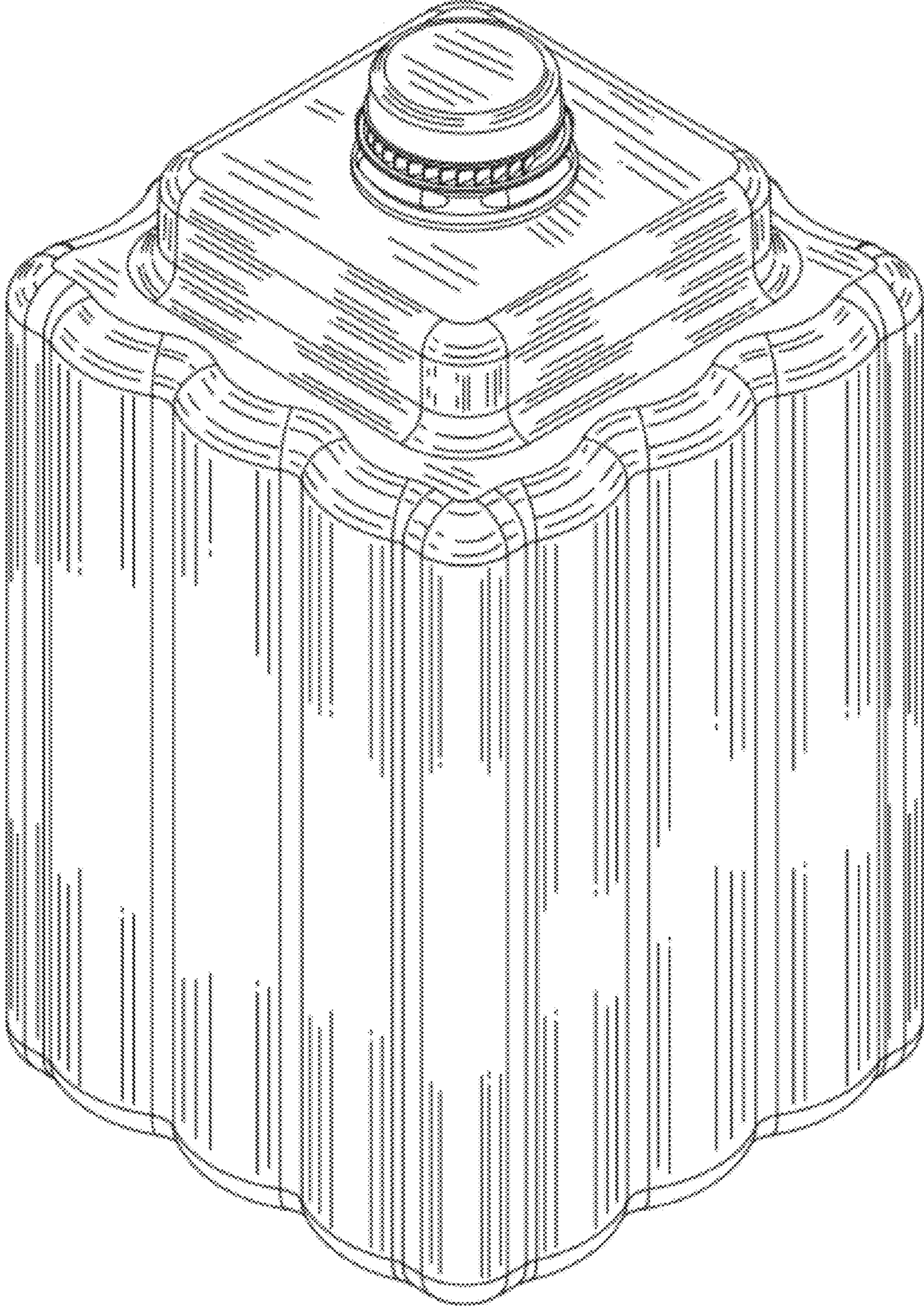


FIG. 4



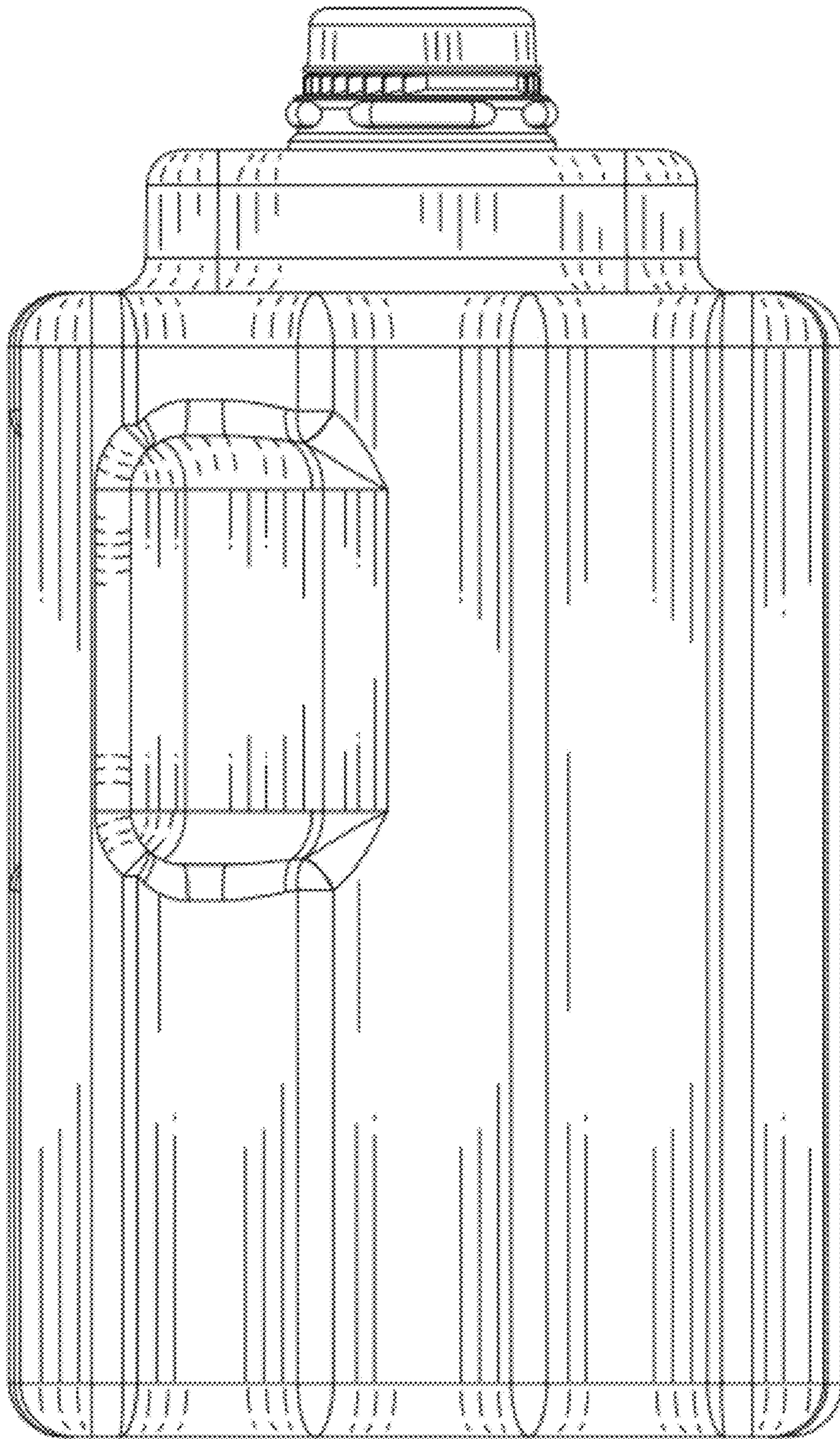


FIG. 5



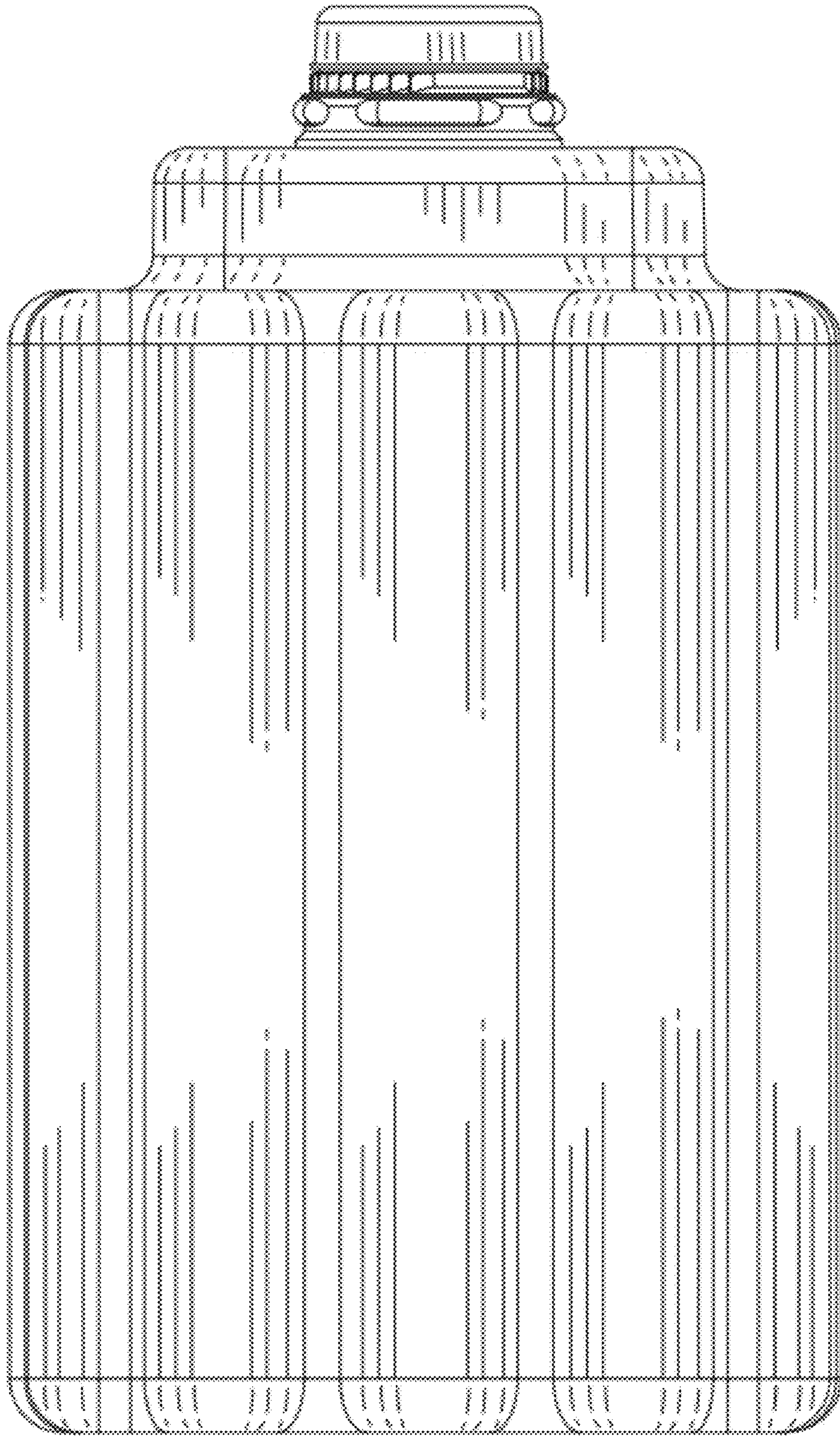


FIG. 6



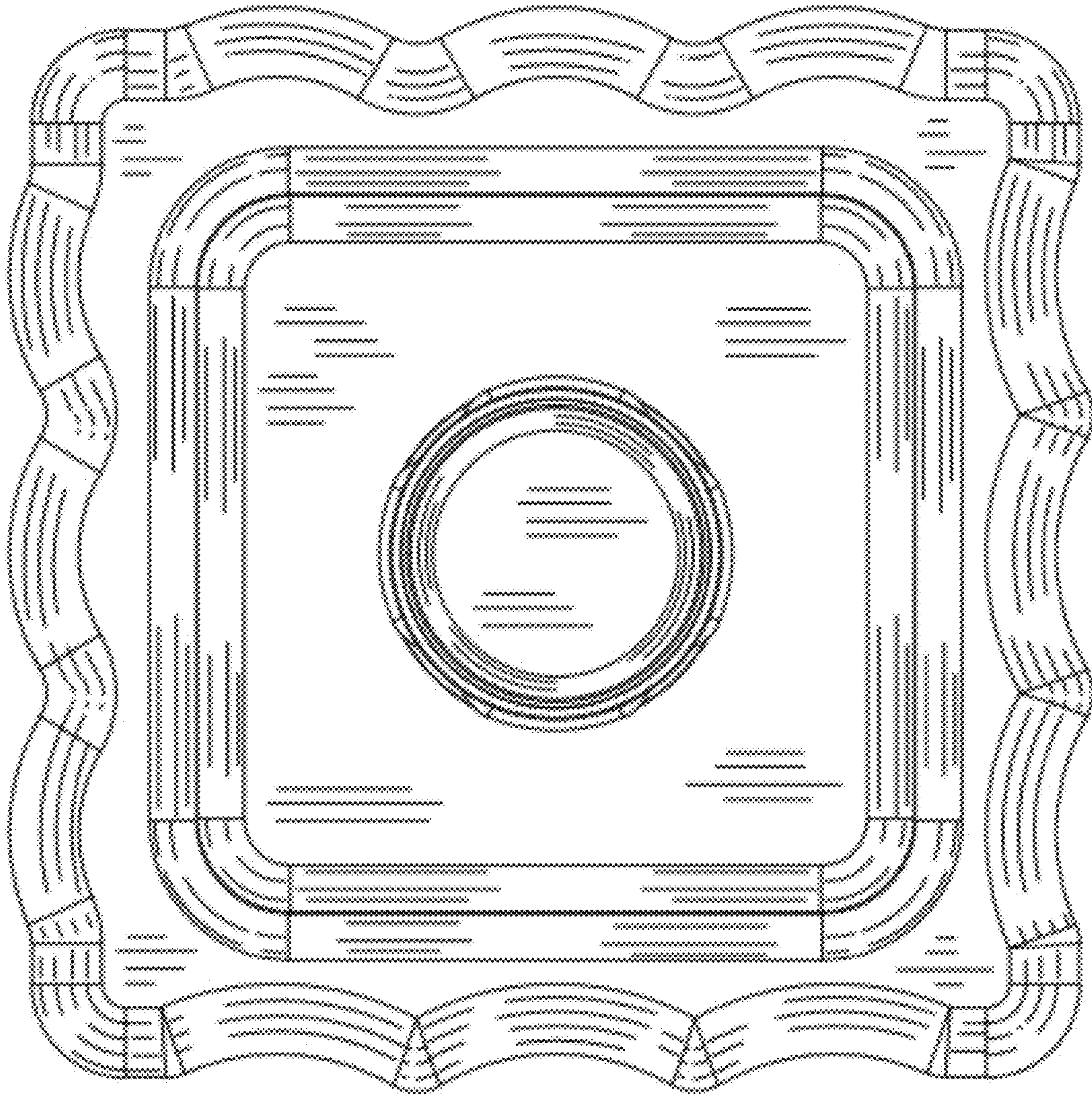


FIG. 7



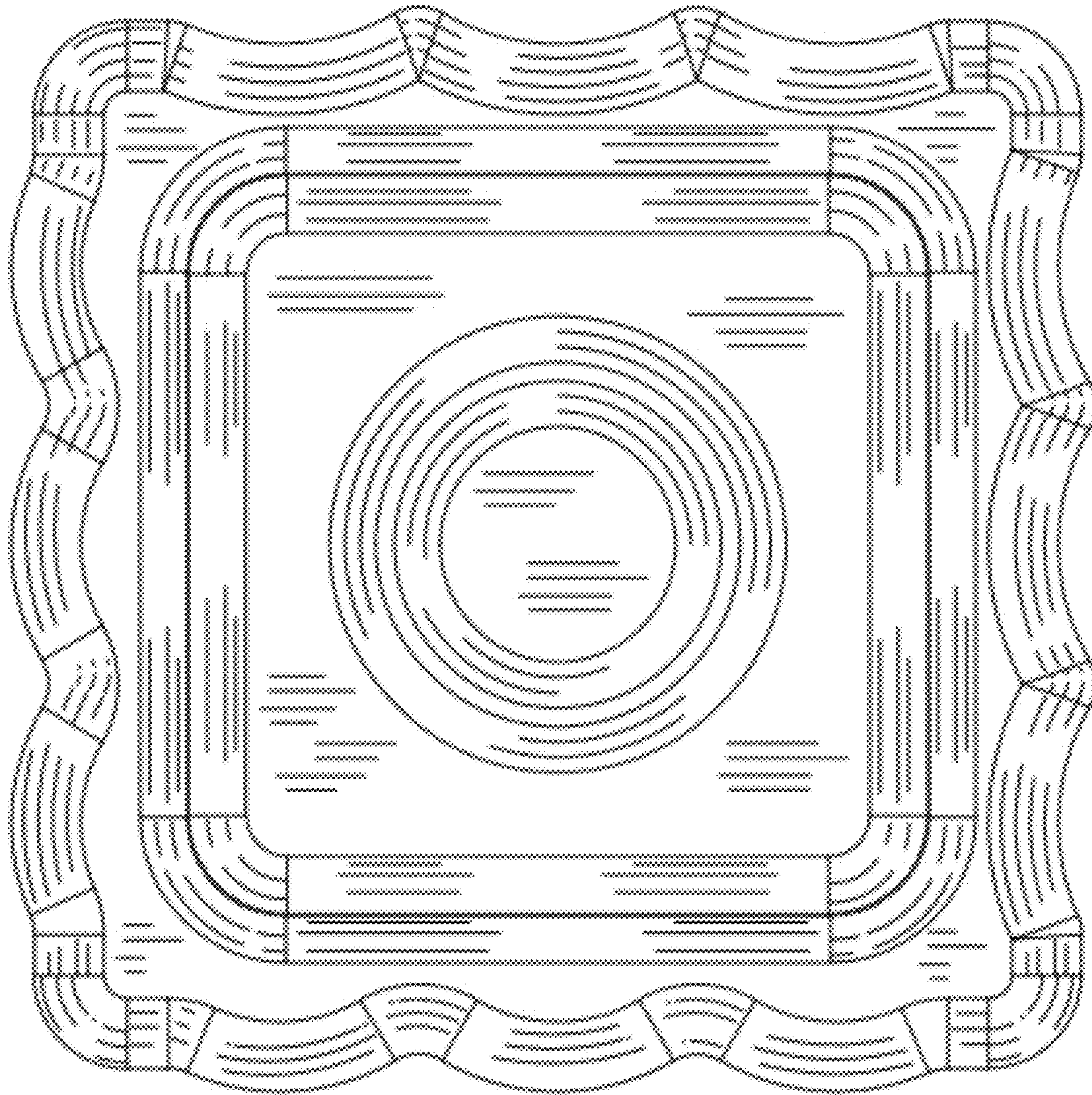


FIG. 8