



US00D672654S

(12) **United States Design Patent**
Jäckel

(10) **Patent No.:** **US D672,654 S**

(45) **Date of Patent:** **** Dec. 18, 2012**

(54) **CLOSURE**

(75) Inventor: **Gerhard Jäckel**, Freyung (DE)

(73) Assignee: **Aptar Freyung GmbH**, Freyung (DE)

(**) Term: **14 Years**

(21) Appl. No.: **29/415,174**

(22) Filed: **Mar. 8, 2012**

(30) **Foreign Application Priority Data**

Sep. 9, 2011 (EM) 001 292 619

(51) **LOC (9) Cl.** **09-07**

(52) **U.S. Cl.** **D9/449; D9/443**

(58) **Field of Classification Search** D9/529,
D9/503, 454, 453, 449, 447, 446, 442, 440,
D9/435; D7/392.1; 222/556, 521, 494, 492;
220/837, 835, 820, 811, 810, 375, 260, 254.7,
220/254.3; 215/322, 321, 306, 305, 237,
215/235; 206/540, 539, 538, 216

See application file for complete search history.

(56) **References Cited**

U.S. PATENT DOCUMENTS

5,201,440	A *	4/1993	Gross	222/153.07
D516,425	S *	3/2006	Haffner et al.	D9/449
D608,196	S *	1/2010	Beilke	D9/449
D641,627	S *	7/2011	Rosenauer	D9/449
D644,106	S *	8/2011	Almstead et al.	D9/522

* cited by examiner

Primary Examiner — Susan Bennett Hattan

(74) *Attorney, Agent, or Firm* — Wood, Phillips, Katz, Clark & Mortimer

(57) **CLAIM**

The ornamental design for a closure, as shown and described.

DESCRIPTION

FIG. 1 is a front isometric view of a first embodiment of a closure showing my new design with the closure in the closed condition, and the closure is adapted to be mounted on a bottle or other container (not illustrated);

FIG. 2 is a top plan view thereof;

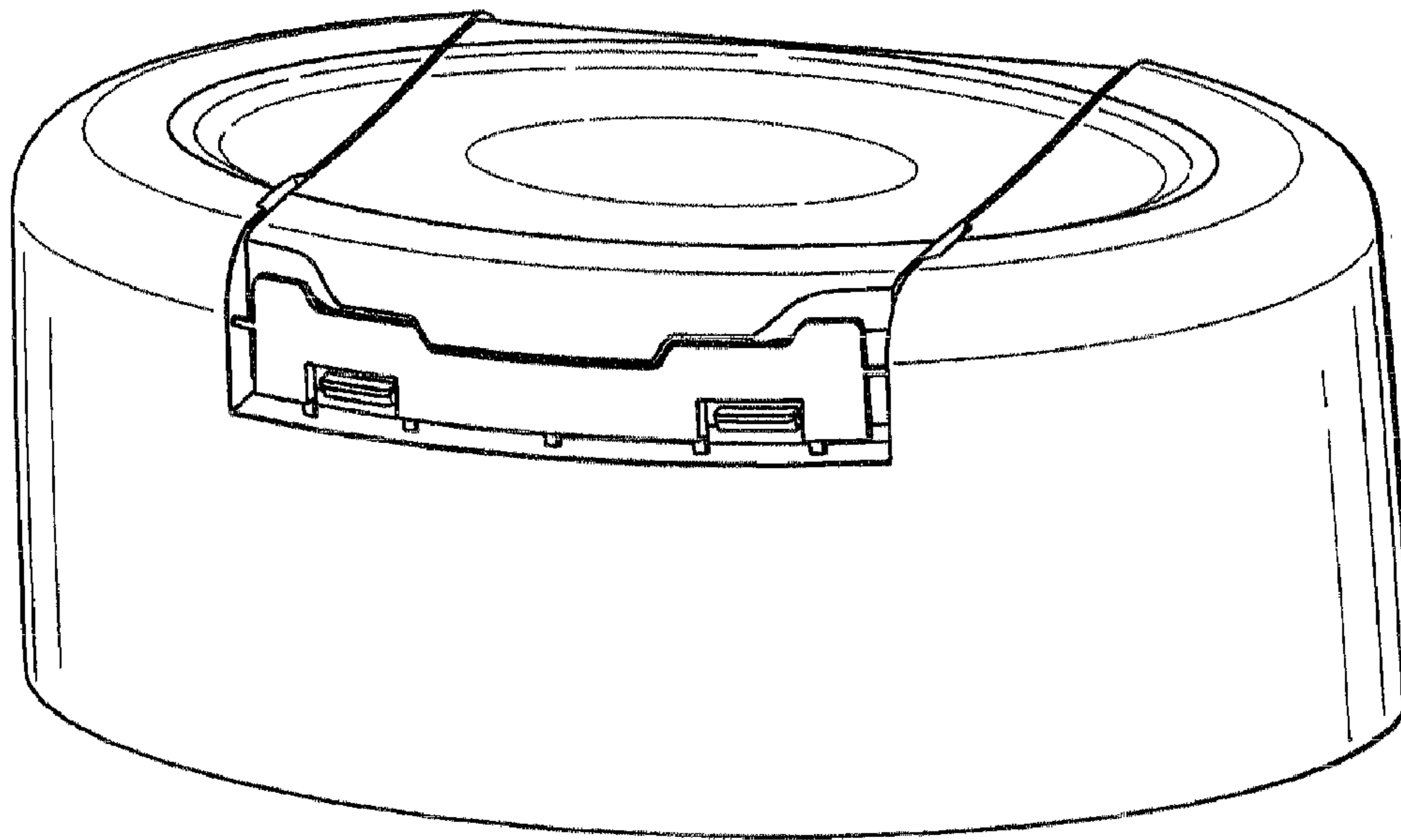
FIG. 3 is a right side elevational view thereof;

FIG. 4 is a left side elevational view thereof; and,

FIG. 5 is a front elevational view thereof.

The undisclosed rear view is unornamented.

1 Claim, 2 Drawing Sheets



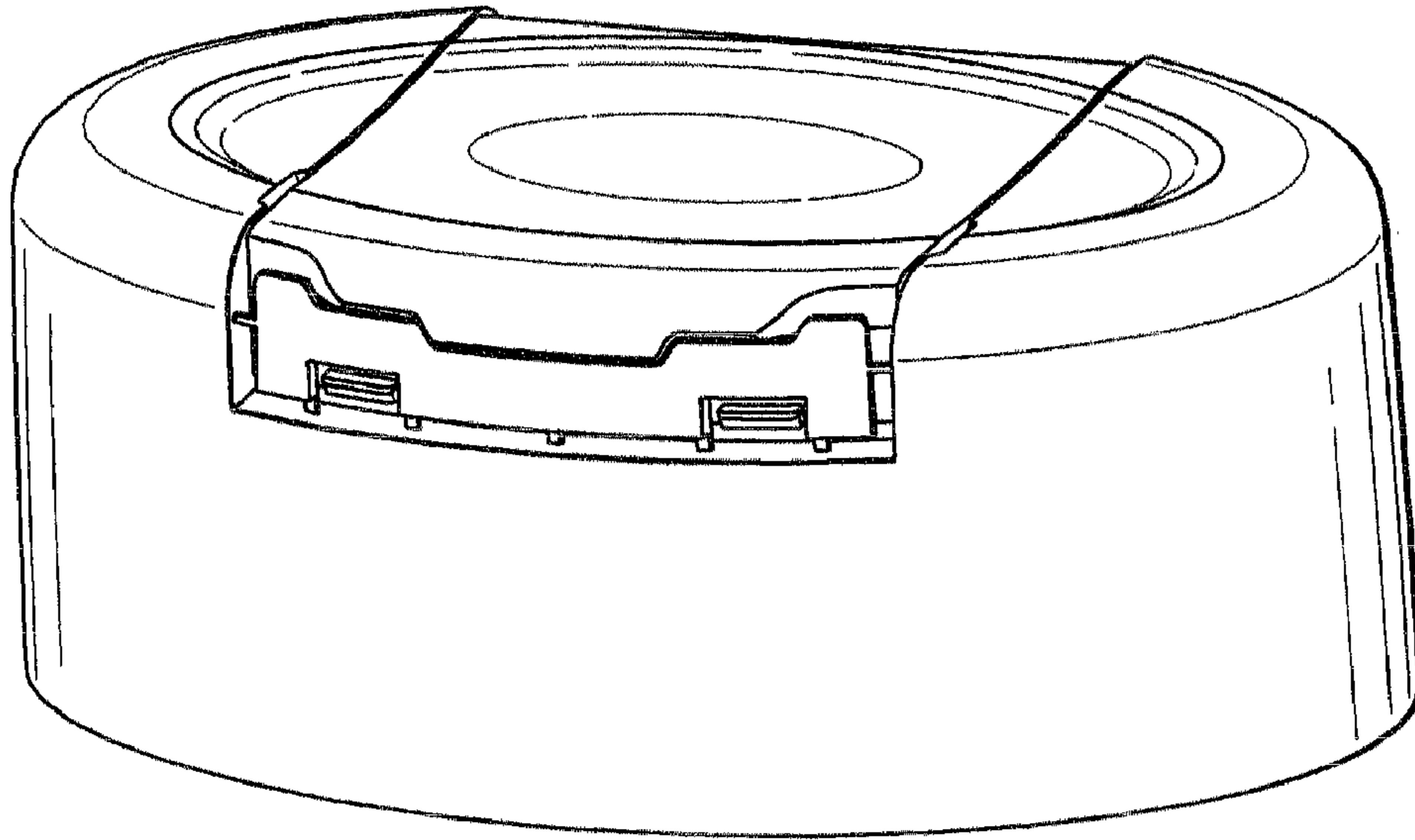


FIG. 1

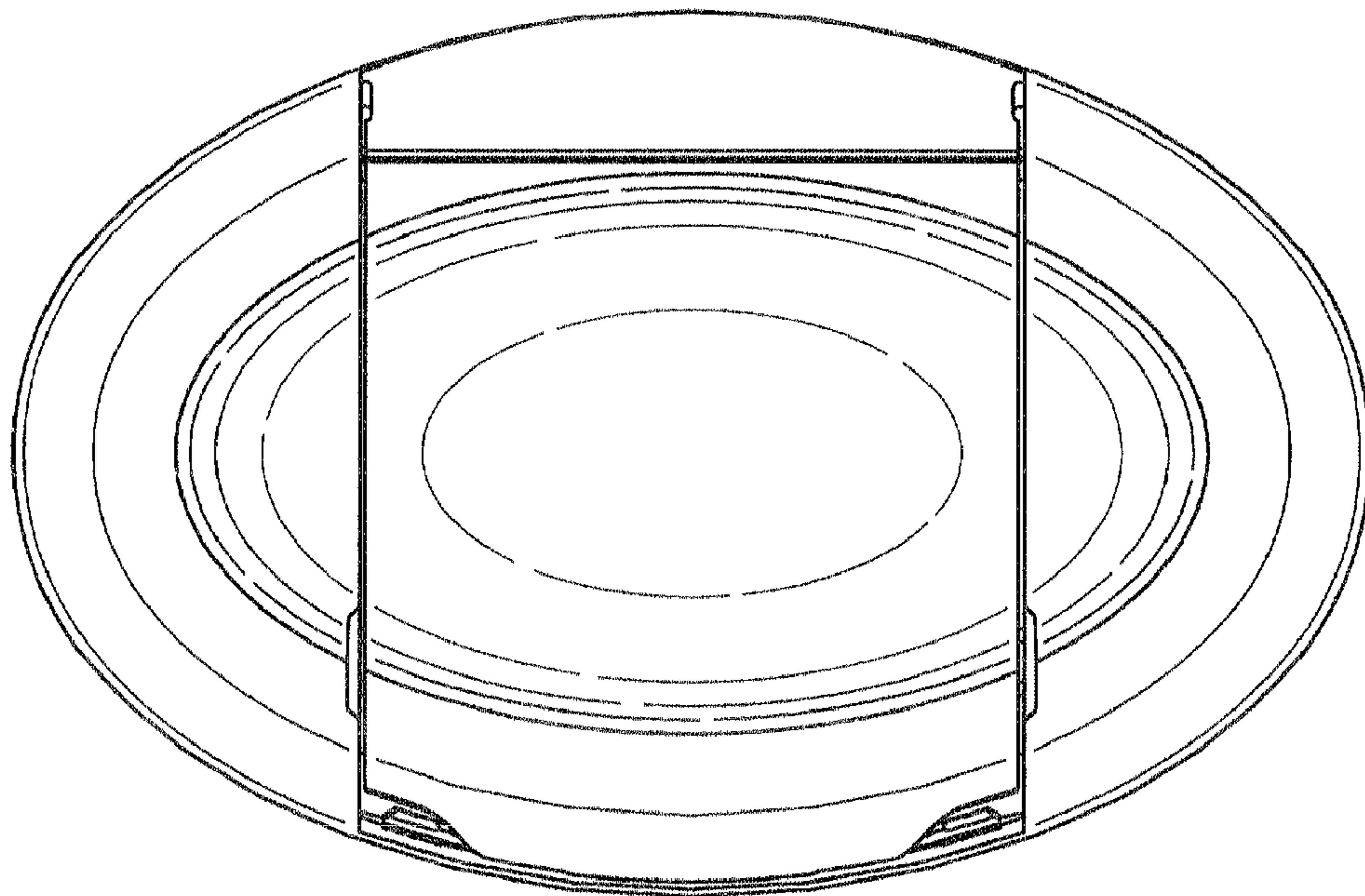


FIG. 2

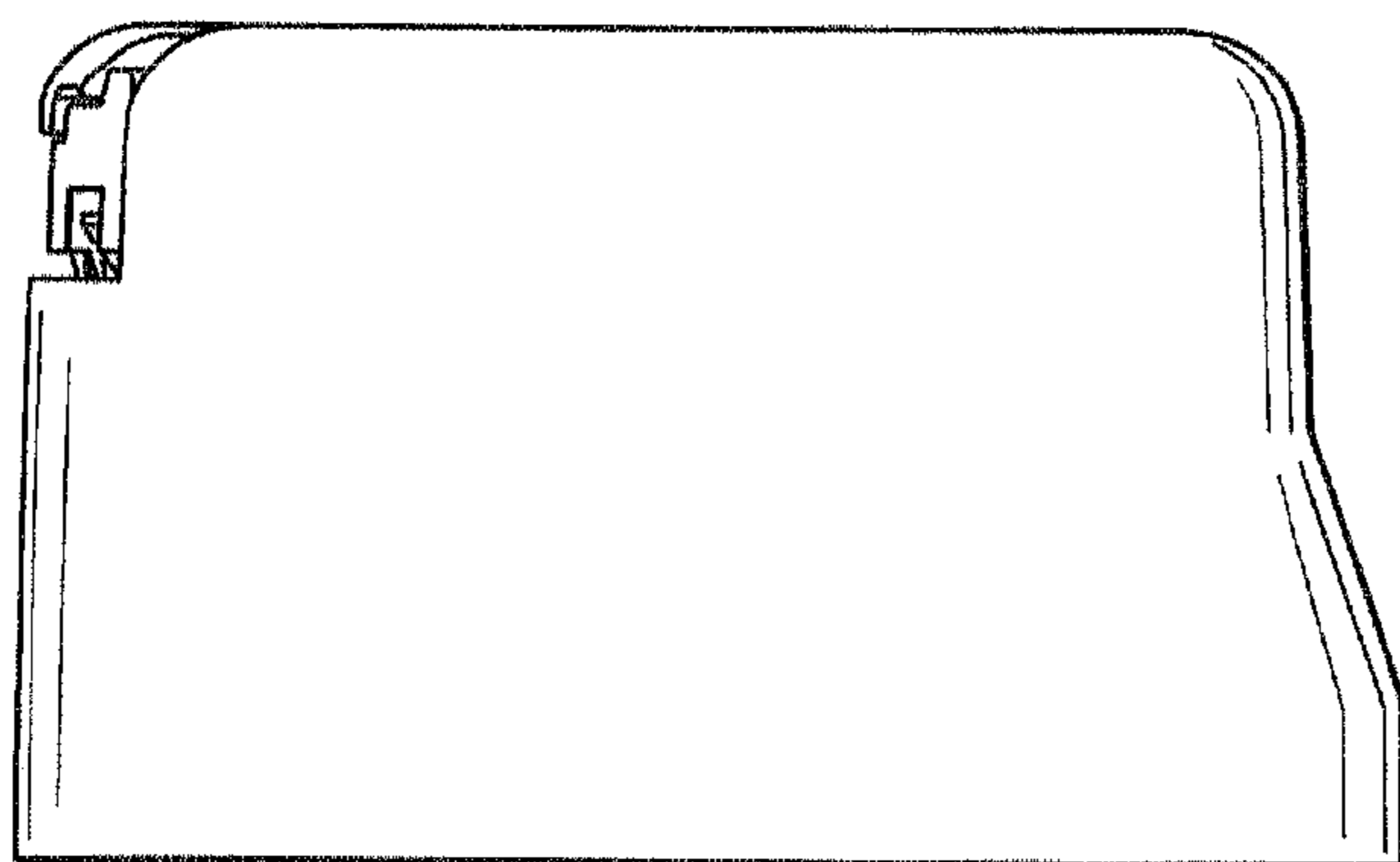


FIG. 3

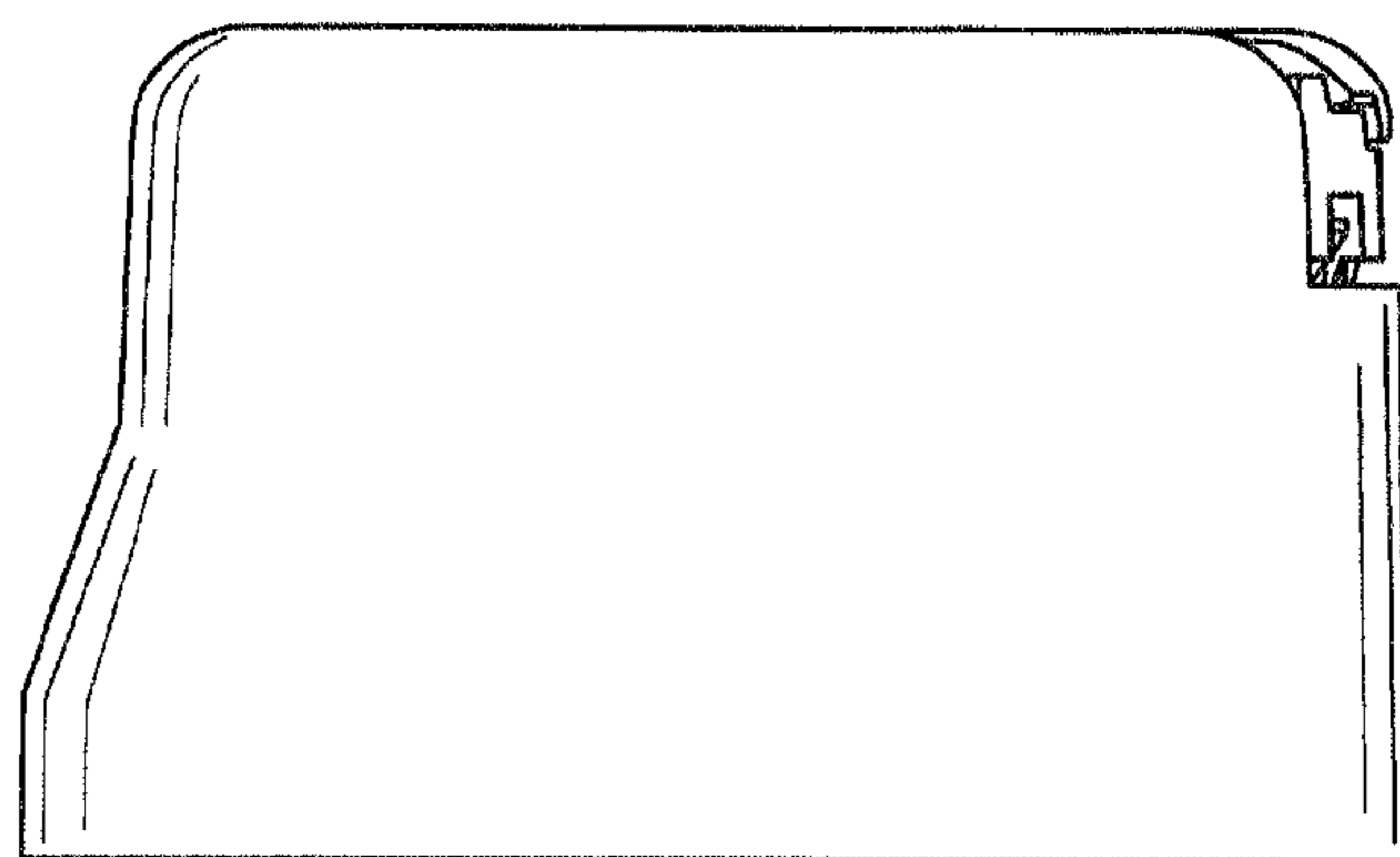


FIG. 4

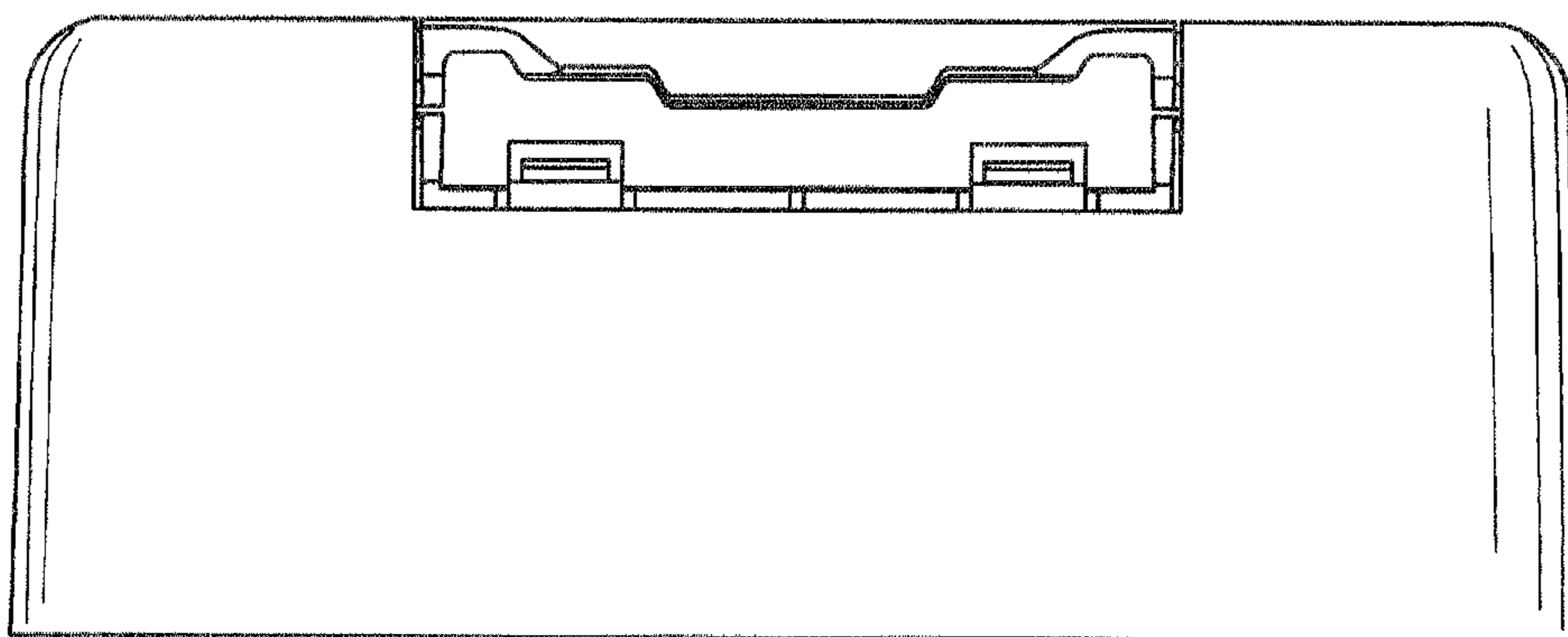


FIG. 5