



US00D672650S

(12) **United States Design Patent**
Wisniewski et al.

(10) **Patent No.:** **US D672,650 S**
(45) **Date of Patent:** **** Dec. 18, 2012**

(54) **CLOSURE**

(75) Inventors: **John Wisniewski**, Wauwatosa, WI (US);
Anne F. Stecker, Lake Geneva, WI (US)

(73) Assignee: **AptarGroup, Inc.**, Crystal Lake, IL
(US)

(**) Term: **14 Years**

(21) Appl. No.: **29/387,297**

(22) Filed: **Mar. 11, 2011**

(51) **LOC (9) Cl.** **09-07**

(52) **U.S. Cl.** **D9/449**; D9/453; D9/443

(58) **Field of Classification Search** D9/529,
D9/503, 454, 453, 449, 447, 446, 442, 440,
D9/435; D7/392.1; 222/556, 521, 494, 492;
220/837, 835, 820, 811, 810, 375, 260, 254.7,
220/254.3; 215/322, 321, 306, 305, 237,
215/235; 206/540, 539, 538, 216

See application file for complete search history.

(56) **References Cited**

U.S. PATENT DOCUMENTS

D472,144 S * 3/2003 Hierzer et al. D9/435
D536,975 S 2/2007 Smith et al.

D537,342 S 2/2007 Smith et al.
D561,586 S * 2/2008 Hadtke et al. D9/449
D576,489 S 9/2008 Mazurkiewicz et al.
D634,633 S * 3/2011 Moreau et al. D9/453
2009/0242564 A1* 10/2009 Danks et al. 220/361
2011/0006061 A1* 1/2011 Michiwaki 220/260

* cited by examiner

Primary Examiner — Susan Bennett Hattan

(74) *Attorney, Agent, or Firm* — Wood, Phillips, Katz, Clark
& Mortimer

(57) **CLAIM**

The ornamental design for a closure, as shown and described.

DESCRIPTION

FIG. 1 is an isometric view, taken from the front and right side, of a closure, and FIG. 1 shows my new design with the lid in the closed position as the lid would be initially positioned with the closure body for installation of the closure on a container (not shown) for initial purchase by a consumer; FIG. 2 is an isometric view thereof as taken from the rear and left side;
FIG. 3 is a top plan view thereof;
FIG. 4 is a front elevational view thereof;
FIG. 5 is a right side elevational view thereof;
FIG. 6 is a left side elevational view thereof; and,
FIG. 7 is a rear elevational view thereof.

1 Claim, 4 Drawing Sheets

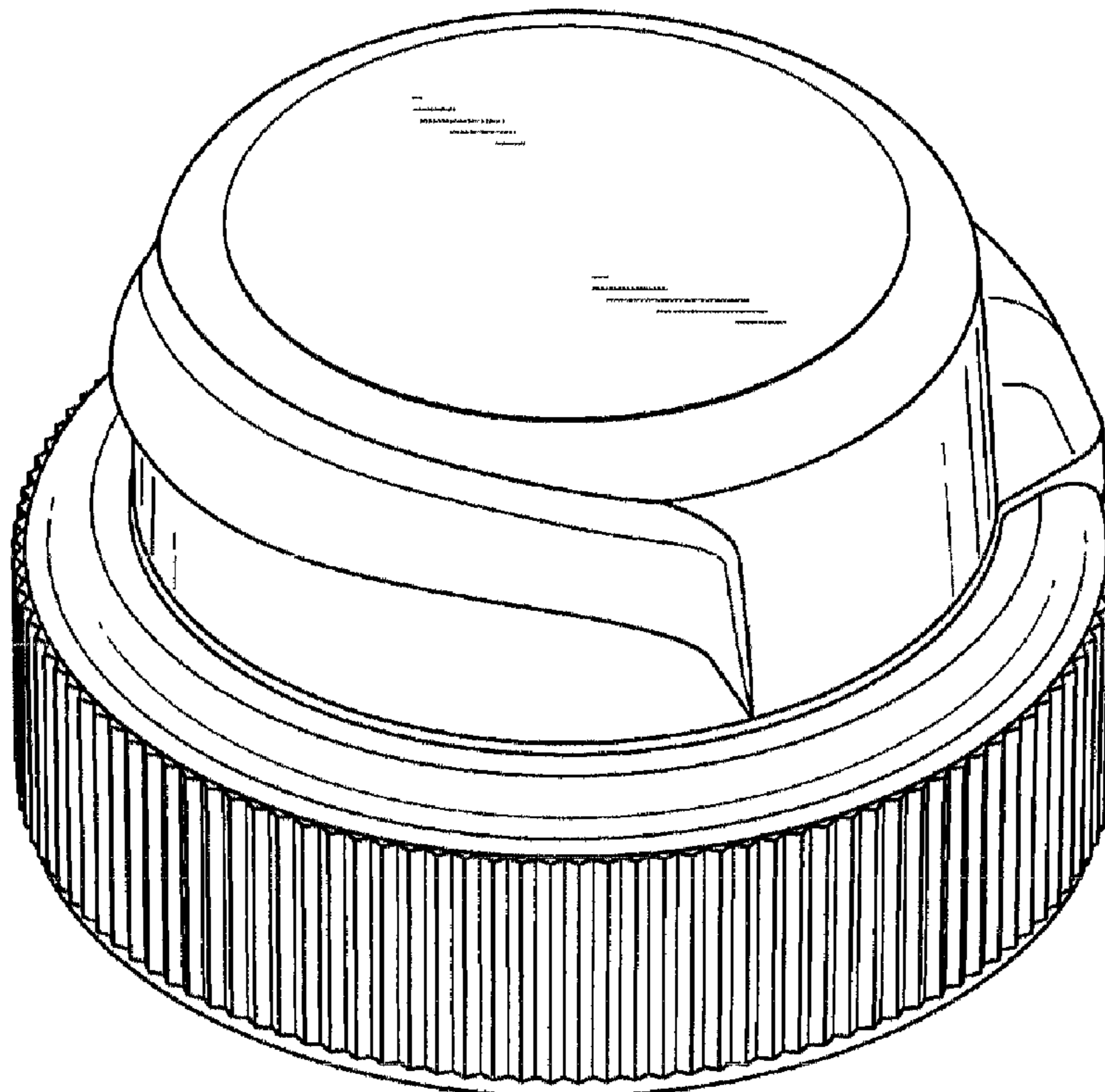


FIG. 1

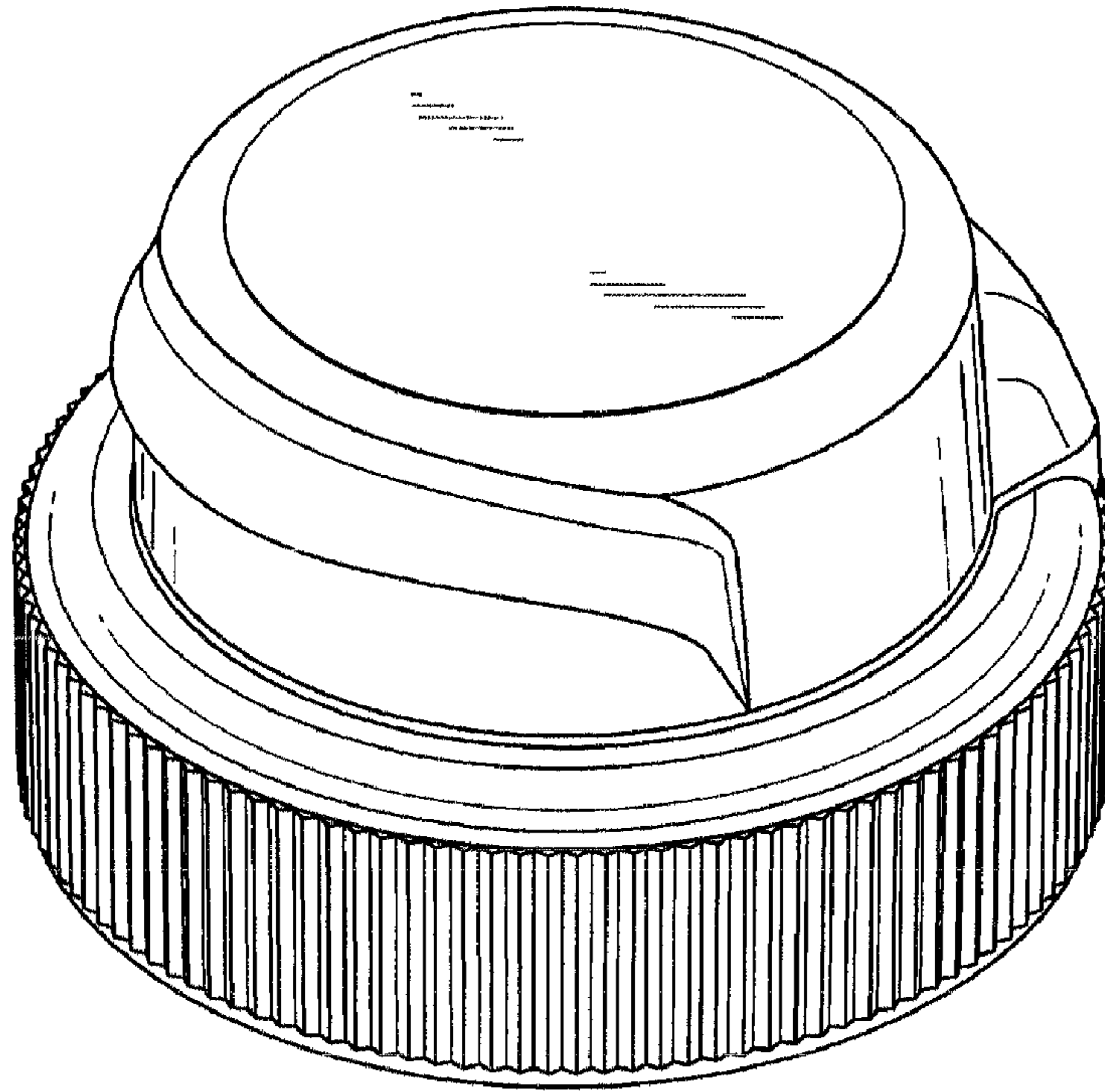
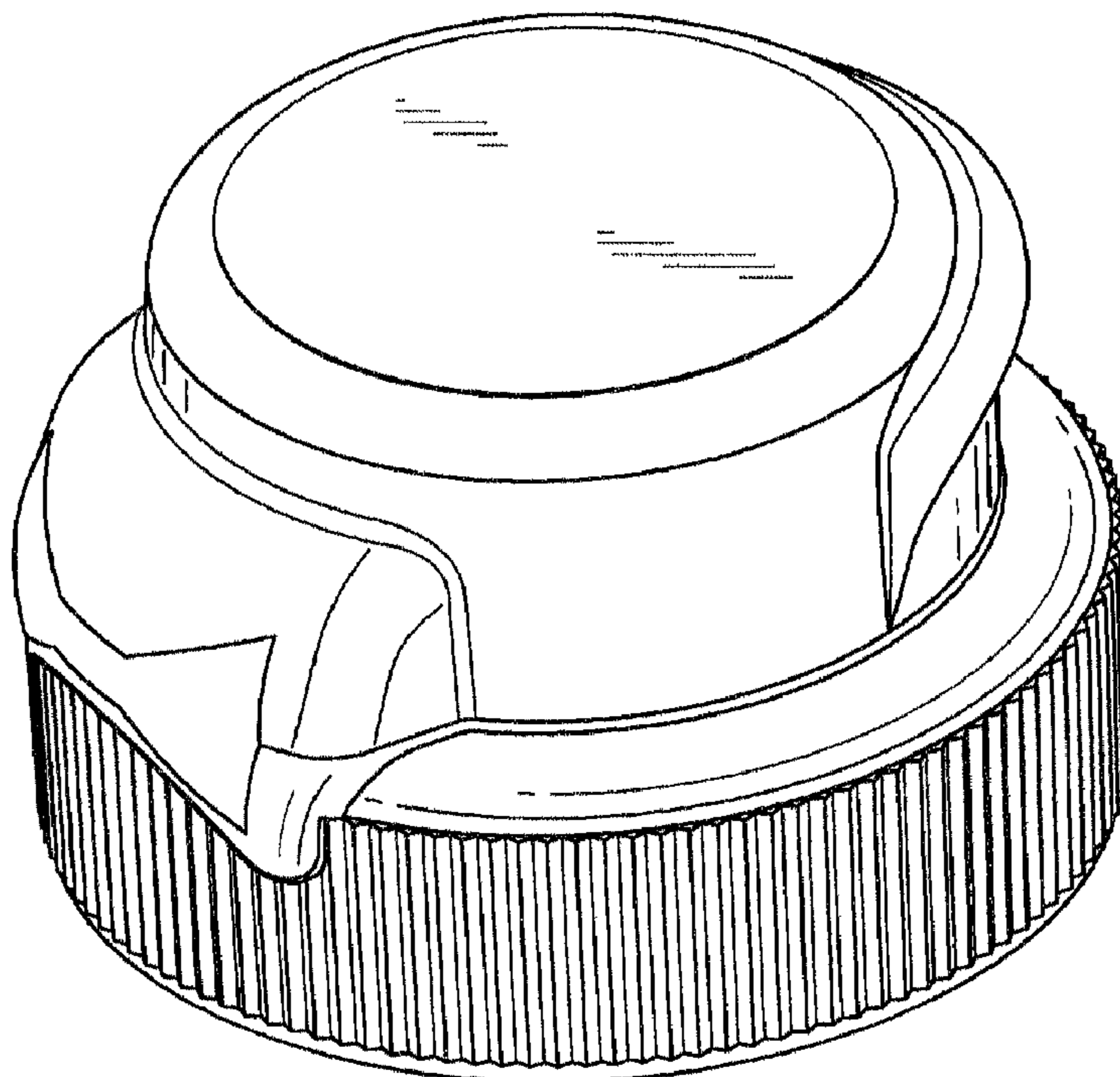


FIG. 2



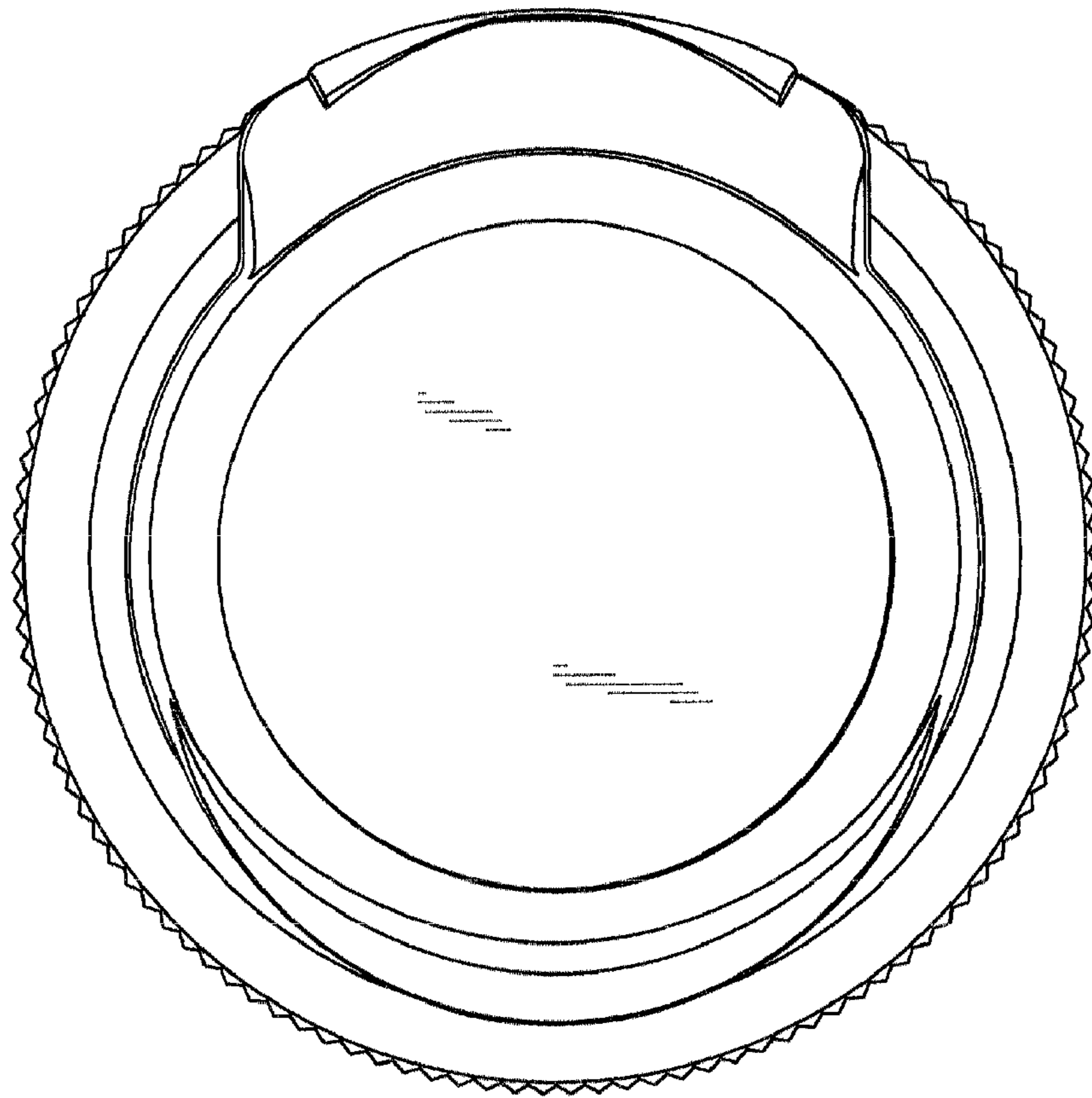


FIG. 3

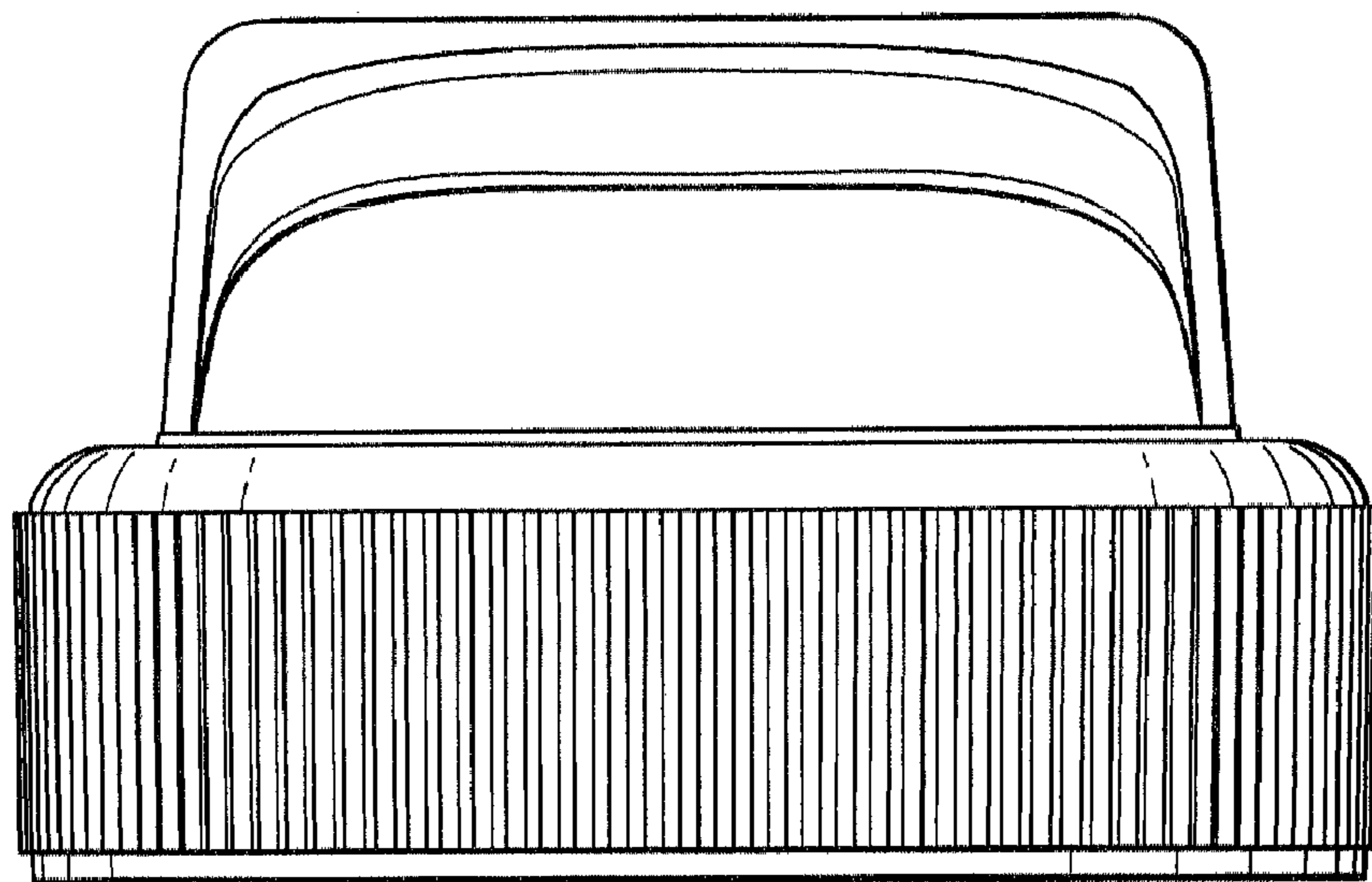


FIG. 4

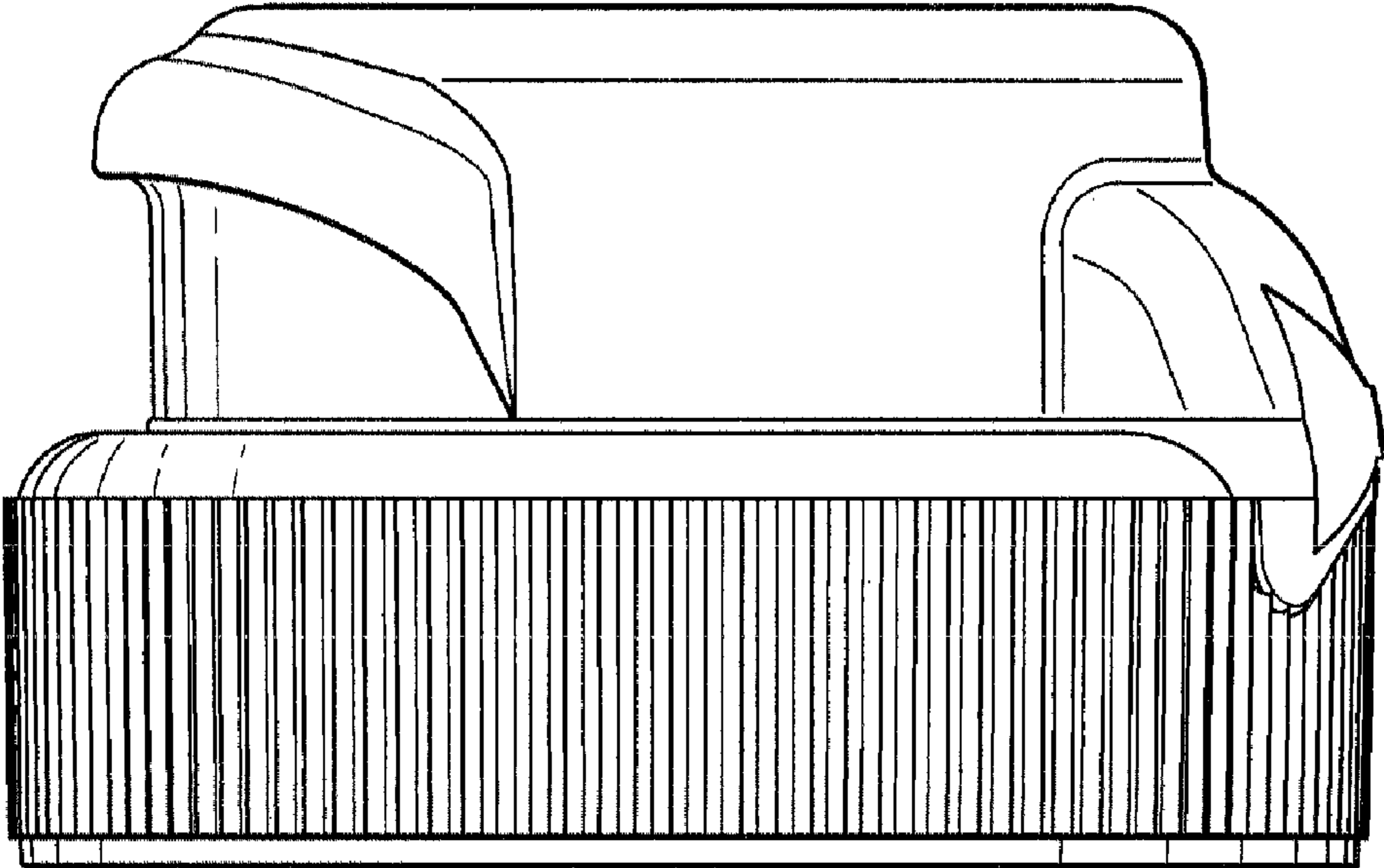


FIG. 5

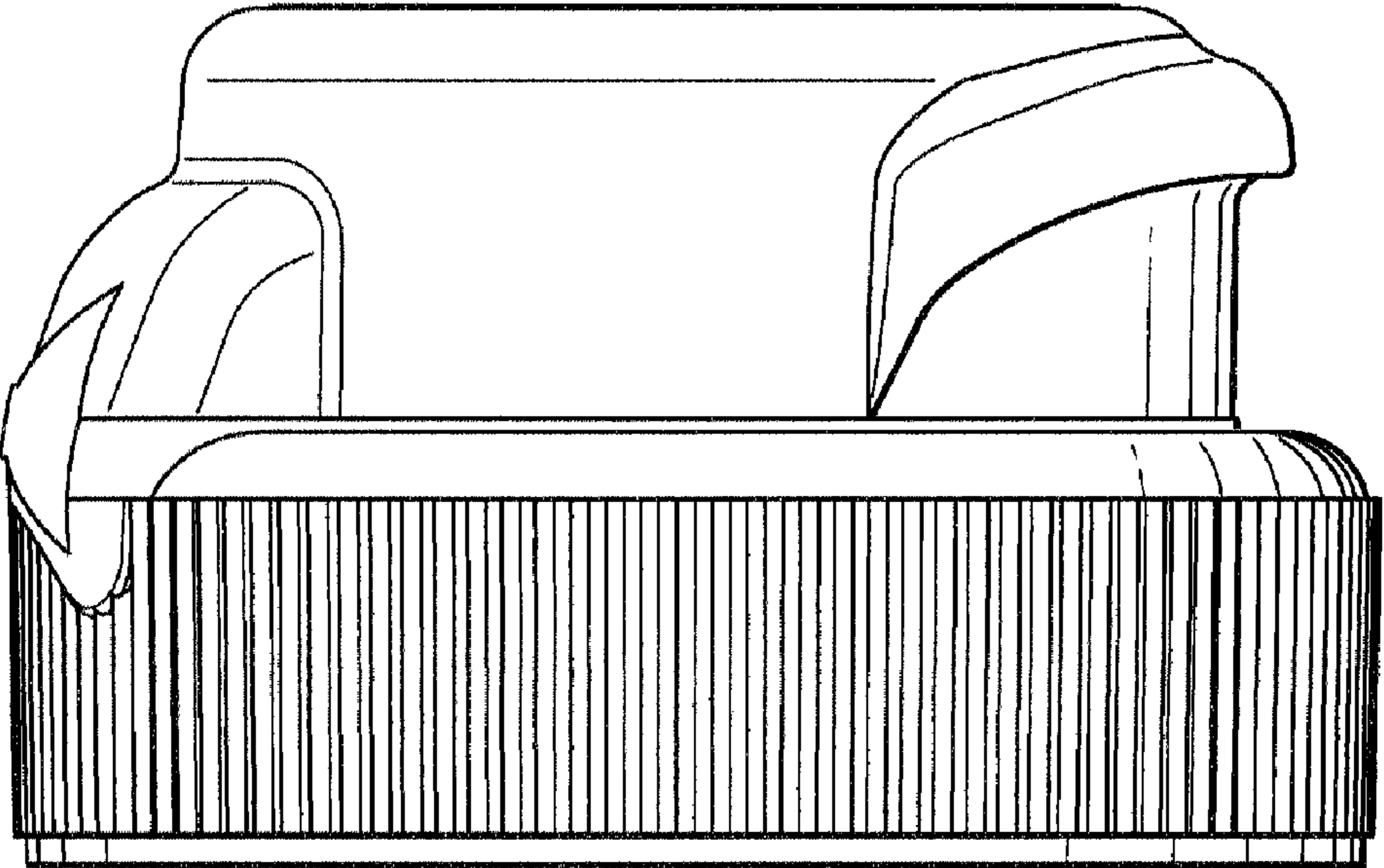


FIG. 6

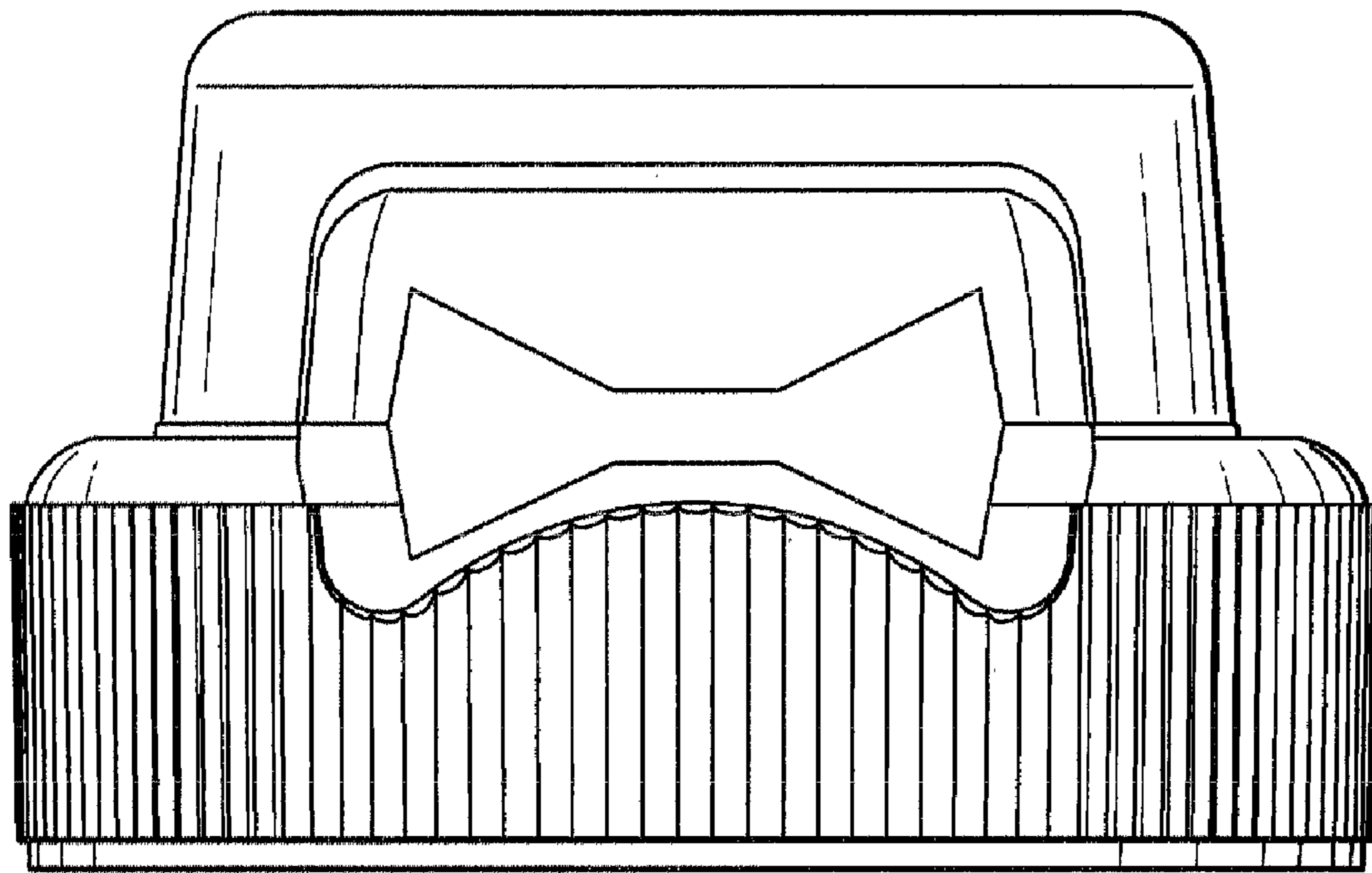


FIG. 7