



US00D672648S

(12) **United States Design Patent**
Goto et al.

(10) **Patent No.:** **US D672,648 S**

(45) **Date of Patent:** **** Dec. 18, 2012**

(54) **CLOSURE FOR DRINK CONTAINER**

(75) Inventors: **Norifumi Goto**, Ichinomiya (JP);
Nobuyuki Kitamura, Kyoto (JP)

(73) Assignee: **Thermos K.K.**, Niigata (JP)

(**) Term: **14 Years**

(21) Appl. No.: **29/399,794**

(22) Filed: **Aug. 18, 2011**

(30) **Foreign Application Priority Data**

Jun. 30, 2011 (JP) 2011-014958

(51) **LOC (9) Cl.** **09-07**

(52) **U.S. Cl.** **D9/443; D9/449; D9/452**

(58) **Field of Classification Search** D9/529,
D9/503, 454, 453, 452, 450, 449, 447, 446,
D9/442, 440, 435, 900; D7/392.1; 222/556,
222/521, 494, 492, 212; 220/837, 835, 820,
220/811, 810, 375, 260, 245.7, 254.3; 215/322,
215/321, 306, 305, 237, 235; 206/540, 539,
206/538, 216

See application file for complete search history.

(56) **References Cited**

U.S. PATENT DOCUMENTS

D409,043 S * 5/1999 Lillelund et al. D7/392

D540,677 S * 4/2007 Stull D9/449
D548,075 S * 8/2007 Mavin et al. D9/435
D556,575 S * 12/2007 Nusbaum et al. D9/449
D610,456 S * 2/2010 Rognard D9/452
D629,685 S * 12/2010 Brannon et al. D9/449
D647,800 S * 11/2011 Rigling et al. D9/446

* cited by examiner

Primary Examiner — Susan Bennett Hattan

(74) *Attorney, Agent, or Firm* — Duane Morris LLP; J. Rodman Steele, Jr.; Gregory M. Lefkowitz

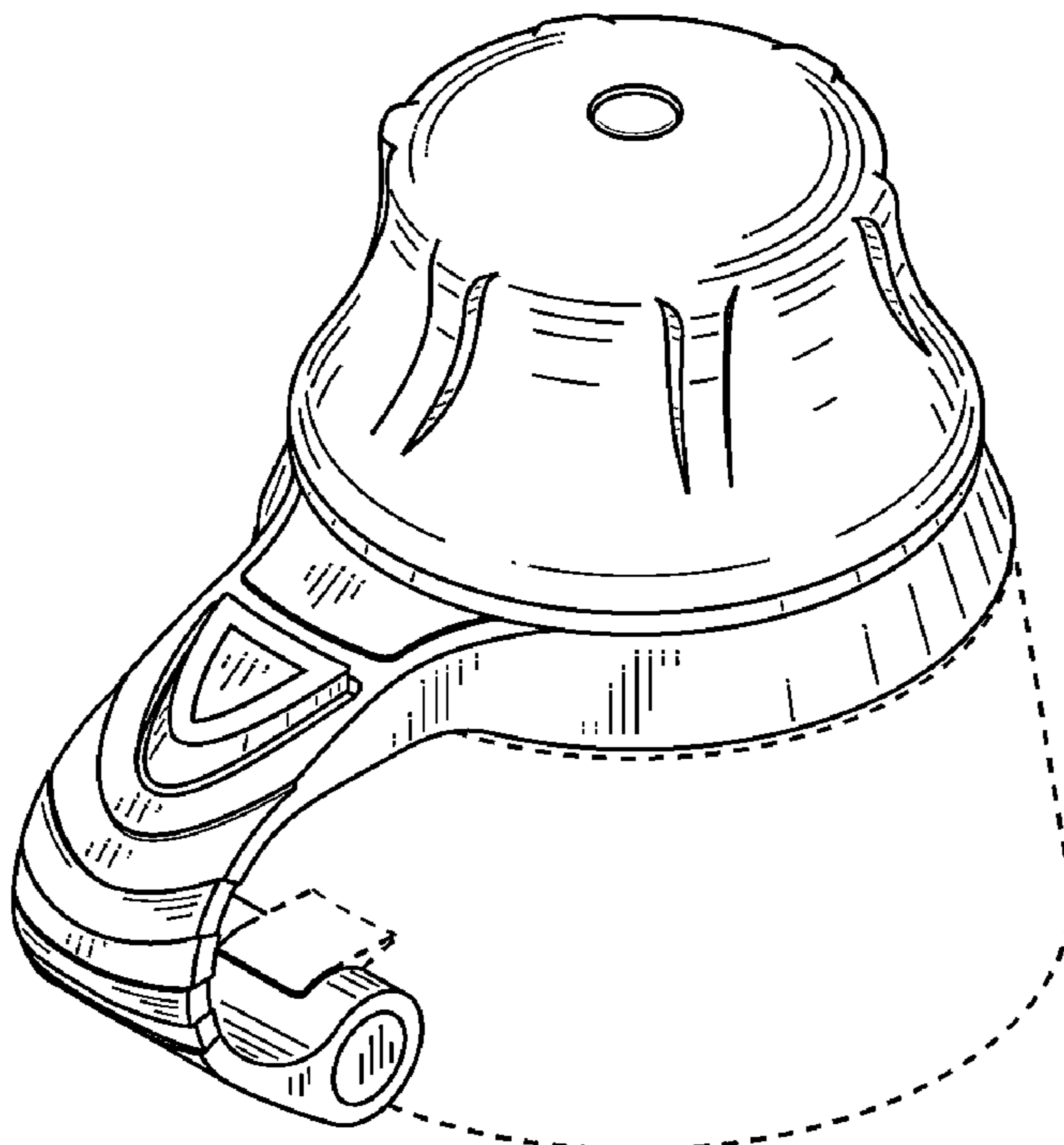
(57) **CLAIM**

The ornamental design for a closure for drink container, as shown and described.

DESCRIPTION

FIG. 1 is a perspective view from above of a closure for drink container in accordance with the new design;
FIG. 2 is a front elevational view thereof the rear view being identical;
FIG. 3 is a top plan view thereof;
FIG. 4 is a bottom plan view thereof;
FIG. 5 is a left side elevational view thereof;
FIG. 6 is a right side elevational view thereof; and,
FIG. 7 is a perspective view thereof in an attached position.
The broken lines shown in the drawings illustrate portions of the article that form no part of the claimed design.

1 Claim, 4 Drawing Sheets



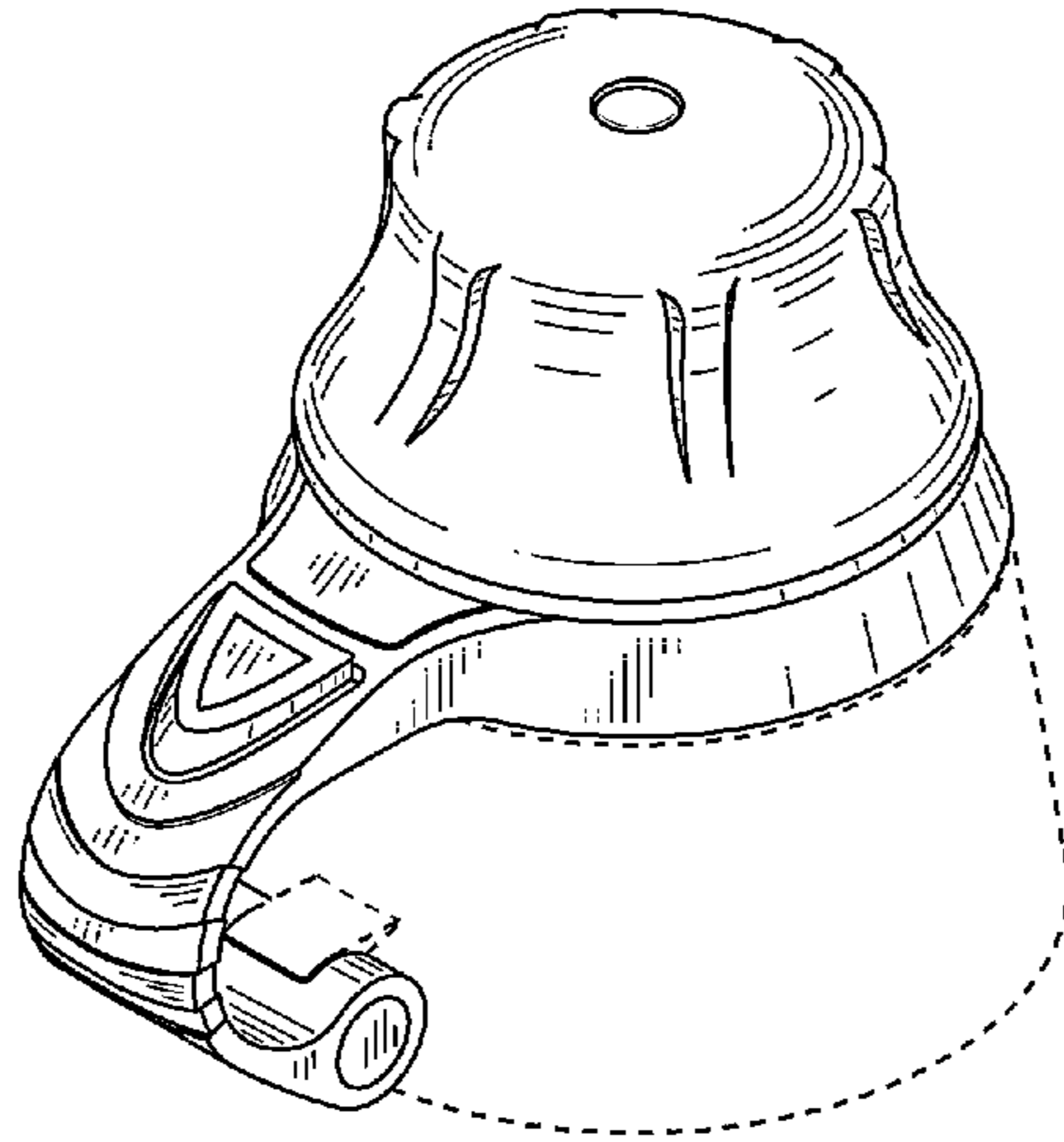


FIG.1

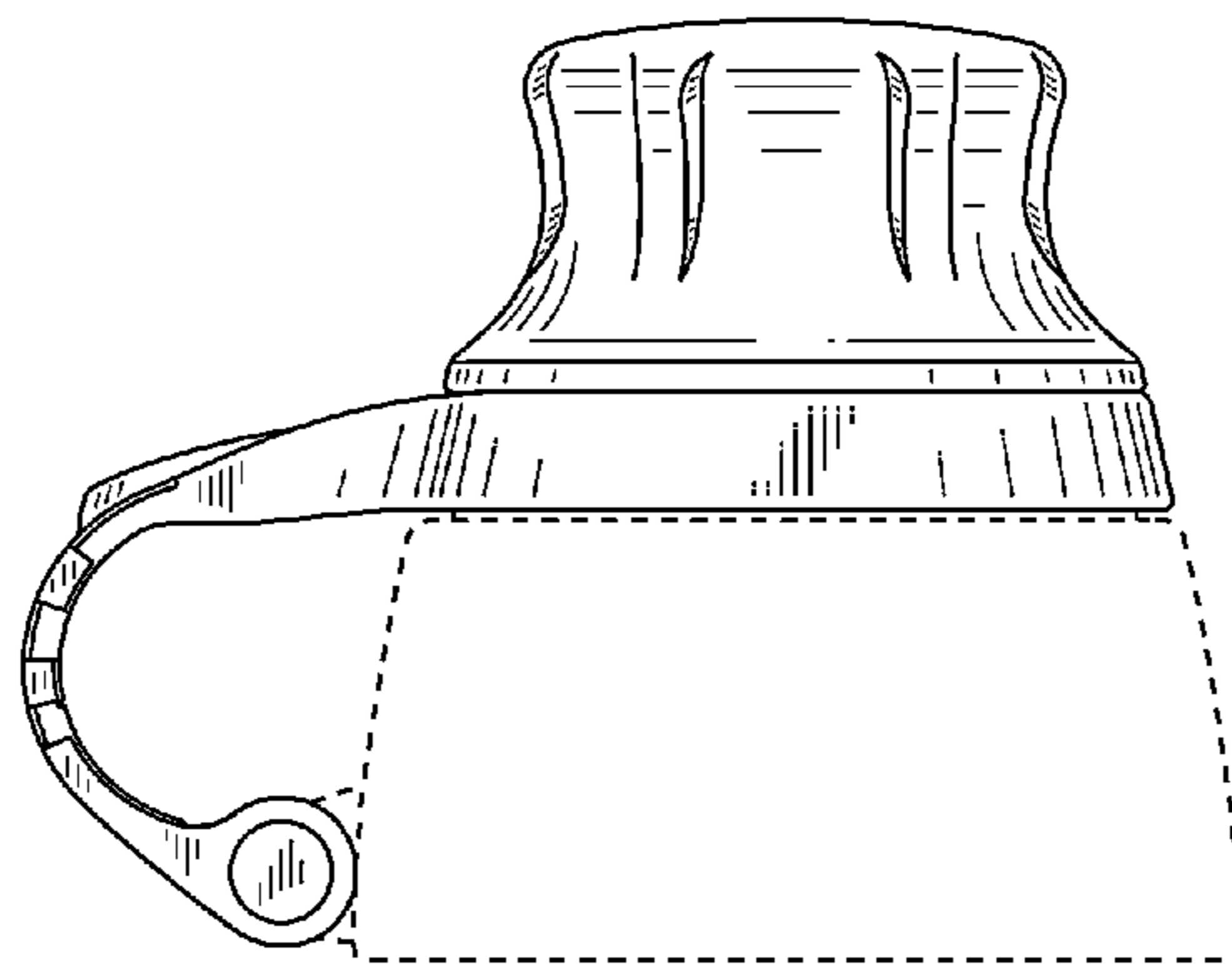


FIG.2

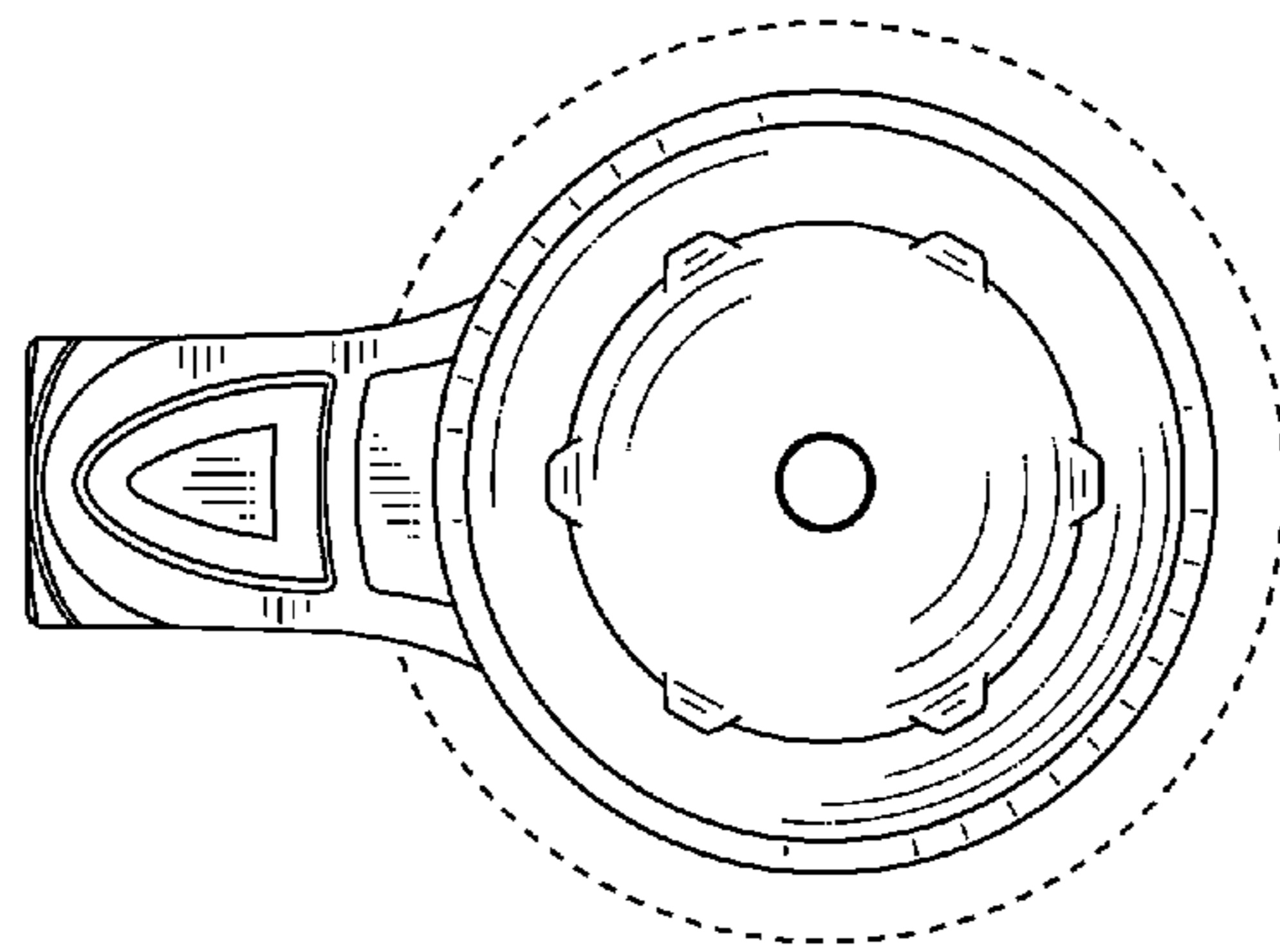


FIG. 3

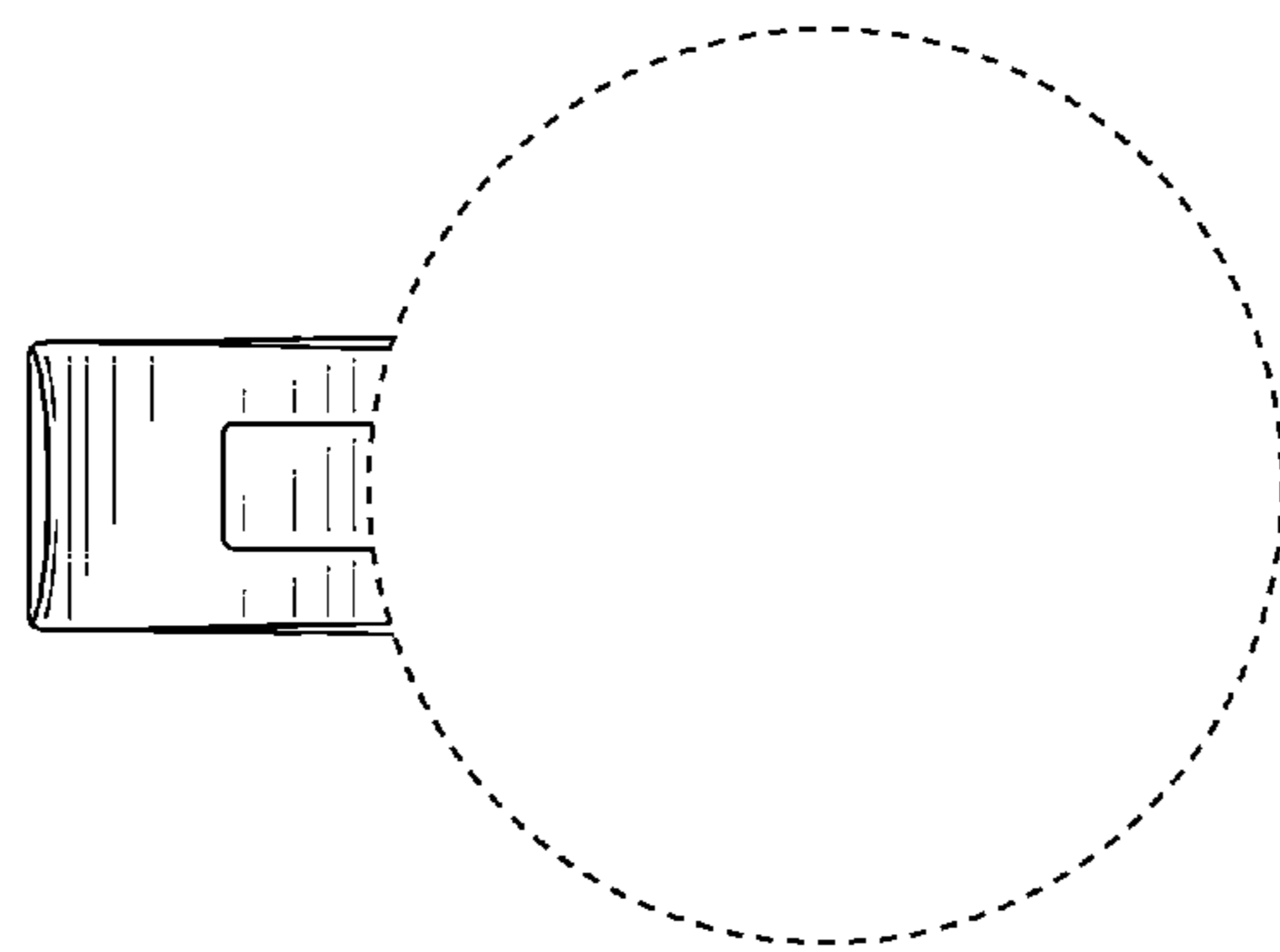


FIG. 4

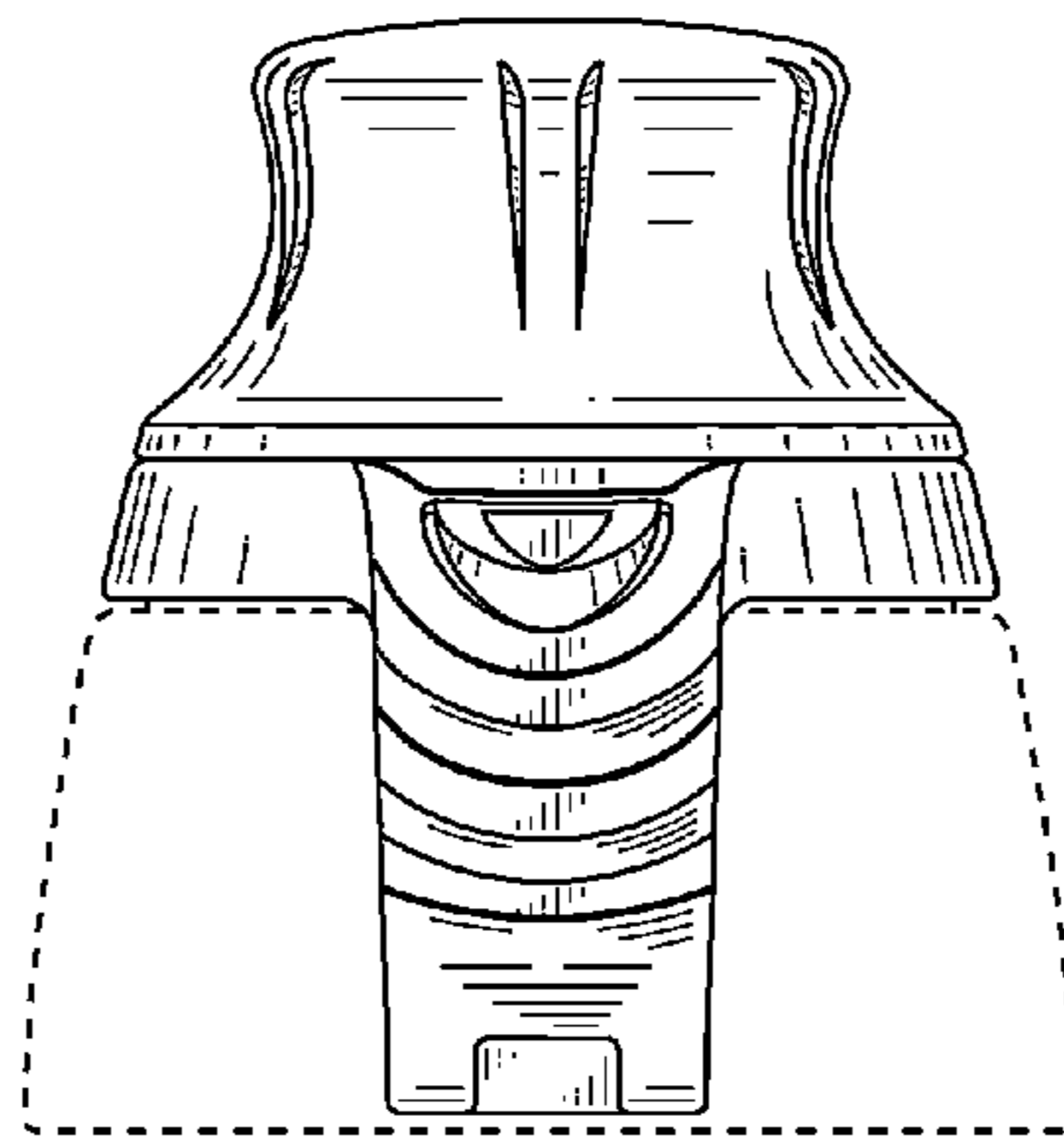


FIG. 5

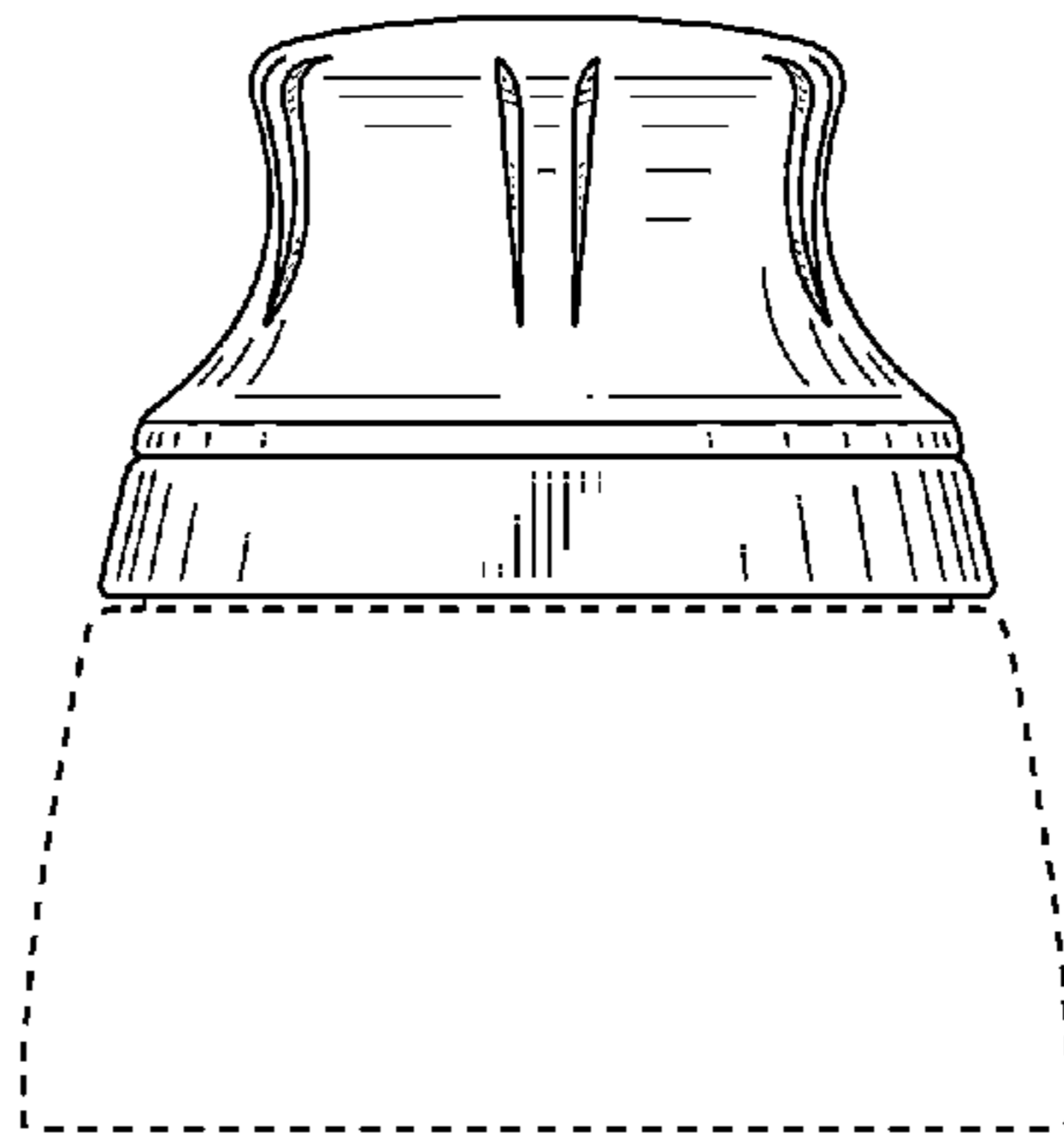


FIG. 6

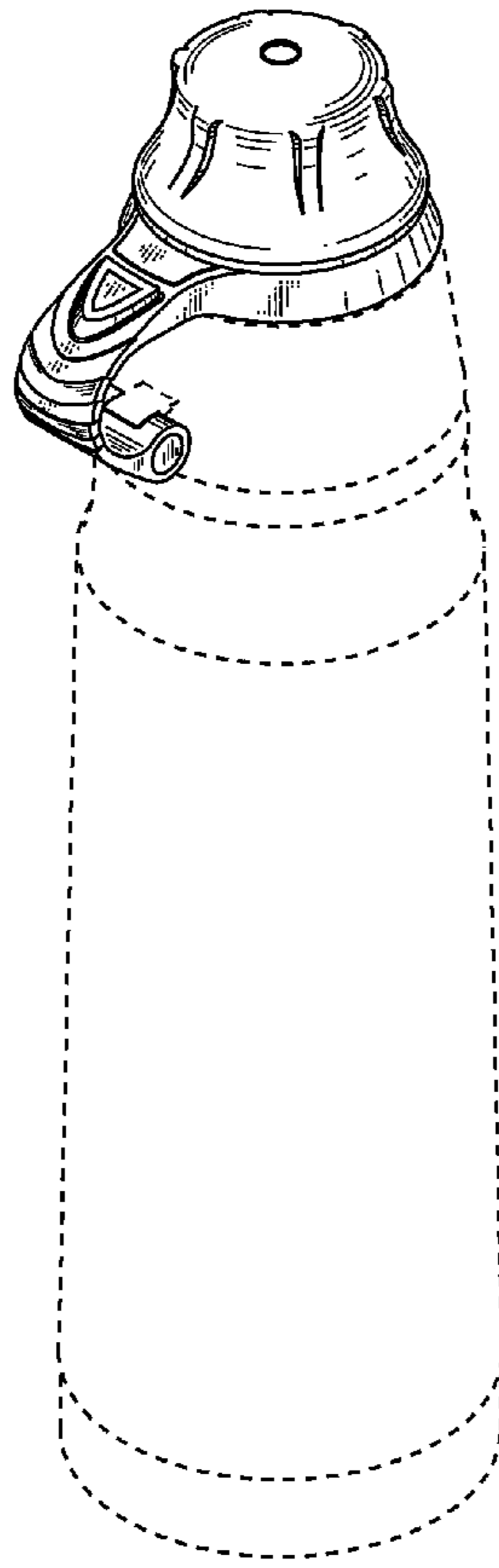


FIG. 7