



US00D672646S

(12) **United States Design Patent**  
**Vanden Boom et al.**

(10) **Patent No.:** **US D672,646 S**

(45) **Date of Patent:** **\*\* Dec. 18, 2012**

(54) **PACKAGE**

(75) Inventors: **Heidi Ellen Vanden Boom**, Appleton, WI (US); **Dayton Joel Henderson**, Appleton, WI (US); **Robert Eric MacDonald**, Kohler, WI (US); **Michael Patrick McCuskey**, Northbrook, IL (US); **Christine Marie Mau**, Neenah, WI (US)

(73) Assignee: **Kimberly-Clark Worldwide, Inc.**, Neenah, WI (US)

(\*\*) Term: **14 Years**

(21) Appl. No.: **29/357,012**

(22) Filed: **Mar. 5, 2010**

(51) **LOC (9) Cl.** ..... **09-07**

(52) **U.S. Cl.** ..... **D9/434**

(58) **Field of Classification Search** ..... D9/430-434, D9/414-418, 420-425, 600; D5/25, 56, D5/57, 64, 99, 7; D20/22, 40, 20, 23, 27; 206/278, 297, 299, 770, 737, 822, 457, 784, 206/551, 746; 229/100, 101, 106, 108, 101.2, 229/162.1, 992, 938

See application file for complete search history.

(56) **References Cited**

**U.S. PATENT DOCUMENTS**

3,003,388	A	10/1961	Hunter et al.
4,798,603	A	1/1989	Meyer et al.
5,176,668	A	1/1993	Bernardin
5,192,606	A	3/1993	Proxmire et al.
5,350,624	A	9/1994	Georger et al.
5,509,915	A	4/1996	Hanson et al.
5,599,338	A	2/1997	Enloe
5,745,922	A	5/1998	Rajala et al.
6,028,018	A	2/2000	Amundson et al.
6,568,530	B2	5/2003	Takahashi et al.
6,604,609	B2	8/2003	Bruce et al.

6,626,881	B2	9/2003	Shingu et al.
6,648,864	B2	11/2003	Ronn et al.
6,685,020	B2	2/2004	Briseboi et al.
6,763,944	B2	7/2004	Ronn et al.
D496,275	S *	9/2004	Hamuro et al. .... D9/432
D526,194	S *	8/2006	Hamuro et al. .... D9/432
7,211,071	B2	5/2007	Mishima et al.
7,222,732	B2	5/2007	Ronn et al.
7,427,277	B2	9/2008	Woltman et al.
D581,265	S *	11/2008	Rochel ..... D9/418
D587,111	S *	2/2009	Seol et al. .... D9/432
D590,250	S *	4/2009	Seol ..... D9/432
D594,741	S *	6/2009	Bracey ..... D9/418
7,549,538	B2	6/2009	Naoe et al.

(Continued)

**FOREIGN PATENT DOCUMENTS**

CA 2 634 134 A1 6/2002

(Continued)

**OTHER PUBLICATIONS**

Holben, Jay, "DV101: Eye of the Fresnel," Internet web page "http://www.dv.com/article/82460", May 5, 2009, pp. 1-3.

(Continued)

*Primary Examiner* — Robert M Spear

*Assistant Examiner* — Rashida C McCoy

(74) *Attorney, Agent, or Firm* — Sarah Ann Dressel

(57) **CLAIM**

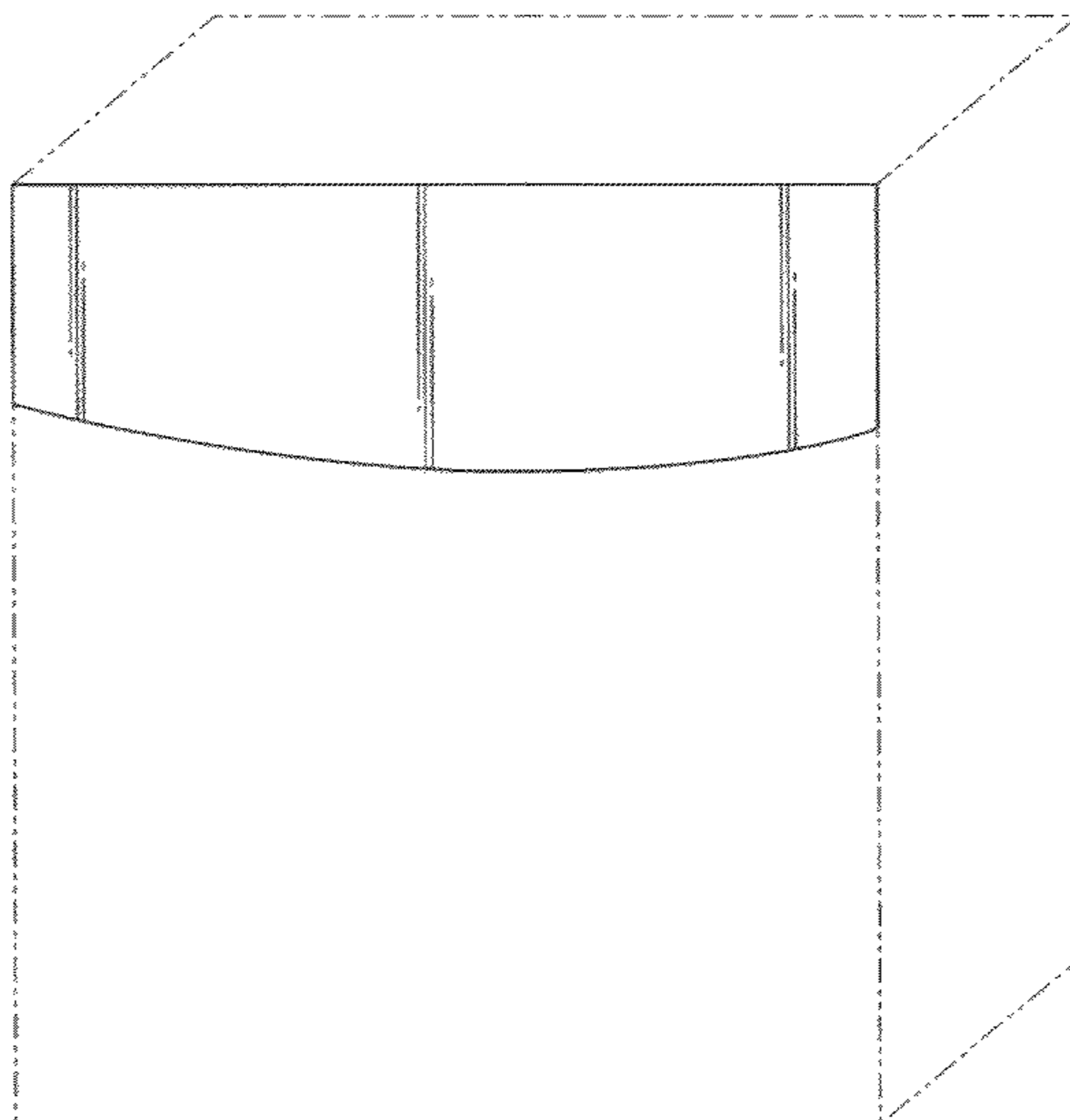
We claim the ornamental design for a package, as shown and described.

**DESCRIPTION**

The sole FIGURE is a perspective view of a package showing the ornamental design.

The broken lines in the drawings represent unclaimed environmental subject matter.

**1 Claim, 1 Drawing Sheet**



# US D672,646 S

Page 2

## U.S. PATENT DOCUMENTS

7,572,249 B2 8/2009 Betts  
7,582,075 B2 9/2009 Betts et al.  
D612,234 S \* 3/2010 Westemeyer ..... D9/434  
D621,702 S \* 8/2010 Tekulve et al. .... D9/432  
D623,057 S \* 9/2010 Kletz ..... D9/434  
2005/0059942 A1 3/2005 Krautkramer et al.  
2006/0069372 A1 3/2006 Chakravarty et al.  
2006/0193898 A1 8/2006 Norman  
2007/0012519 A1 1/2007 Angielski  
2007/0095705 A1 5/2007 Legault et al.  
2007/0095706 A1 5/2007 Legault et al.  
2007/0144937 A1 6/2007 Gilroy  
2007/0151182 A1 7/2007 Ronn et al.  
2007/0235263 A1 10/2007 Legault et al.  
2007/0251851 A1 11/2007 Warren et al.  
2008/0051750 A1 2/2008 Schagen et al.  
2008/0053857 A1 3/2008 Albano et al.  
2008/0082070 A1 4/2008 Fell et al.  
2008/0087569 A1 4/2008 Ponomarenko et al.  
2008/0110782 A1 5/2008 Burgdorf et al.  
2008/0110783 A1 5/2008 Burgdorf et al.  
2008/0128307 A1 6/2008 Betts et al.  
2008/0250681 A1 10/2008 Jackson  
2008/0264824 A1 10/2008 Alejandra  
2008/0277295 A1 11/2008 Benson et al.  
2009/0054864 A1 2/2009 Lira et al.  
2009/0204090 A1 8/2009 Dennis et al.

2009/0261009 A1 10/2009 Betts  
2009/0266733 A1 10/2009 Betts et al.  
2010/0018099 A1 1/2010 Lang et al.  
2010/0072108 A1 3/2010 Underhill et al.

## FOREIGN PATENT DOCUMENTS

CA 2 599 561 A1 9/2006  
CA 2 627 633 A1 5/2007  
CA 2 651 074 A1 11/2007  
CA 2 598 907 A1 2/2008  
CA 2 667 034 A1 4/2008  
CA 2 346 204 C 8/2008  
CA 2 429 757 C 4/2009  
CA 2 347 288 C 7/2009  
DE 10 2007 040 244 A1 2/2009  
WO WO 2009/147905 A1 12/2009

## OTHER PUBLICATIONS

Hunter, Richard S., "Photoelectric Color Difference Meter," *Journal of the Optical Society of America*, vol. 48, No. 12, American Institute of Physics Inc., Dec. 1958, pp. 985-996.

MamyPoko products, Internet web page "[http://www.mamypokoclub.com/Menu\\_Console/Content\\_Management/firmContentRender.aspx?PageID=44](http://www.mamypokoclub.com/Menu_Console/Content_Management/firmContentRender.aspx?PageID=44)", 2008, pp. 1-2.

\* cited by examiner

