



US00D672643S

(12) **United States Design Patent**  
**Giraud**

(10) **Patent No.:** **US D672,643 S**

(45) **Date of Patent:** **\*\* Dec. 18, 2012**

(54) **CONTAINER**

**DESCRIPTION**

(75) Inventor: **Jean-Pierre Giraud**, Auburn, AL (US)

(73) Assignee: **CSP Technologies, Inc.**, Auburn, AL (US)

(\*\*) Term: **14 Years**

(21) Appl. No.: **29/400,317**

(22) Filed: **Aug. 26, 2011**

(51) **LOC (9) Cl.** ..... **09-03**

(52) **U.S. Cl.** ..... **D9/421**

(58) **Field of Classification Search** ..... 222/173,  
222/180; 221/26, 33, 45, 63, 282-284; 206/225,  
206/233, 389, 391, 409, 494, 812, 824; 211/13.1,  
211/45; 224/925; 242/570, 590; 248/309.1,  
248/309.2, 905; D12/17, 19; D3/273, 294,  
D3/318; D9/420, 421, 423, 549, 734; D6/512,  
D6/515-523

See application file for complete search history.

(56) **References Cited**

**U.S. PATENT DOCUMENTS**

D534,421 S *	1/2007	Tanner	.....	D9/420
D566,395 S *	4/2008	Langer et al.	.....	D3/294
D621,697 S *	8/2010	Giraud et al.	.....	D9/423
D623,050 S *	9/2010	Giraud et al.	.....	D9/420
D623,051 S *	9/2010	Giraud et al.	.....	D9/420
D623,052 S *	9/2010	Giraud et al.	.....	D9/420
D623,053 S *	9/2010	Giraud et al.	.....	D9/420
D658,377 S *	5/2012	Corwin et al.	.....	D3/302
8,220,625 B2 *	7/2012	Michaels et al.	.....	206/233

\* cited by examiner

*Primary Examiner* — Thomas Johannes

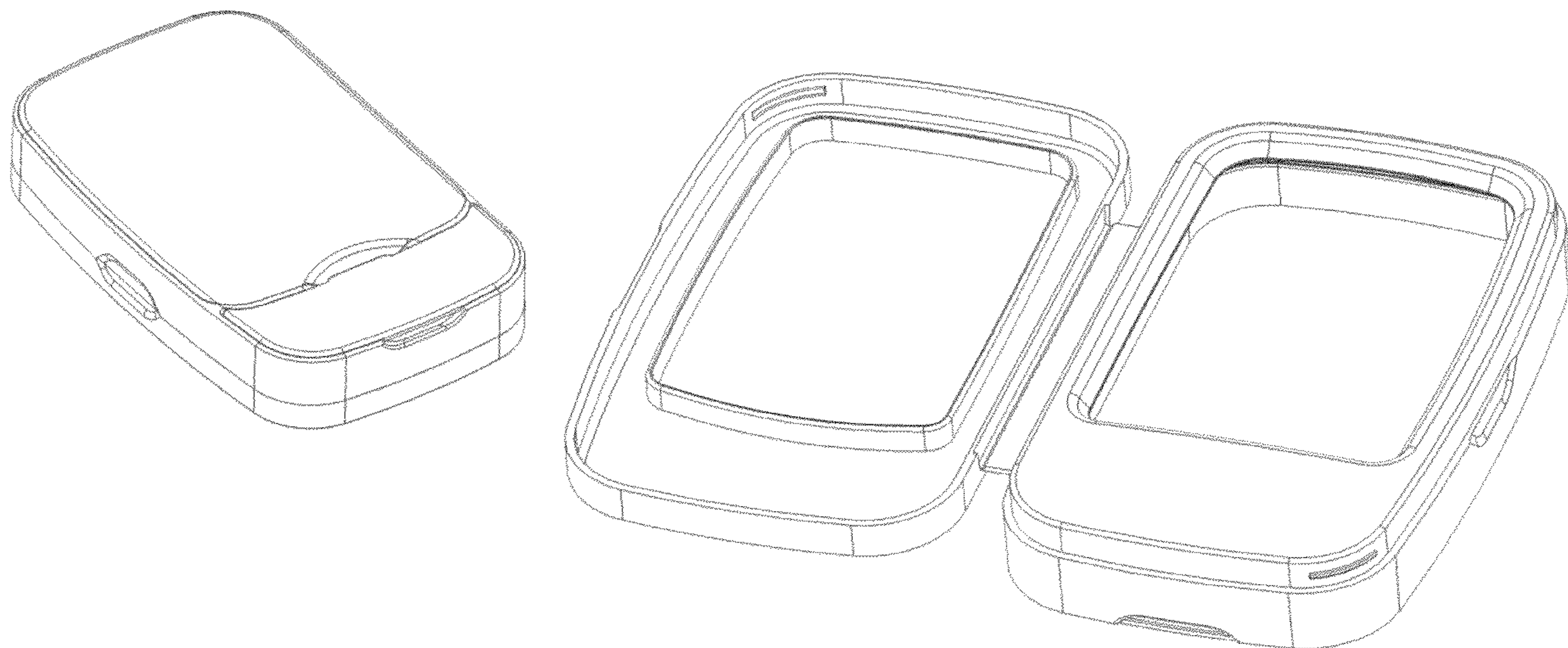
(74) *Attorney, Agent, or Firm* — Alissa L. Saenz

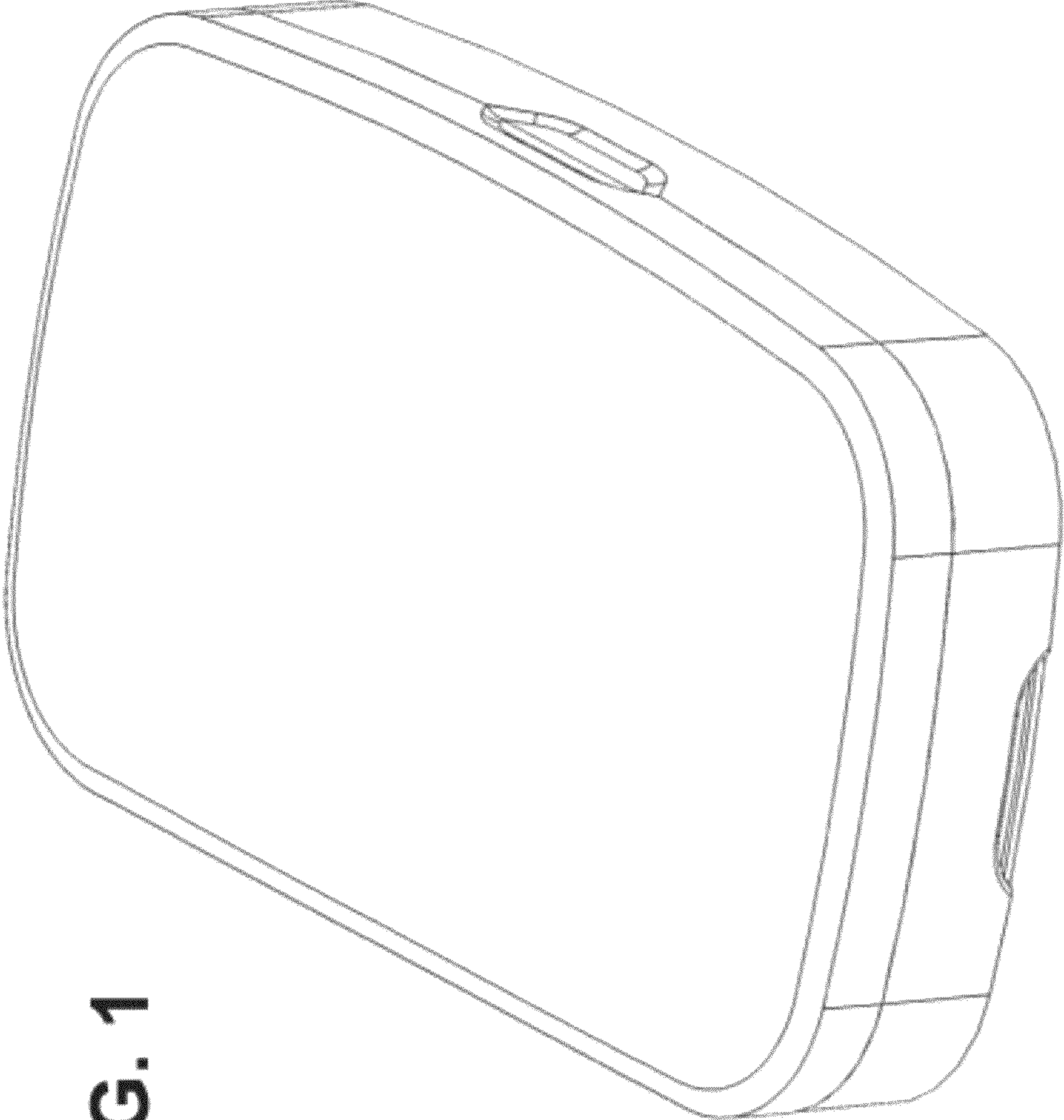
(57) **CLAIM**

The ornamental design for a container, as shown and described.

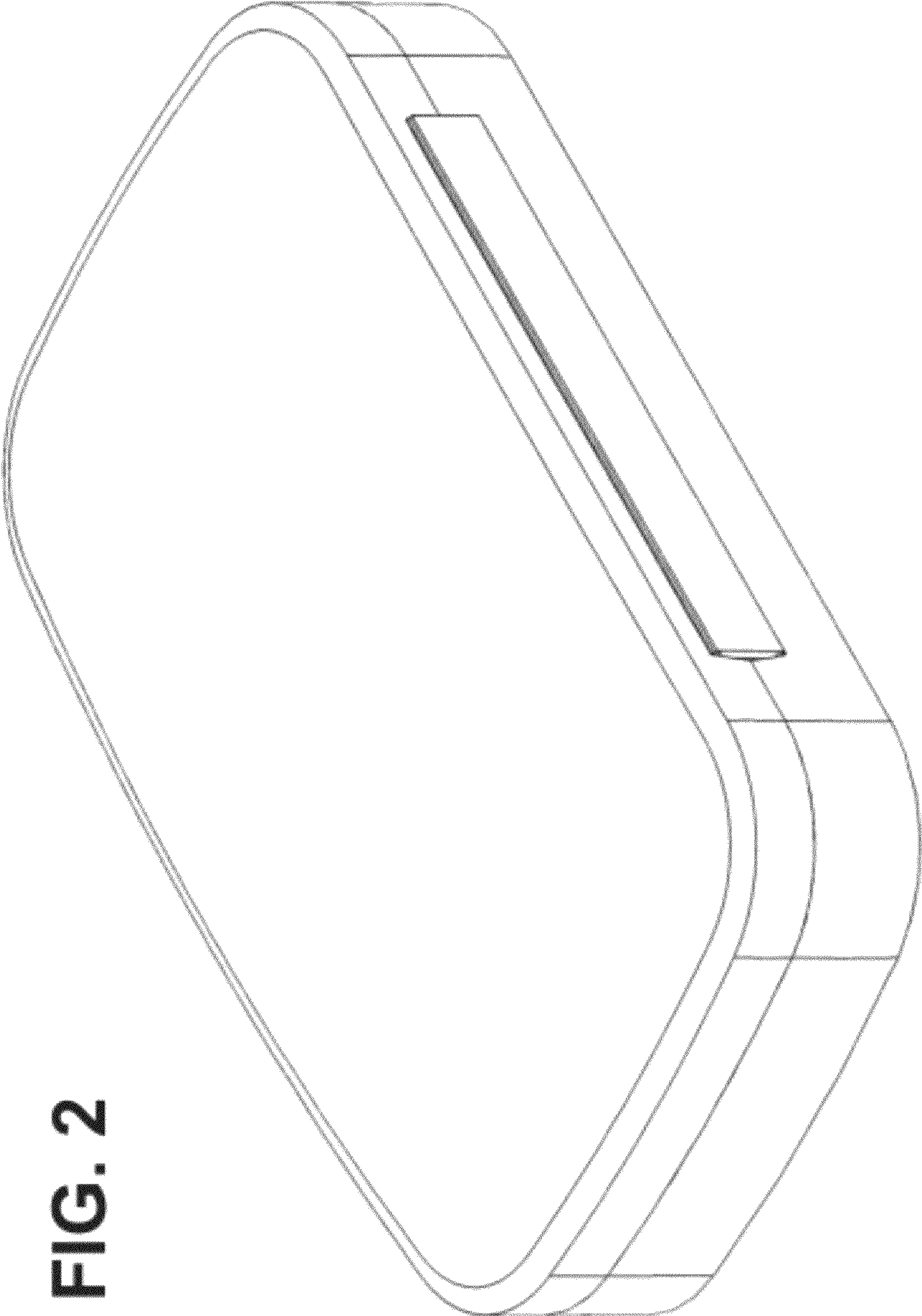
FIG. 1 is a top, left side perspective view of the container, in a closed position;  
 FIG. 2 is a top, rear perspective view thereof;  
 FIG. 3 is a right side elevation thereof;  
 FIG. 4 is a rear elevation thereof;  
 FIG. 5 is a left side elevation thereof;  
 FIG. 6 is a top plan view thereof;  
 FIG. 7 is a front elevation thereof;  
 FIG. 8 is a bottom plan view thereof;  
 FIG. 9 is a bottom, left side perspective view thereof;  
 FIG. 10 is a bottom, right side perspective view thereof;  
 FIG. 11 is a top, rear perspective view of the container, in a partially opened position;  
 FIG. 12 is a top, left side perspective view thereof;  
 FIG. 13 is a right side elevation thereof;  
 FIG. 14 is a rear elevation thereof;  
 FIG. 15 is a left side elevation thereof;  
 FIG. 16 is a top plan view thereof;  
 FIG. 17 is a front elevation thereof;  
 FIG. 18 is a bottom plan view thereof;  
 FIG. 19 is a bottom, left side perspective view thereof;  
 FIG. 20 is a bottom, right side perspective view thereof;  
 FIG. 21 is a top, left side perspective view of the container, in an opened position;  
 FIG. 22 is a top, rear perspective view thereof;  
 FIG. 23 is a right side elevation thereof;  
 FIG. 24 is a rear elevation thereof;  
 FIG. 25 is a left side elevation thereof;  
 FIG. 26 is a top plan view thereof;  
 FIG. 27 is a front elevation thereof;  
 FIG. 28 is a bottom plan view thereof;  
 FIG. 29 is a bottom, left side perspective view thereof; and,  
 FIG. 30 is a bottom, right side perspective view thereof.

**1 Claim, 30 Drawing Sheets**



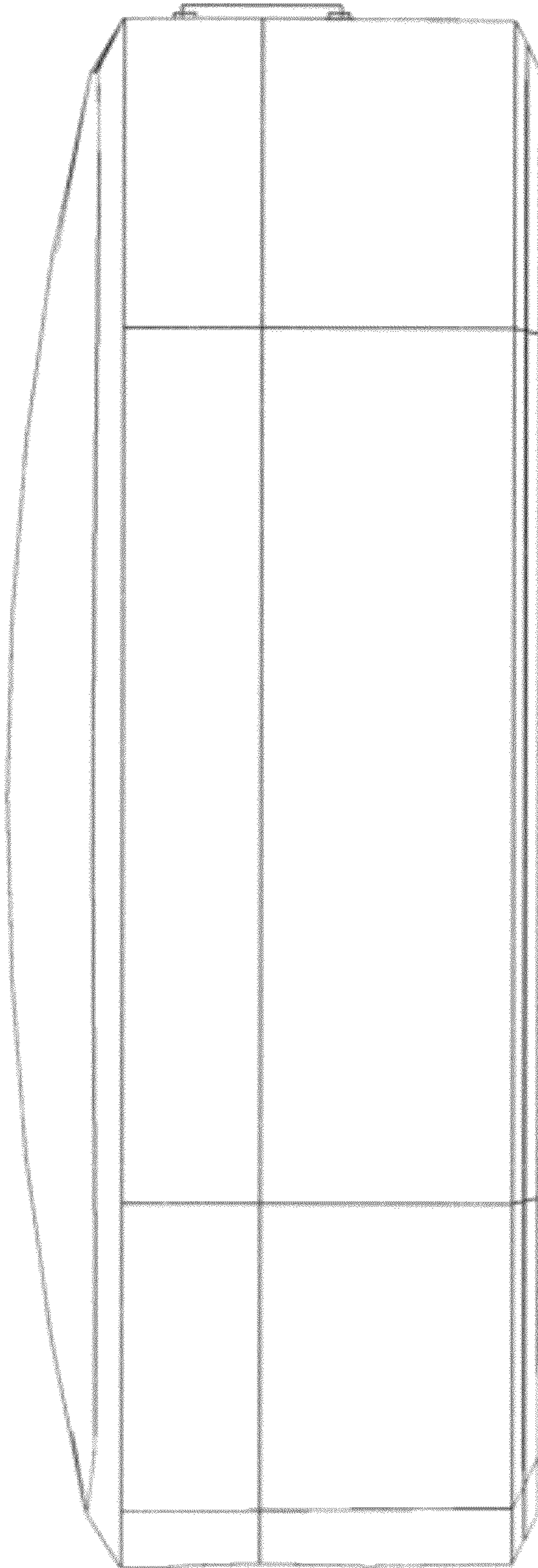


**FIG. 1**



**FIG. 2**

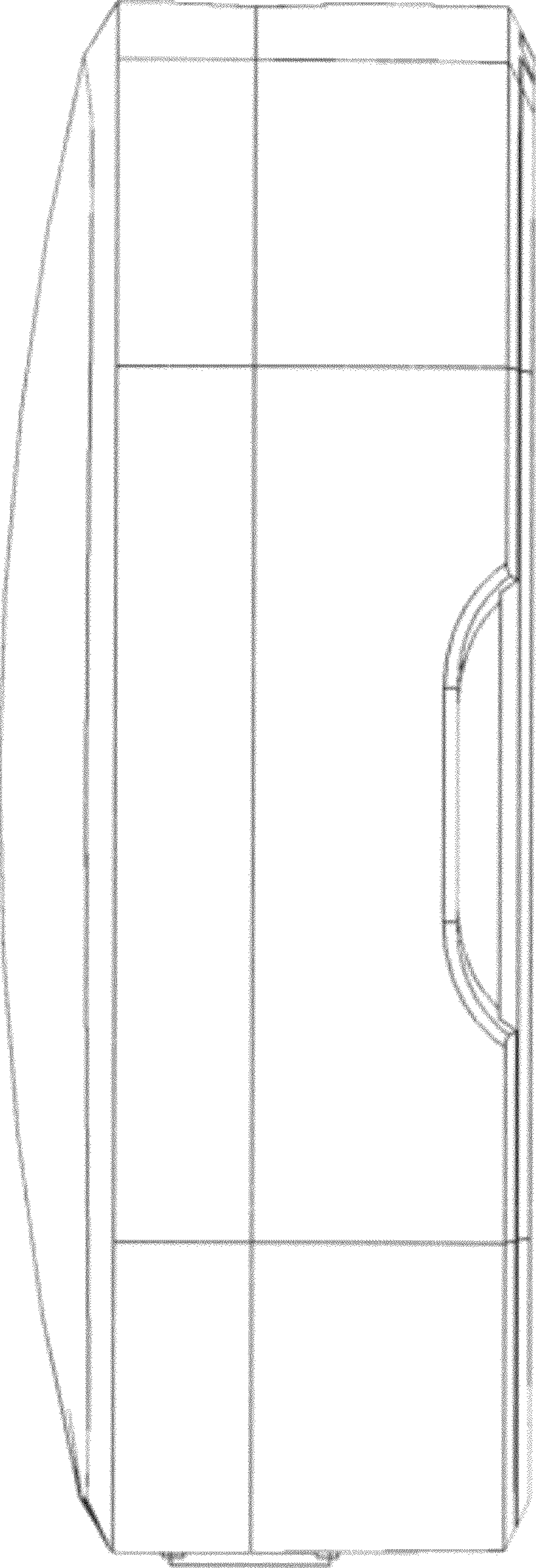
**FIG. 3**



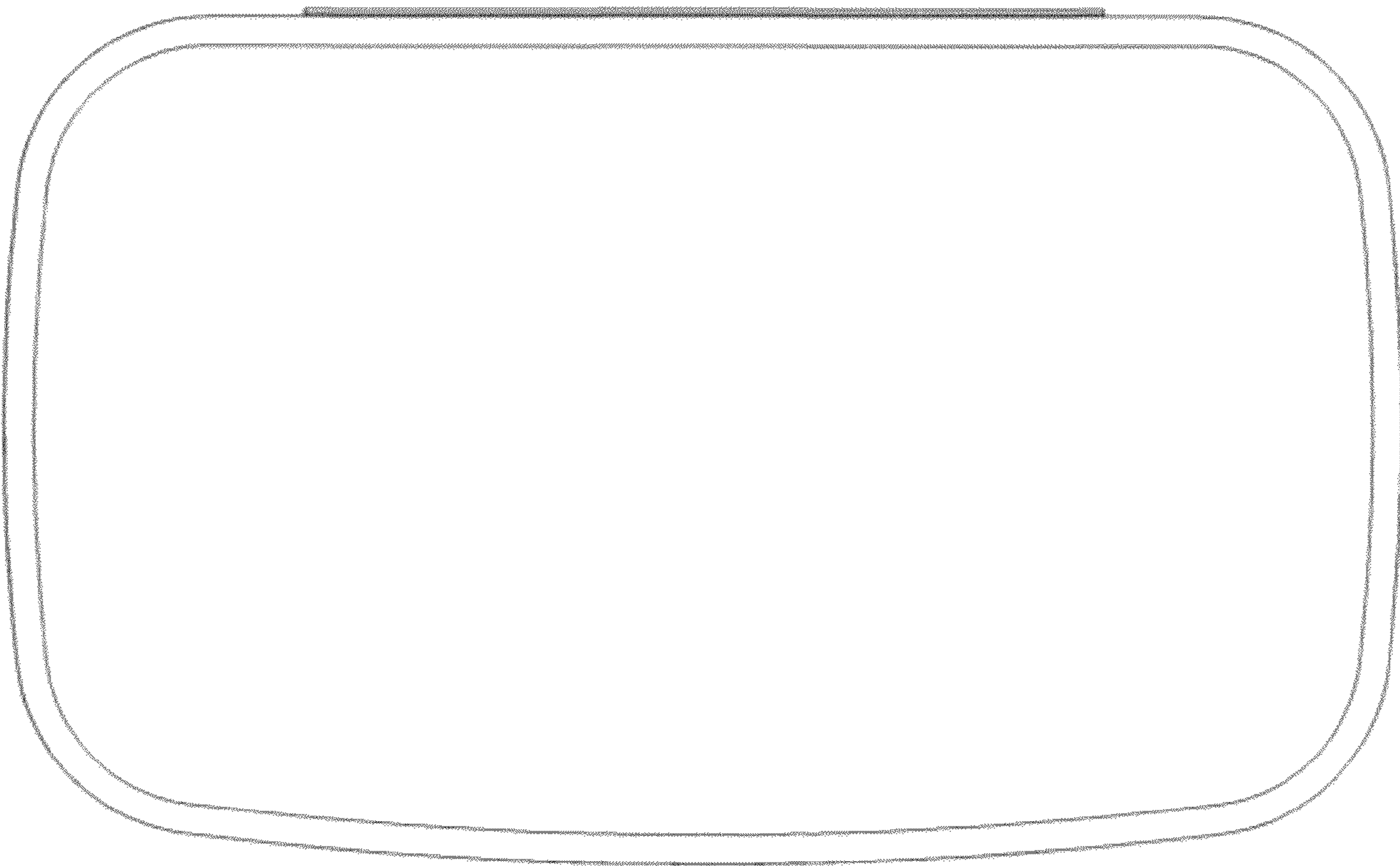
**FIG. 4**



**FIG. 5**



**FIG. 6**



**FIG. 7**

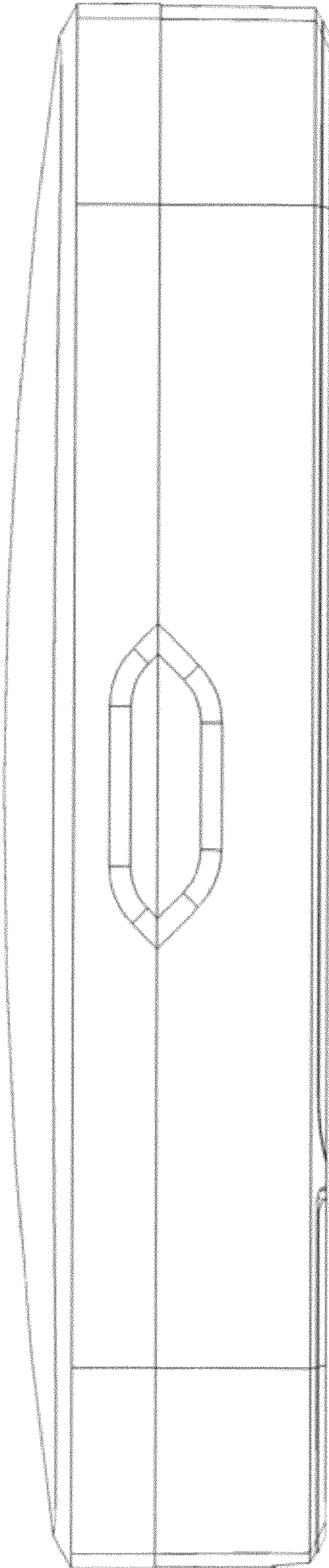
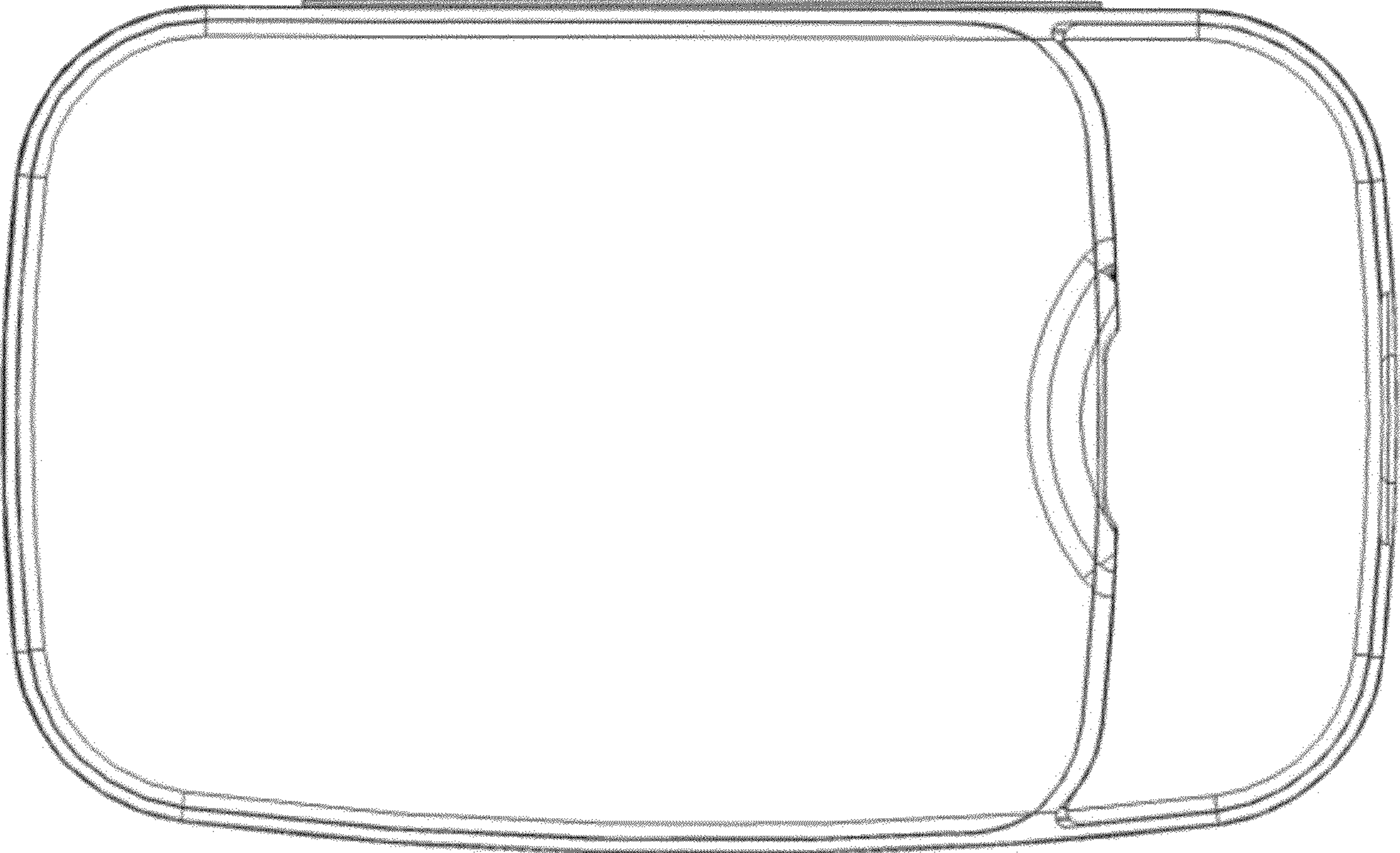
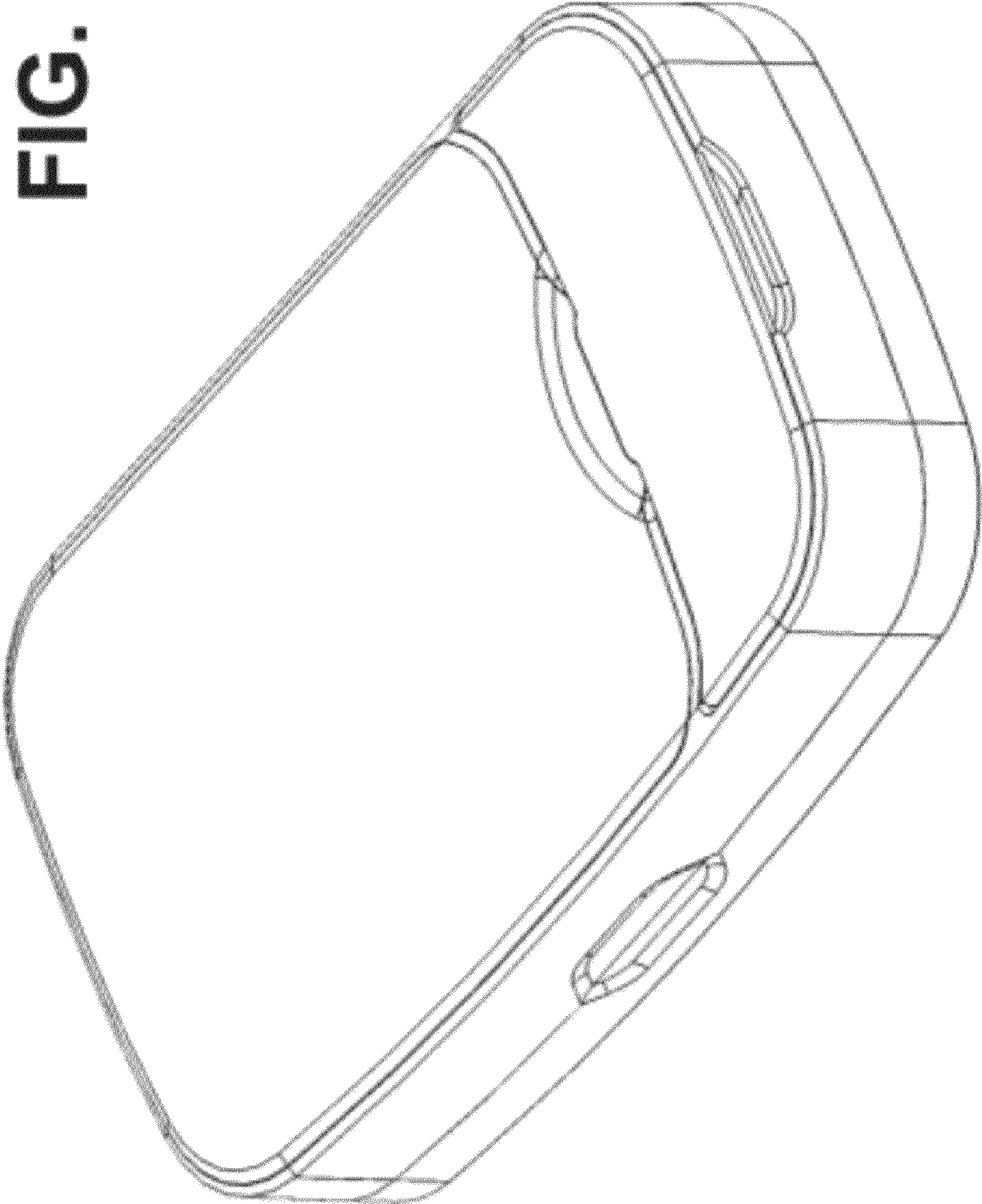




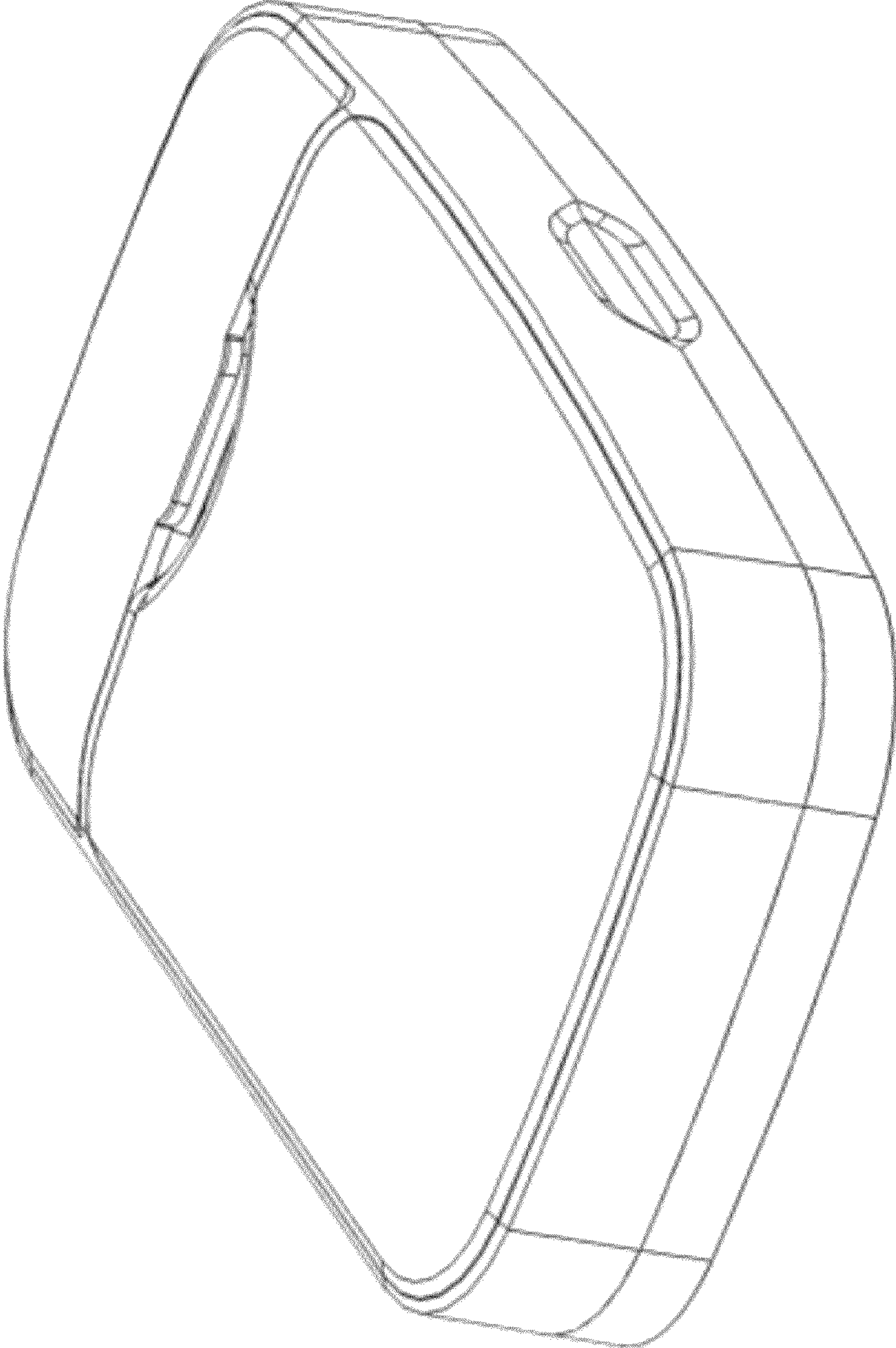
FIG. 8



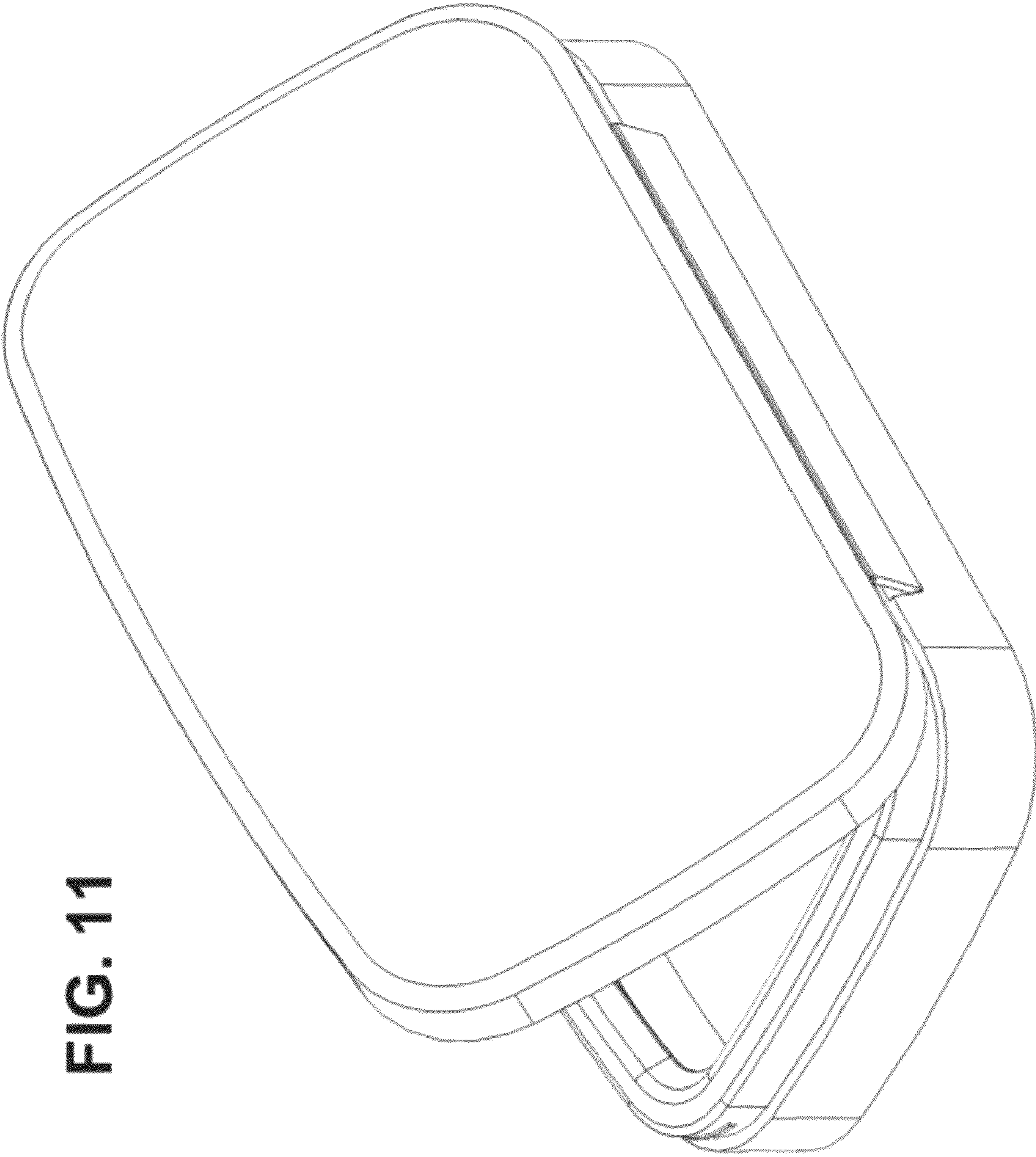
**FIG. 9**

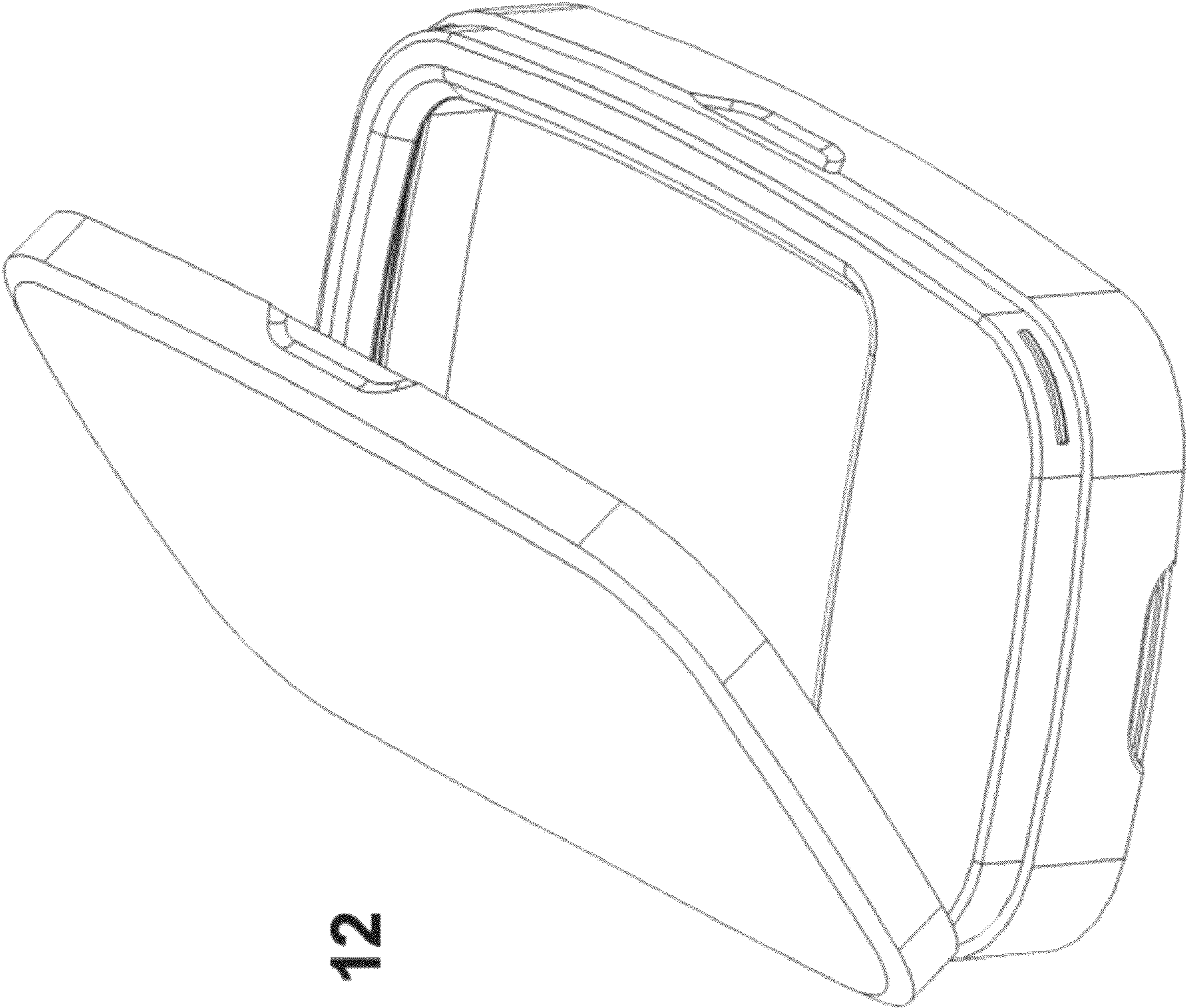


**FIG. 10**



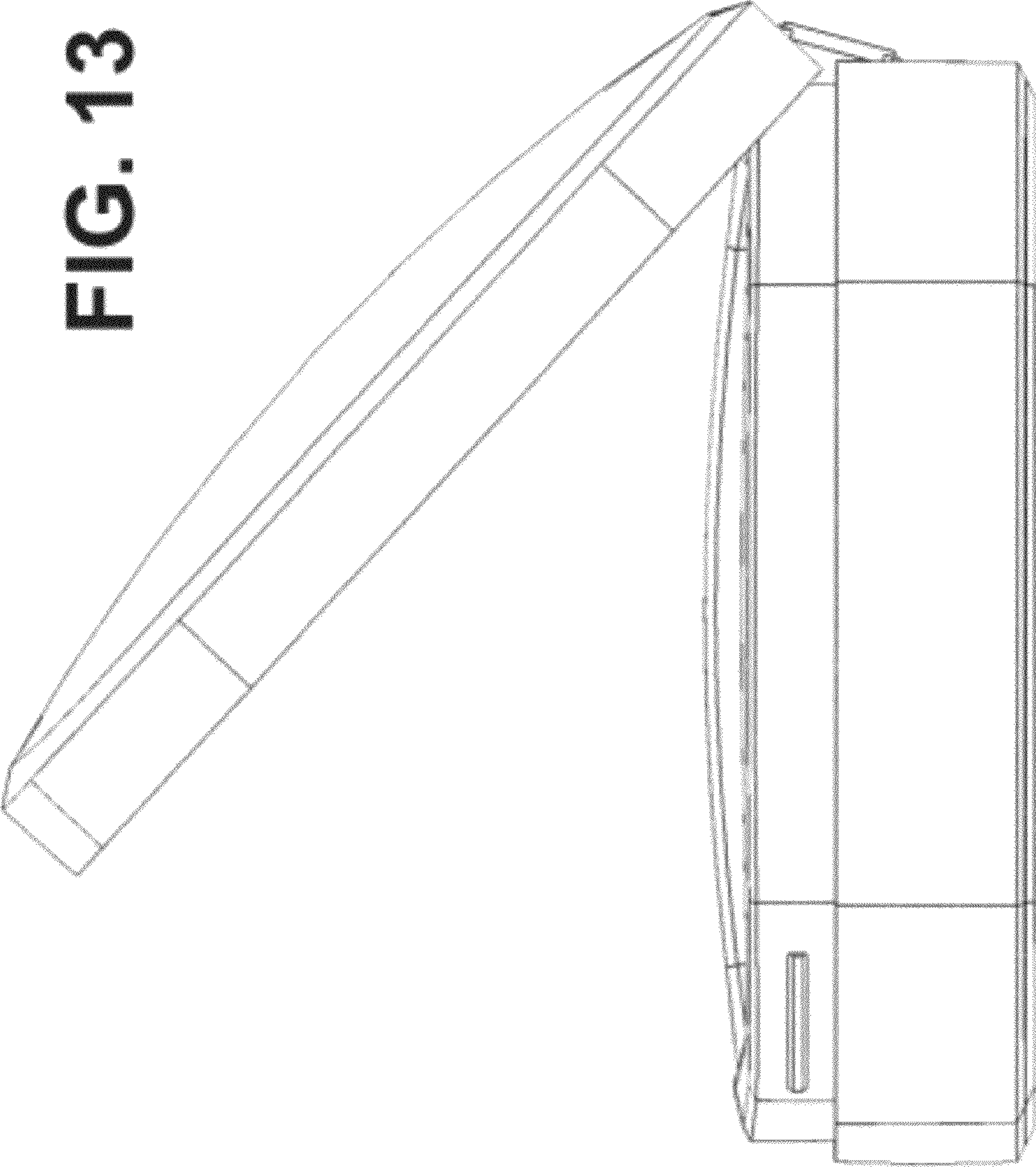
**FIG. 11**



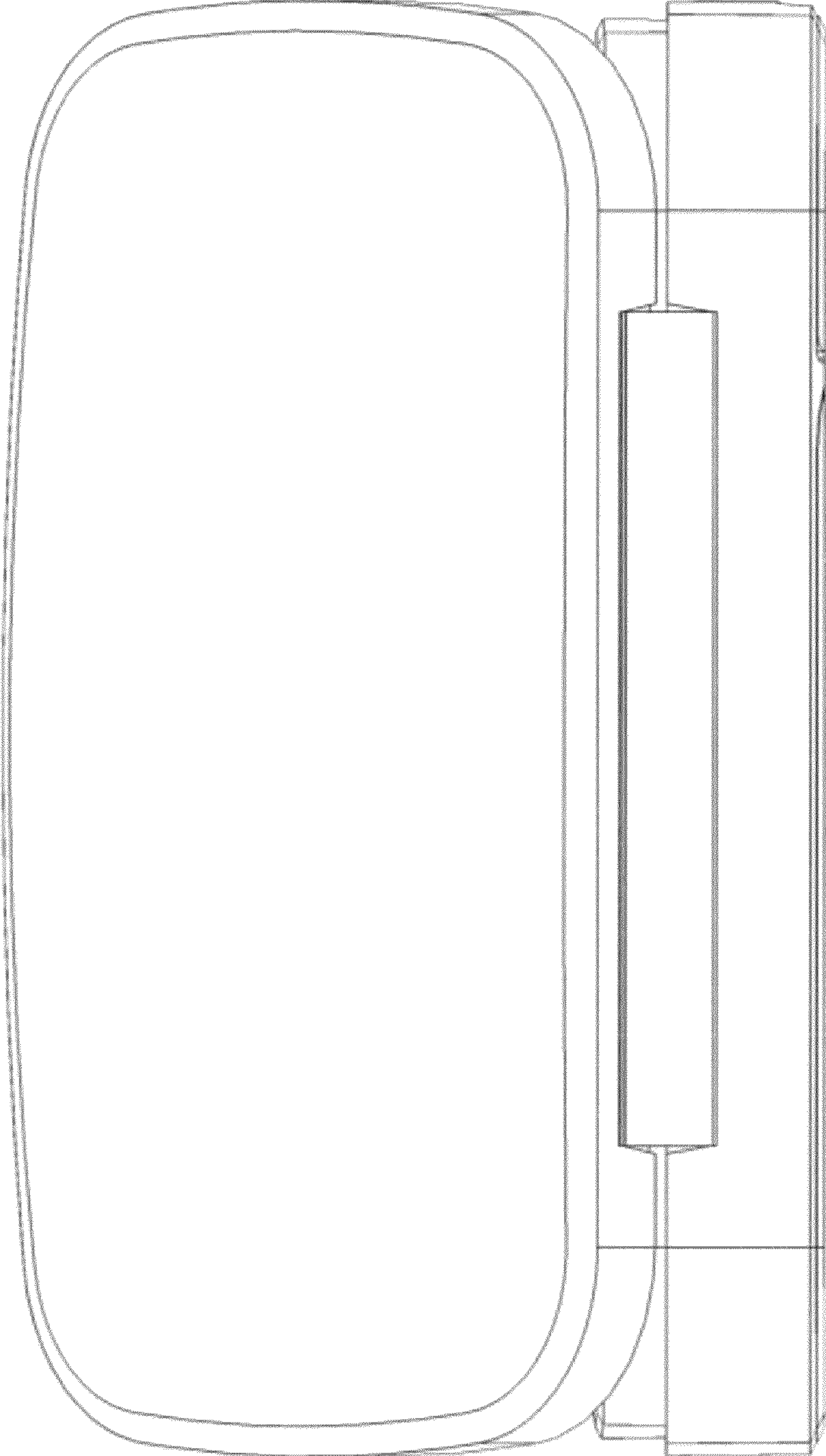


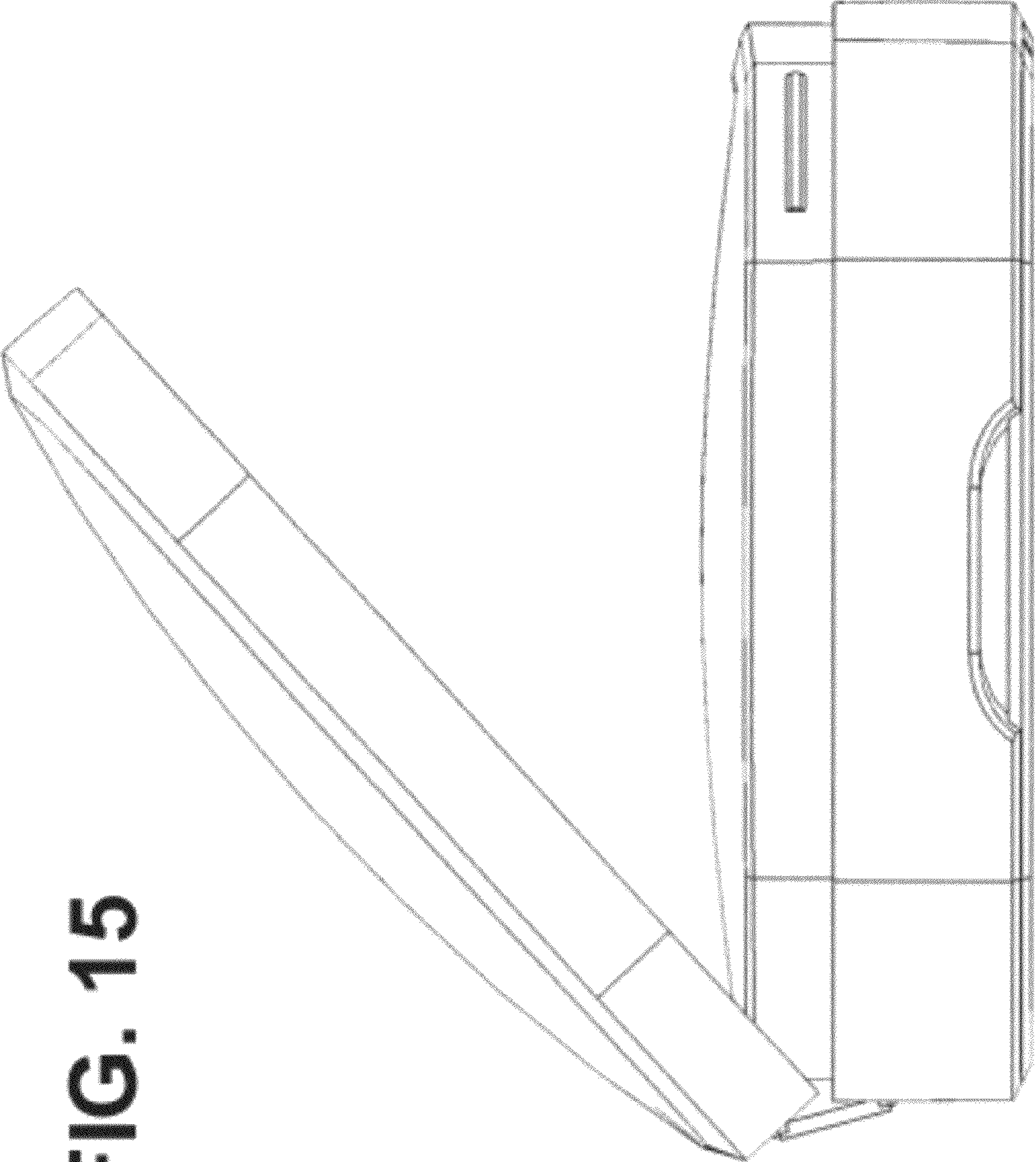
**FIG. 12**

**FIG. 13**



**FIG. 14**

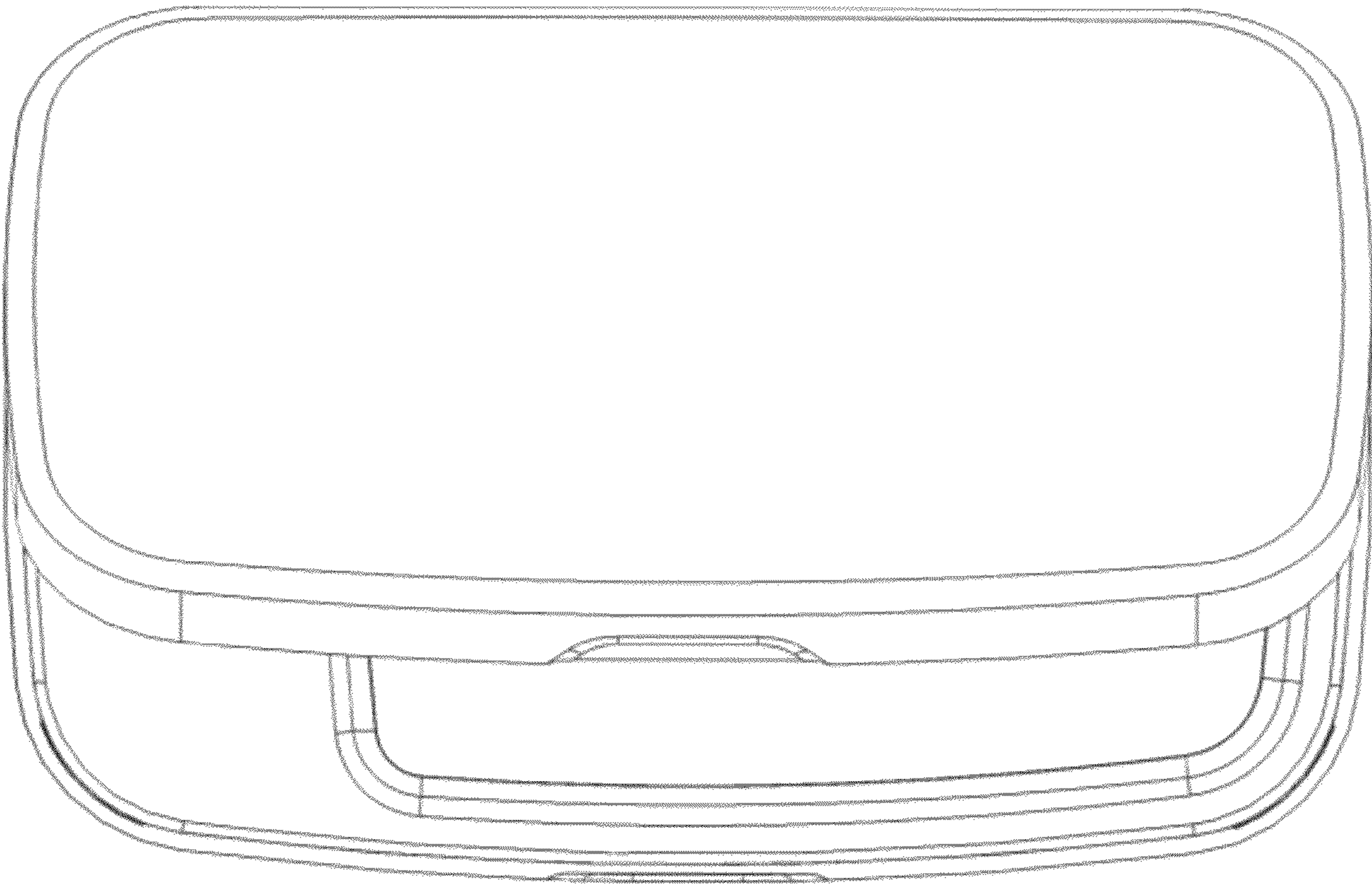




**FIG. 15**



**FIG. 16**



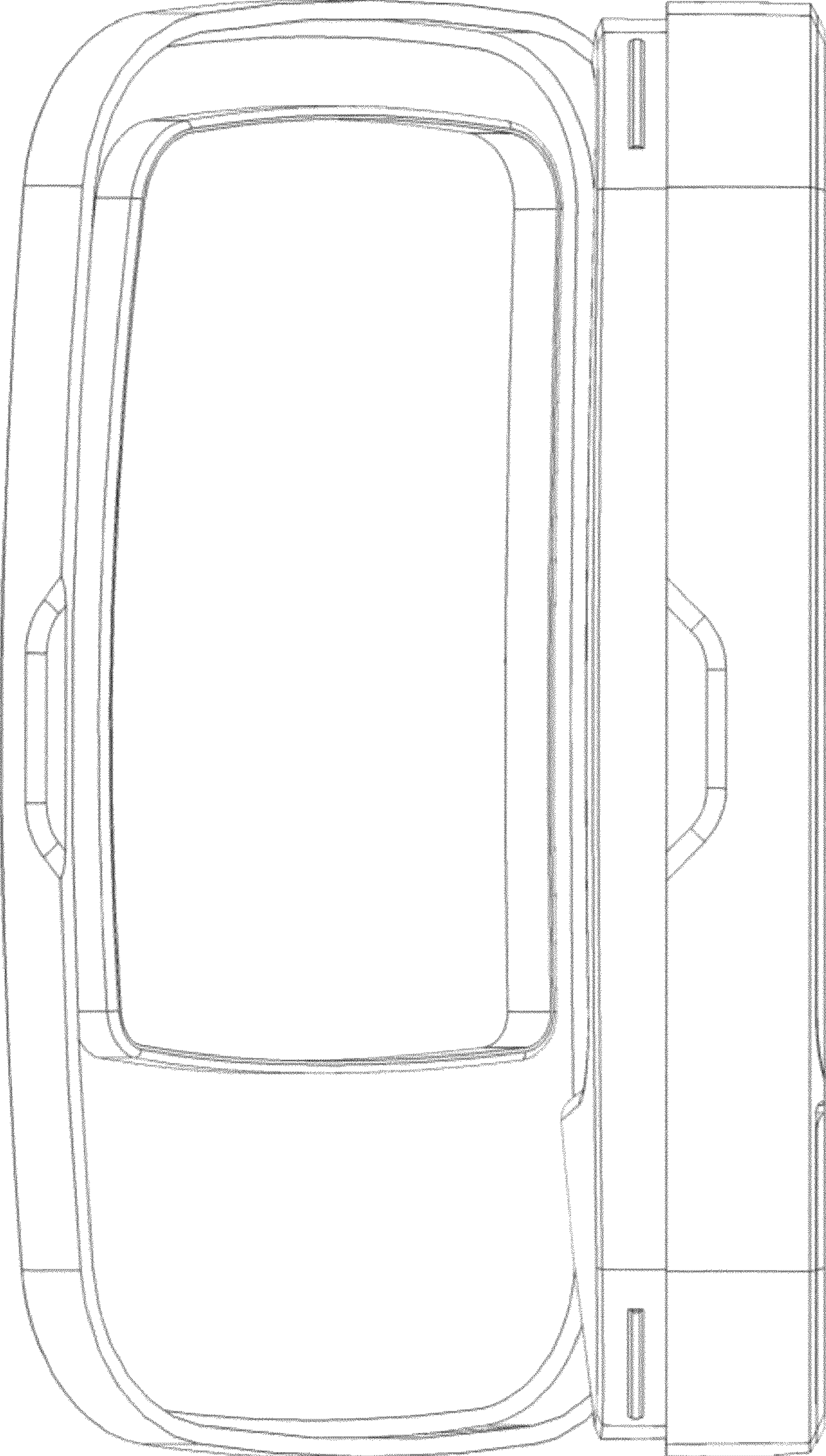
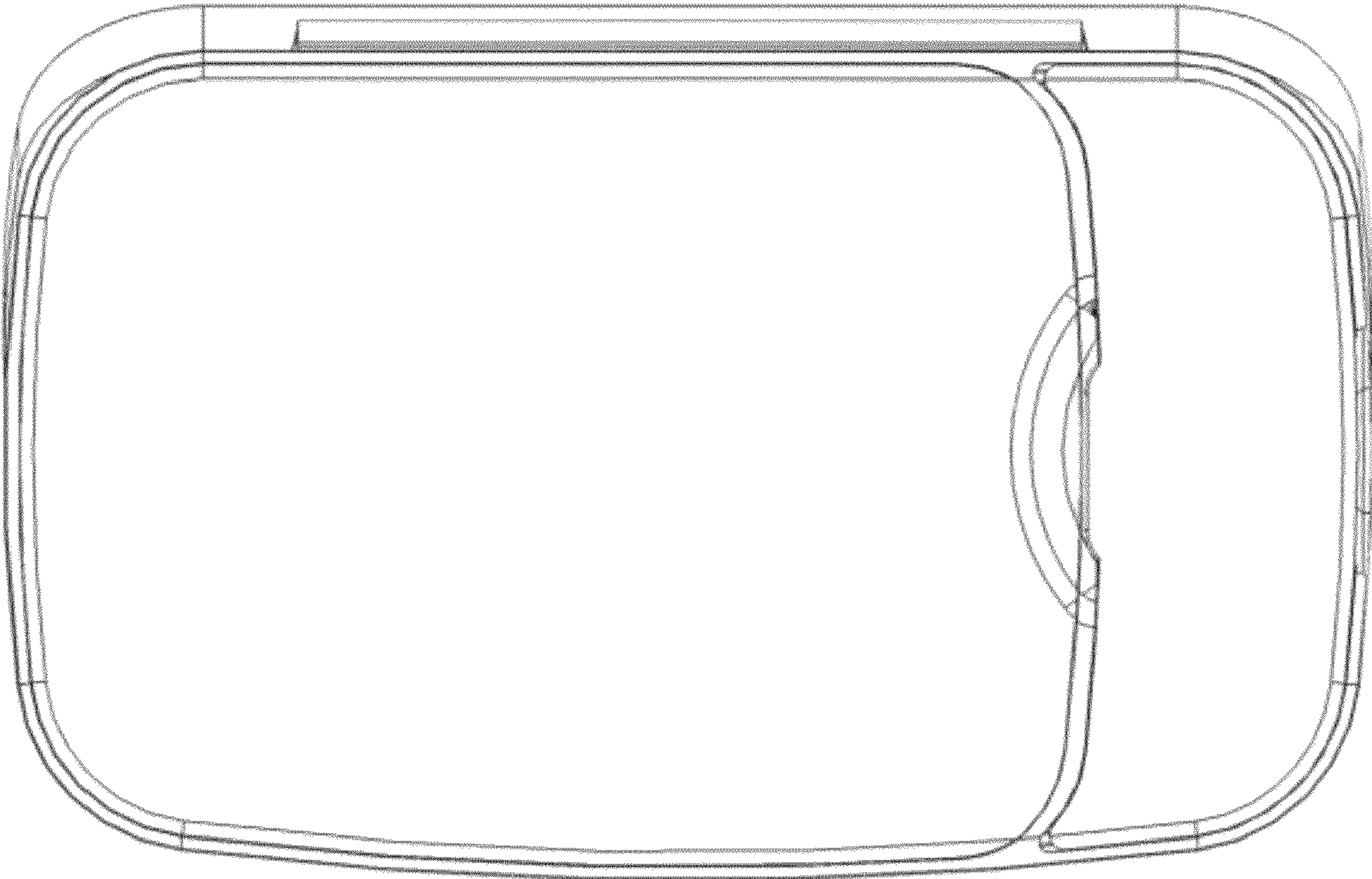
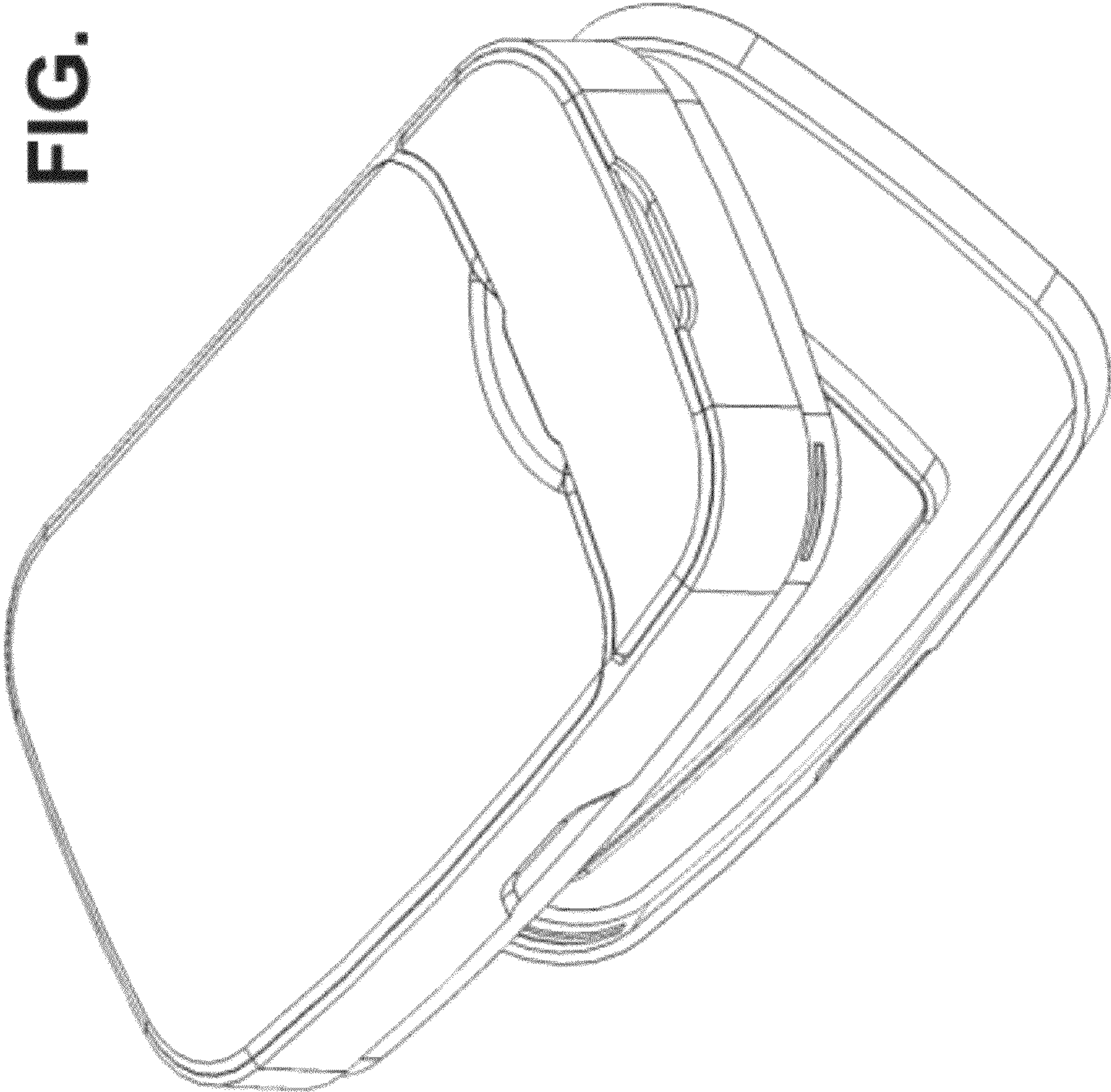


FIG. 17

**FIG. 18**



**FIG. 19**



**FIG. 20**

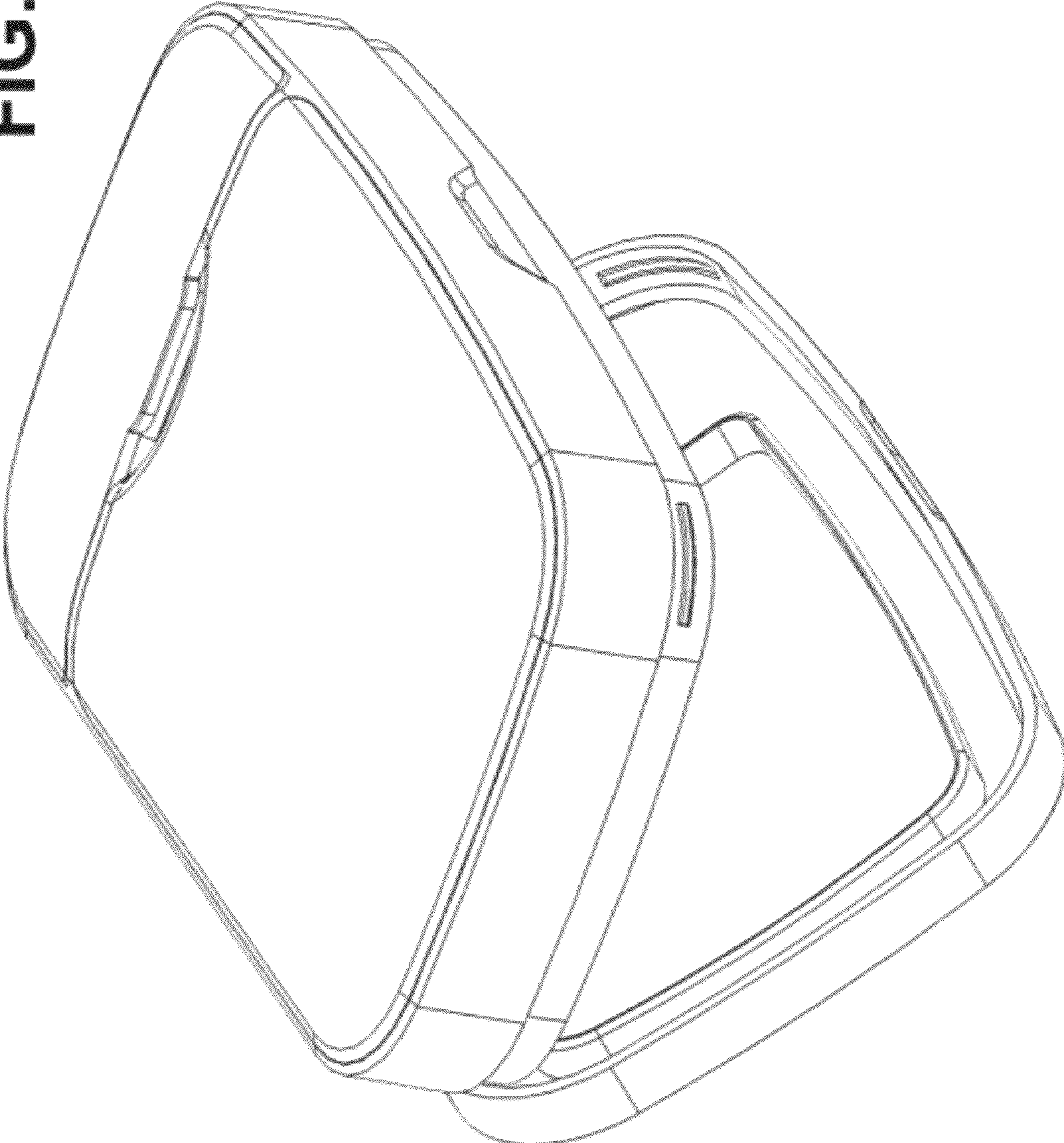


FIG. 21

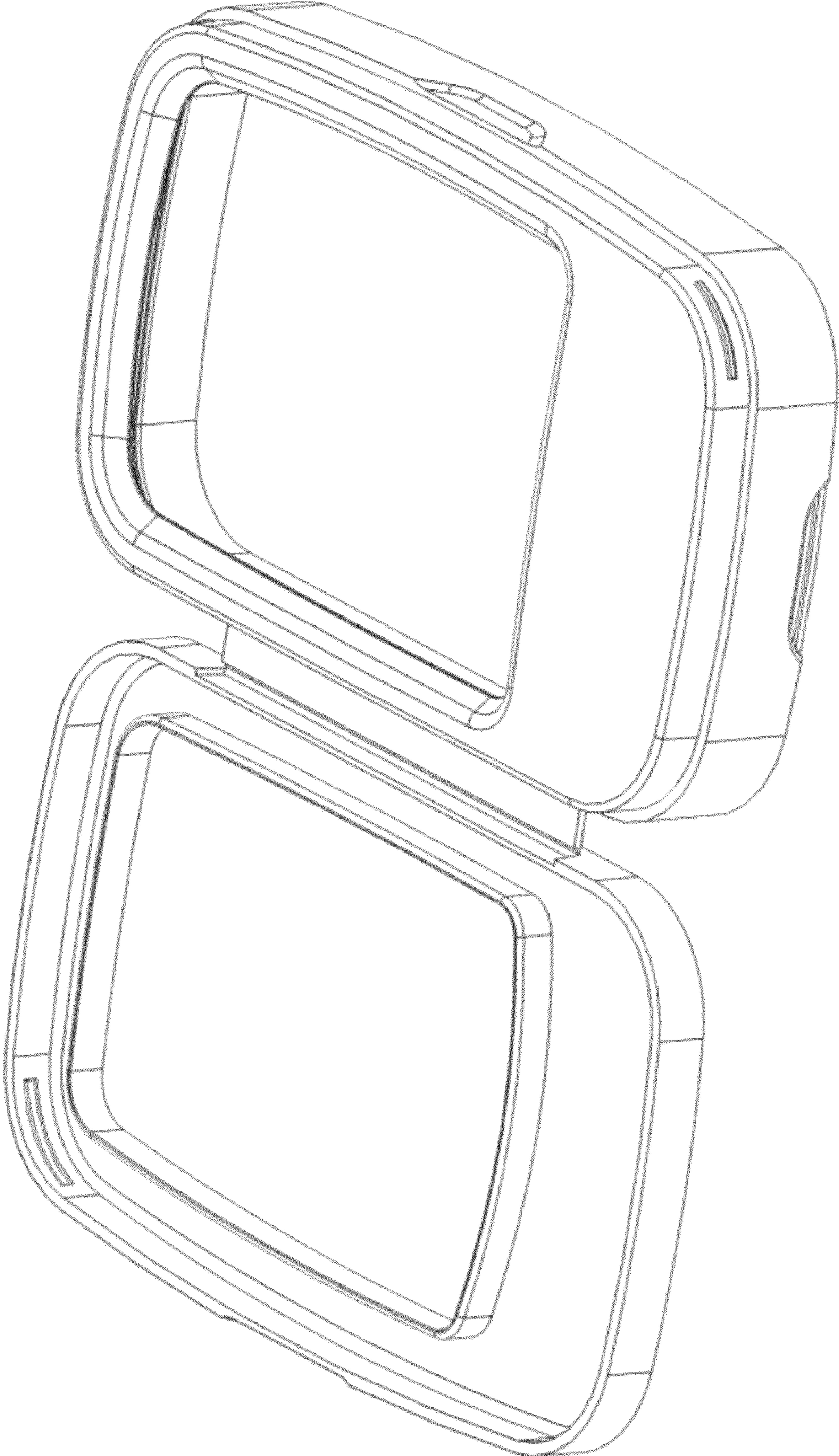
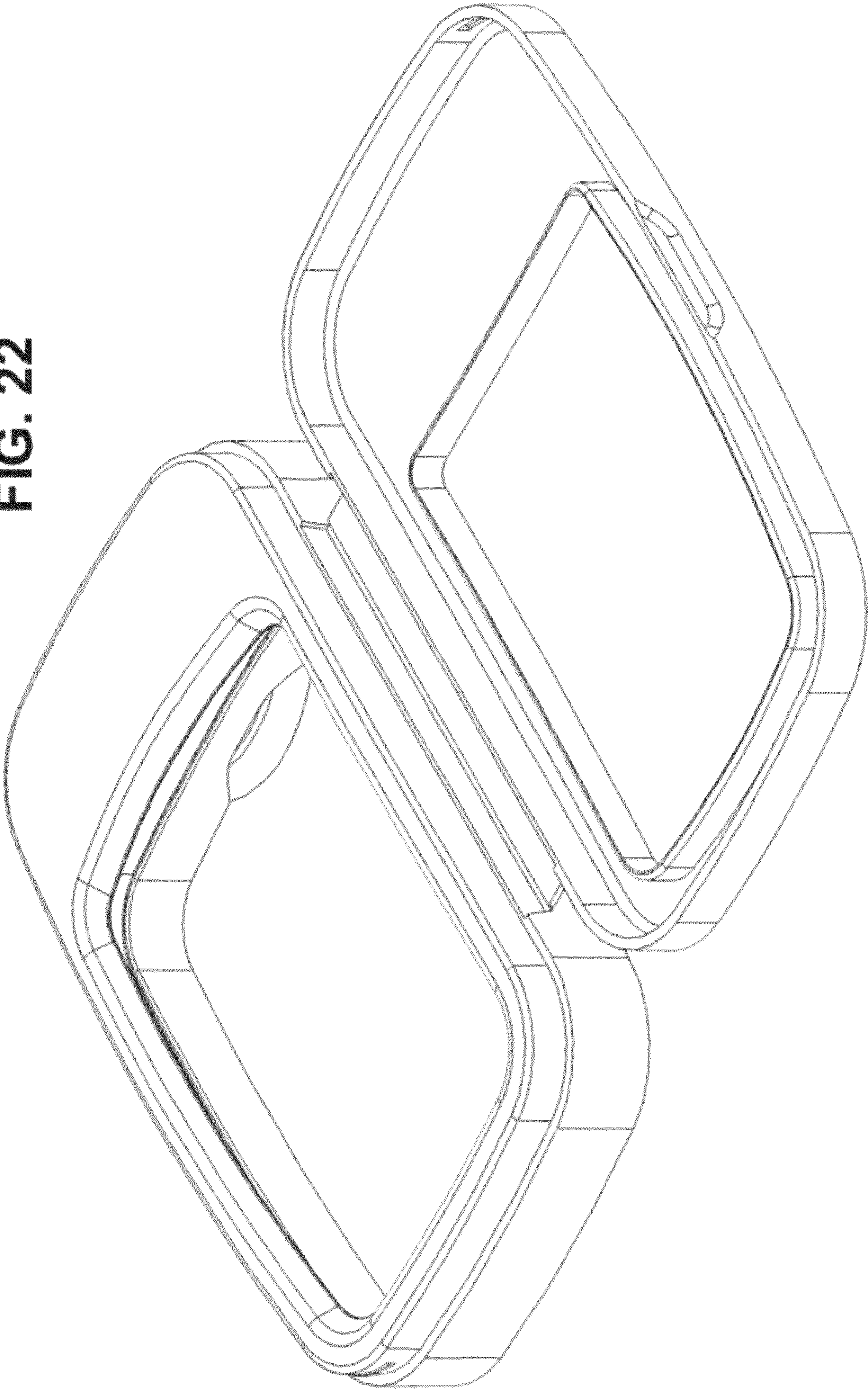
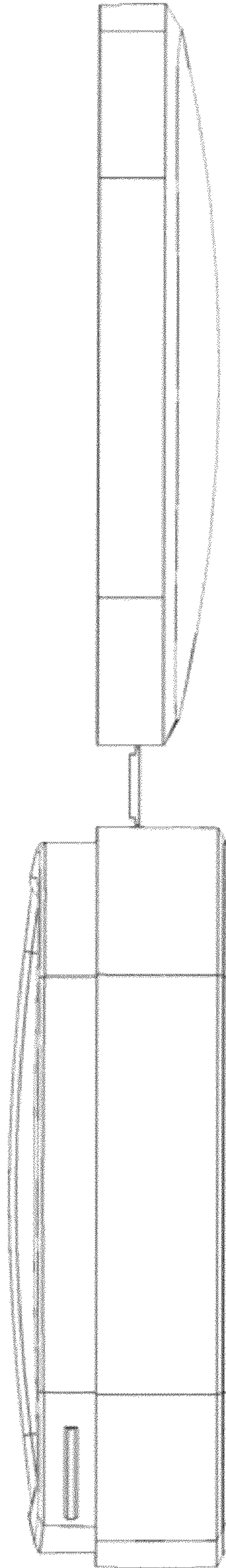


FIG. 22

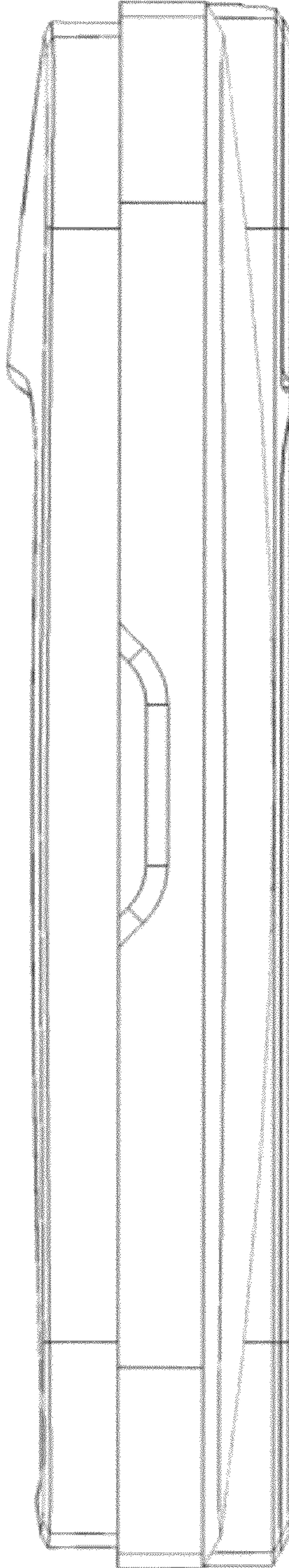


**FIG. 23**

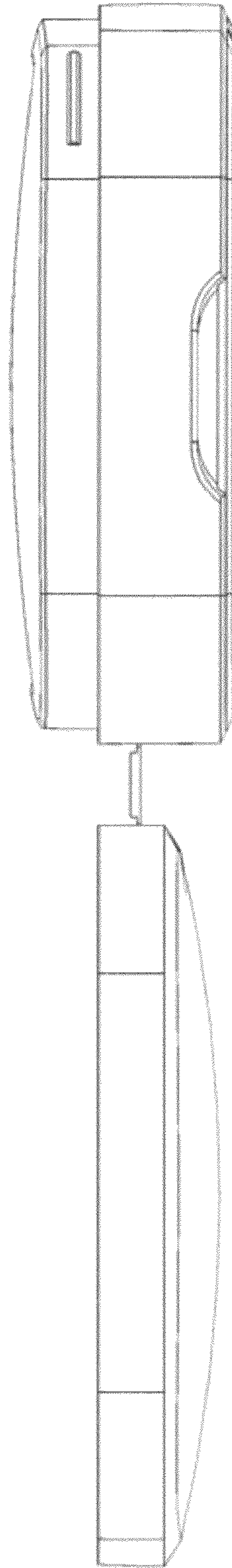


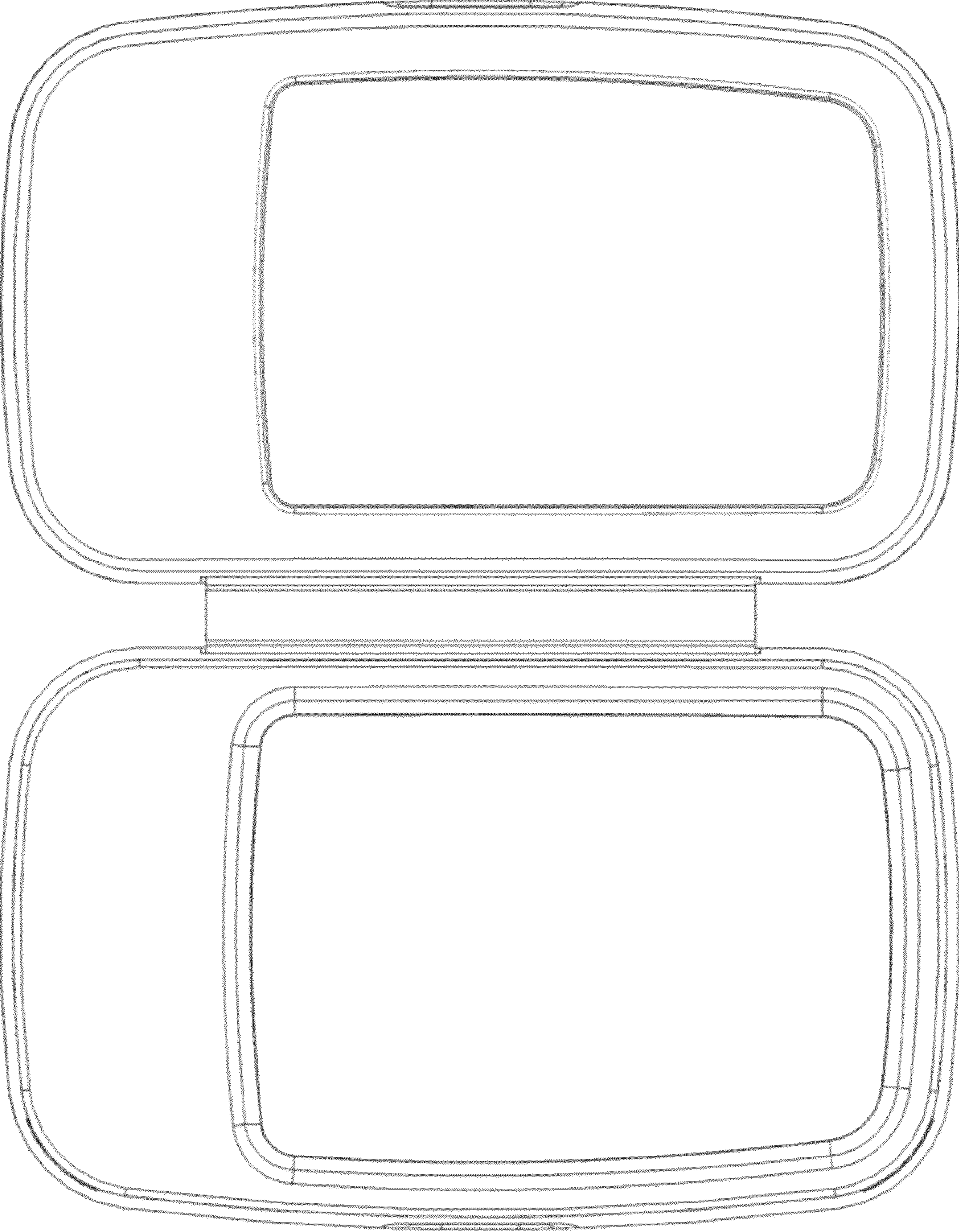


**FIG. 24**



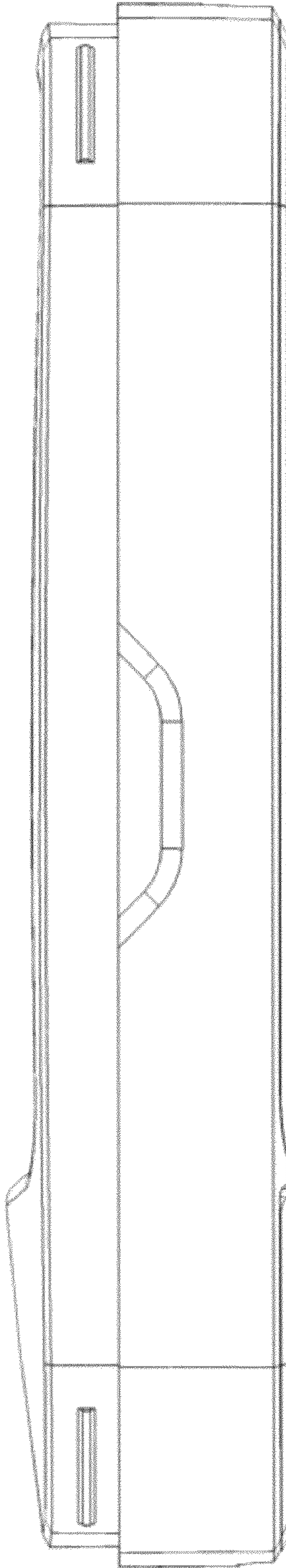
**FIG. 25**





**FIG. 26**

**FIG. 27**



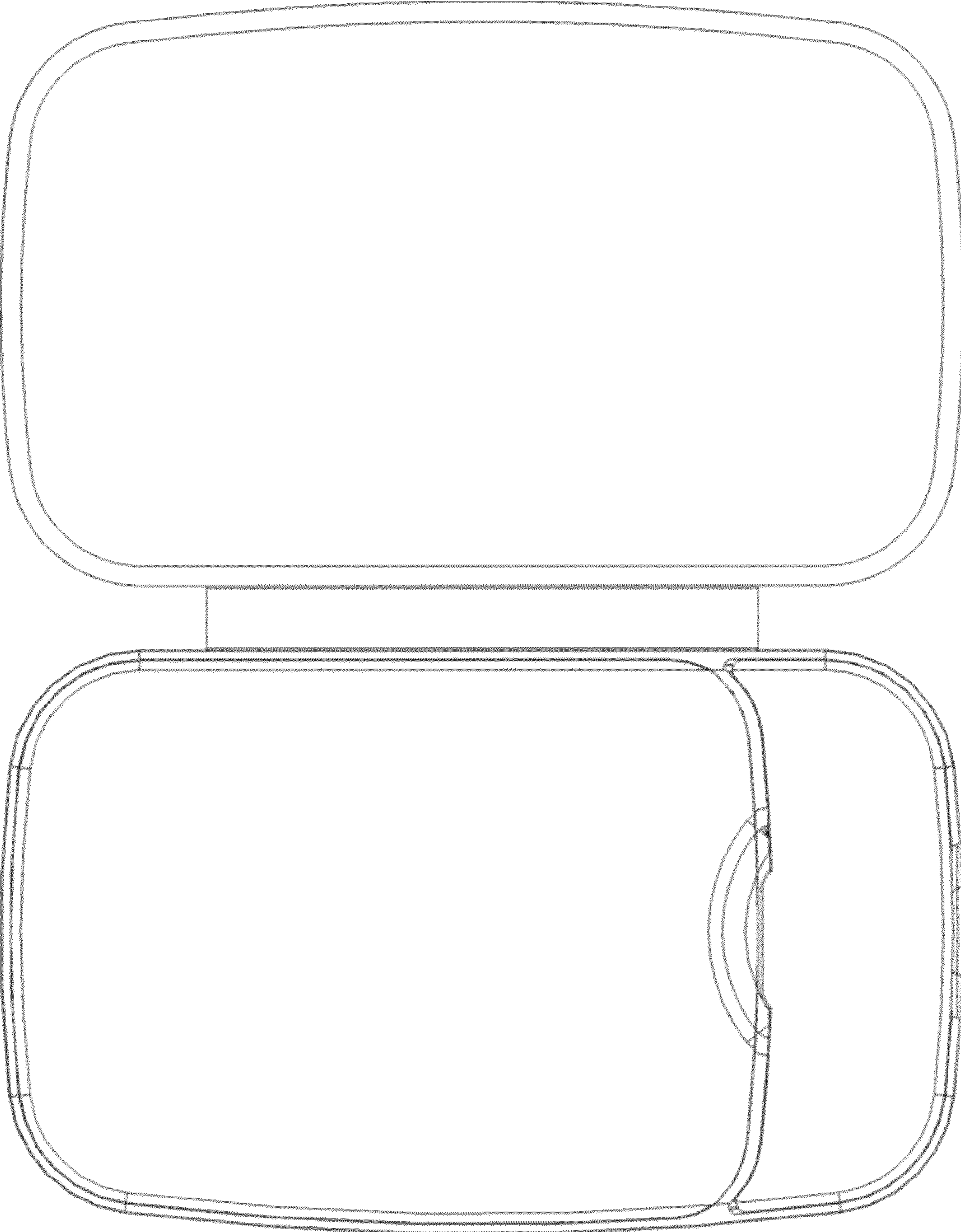
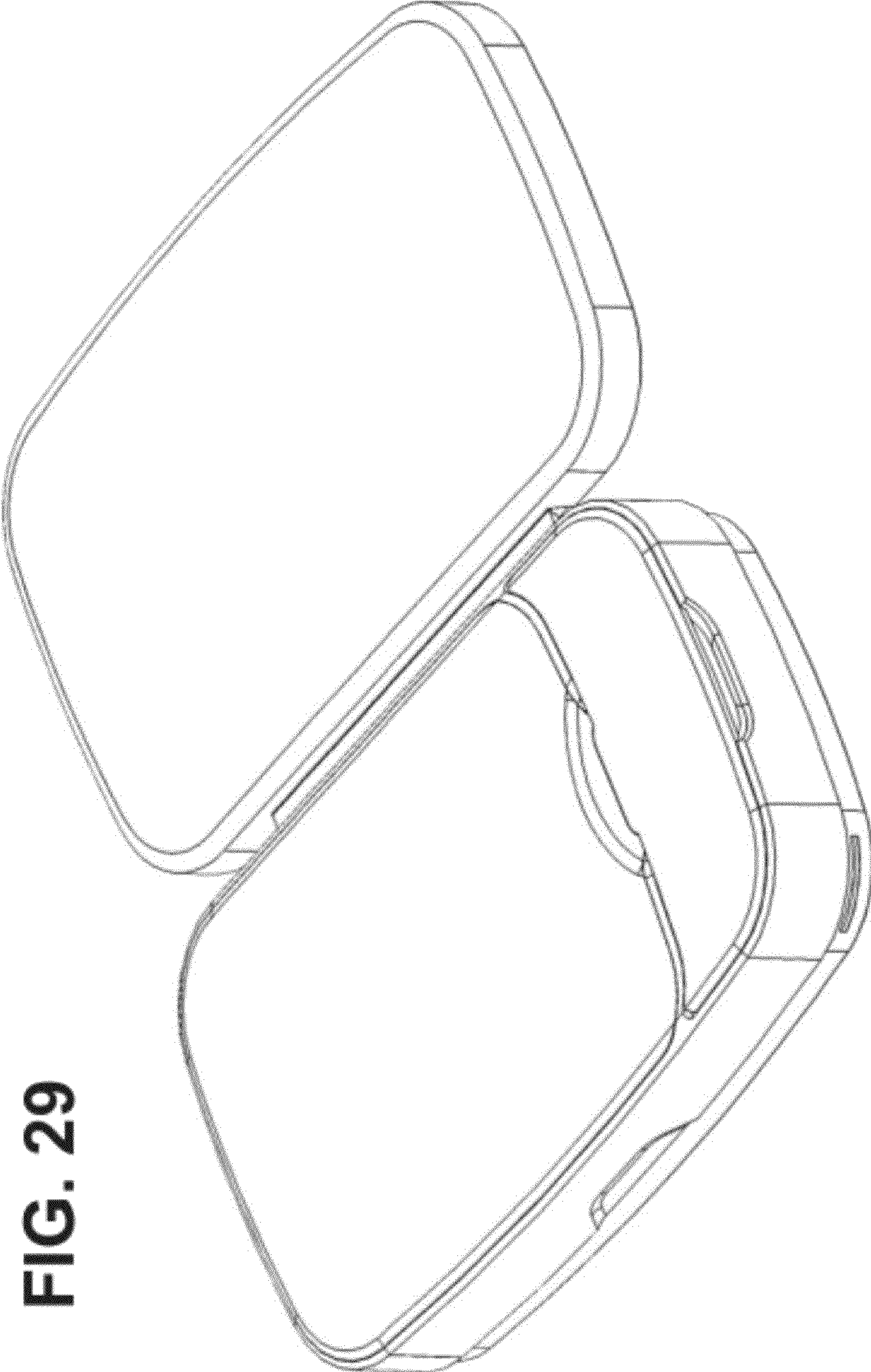


FIG. 28



**FIG. 29**

**FIG. 30**

