



US00D672642S

(12) **United States Design Patent**
Supranowicz

(10) **Patent No.:** **US D672,642 S**

(45) **Date of Patent:** **** Dec. 18, 2012**

(54) **CONTAINER**

D606,854 S * 12/2009 Greenhalgh D9/420
D628,469 S * 12/2010 Taylor et al. D9/420
D637,647 S * 5/2011 Allison et al. D19/73

(75) Inventor: **Ronald Supranowicz**, Lenox, MA (US)

* cited by examiner

(73) Assignee: **CSP Technologies, Inc.**, Auburn, AL
(US)

Primary Examiner — Thomas Johannes

(74) *Attorney, Agent, or Firm* — Alissa L. Saenz

(**) Term: **14 Years**

(57) **CLAIM**

The ornamental design for a container, as shown and described.

(21) Appl. No.: **29/403,848**

(22) Filed: **Oct. 12, 2011**

DESCRIPTION

(51) **LOC (9) Cl.** **09-03**

(52) **U.S. Cl.** **D9/420**

(58) **Field of Classification Search** D9/417,
D9/420, 423; D3/257; D7/629; D28/76,
D28/77; D34/11; 222/556; 229/225-234,
229/125.09; 206/37, 540, 564, 566; 220/254.3,
220/259.1, 713, 819

See application file for complete search history.

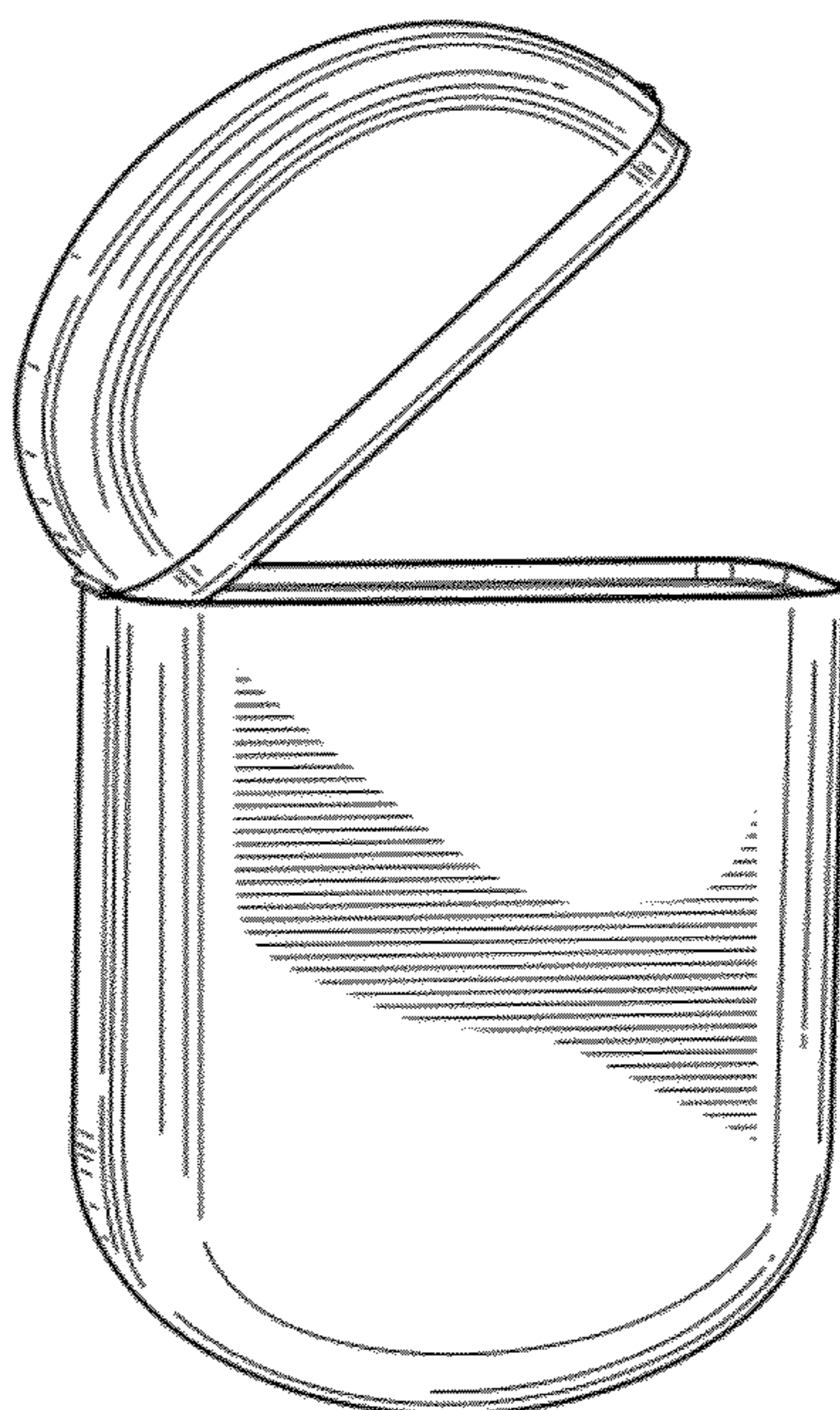
FIG. 1 is a front perspective view of a container, showing my new design, in a closed position;
FIG. 2 is a top, front perspective view thereof;
FIG. 3 is a front elevation thereof;
FIG. 4 is a left side elevation thereof;
FIG. 5 is a rear elevation thereof;
FIG. 6 is a right side elevation thereof;
FIG. 7 is a top plan view thereof;
FIG. 8 is a bottom plan view thereof;
FIG. 9 is a front perspective view of the container, in an opened position;
FIG. 10 is a top, front perspective view thereof;
FIG. 11 is a front elevation thereof;
FIG. 12 is a right side elevation thereof;
FIG. 13 is a rear elevation thereof;
FIG. 14 is a left side elevation thereof;
FIG. 15 is a top plan view thereof; and,
FIG. 16 is a bottom plan view thereof.

(56) **References Cited**

U.S. PATENT DOCUMENTS

D349,644 S * 8/1994 Miyairi et al. D3/203.2
D466,012 S * 11/2002 Baker D9/420
D467,799 S * 12/2002 Persson D9/420
6,561,391 B1 * 5/2003 Baker 222/556
D545,186 S * 6/2007 Liebe et al. D9/420
D549,573 S * 8/2007 Liebe et al. D9/420
D554,986 S * 11/2007 Galesi D9/424
D594,321 S * 6/2009 Tanaka et al. D9/420
D606,307 S * 12/2009 Gauss D3/294

1 Claim, 14 Drawing Sheets



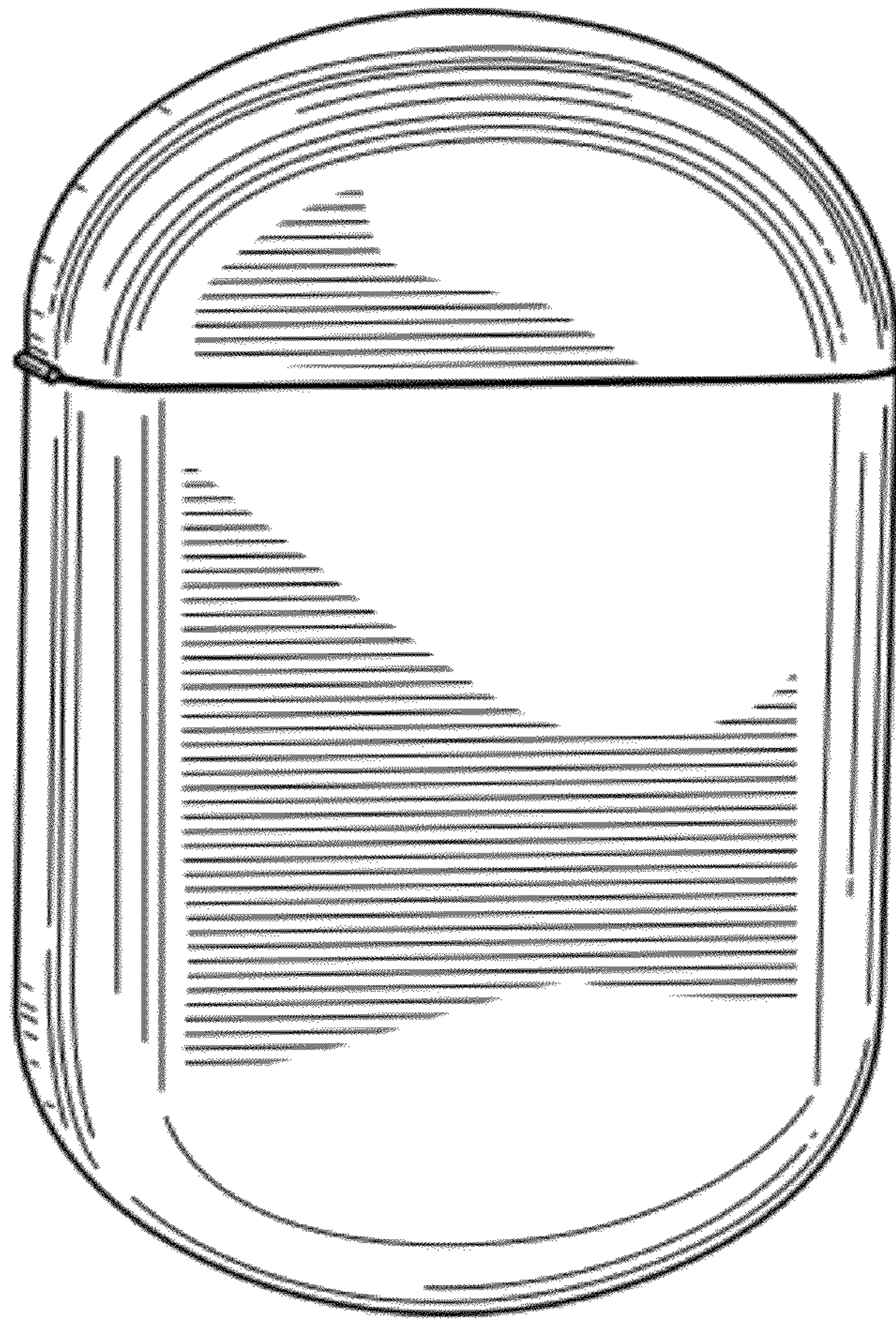


FIG. 1

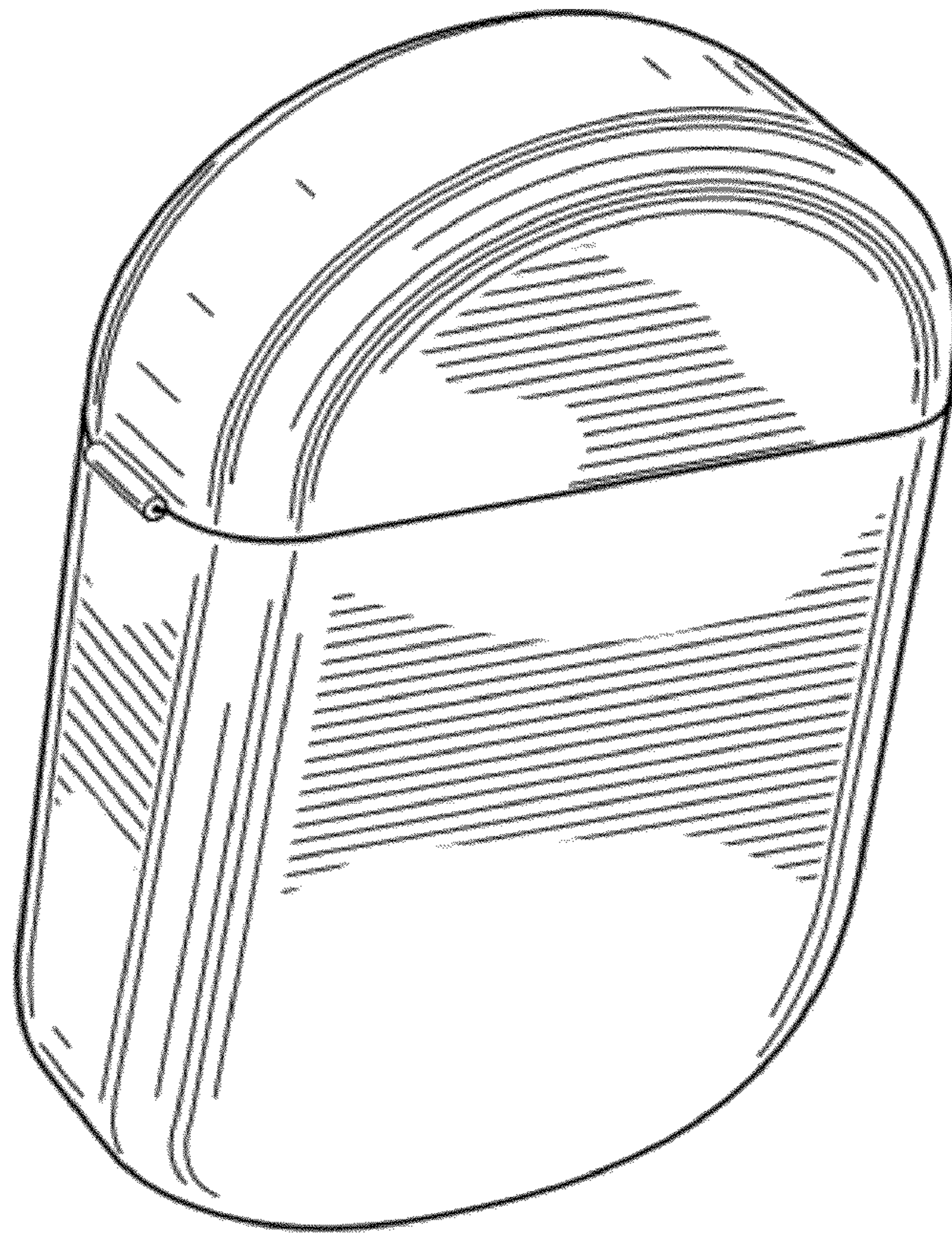


FIG. 2

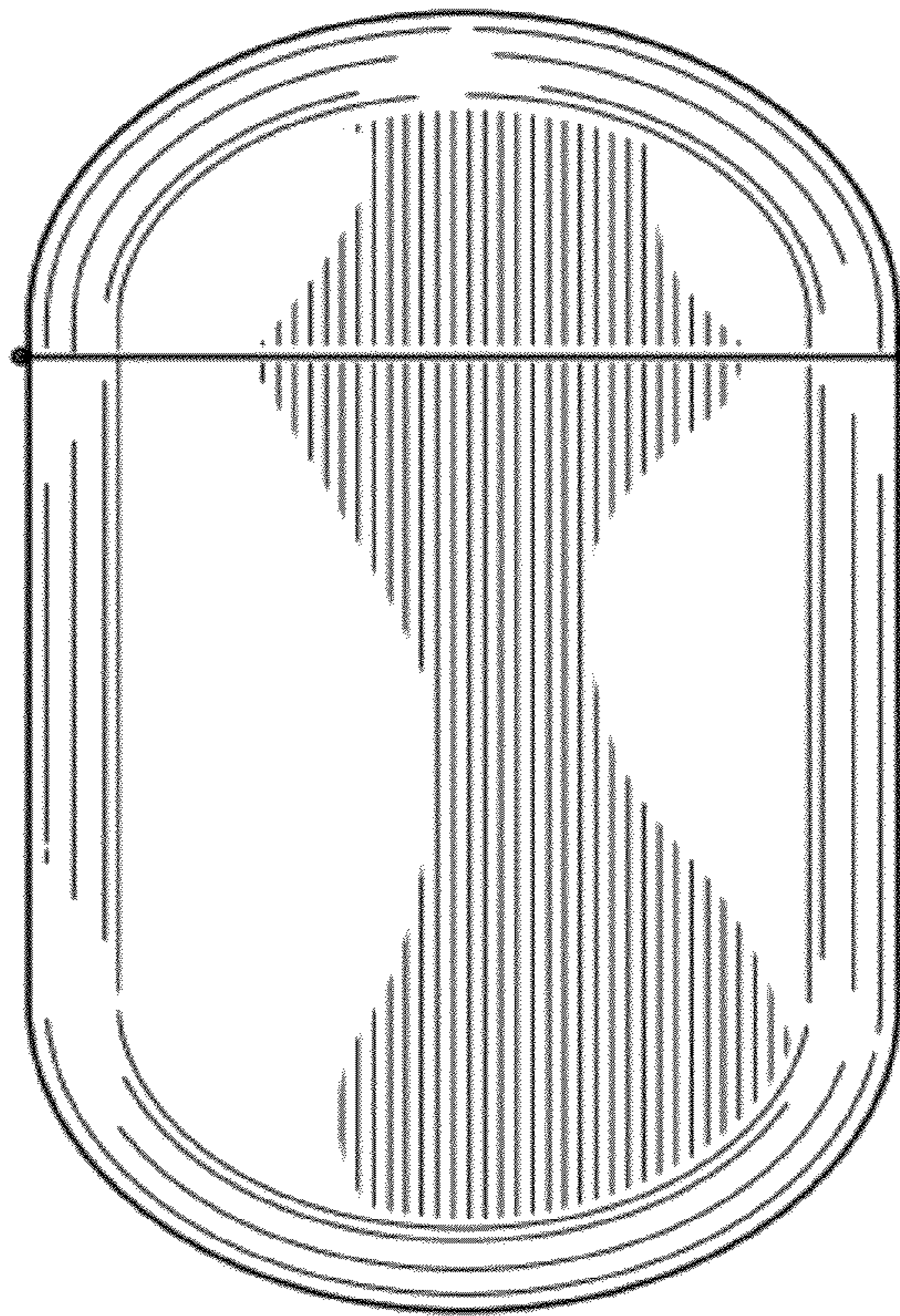


FIG. 3

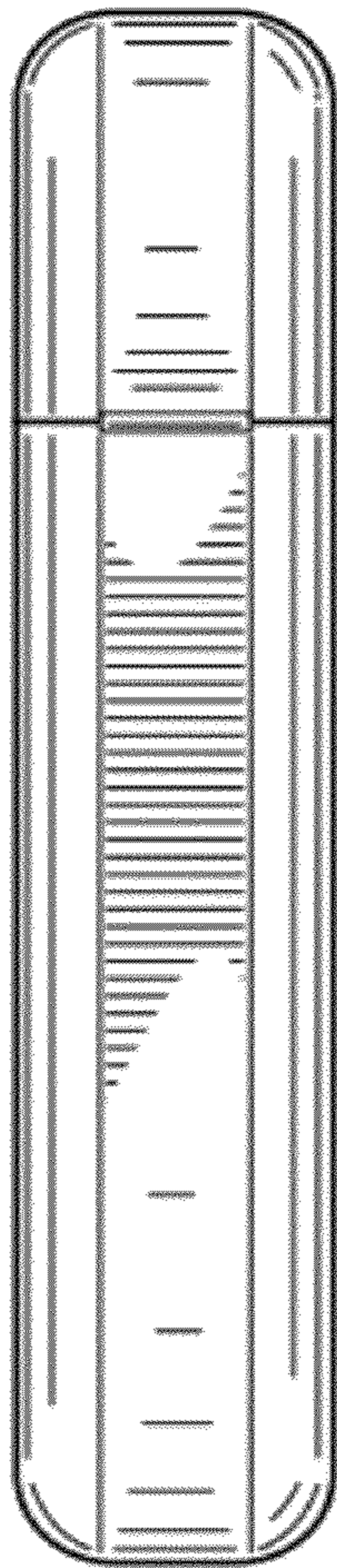


FIG. 4

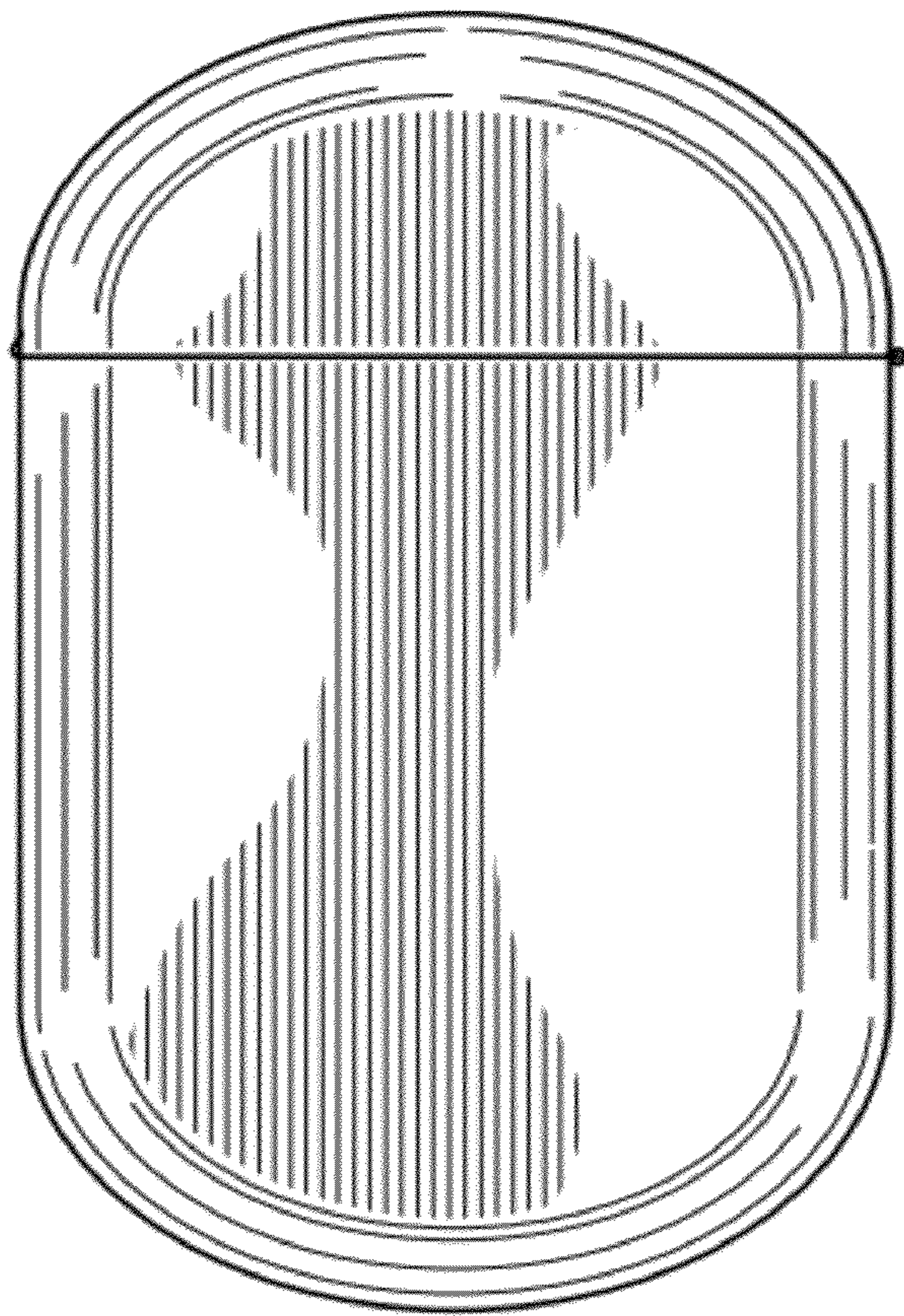


FIG. 5

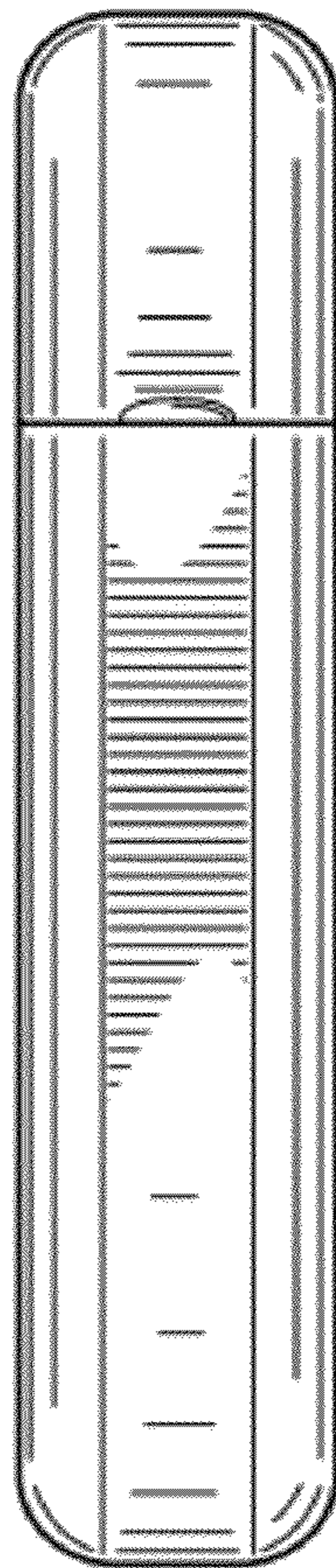


FIG. 6

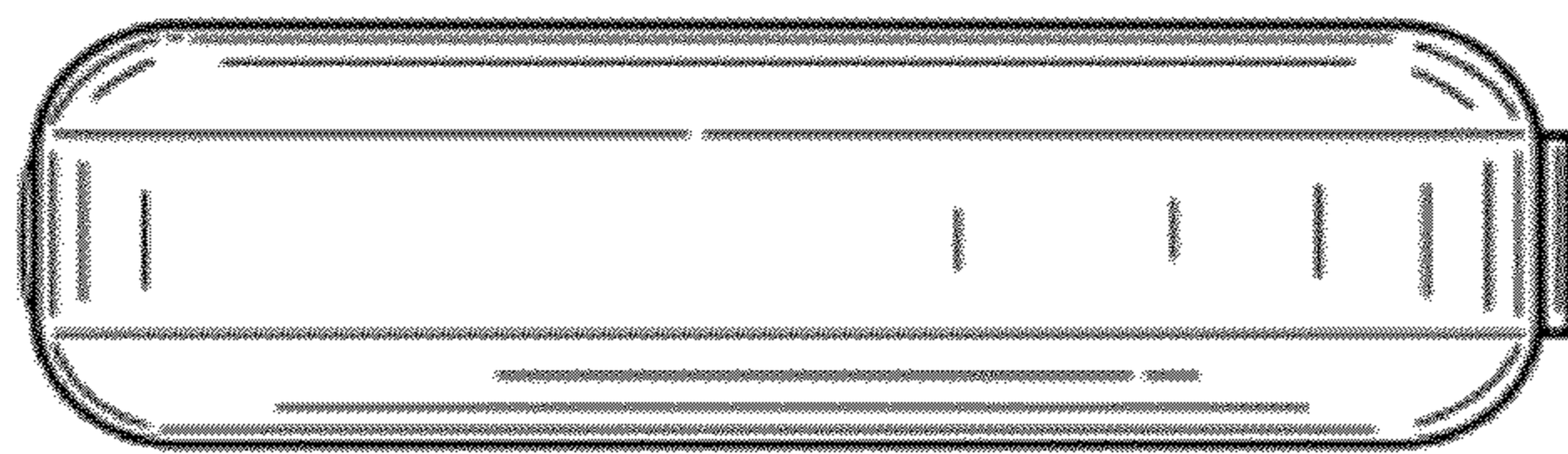


FIG. 7

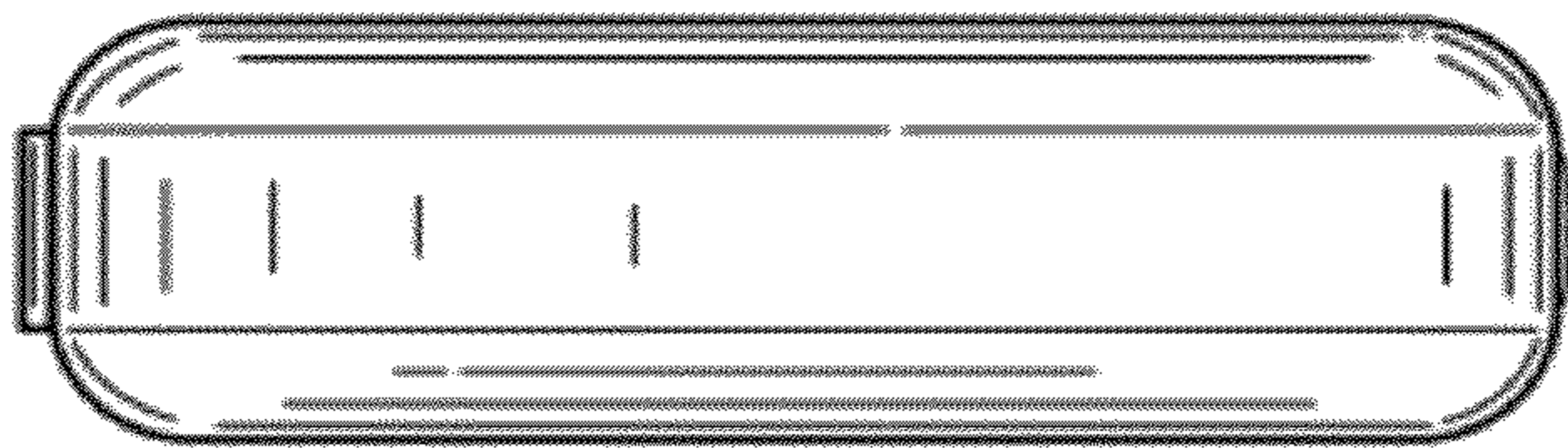


FIG. 8

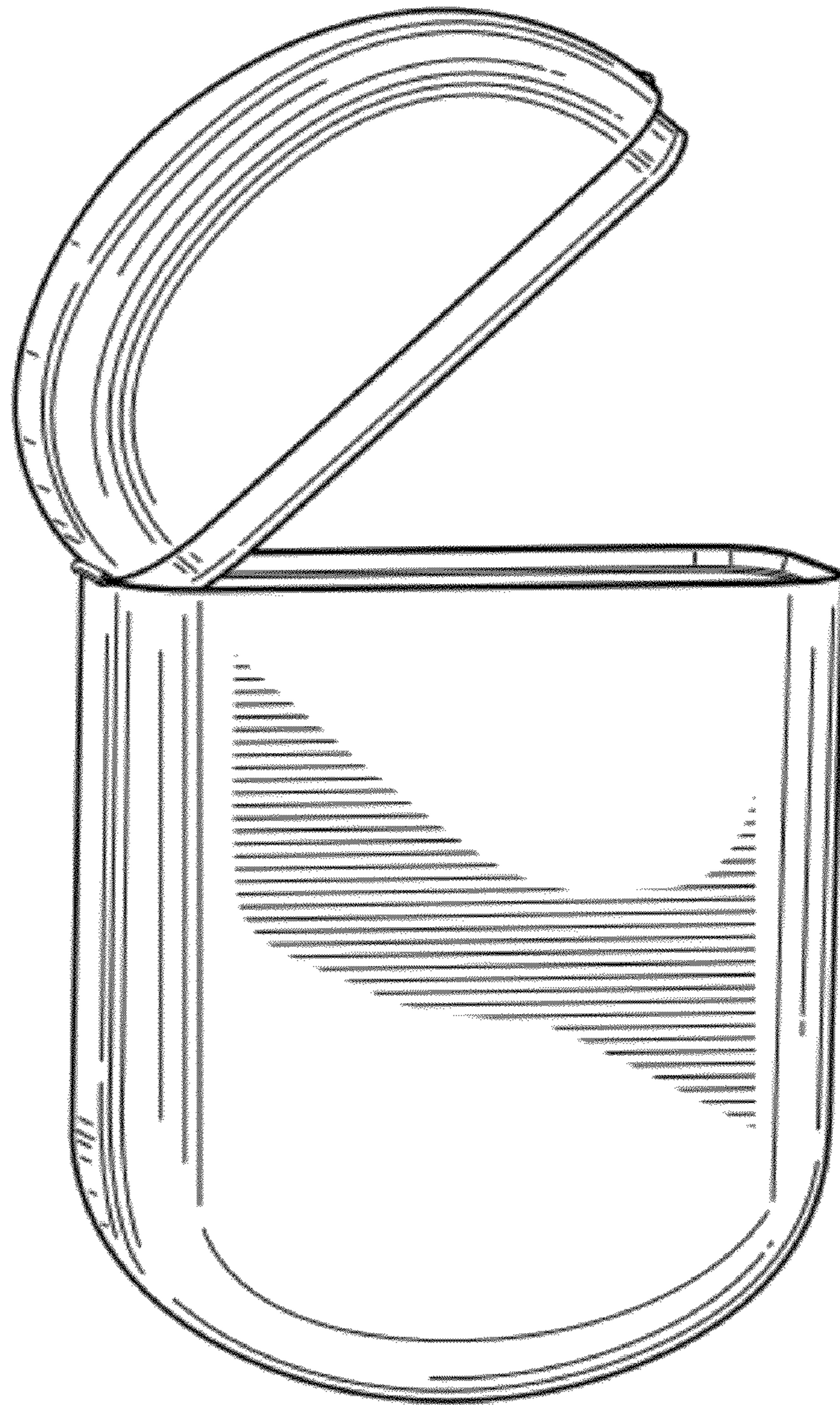


FIG. 9

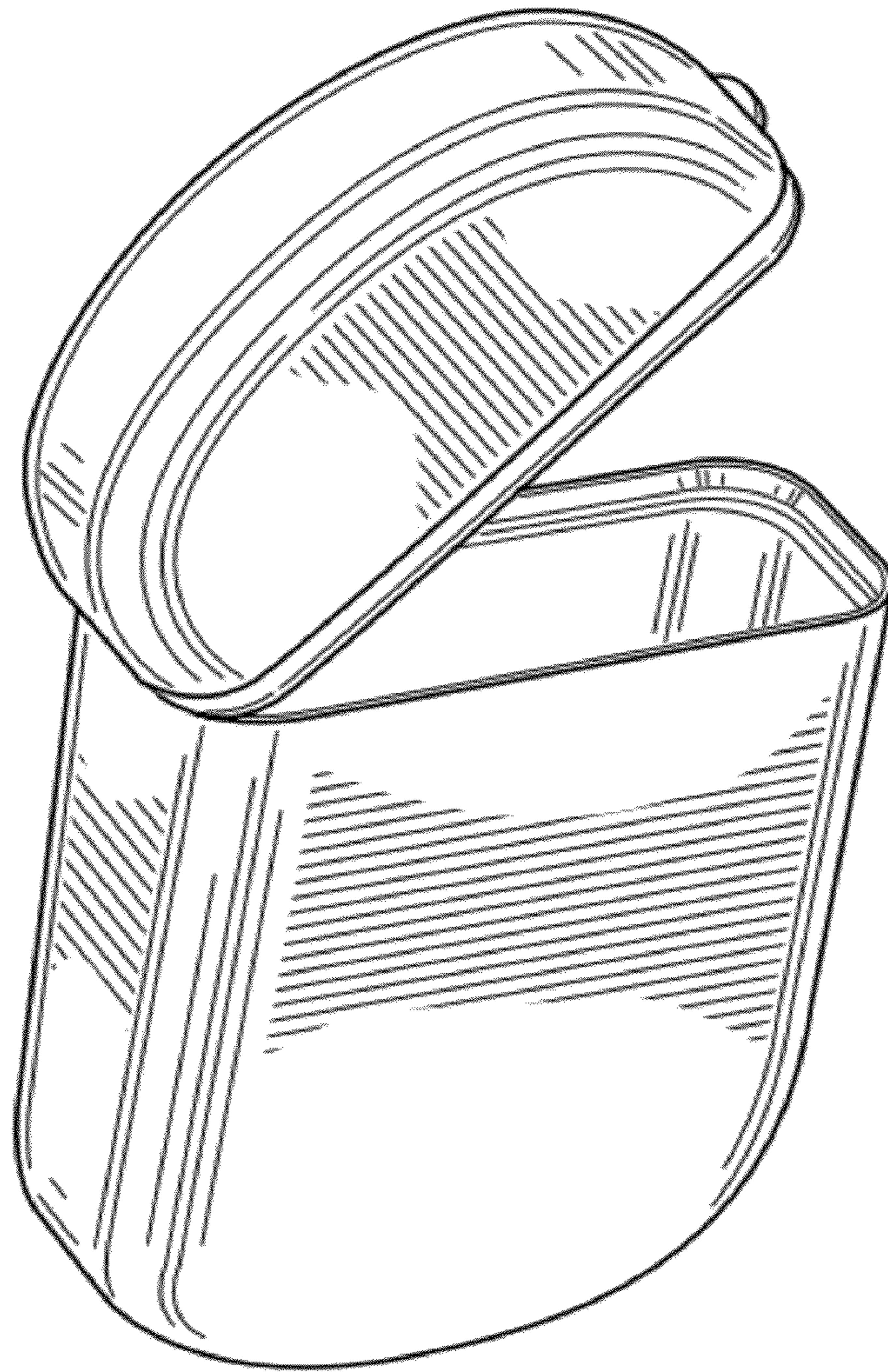


FIG. 10

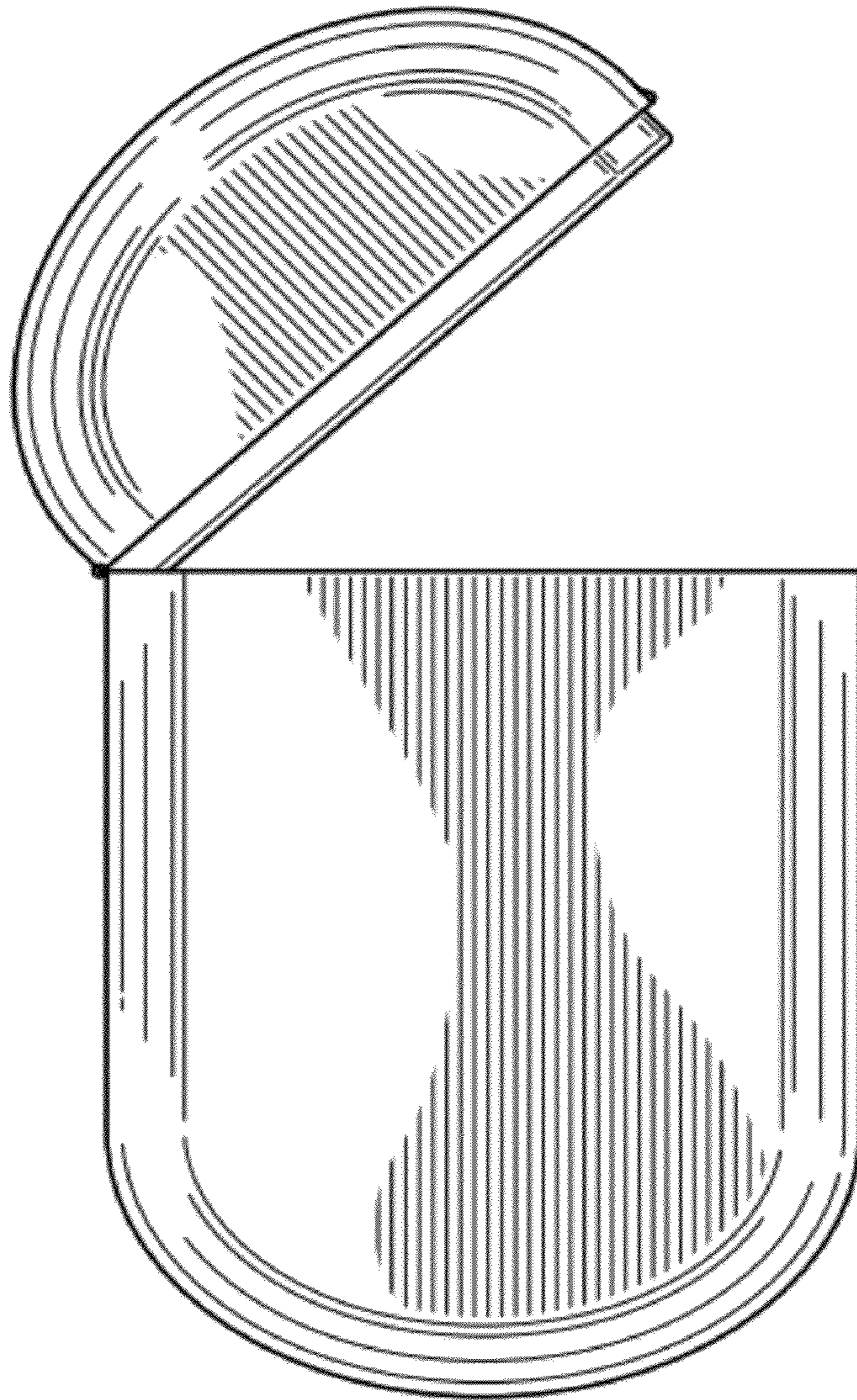


FIG. 11

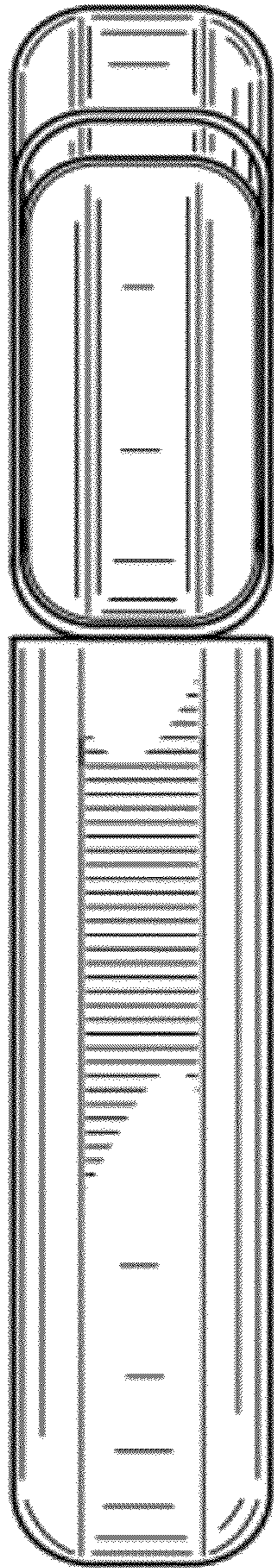


FIG. 12

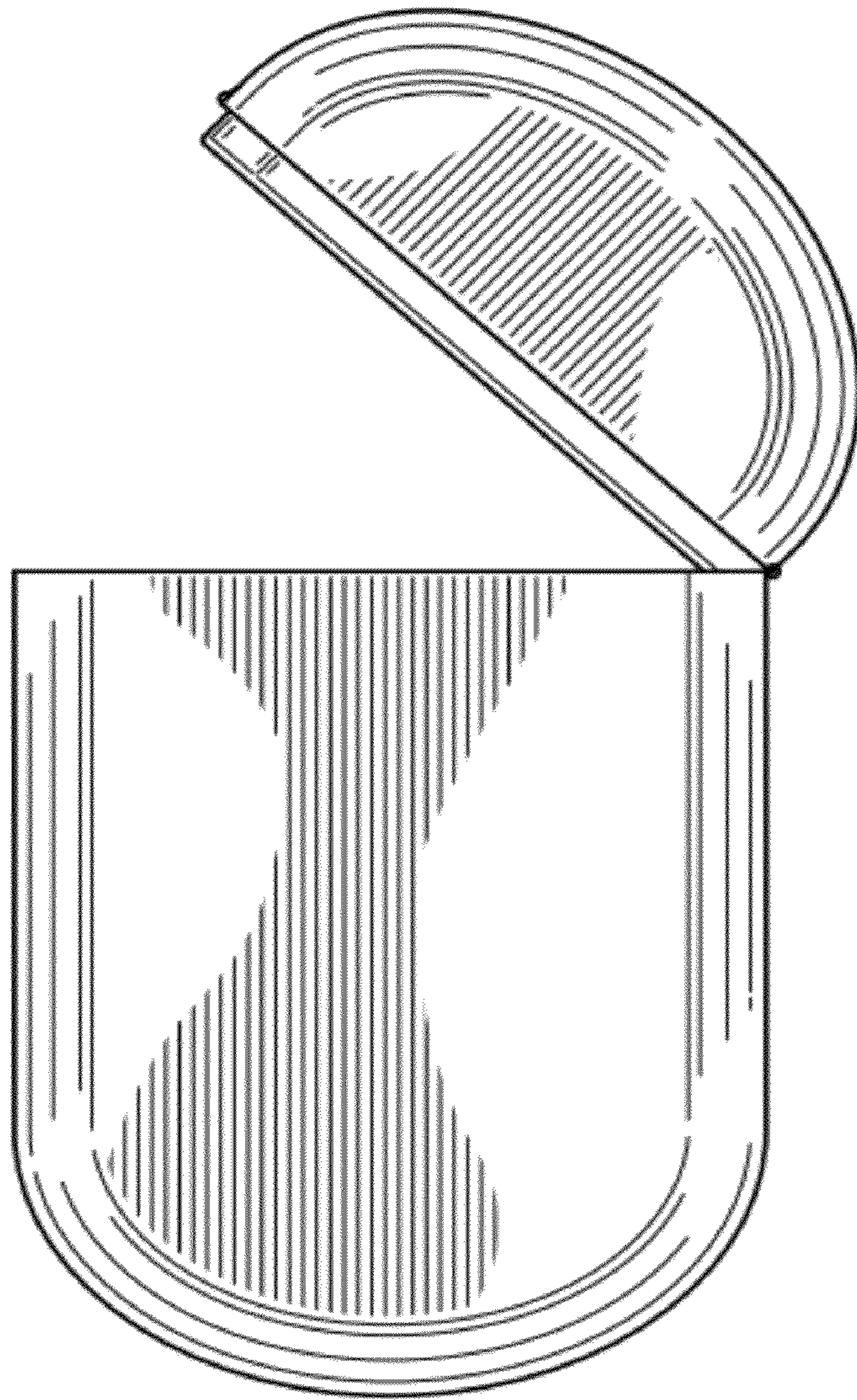


FIG. 13

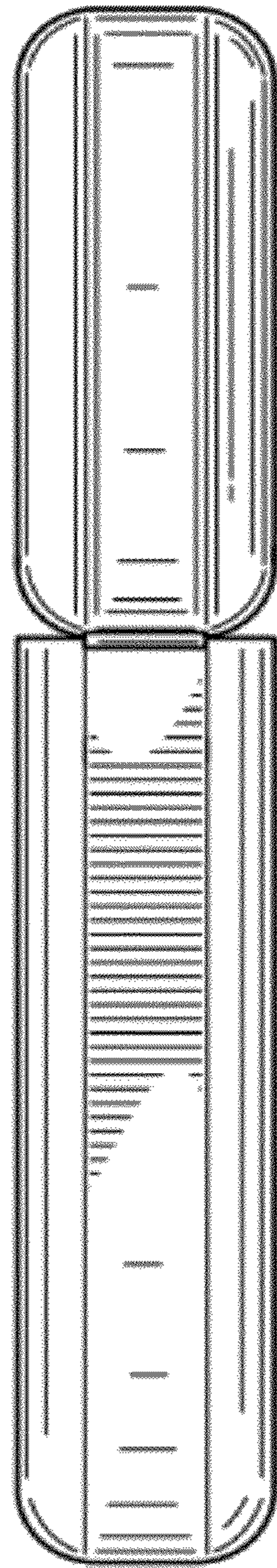


FIG. 14



FIG. 15

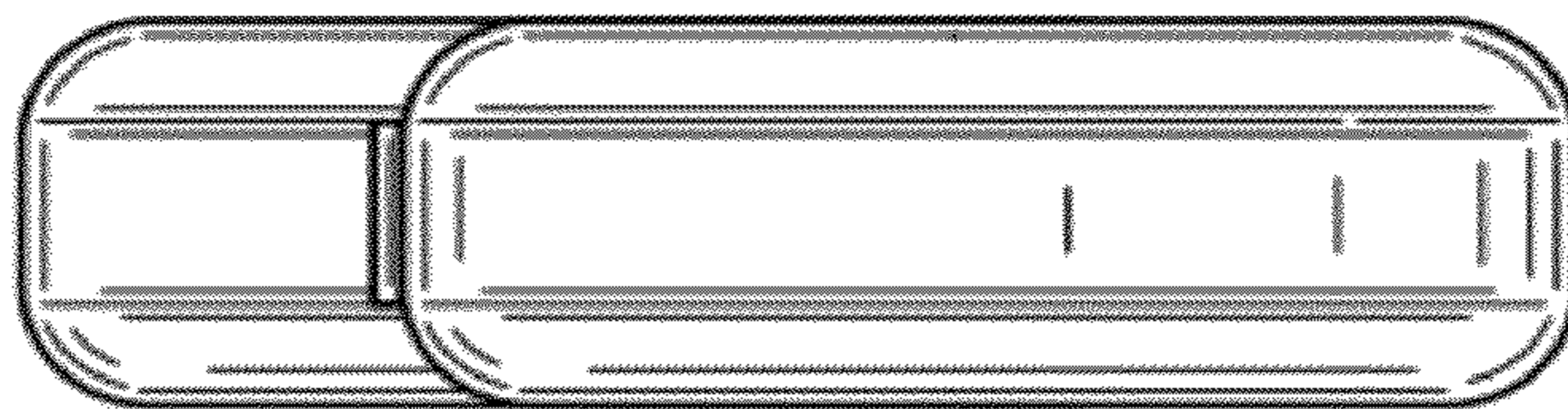


FIG. 16