



US00D672639S

(12) **United States Design Patent**
Pawluk

(10) **Patent No.:** **US D672,639 S**

(45) **Date of Patent:** **** Dec. 18, 2012**

(54) **WING NUT**

(76) Inventor: **Robert R. Pawluk**, Toronto (CA)

(**) Term: **14 Years**

(21) Appl. No.: **29/418,130**

(22) Filed: **Apr. 12, 2012**

Related U.S. Application Data

(63) Continuation-in-part of application No. 29/371,398, filed on Feb. 8, 2011, now Pat. No. Des. 660,140.

(51) **LOC (9) Cl.** **08-08**

(52) **U.S. Cl.** **D8/398**

(58) **Field of Classification Search** D8/398,
D8/349, 382, 394, 387; 411/435, 437, 510,
411/427, 337, 429

See application file for complete search history.

(56) **References Cited**

U.S. PATENT DOCUMENTS

2,936,667	A	5/1960	Thorberg	
D230,032	S *	1/1974	Robert	D30/133
D252,013	S	6/1979	Casey	
D272,454	S *	1/1984	Boudreaux	D21/471
4,784,554	A	11/1988	Break	
D358,688	S *	5/1995	Frasier	D30/160
D363,148	S *	10/1995	Frasier	D30/160
6,430,756	B1	8/2002	Reilly	
D484,786	S *	1/2004	O'Connor	D8/398

D499,010	S	11/2004	Velten	
D510,260	S *	10/2005	Jennings et al.	D8/398
D603,251	S *	11/2009	King	D8/387
D612,714	S	3/2010	Skubic	
D625,977	S *	10/2010	Watson et al.	D8/51
D631,736	S	2/2011	You	
D658,046	S *	4/2012	Austin, III	D8/385

* cited by examiner

Primary Examiner — Cynthia Underwood

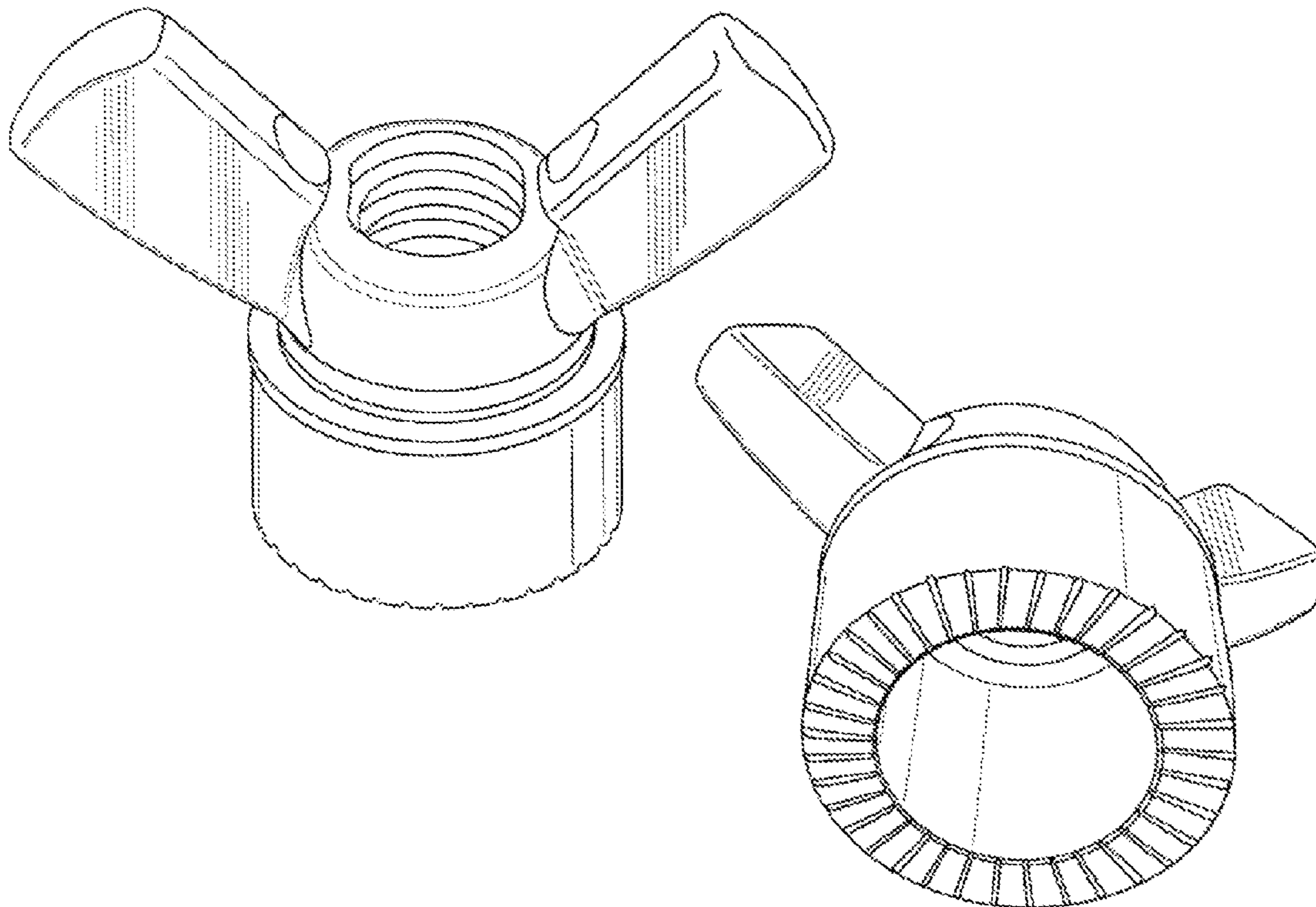
(57) **CLAIM**

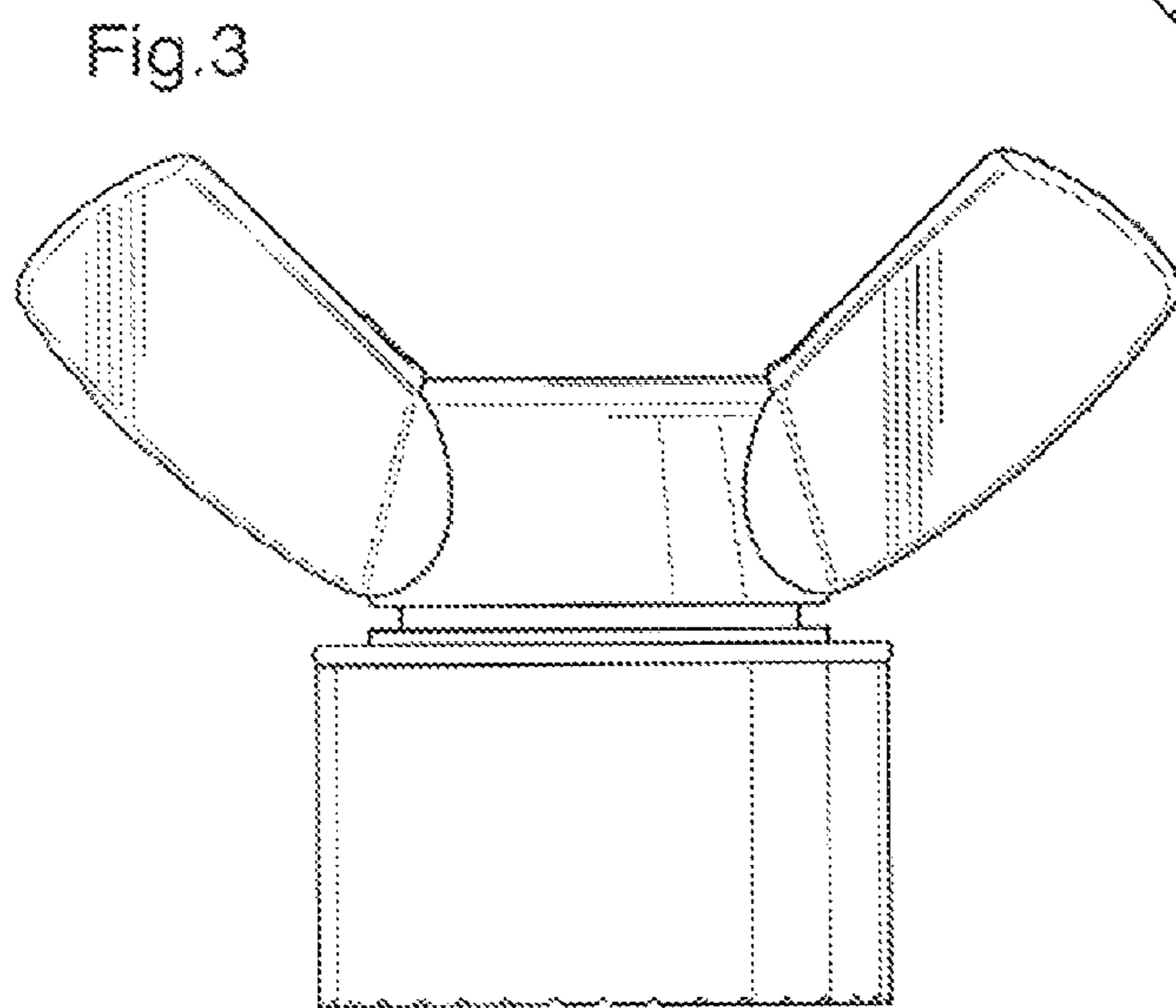
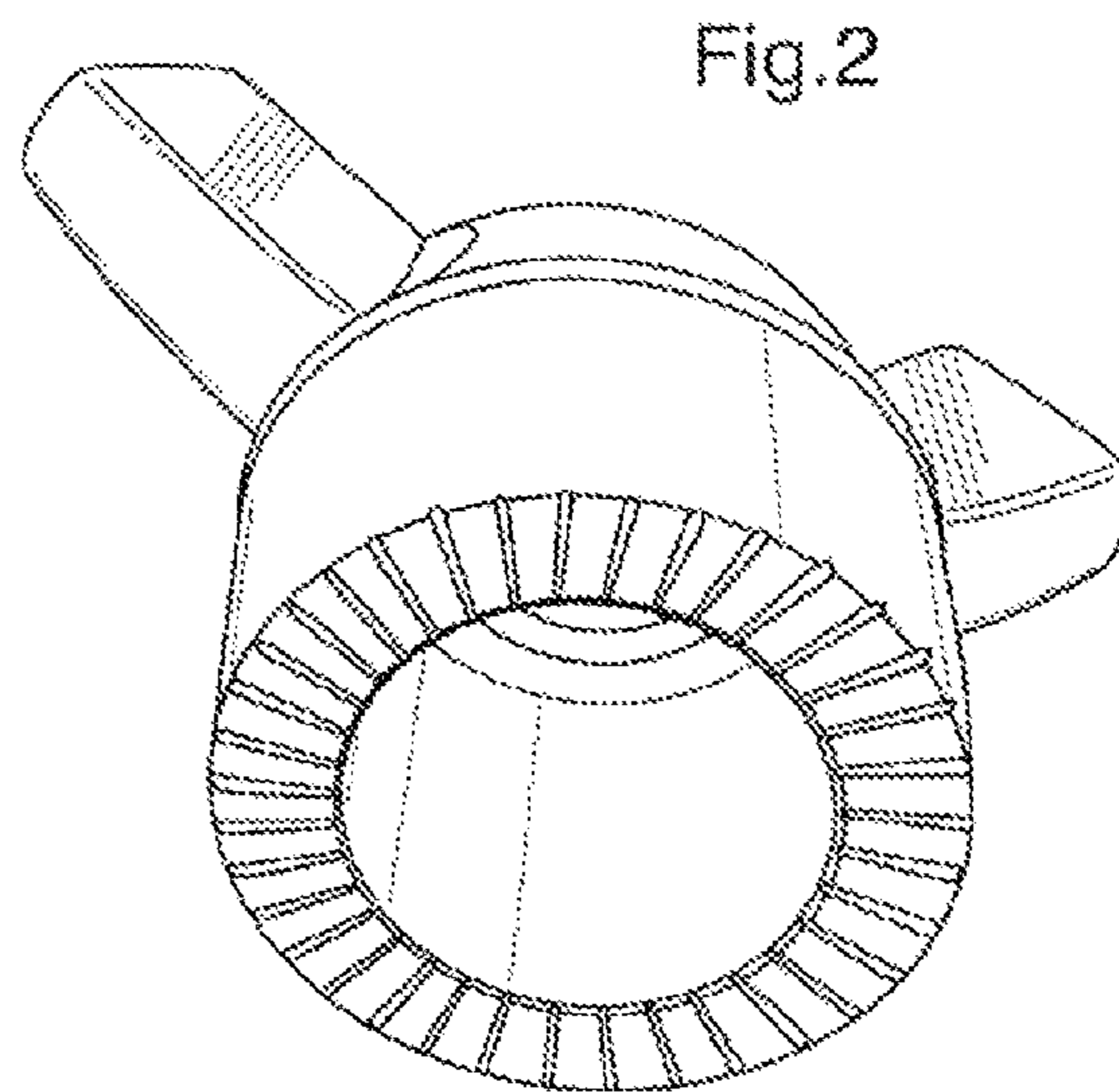
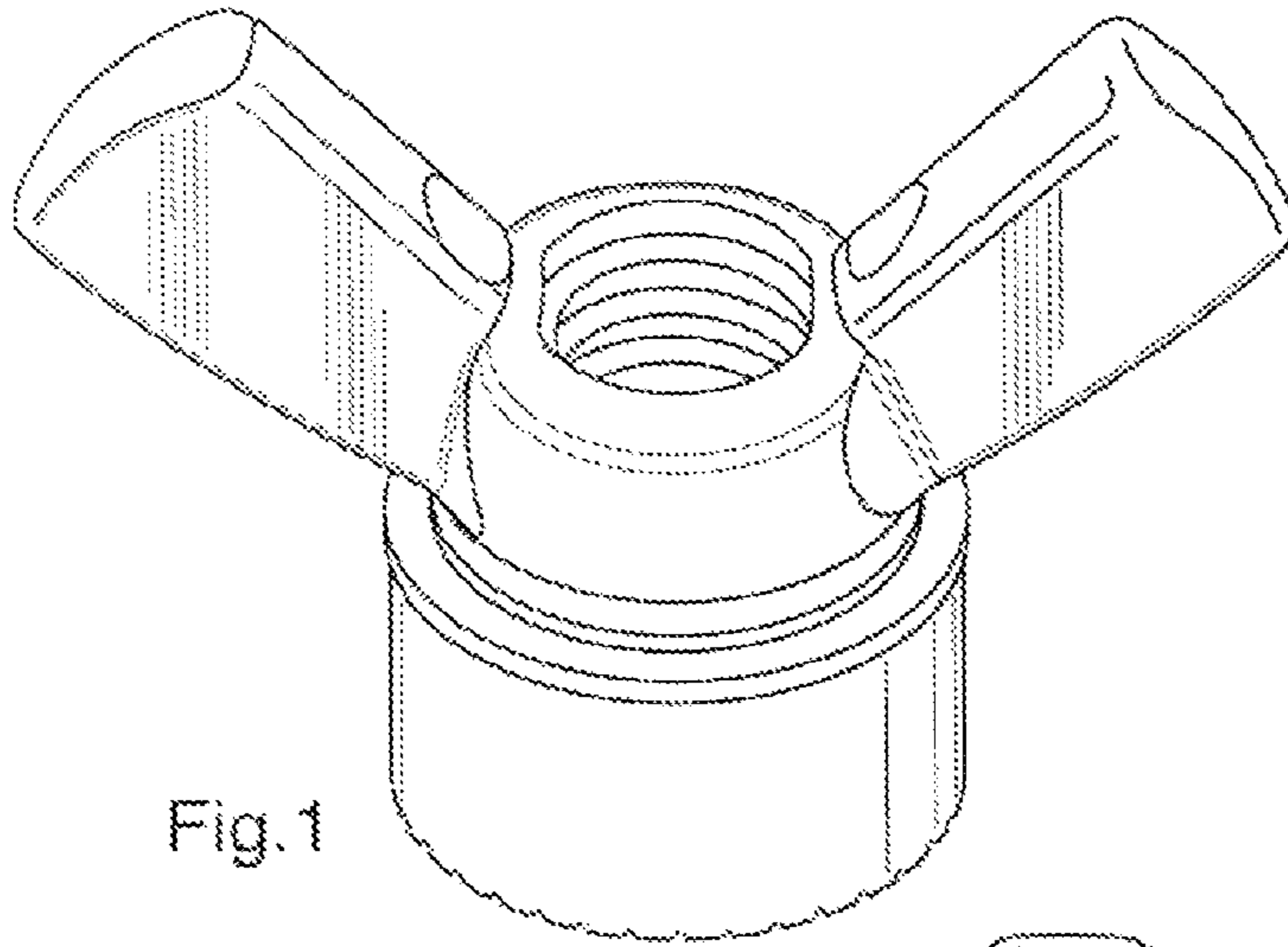
I claim the ornamental design for a wing nut, as shown and described.

DESCRIPTION

FIG. 1: is a perspective top and front view of a wing nut showing the design applied thereto;
 FIG. 2: is a perspective bottom, front and side view thereof;
 FIG. 3: is a front elevational view thereof;
 FIG. 4: shows a first side elevational view thereof;
 FIG. 5: shows a rear elevational view thereof
 FIG. 6: shows a second side elevational view thereof;
 FIG. 7: shows a top plan view thereof;
 FIG. 8: shows a bottom plan view thereof; and,
 FIG. 9: shows a perspective top, front and side view of the wing nut in position on a T-Slot bolt illustrated in phantom for environmental purposes, and forming no part of the claimed designed.

1 Claim, 3 Drawing Sheets





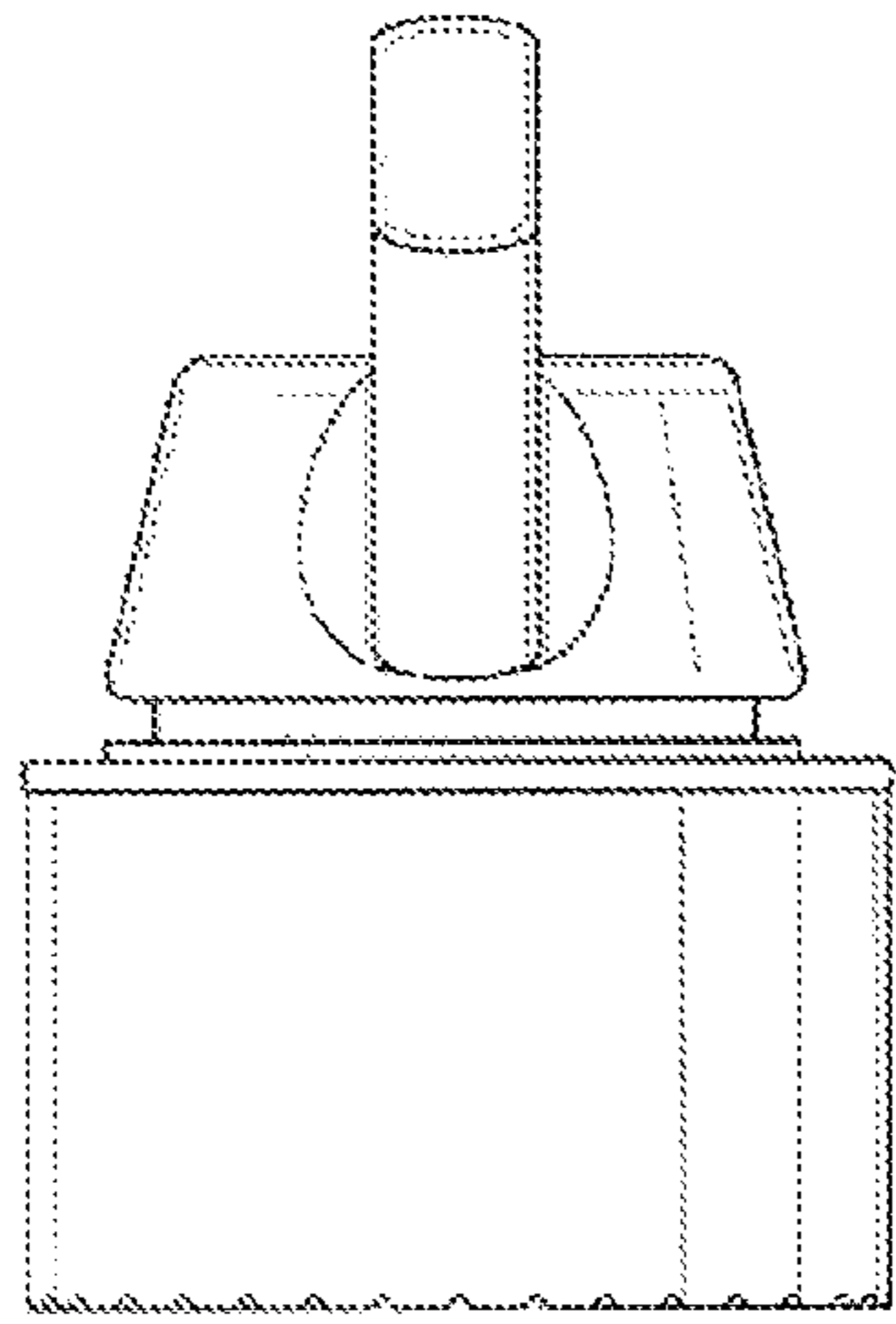


Fig.4

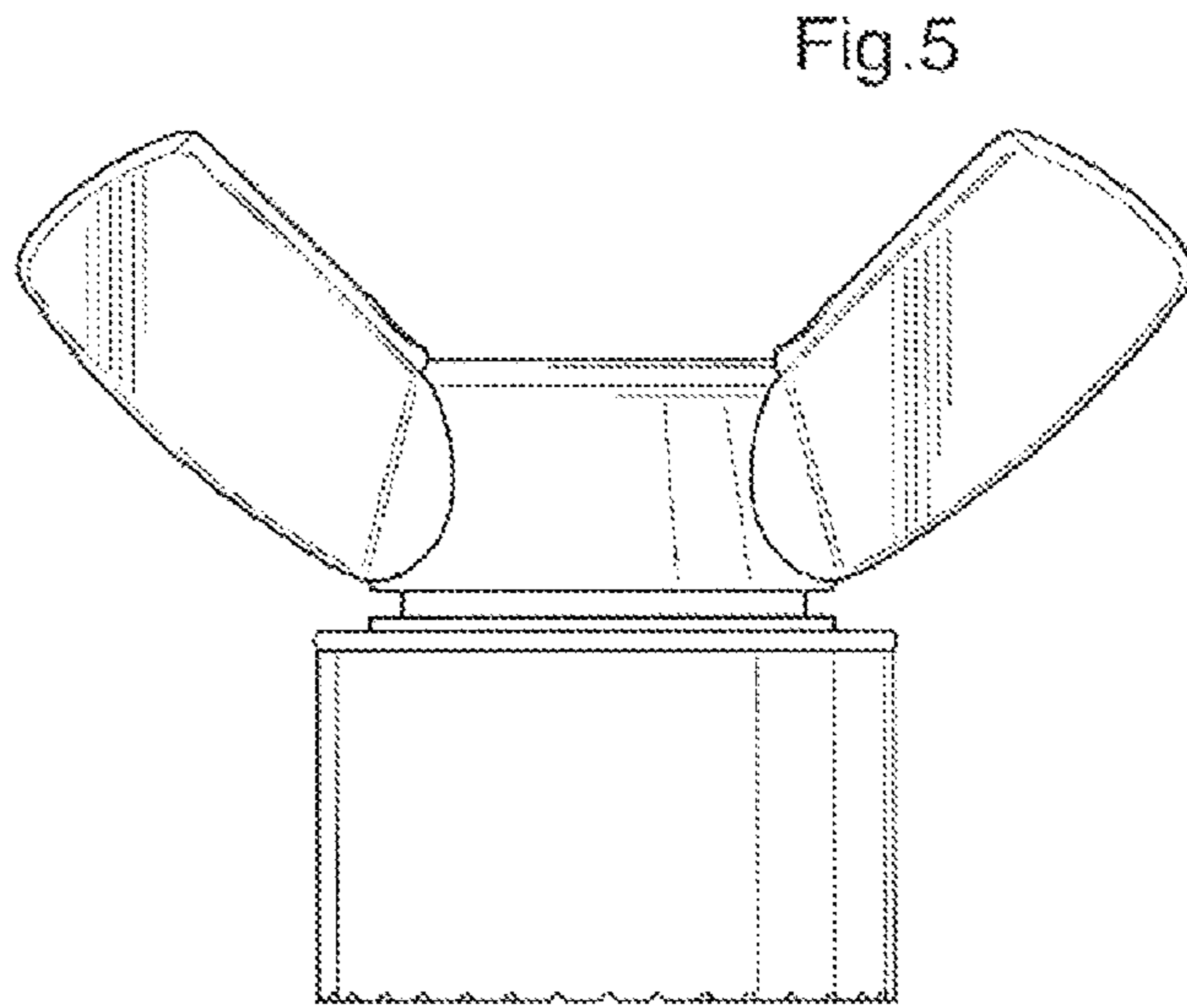


Fig.5

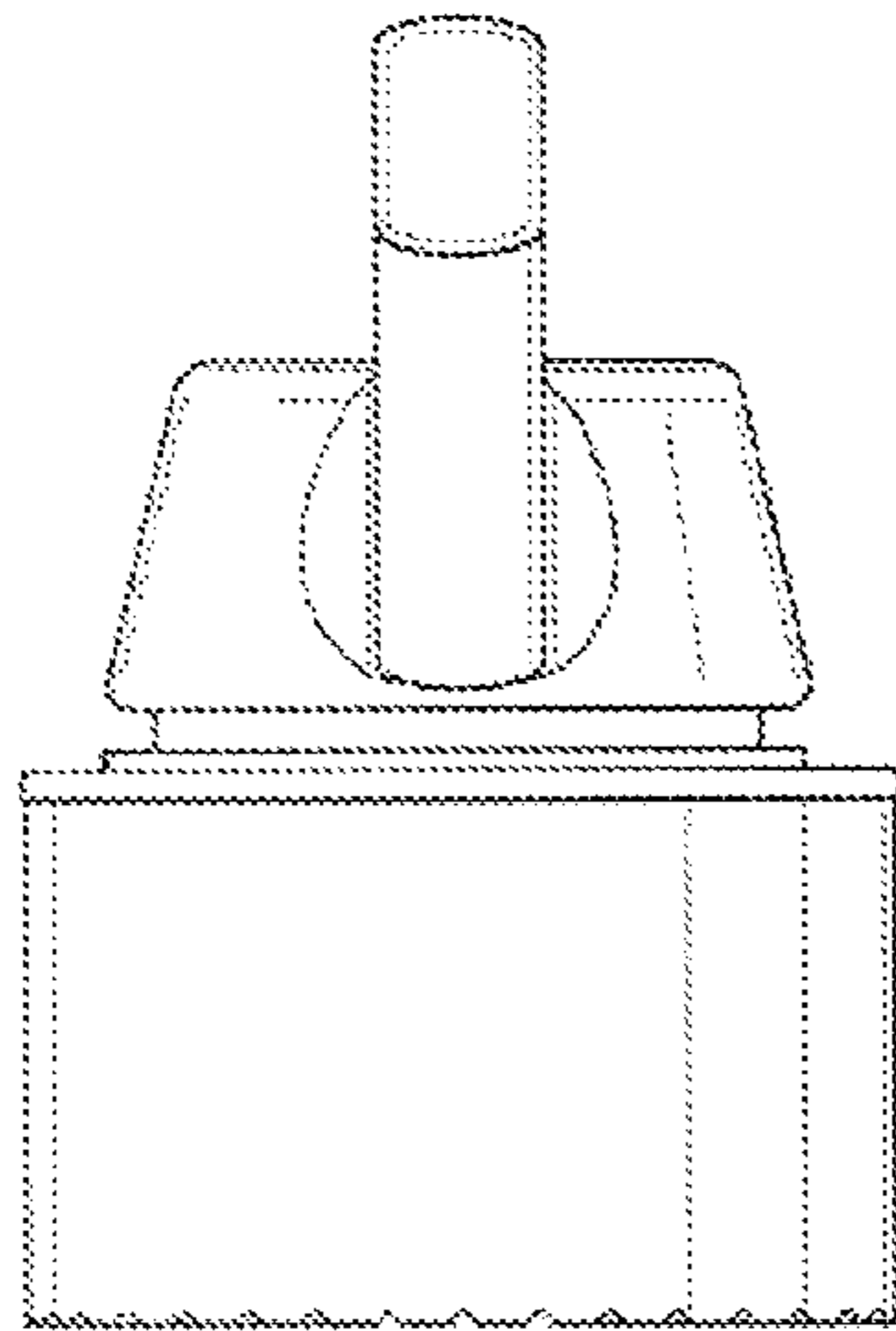


Fig.6

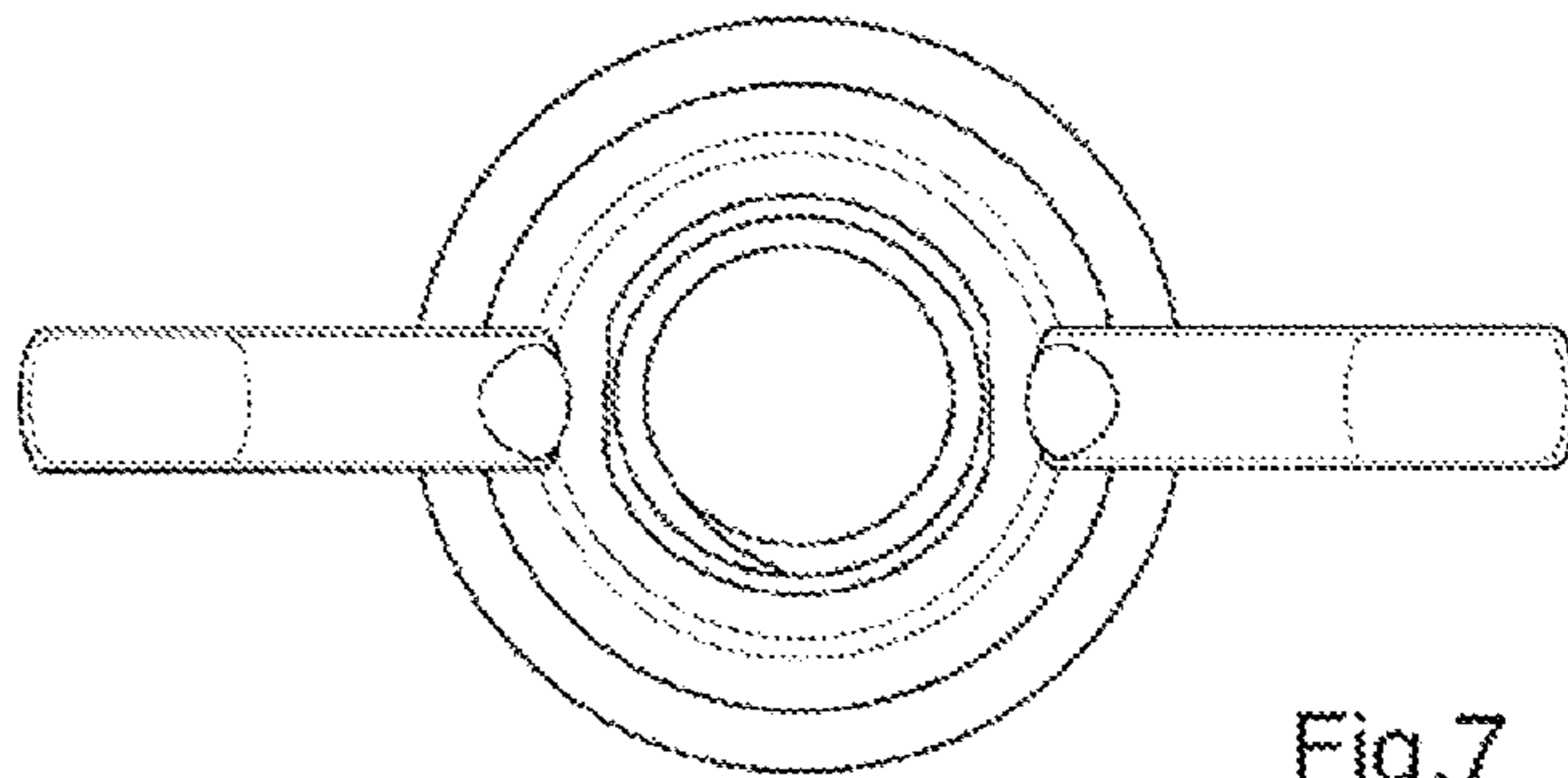


Fig.7

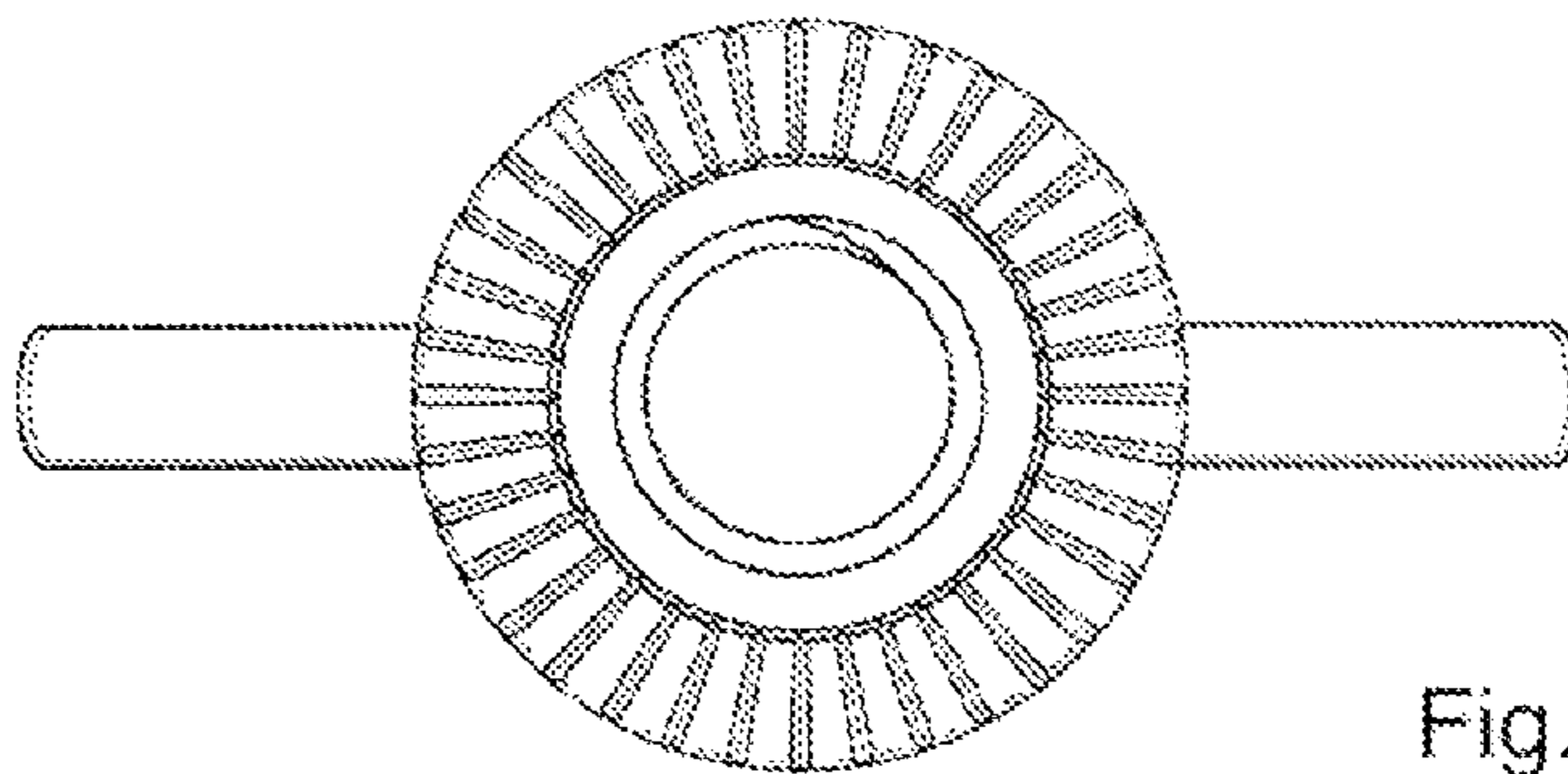


Fig.8

Fig.9

