



US00D672638S

(12) **United States Design Patent**
Wronski et al.

(10) **Patent No.:** **US D672,638 S**
(45) **Date of Patent:** **** Dec. 18, 2012**

(54) **PORTABLE AND ADJUSTABLE REELED
WIRE DISPENSER**

(76) Inventors: **Mark Wronski**, Abington, MA (US); **Ed Wronski**, Abington, MA (US)

(**) Term: **14 Years**

(21) Appl. No.: **29/394,927**

(22) Filed: **Jun. 23, 2011**

Related U.S. Application Data

(63) Continuation-in-part of application No. 12/228,853, filed on Aug. 18, 2008, now abandoned, which is a continuation-in-part of application No. 11/978,027, filed on Oct. 29, 2007, now abandoned.

(51) **LOC (9) Cl.** **08-05**

(52) **U.S. Cl.** **D8/380; D8/358**

(58) **Field of Classification Search** D8/358,
D8/359; 206/409; 242/68, 68.6, 71.8, 76,
242/85.1, 96, 125.1, 129, 557, 578.2; 8/19;
D22/25, 26; D13/12, 30; 220/277; D9/337,
D9/436; D26/34; 191/12.4

See application file for complete search history.

(56) **References Cited**

U.S. PATENT DOCUMENTS

D200,723	S	*	3/1965	Van Lew	D8/358
3,907,228	A	*	9/1975	Lewis	242/129
4,006,854	A	*	2/1977	Gibson et al.	206/409
D257,423	S	*	10/1980	Tiedemann	D8/359
D329,975	S	*	10/1992	Klawitter	D8/358
D458,830	S	*	6/2002	Morris et al.	D8/358
7,931,227	B1	*	4/2011	Oudekerk	242/557
8,136,753	B2	*	3/2012	Galgano et al.	242/578.2

* cited by examiner

Primary Examiner — Susan Bennett Hattan

Assistant Examiner — Barbara B Lohr

(74) *Attorney, Agent, or Firm* — Bay State IP, LLC

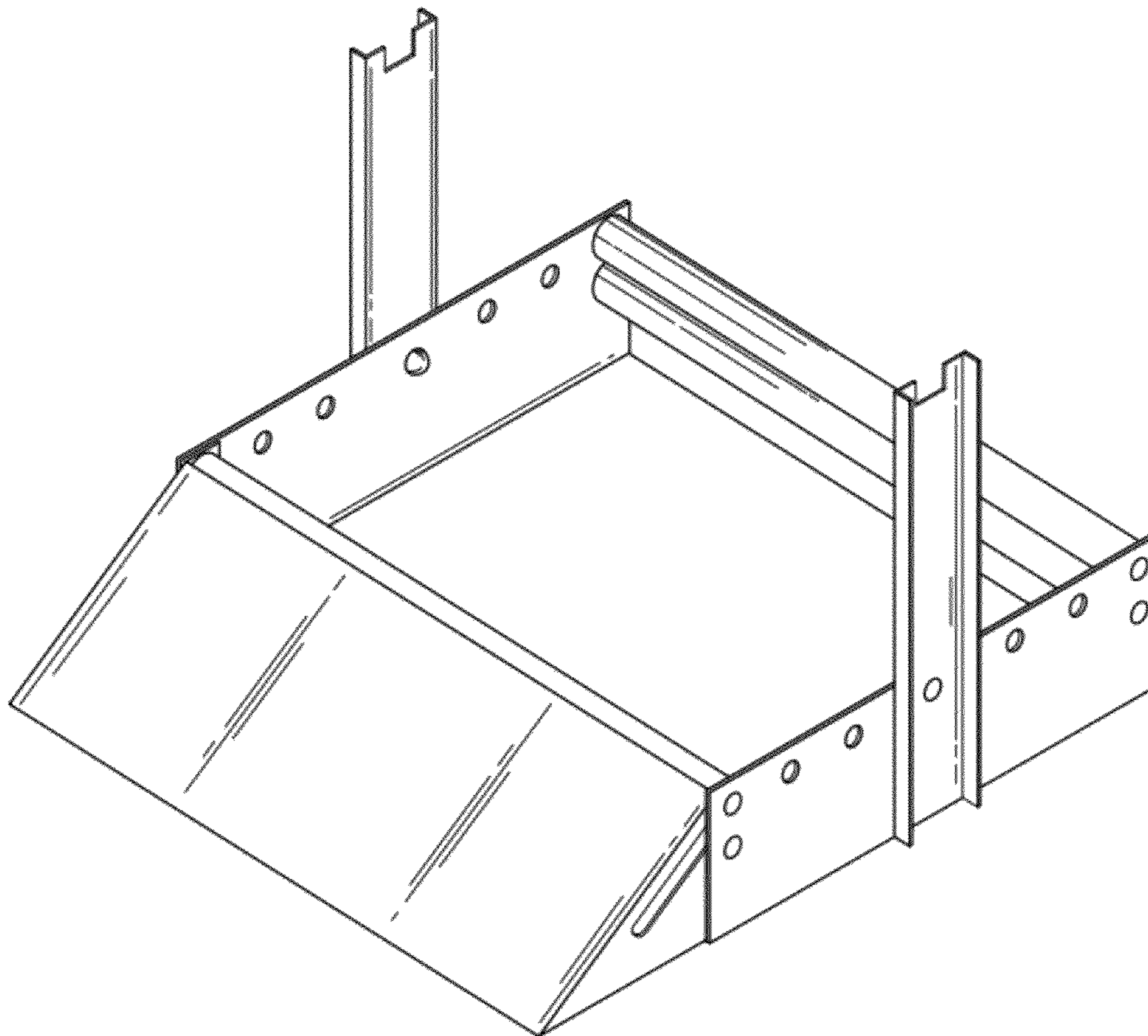
(57) **CLAIM**

We claim the ornamental design for a portable and adjustable reeled wire dispenser, as shown and described.

DESCRIPTION

FIG. 1 is a front side perspective view showing my new design;
FIG. 2 is a left side perspective view thereof;
FIG. 3 is a right side view thereof;
FIG. 4 is a front side view thereof;
FIG. 5 is a back side view thereof;
FIG. 6 is a top view thereof; and,
FIG. 7 is a bottom view thereof.

1 Claim, 4 Drawing Sheets



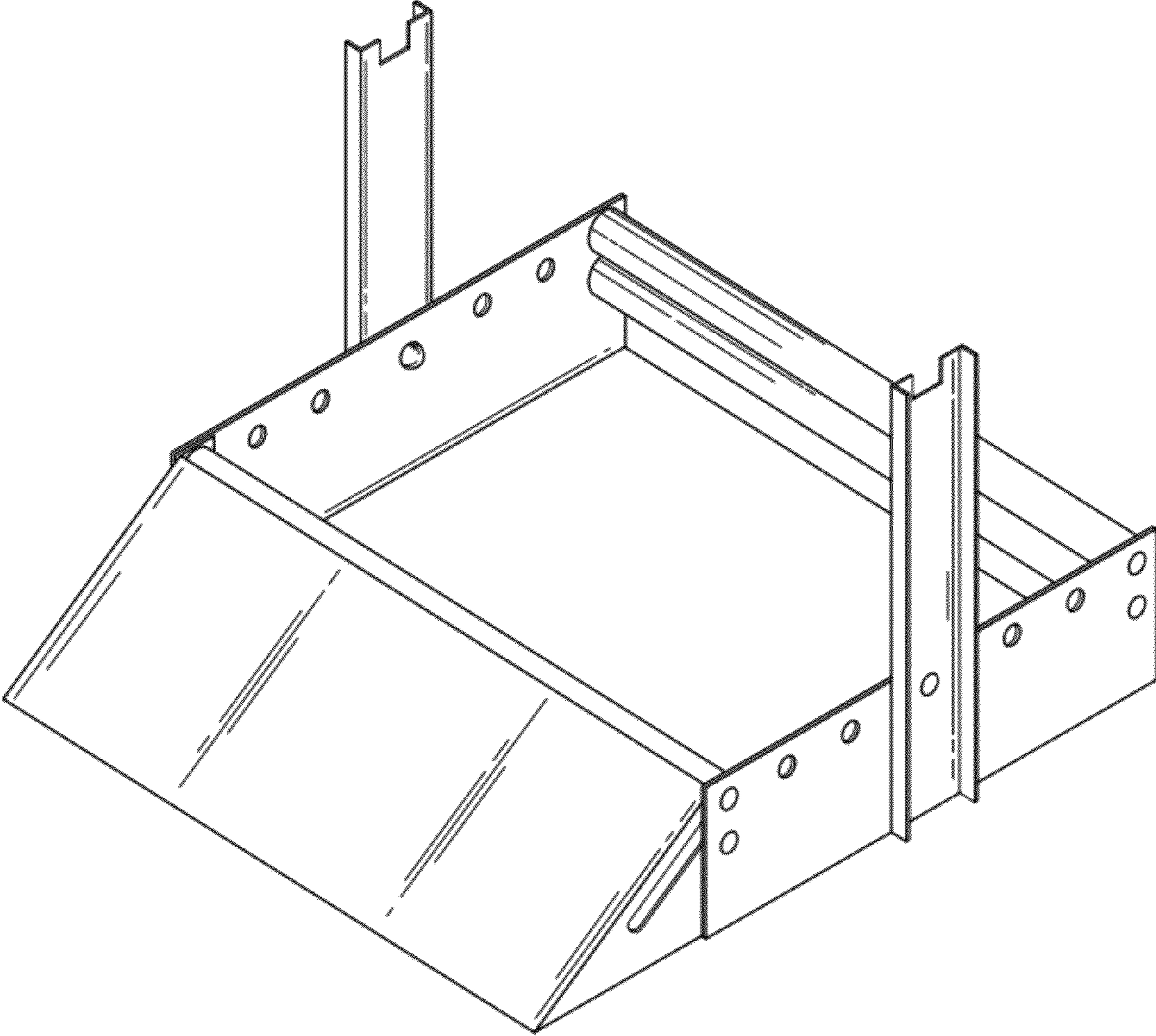


Fig. 1

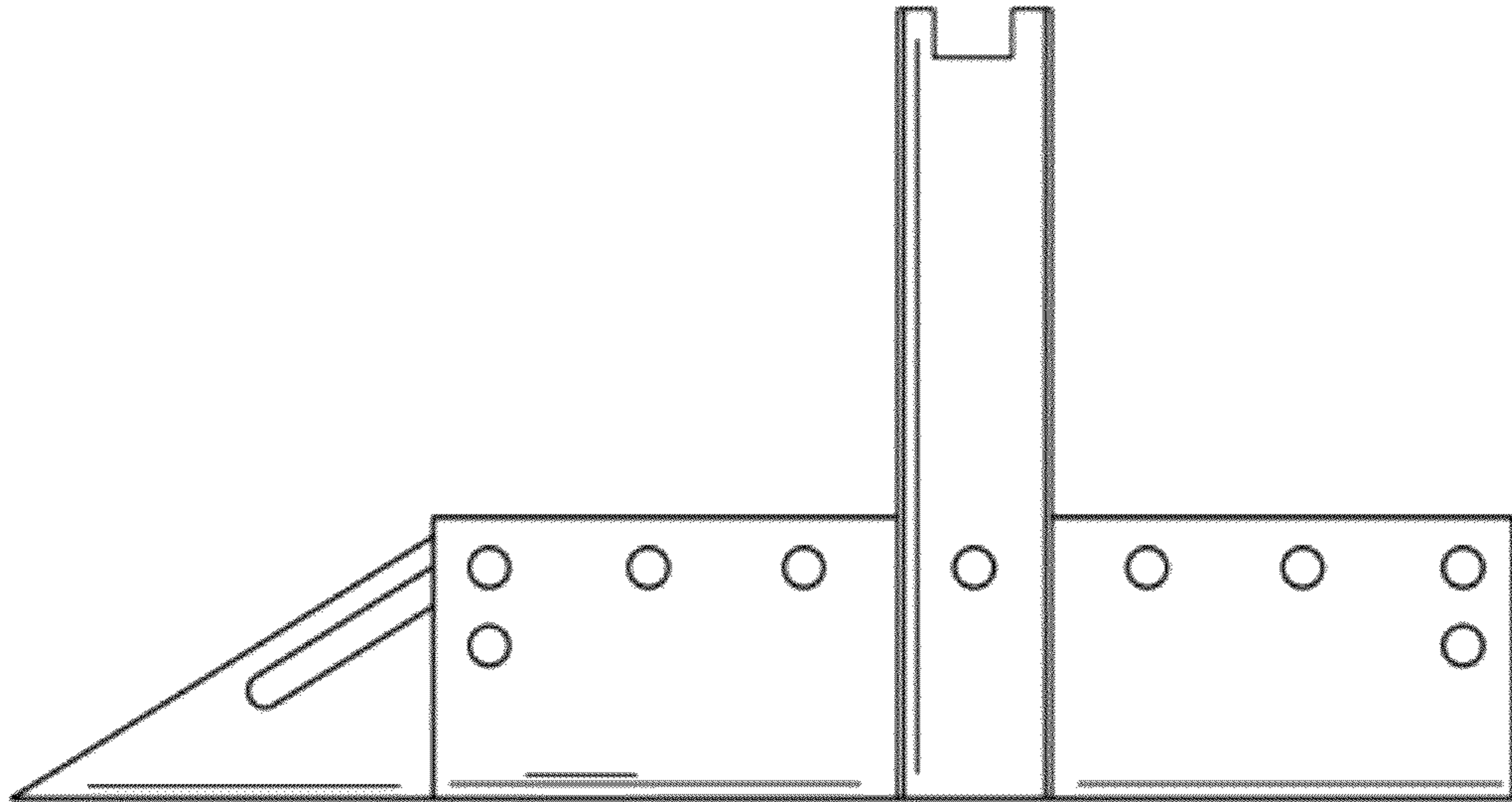


Fig. 2

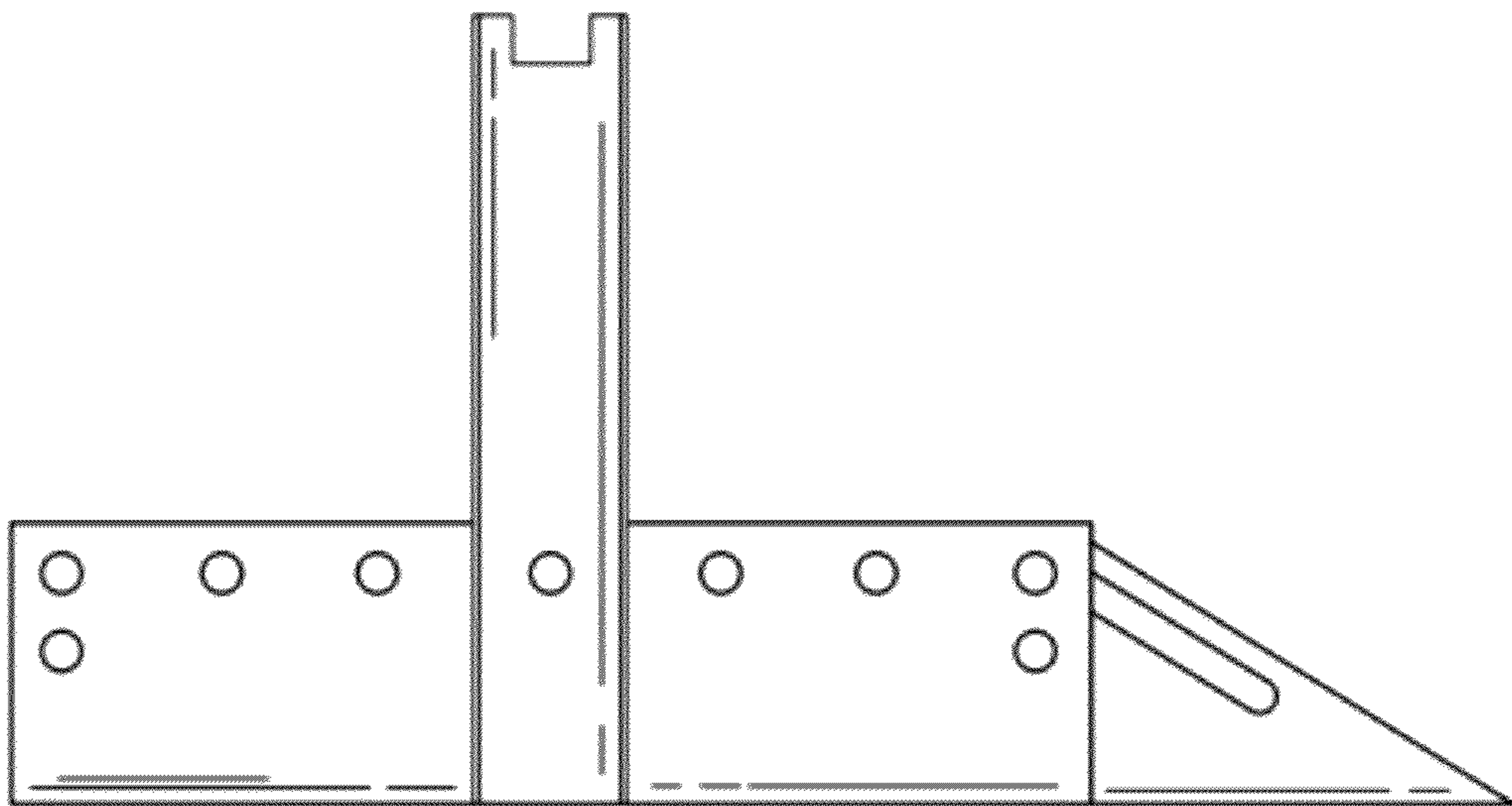


Fig. 3

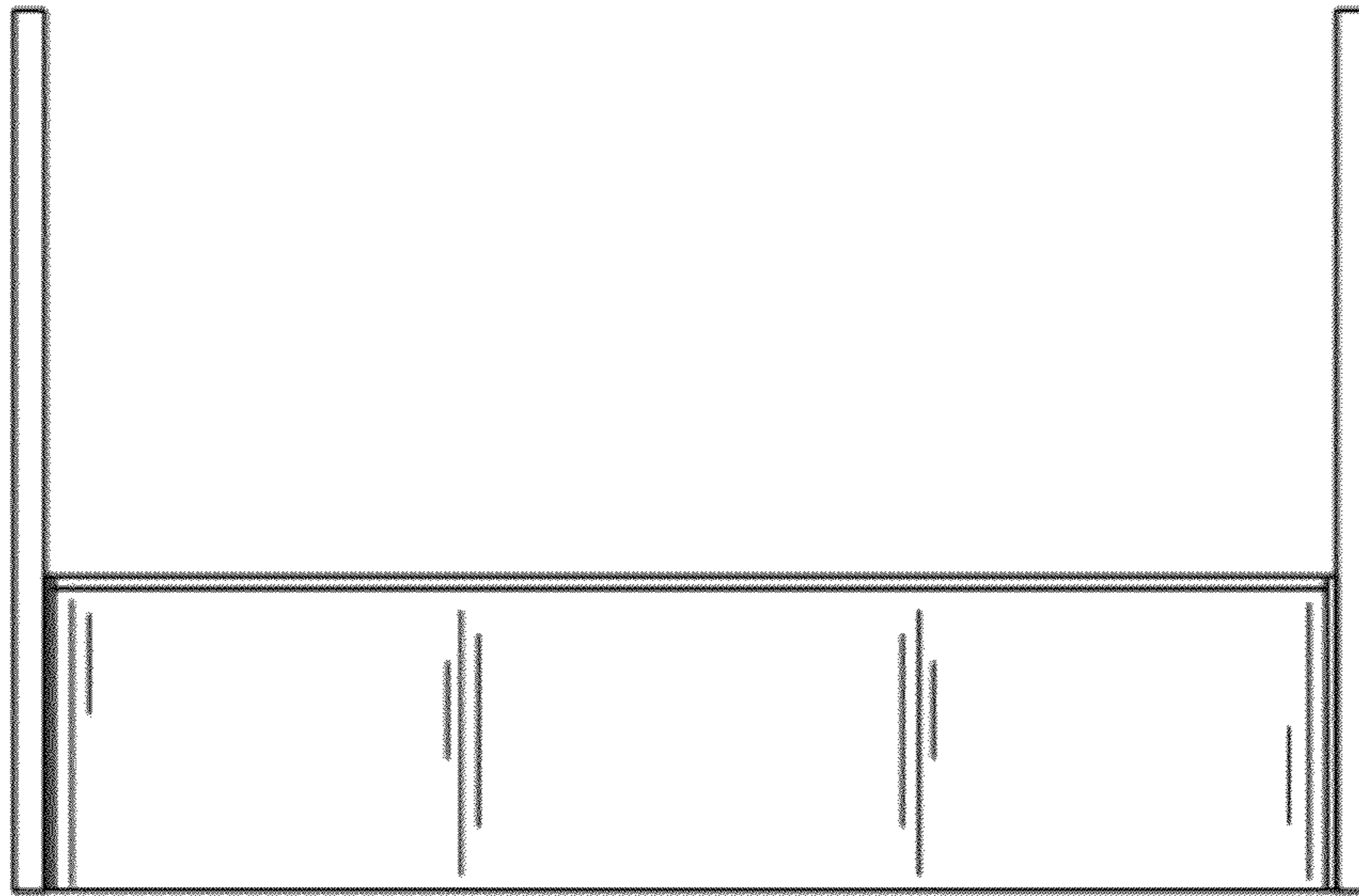


Fig. 4



Fig. 5

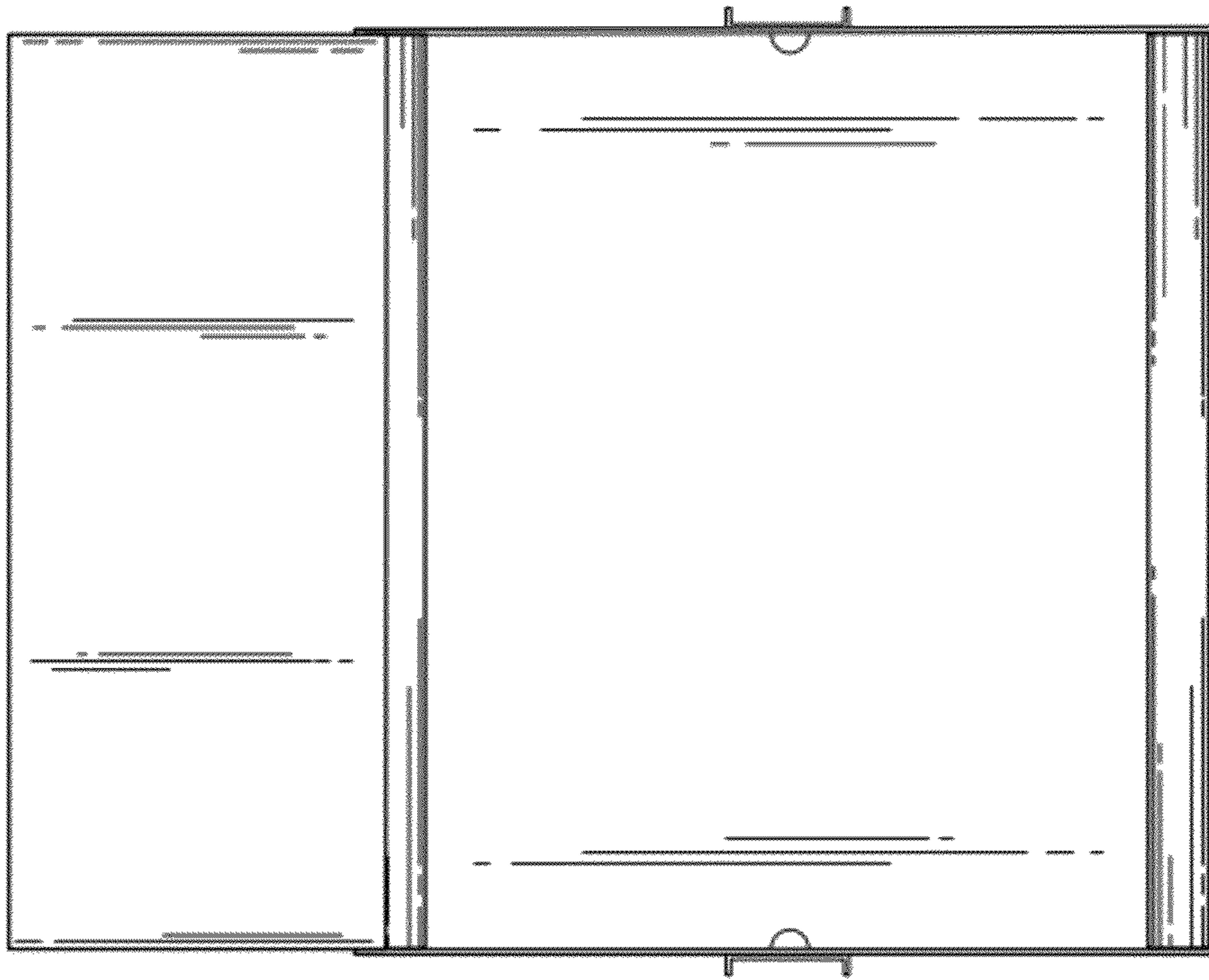


Fig. 6

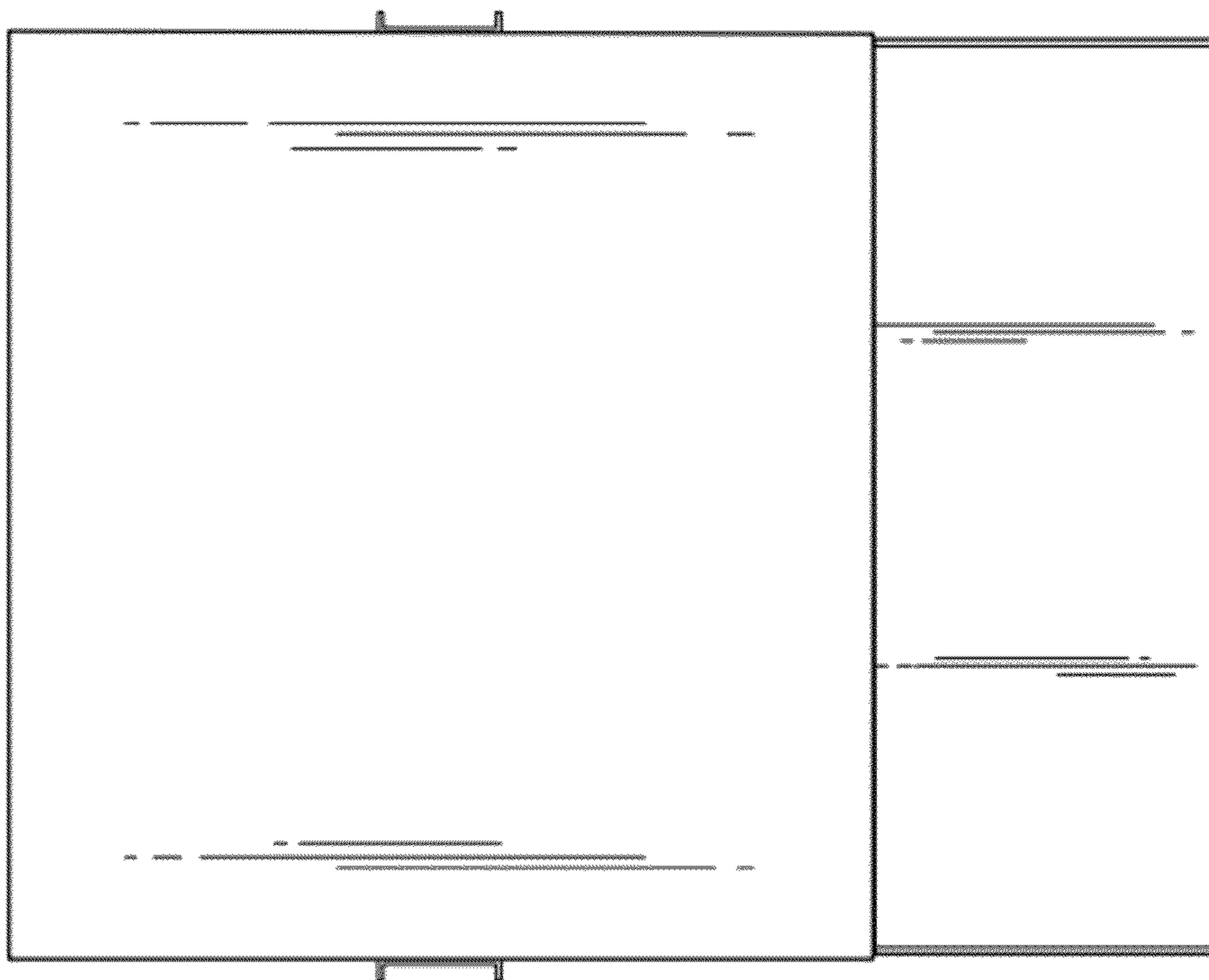


Fig. 7