



US00D672637S

(12) **United States Design Patent**  
**Chung et al.**

(10) **Patent No.:** **US D672,637 S**

(45) **Date of Patent:** **\*\* Dec. 18, 2012**

(54) **HOOK**

(75) Inventors: **Brian Hyuk Joon Chung**, Oakbrook Terrace, IL (US); **Richard J. Ernst**, San Diego, IL (US); **John P. Grimm**, Santee, CA (US); **Craig J. Zurko**, Bolingbrook, IL (US)

(73) Assignee: **Illinois Tool Works Inc.**, Glenview, IL (US)

(\*\*) Term: **14 Years**

(21) Appl. No.: **29/423,270**

(22) Filed: **May 30, 2012**

(51) **LOC (9) Cl.** ..... **08-05**

(52) **U.S. Cl.** ..... **D8/367**

(58) **Field of Classification Search** ..... D8/367,  
D8/353, 354, 349, 356, 352, 351, 381; D6/323;  
248/301, 304, 214, 215

See application file for complete search history.

(56) **References Cited**

**U.S. PATENT DOCUMENTS**

D260,852	S	*	9/1981	Loeschen	.....	D8/381
4,382,571	A	*	5/1983	Horen	.....	248/235
4,895,331	A	*	1/1990	Nehls	.....	248/245
D367,001	S	*	2/1996	Bright	.....	D8/381
D430,479	S	*	9/2000	McDonald	.....	D8/354
D447,683	S	*	9/2001	Grosfillex	.....	D8/381
D576,472	S	*	9/2008	Gaiardo	.....	D8/354
D611,801	S	*	3/2010	Chustak	.....	D8/355
D661,976	S	*	6/2012	Richter	.....	D8/354
D666,078	S	*	8/2012	Foley et al.	.....	D8/354

**OTHER PUBLICATIONS**

Gladiator GarageWorks GAGPUB2PPY Geartrack Pack for Garages, available at <http://www.amazon.com/Gladiator->

GarageWorks-GAGPUB2PPY-Geartrack-Garages/dp/B000KHPFEO/ref=sr\_1\_7?s=hi&ie=UTF8&qid=1333669469&sr=1-7, last visited May 30, 2012.  
OXO Good Grips Heavy Duty Wall-Mounted Organizer, available at [http://www.amazon.com/Good-Grips-Heavy-Wall-Mounted-Organizer/dp/B003DKKNBK/ref=sr\\_1\\_33?s=hi&ie=UTF8&qid=1333669491&sr=1-33](http://www.amazon.com/Good-Grips-Heavy-Wall-Mounted-Organizer/dp/B003DKKNBK/ref=sr_1_33?s=hi&ie=UTF8&qid=1333669491&sr=1-33), last visited May 30, 2012.  
Rubbermaid 8 pc fast track garage organization kit, available at [http://www.amazon.com/Rubbermaid-fast-track-garage-organization/dp/B004WAPOK0/ref=sr\\_1\\_70?s=hi&ie=UTF8&qid=1333669507&sr=1-70](http://www.amazon.com/Rubbermaid-fast-track-garage-organization/dp/B004WAPOK0/ref=sr_1_70?s=hi&ie=UTF8&qid=1333669507&sr=1-70), last visited May 30, 2012.

(Continued)

*Primary Examiner* — Cynthia Underwood

(74) *Attorney, Agent, or Firm* — Mark Croll; Patricia Chidiac; Beem Patent Law Firm

(57) **CLAIM**

The ornamental design for a hook, as shown and described.

**DESCRIPTION**

FIG. 1 is a perspective view of the top and one side of a hook showing our new design.

FIG. 2 is a perspective view of the underside of the hook of FIG. 1

FIG. 3 is a front view of the hook of FIG. 1.

FIG. 4 is a rear view of the hook of FIG. 1.

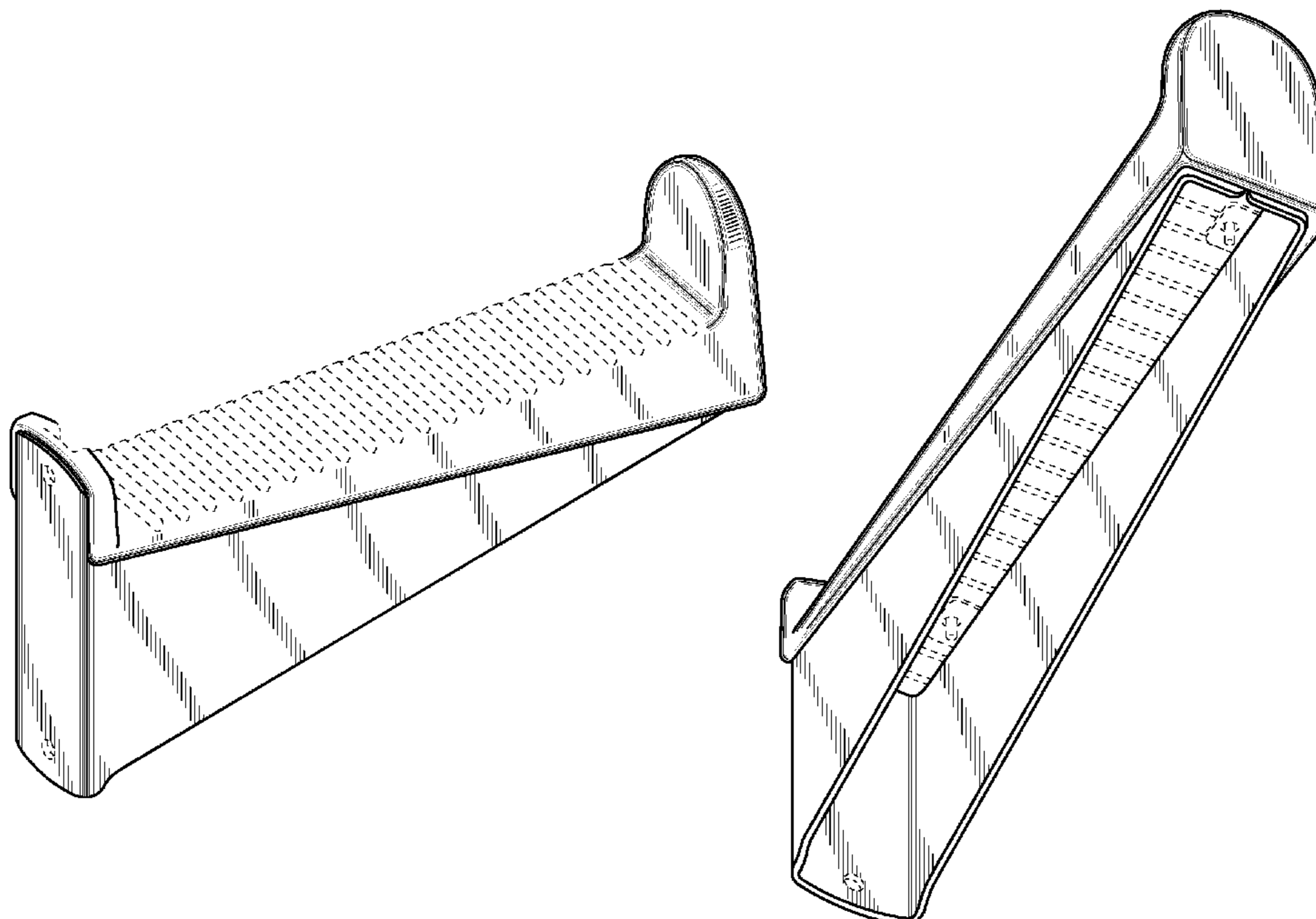
FIG. 5 is a top view of the hook of FIG. 1.

FIG. 6 is a side view of the hook of FIG. 1, the other side being a mirror image thereof; and,

FIG. 7 is a bottom view of the hook of FIG. 1.

The broken lines in the drawings represent unclaimed environmental subject matter.

**1 Claim, 2 Drawing Sheets**

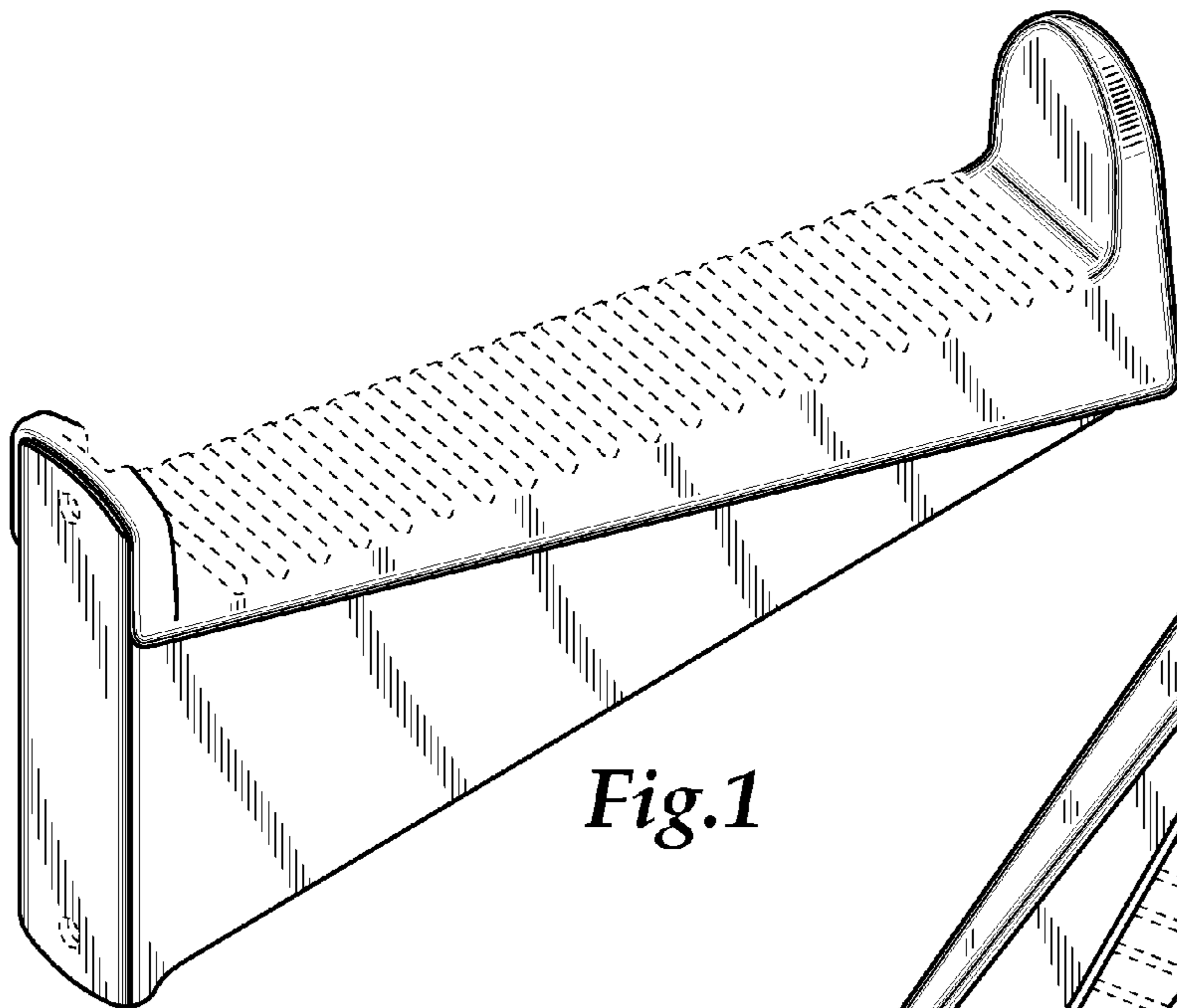


OTHER PUBLICATIONS

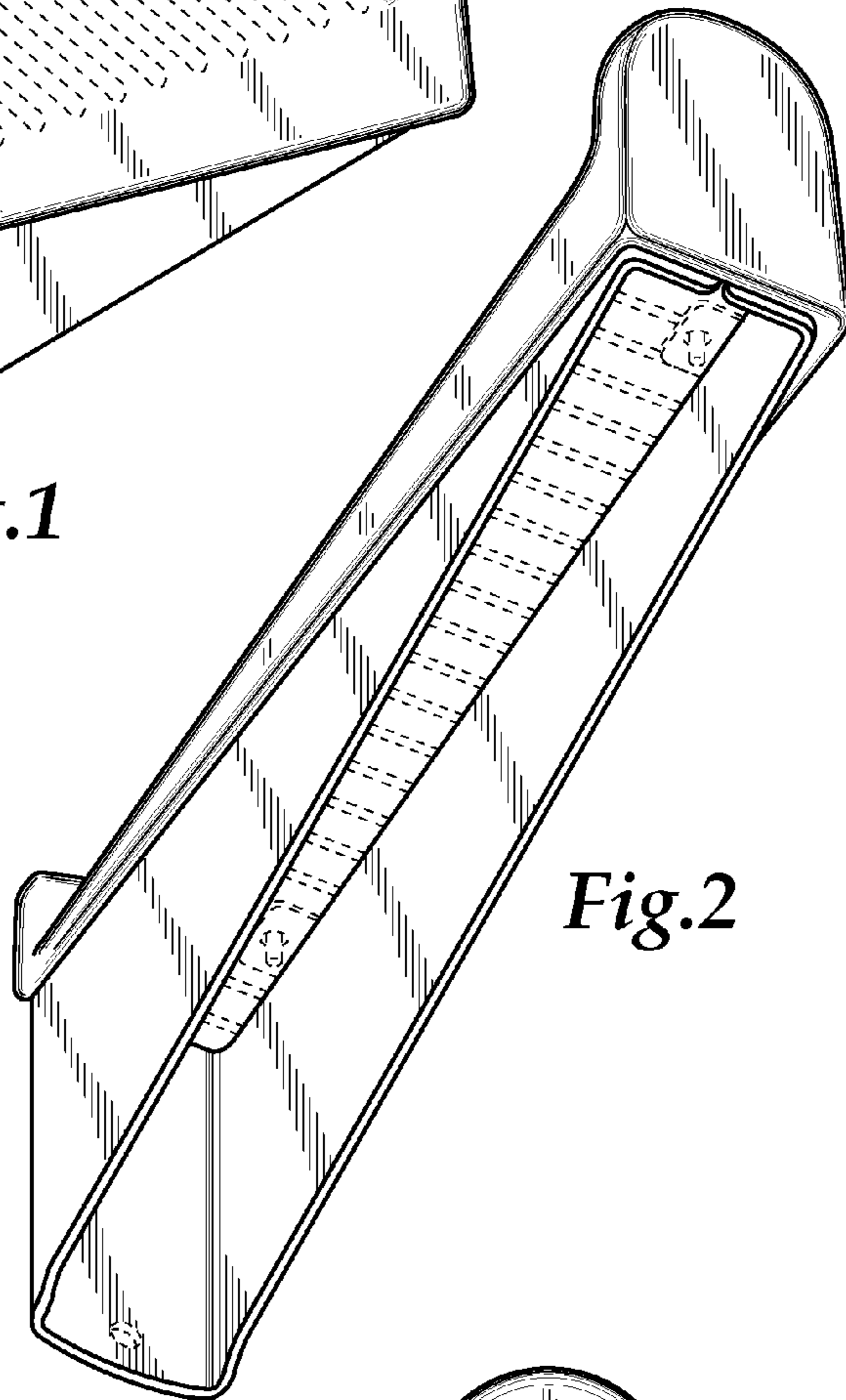
Gladiator GarageWorks GAWEXXDHS Deep Hook, available at [http://www.amazon.com/Gladiator-GarageWorks-GAWEXXDHS-Deep-Hook/dp/B000Q37V44/ref=sr\\_1\\_94?s=hi&ie=UTF8&qid=1333669522&sr=1-94](http://www.amazon.com/Gladiator-GarageWorks-GAWEXXDHS-Deep-Hook/dp/B000Q37V44/ref=sr_1_94?s=hi&ie=UTF8&qid=1333669522&sr=1-94), last visited May 30, 2012.

Schulte 7115-5613-50 Big Work Hook, Granite Gray, available at [http://www.amazon.com/SCHULTE-7115-5613-50-Work-Hook-Granite/dp/B000P0KMC6/ref=sr\\_1\\_1\\_101?s=hi&ie=UTF8&qid=1333669539&sr=1-101](http://www.amazon.com/SCHULTE-7115-5613-50-Work-Hook-Granite/dp/B000P0KMC6/ref=sr_1_1_101?s=hi&ie=UTF8&qid=1333669539&sr=1-101), last visited May 30, 2012.

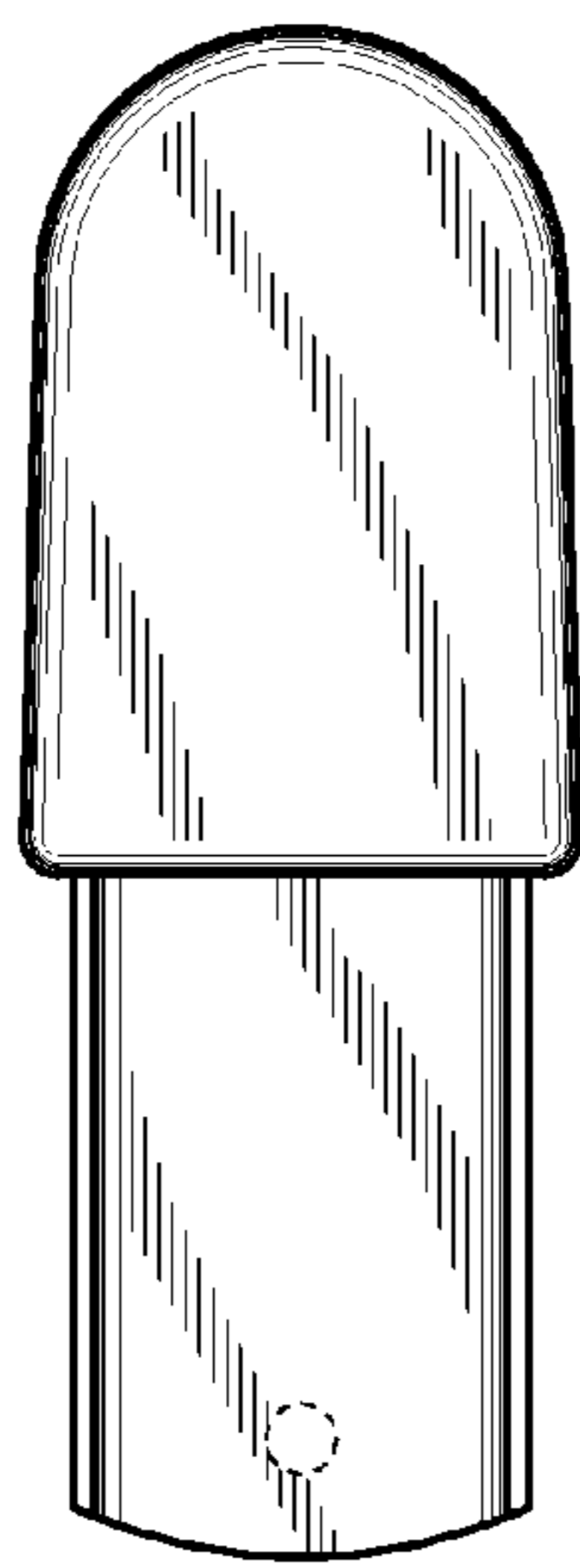
\* cited by examiner



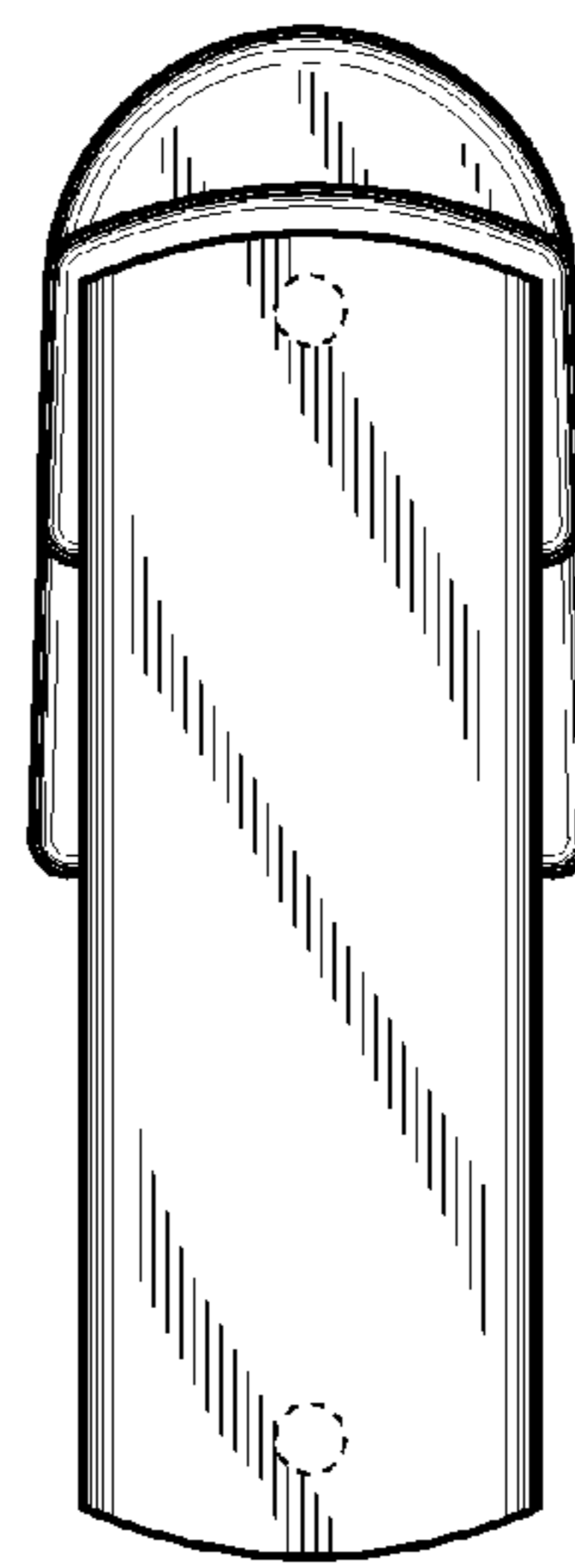
*Fig.1*



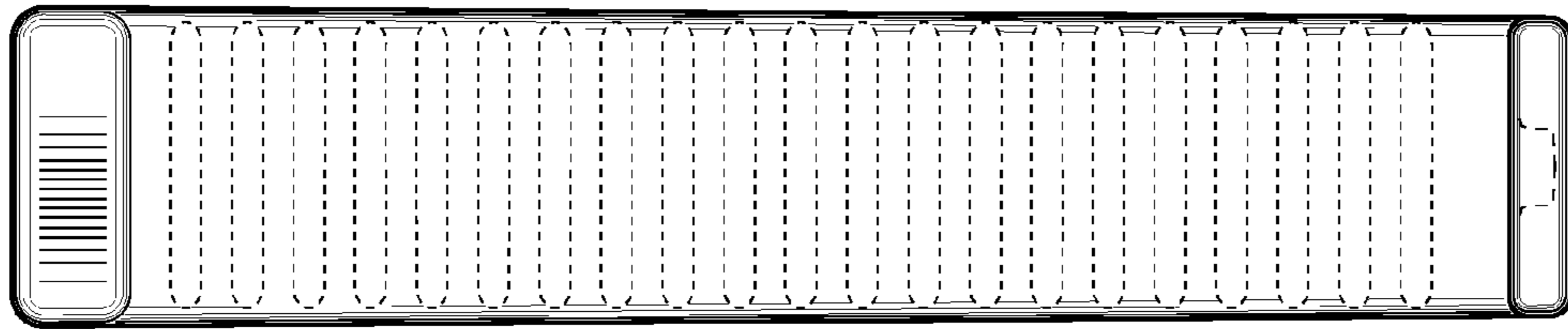
*Fig.2*



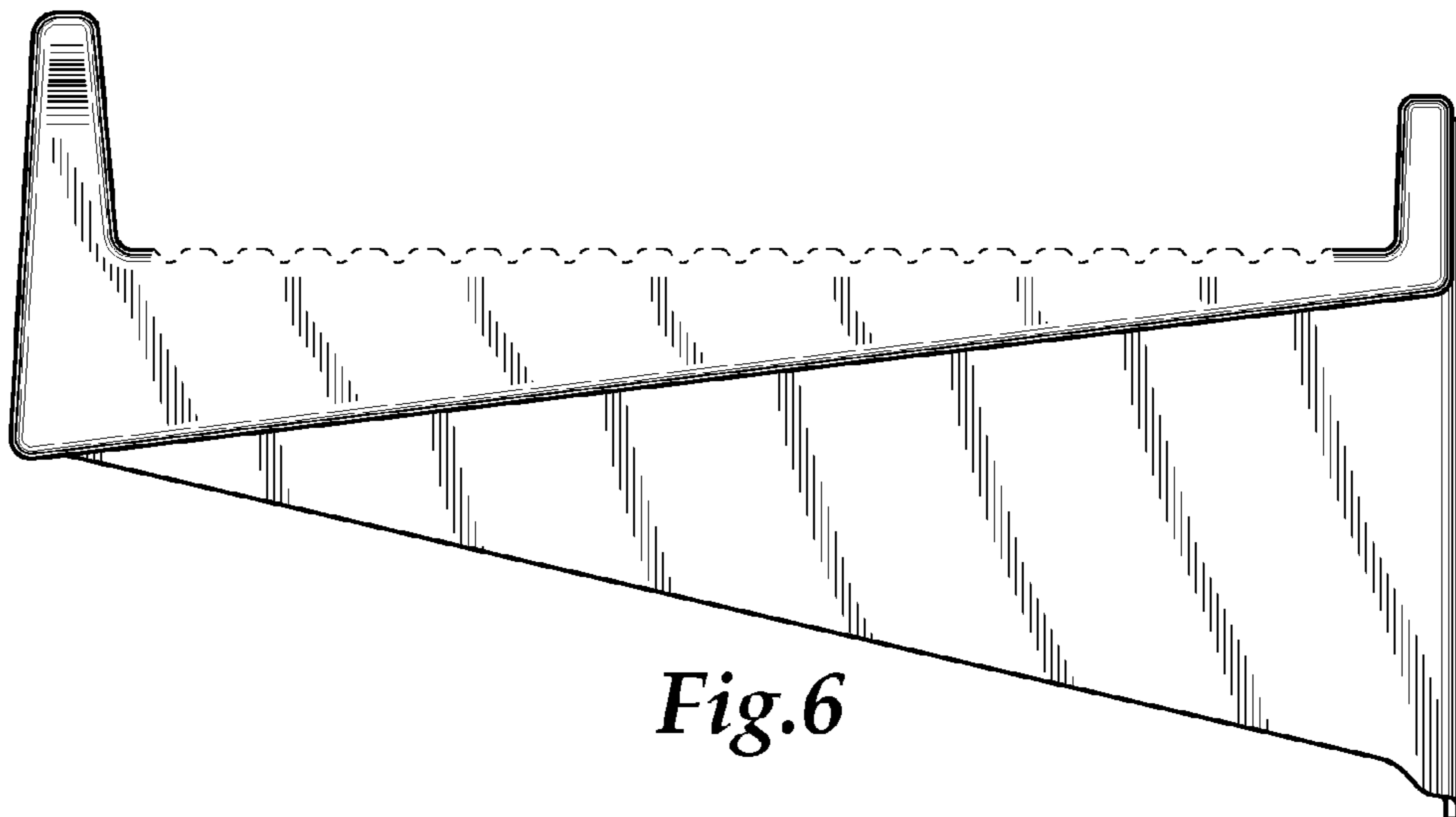
*Fig.3*



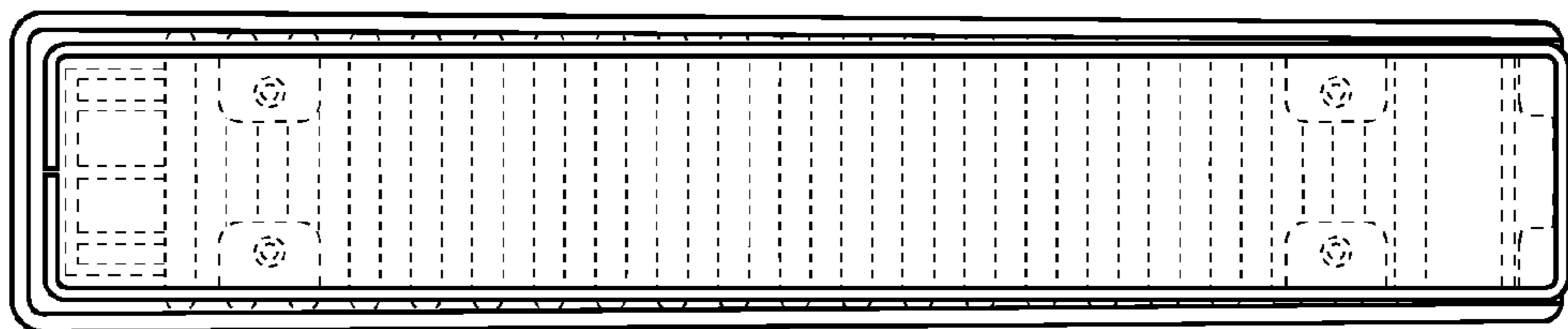
*Fig.4*



*Fig.5*



*Fig.6*



*Fig.7*